



US00D632306S

(12) **United States Design Patent**
Wang

(10) **Patent No.:** **US D632,306 S**

(45) **Date of Patent:** **** Feb. 8, 2011**

(54) **HAND OPERATED AIR PUMP**

7,789,638 B2 * 9/2010 Chuang 417/429

(76) Inventor: **Wei-Chi Wang**, 17-1 Fl., No. 457,
Cheng-Kung Rd., Tainan City (TW)

* cited by examiner

Primary Examiner—Ralf Seifert
(74) *Attorney, Agent, or Firm*—Rabin & Berdo, P.C.

(**) Term: **14 Years**

(21) Appl. No.: **29/366,099**

(57) **CLAIM**

(22) Filed: **Jul. 20, 2010**

The ornamental design for a hand operated air pump, as shown and described.

(51) **LOC (9) Cl.** **15-02**

(52) **U.S. Cl.** **D15/7**

(58) **Field of Classification Search** D15/7-9;
D23/231, 232, 225, 213; 417/410.1, 359,
417/415-416, 234, 321, 265, 405, 429
See application file for complete search history.

DESCRIPTION

FIG. 1 is a perspective view of a hand operated air pump, showing my new design;

FIG. 2 is a front view thereof;

FIG. 3 is a rear view thereof;

FIG. 4 is a left view thereof;

FIG. 5 is a right view thereof;

FIG. 6 is a top view thereof;

FIG. 7 is a rear perspective view thereof; and,

FIG. 8 is a bottom perspective view thereof.

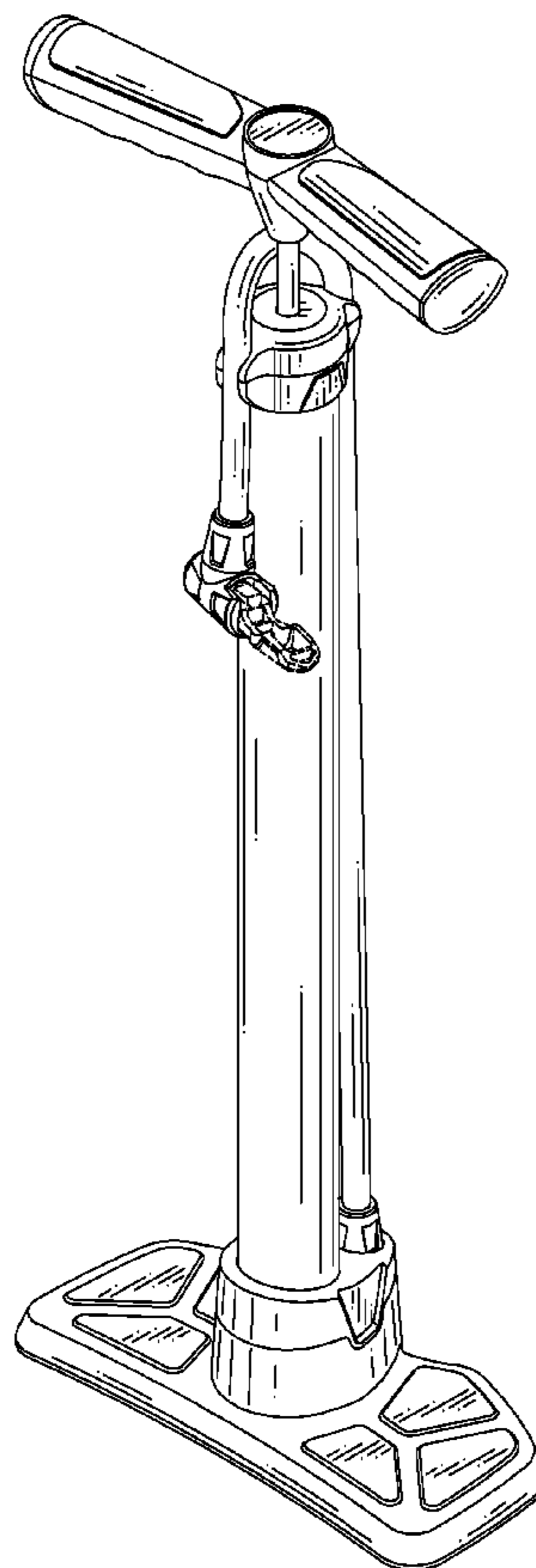
The broken lines on the drawings are shown for illustrative purposes only and form no part of the claimed design.

(56) **References Cited**

U.S. PATENT DOCUMENTS

| | | | | | |
|-----------|------|---------|-----------------|-------|----------|
| 3,786,730 | A * | 1/1974 | Linderholm | | 92/169.1 |
| D323,876 | S * | 2/1992 | Furusawa | | D23/231 |
| D343,397 | S * | 1/1994 | Wang | | D15/7 |
| D351,896 | S * | 10/1994 | Sundheim et al. | | D23/231 |
| D452,726 | S * | 1/2002 | Tsai | | D23/231 |
| 6,814,552 | B2 * | 11/2004 | Wu | | 417/440 |
| 7,040,355 | B2 * | 5/2006 | Wu | | 141/38 |
| 7,331,768 | B2 * | 2/2008 | Wu | | 417/63 |
| D596,202 | S * | 7/2009 | van der Blom | | D15/7 |

1 Claim, 8 Drawing Sheets



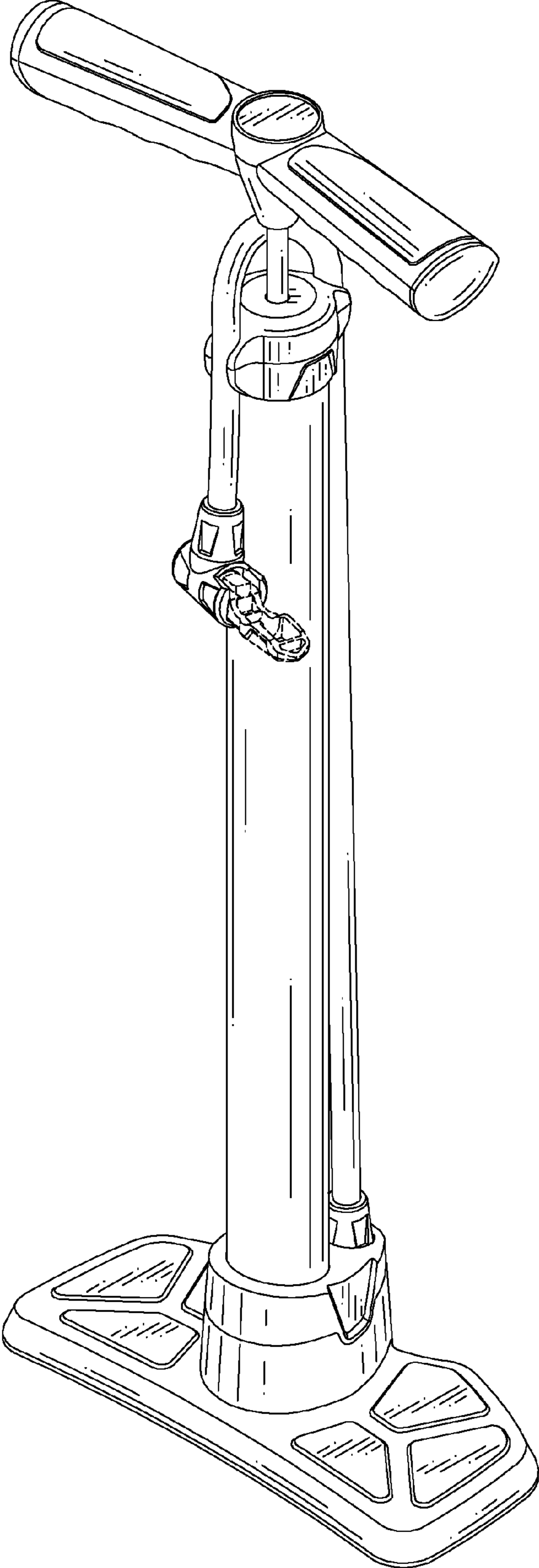


FIG.1

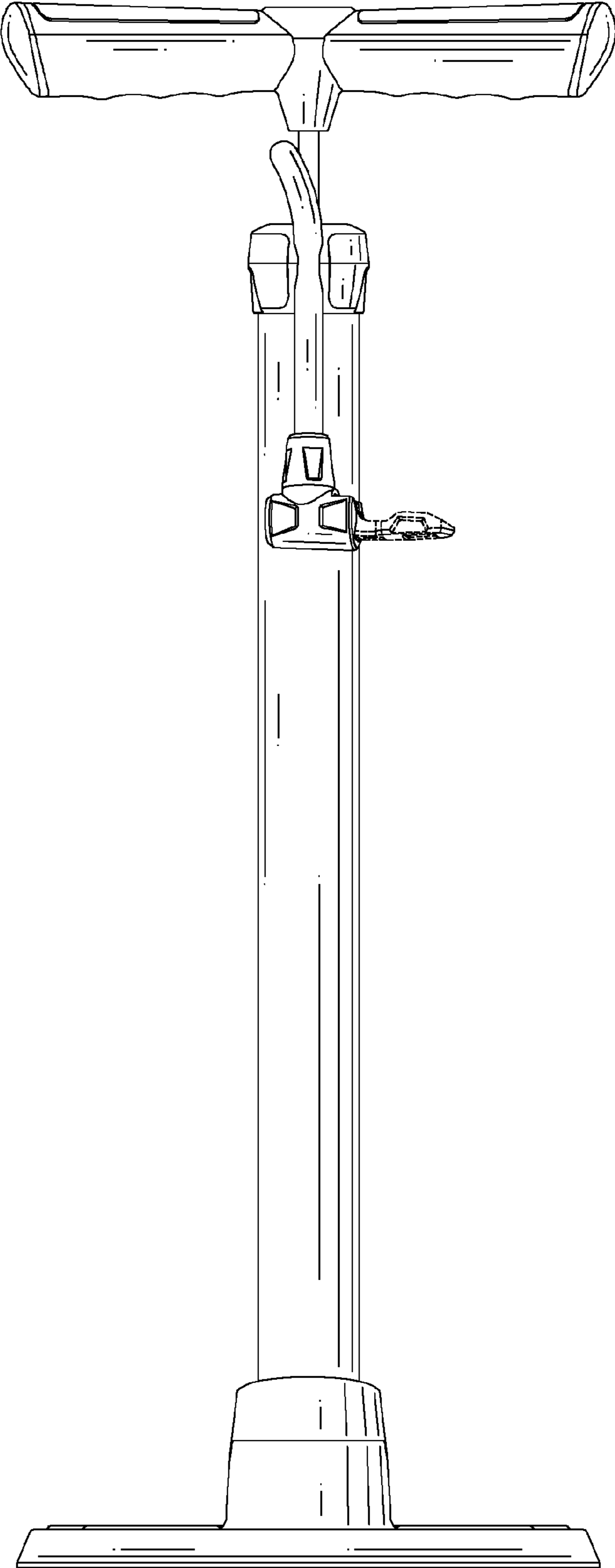


FIG.2

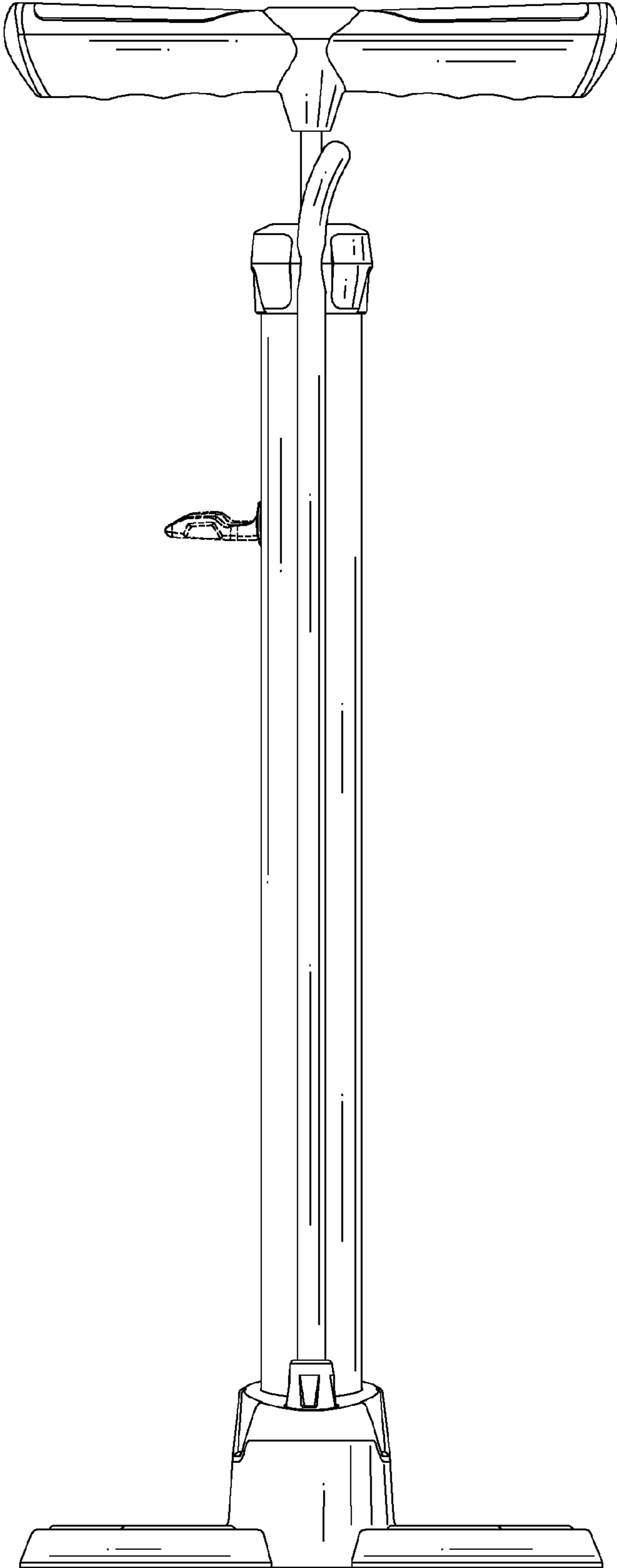


FIG.3

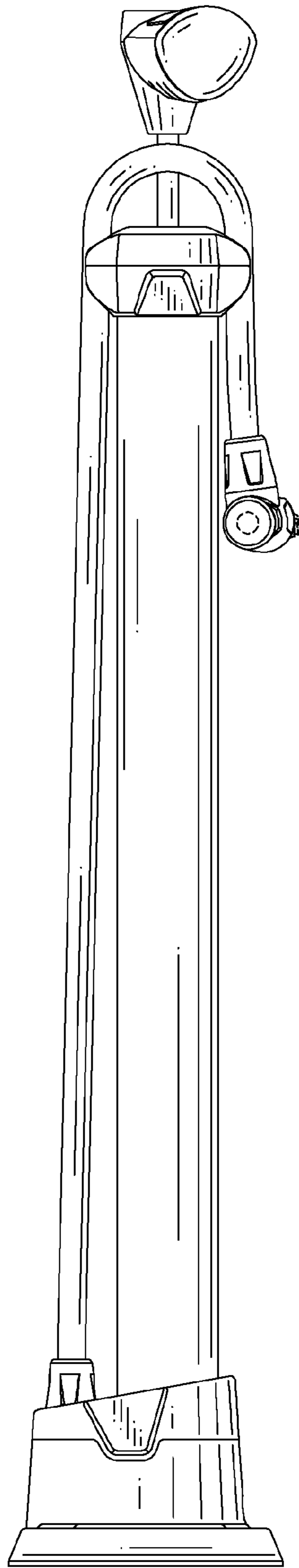


FIG.4

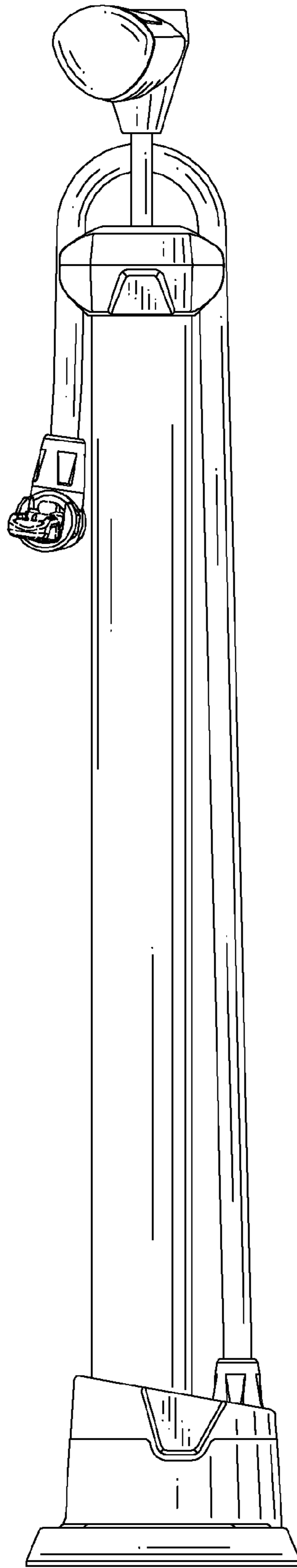


FIG.5

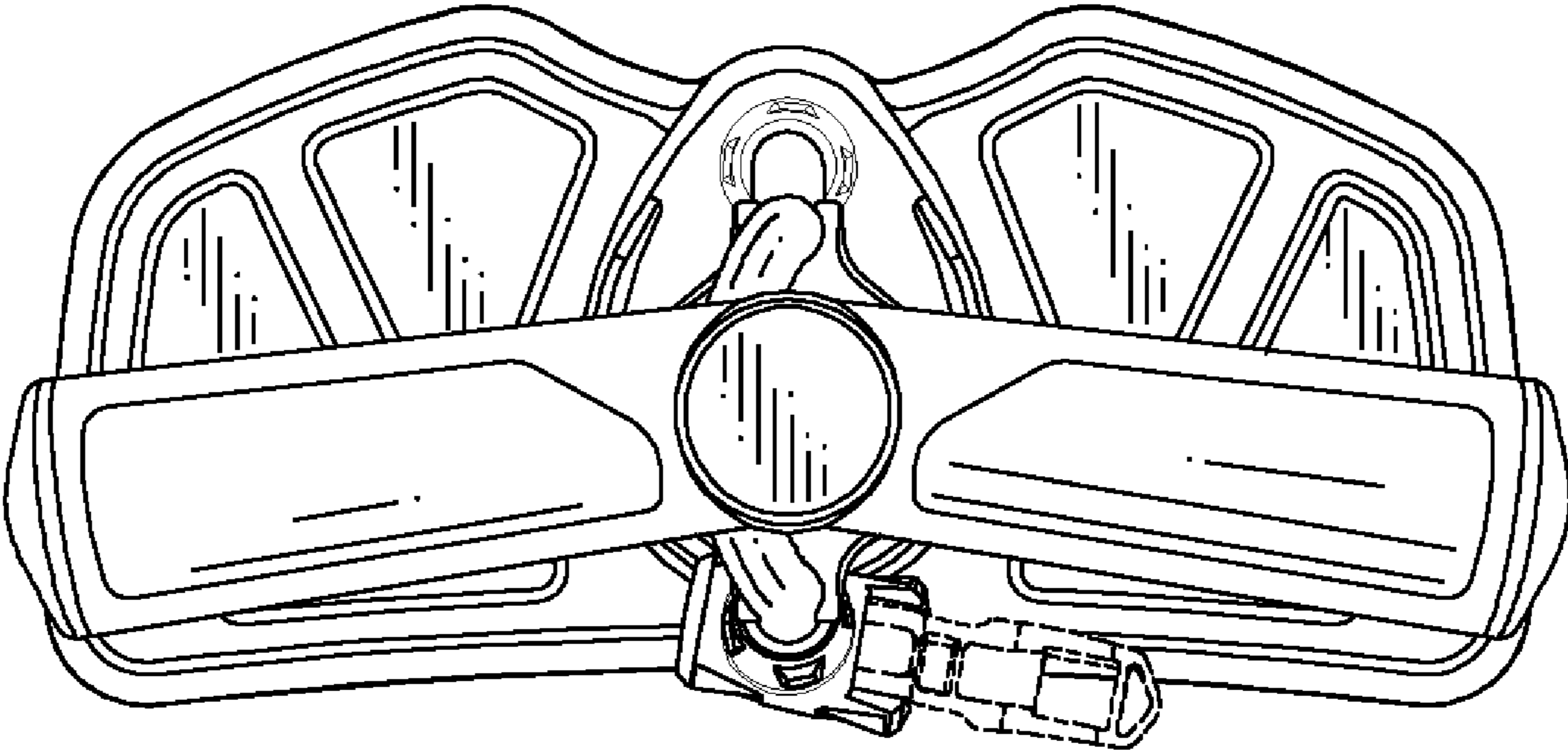


FIG.6

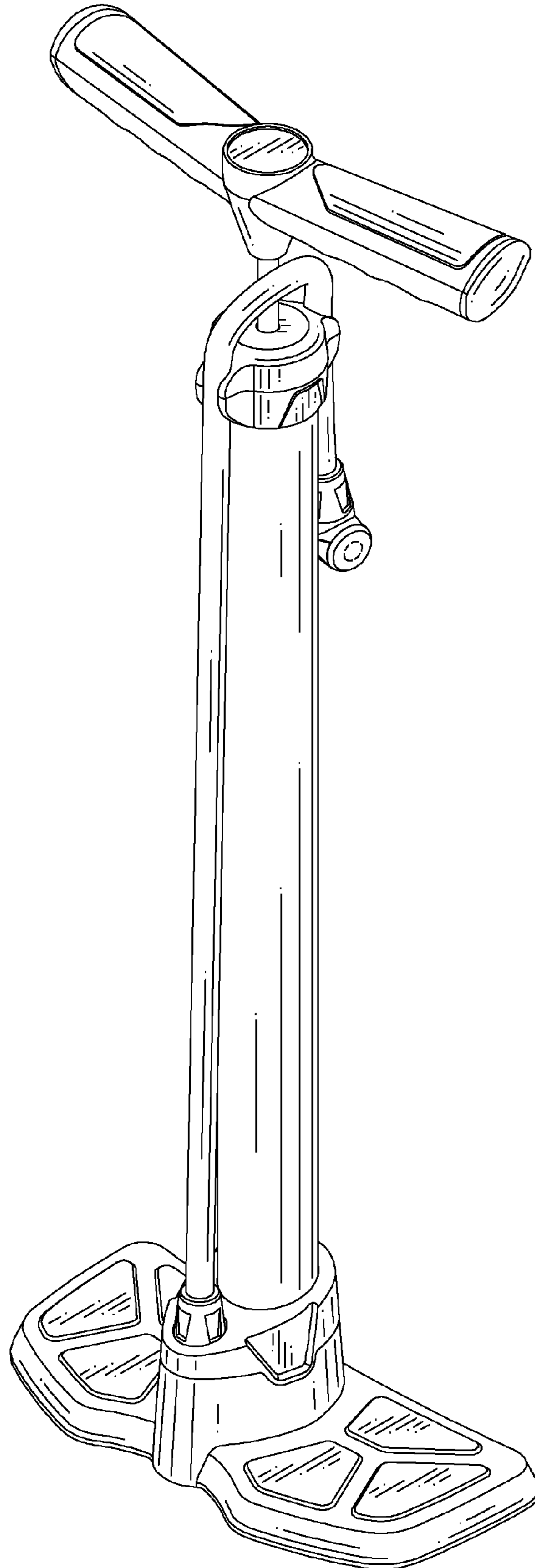


FIG.7

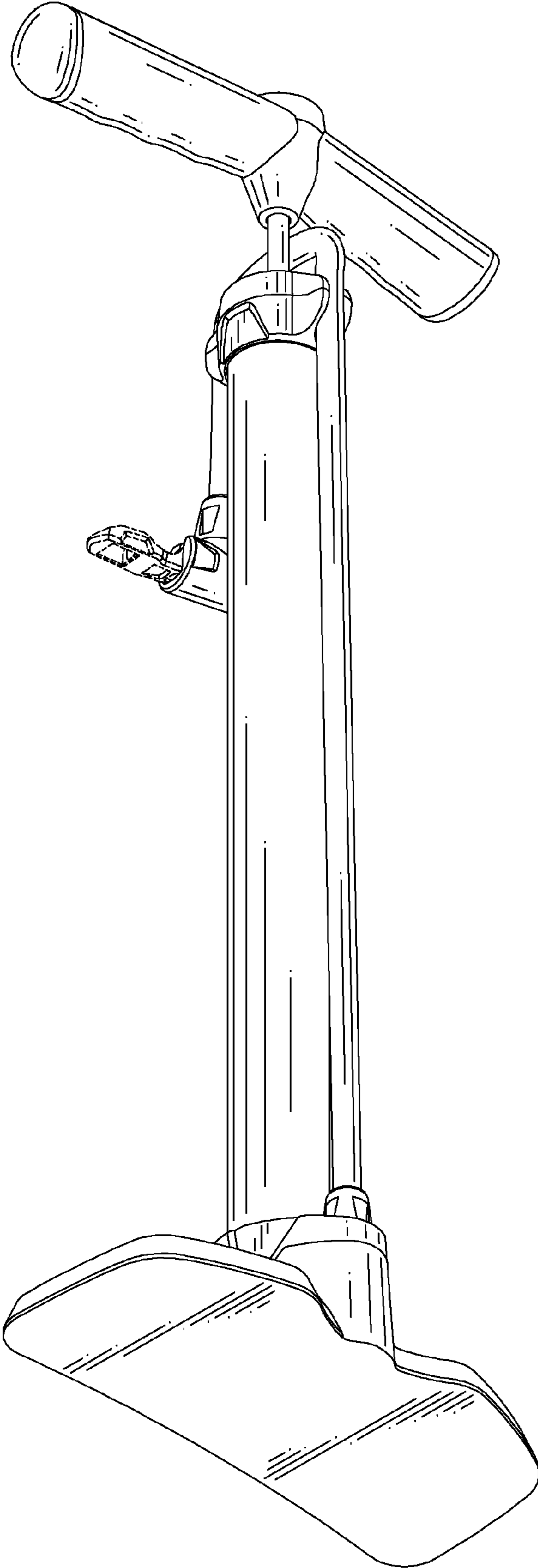


FIG.8