



US00D632301S

(12) **United States Design Patent**  
**Kasuga et al.**

(10) **Patent No.:** **US D632,301 S**

(45) **Date of Patent:** **\*\* Feb. 8, 2011**

(54) **DISPLAY**

2008/0265114 A1\* 10/2008 Moscovitch ..... 248/176.3  
2010/0128423 A1\* 5/2010 Moscovitch ..... 361/679.01

(75) Inventors: **Hiroyuki Kasuga**, Minato-ku (JP);  
**Yoshihito Mochizuki**, Minato-ku (JP);  
**Hsi-Ming Chen**, Minato-ku (JP); **Naoto**  
**Fukasawa**, Shibuya-ku (JP)

(73) Assignee: **NEC Display Solutions, Ltd.**, Tokyo  
(JP)

(\*\*) Term: **14 Years**

(21) Appl. No.: **29/358,238**

(22) Filed: **Mar. 24, 2010**

(51) **LOC (9) Cl.** ..... **08-07**

(52) **U.S. Cl.** ..... **D14/452**

(58) **Field of Classification Search** ..... D14/447,  
D14/451, 452, 239, 432, 434, 439, 448, 457,  
D14/251, 253, 224, 224.1, 126, 127, 371,  
D14/373, 374, 375; D8/363, 373, 380; 248/917,  
248/918, 919, 920, 921, 922, 923, 924, 441.1,  
248/460, 122.1, 125.7, 371, 176.1, 176.3,  
248/222.52, 276.1, 324; 361/679.06, 679.04,  
361/679.21, 679.22, 679.56

See application file for complete search history.

(56) **References Cited**

**U.S. PATENT DOCUMENTS**

6,554,238 B1\* 4/2003 Hibberd ..... 248/278.1  
6,695,270 B1\* 2/2004 Smed ..... 248/274.1  
7,246,780 B2\* 7/2007 Oddsen, Jr. .... 248/282.1  
D599,855 S \* 9/2009 Soodeen et al. .... D19/59  
D604,708 S \* 11/2009 Ichikawa ..... D14/127  
7,742,289 B2\* 6/2010 Quijano et al. .... 361/679.21  
2003/0015632 A1\* 1/2003 Dunn et al. .... 248/122.1  
2003/0231460 A1\* 12/2003 Moscovitch ..... 361/681  
2008/0117578 A1\* 5/2008 Moscovitch ..... 361/681  
2008/0173774 A1\* 7/2008 Saez et al. .... 248/124.1  
2008/0225472 A1\* 9/2008 Chih ..... 361/681

**OTHER PUBLICATIONS**

Paramount Parabolic Multi-Monitor Display by Humanscale, [http://www.newlaunches.com/archives/paramount\\_parabolic\\_multimonitor\\_display\\_by\\_humanscale.php](http://www.newlaunches.com/archives/paramount_parabolic_multimonitor_display_by_humanscale.php), viewed on Sep. 16, 2010, posted on Feb. 25, 2008.\*

\* cited by examiner

*Primary Examiner*—Angela J Lee

(74) *Attorney, Agent, or Firm*—Sughrue Mion, PLLC

(57) **CLAIM**

The ornamental design for a display, as shown and described.

**DESCRIPTION**

FIG. 1 is a front, left side, top perspective view of a display showing our new design;

FIG. 2 is a front elevational view thereof;

FIG. 3 is a rear elevational view thereof;

FIG. 4 is a left side view thereof;

FIG. 5 is a right side view thereof;

FIG. 6 is a top plan view thereof;

FIG. 7 is a bottom plan view thereof;

FIG. 8 is a rear perspective view thereof;

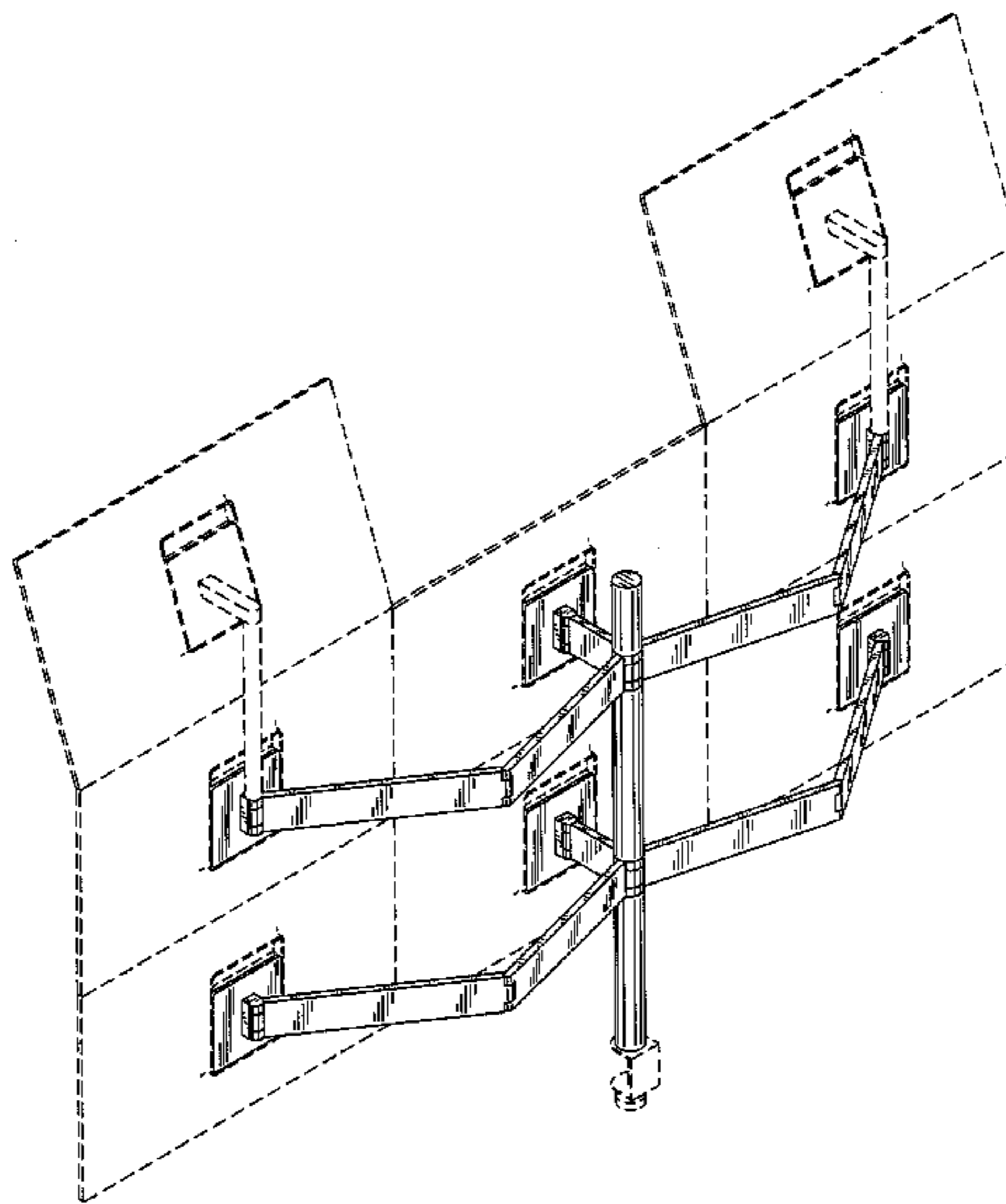
FIG. 9 is an enlarged cross-sectional view thereof, taken along the line 9—9 of FIG. 2;

FIG. 10 is a perspective view thereof showing a state in which screen monitors are inclined; and,

FIG. 11 is a top plan view thereof showing a state in which screen monitors are inclined.

The portions in broken lines are shown for illustrative purposes only and form no part of the claimed design.

**1 Claim, 10 Drawing Sheets**



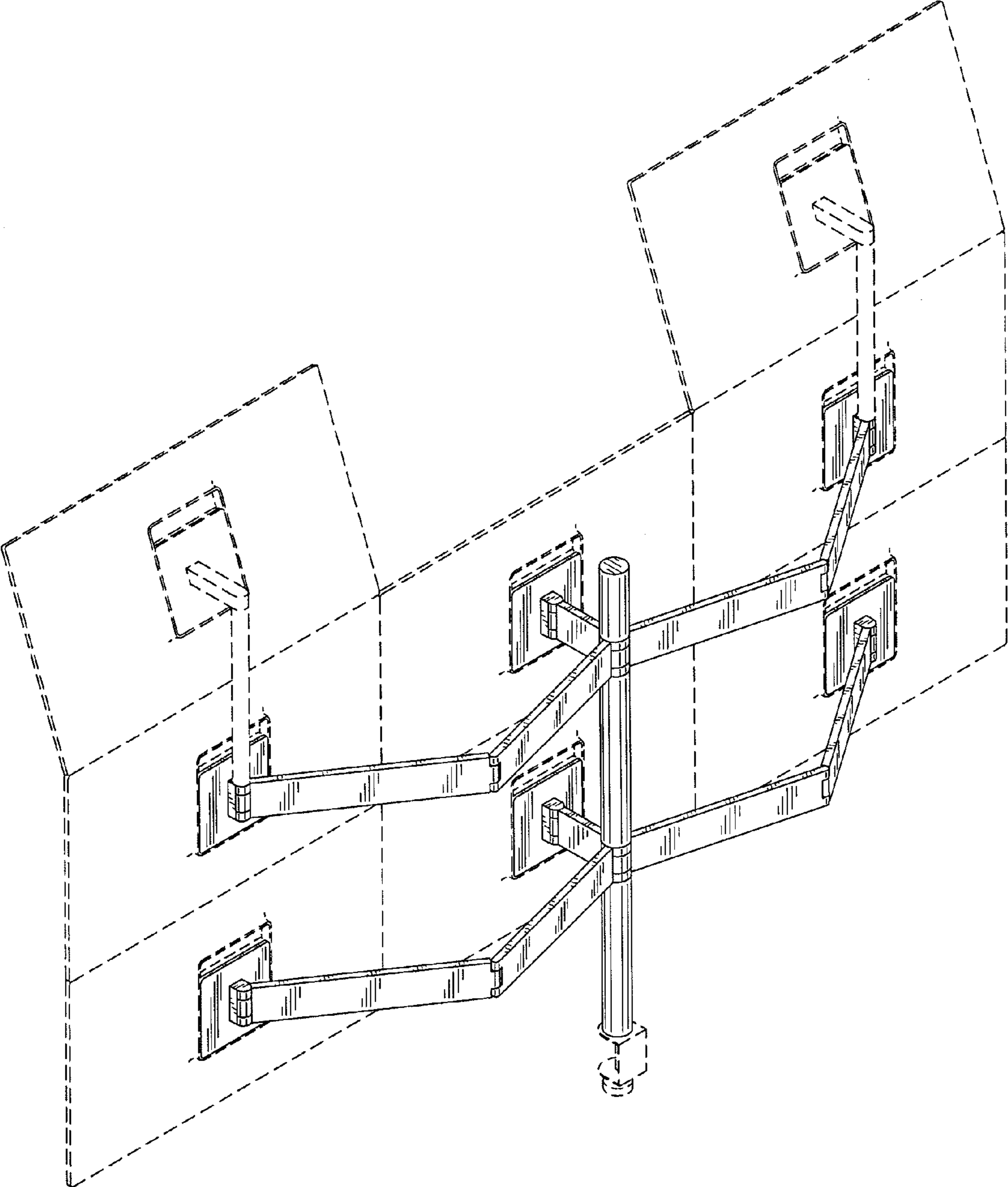


FIG. 1

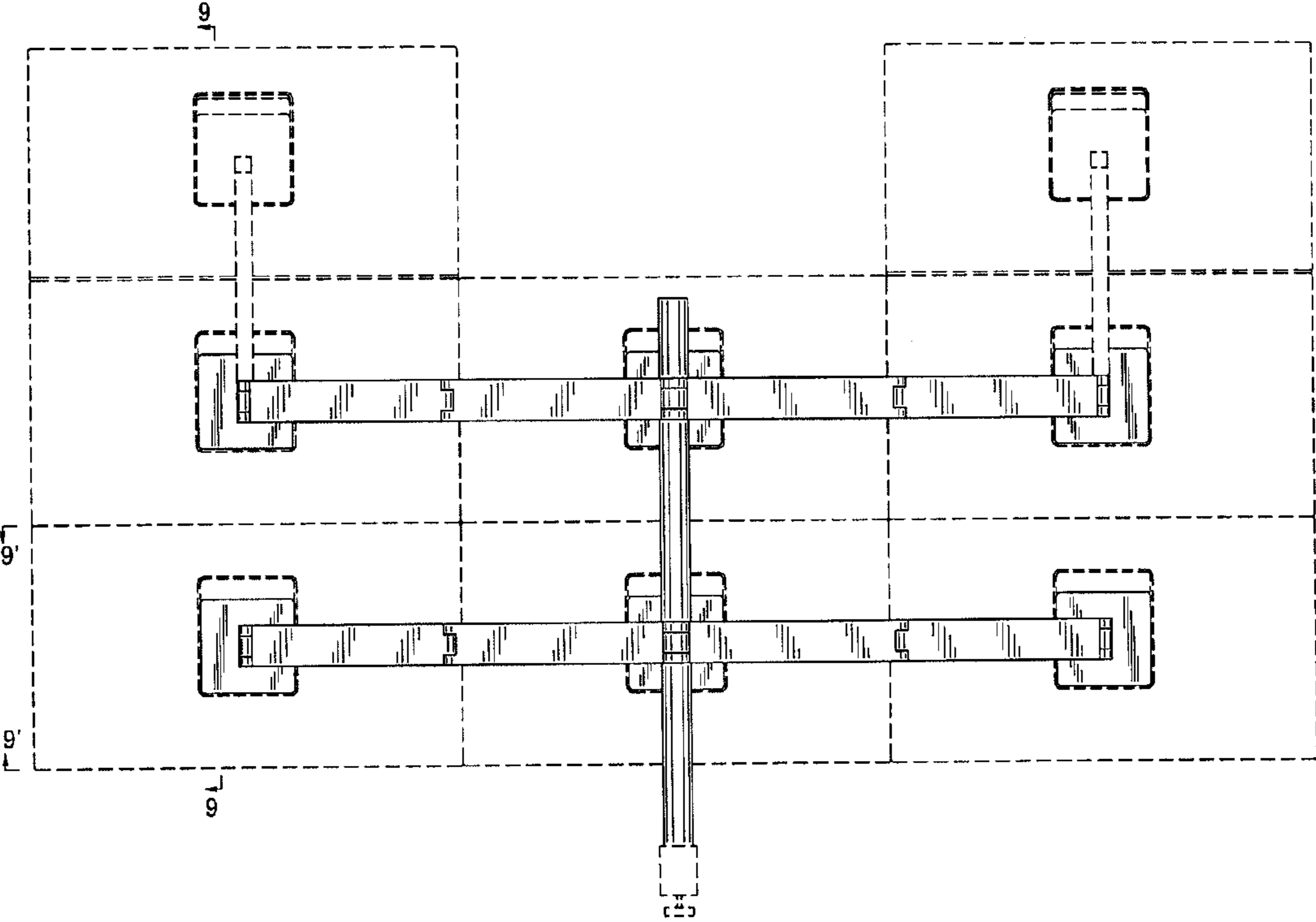


FIG. 2

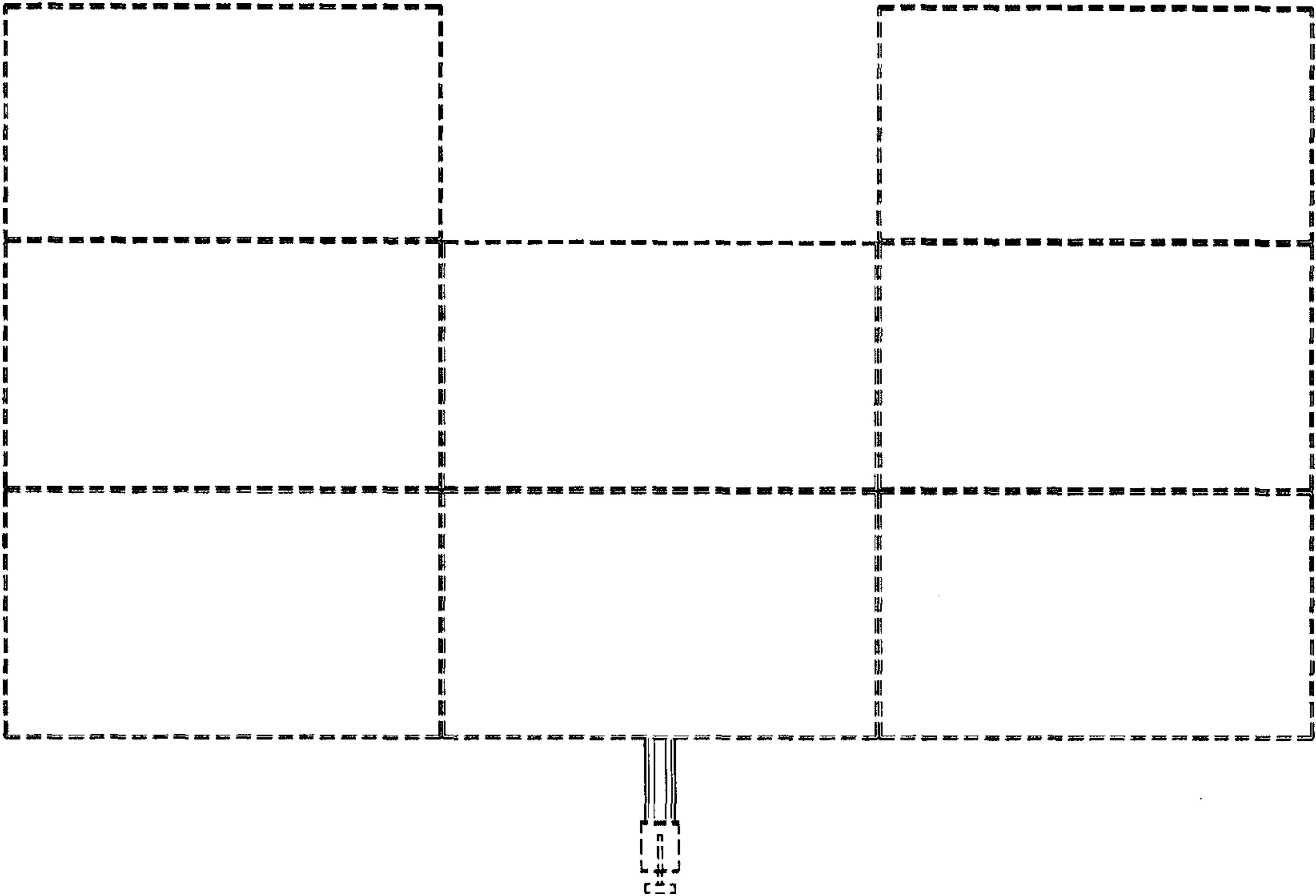


FIG. 3

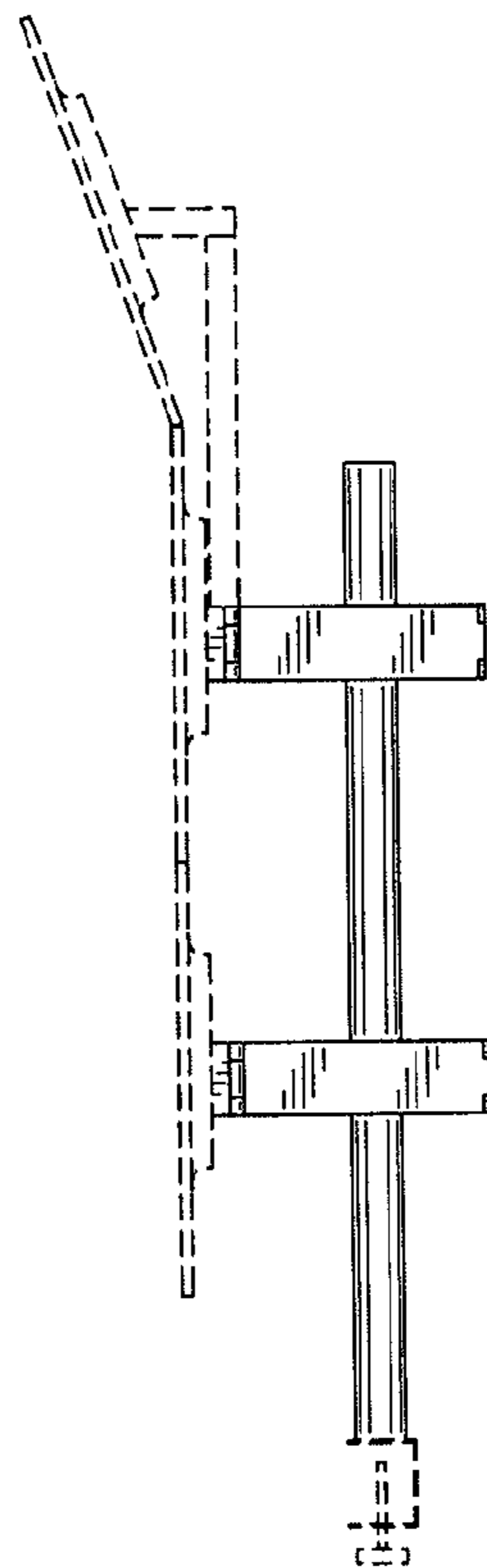


FIG. 4

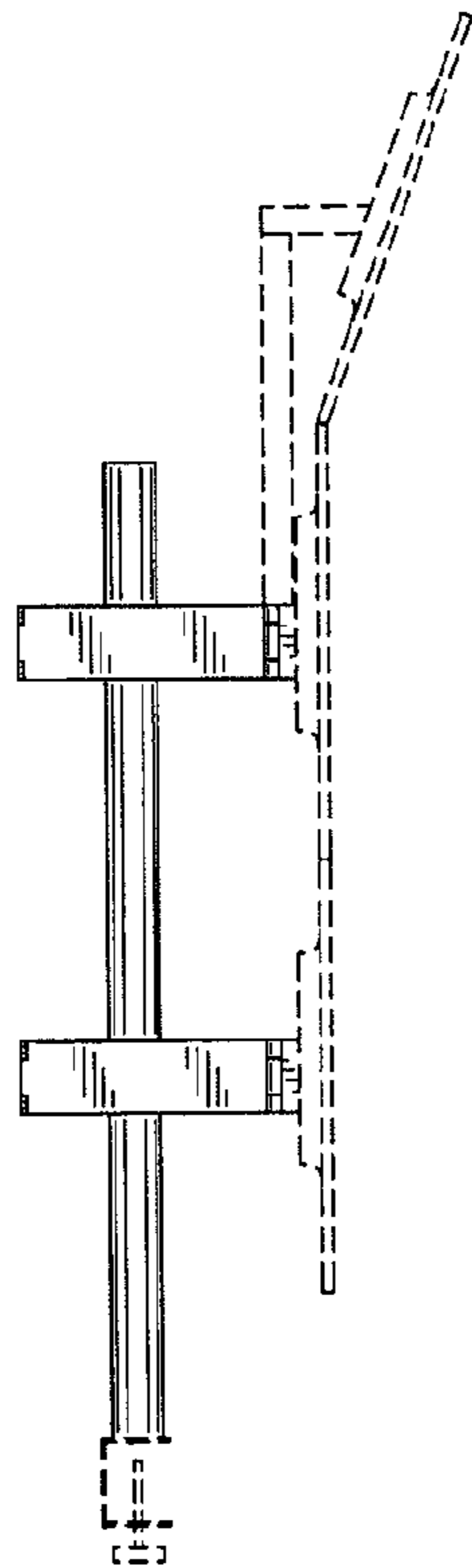


FIG. 5

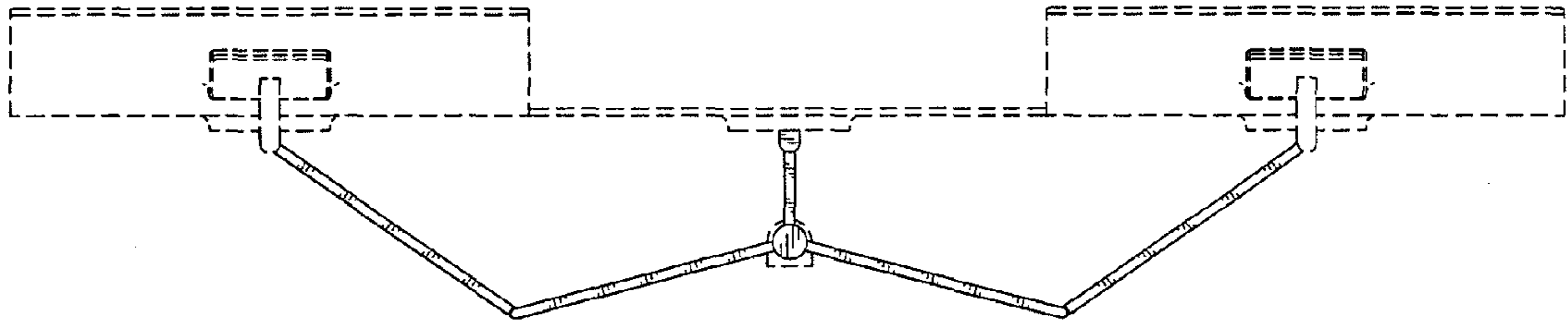


FIG. 6

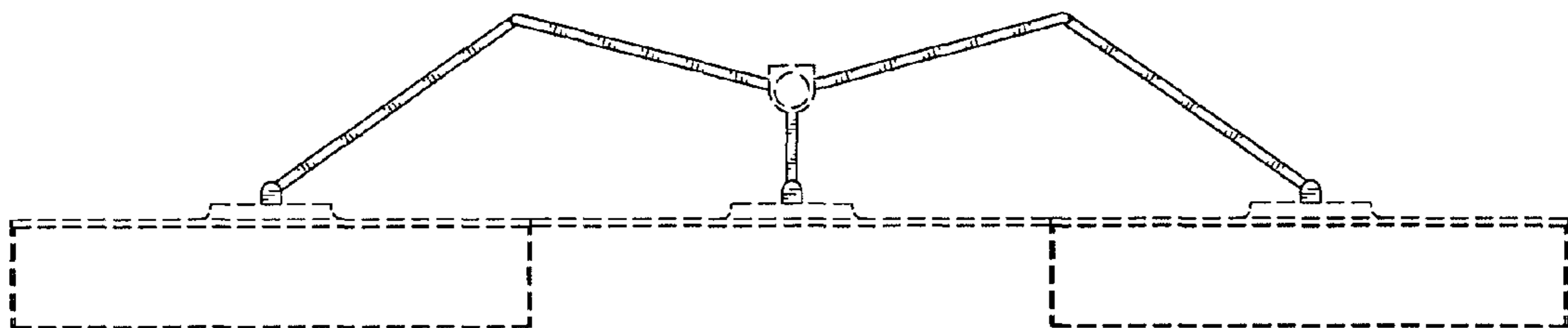


FIG. 7



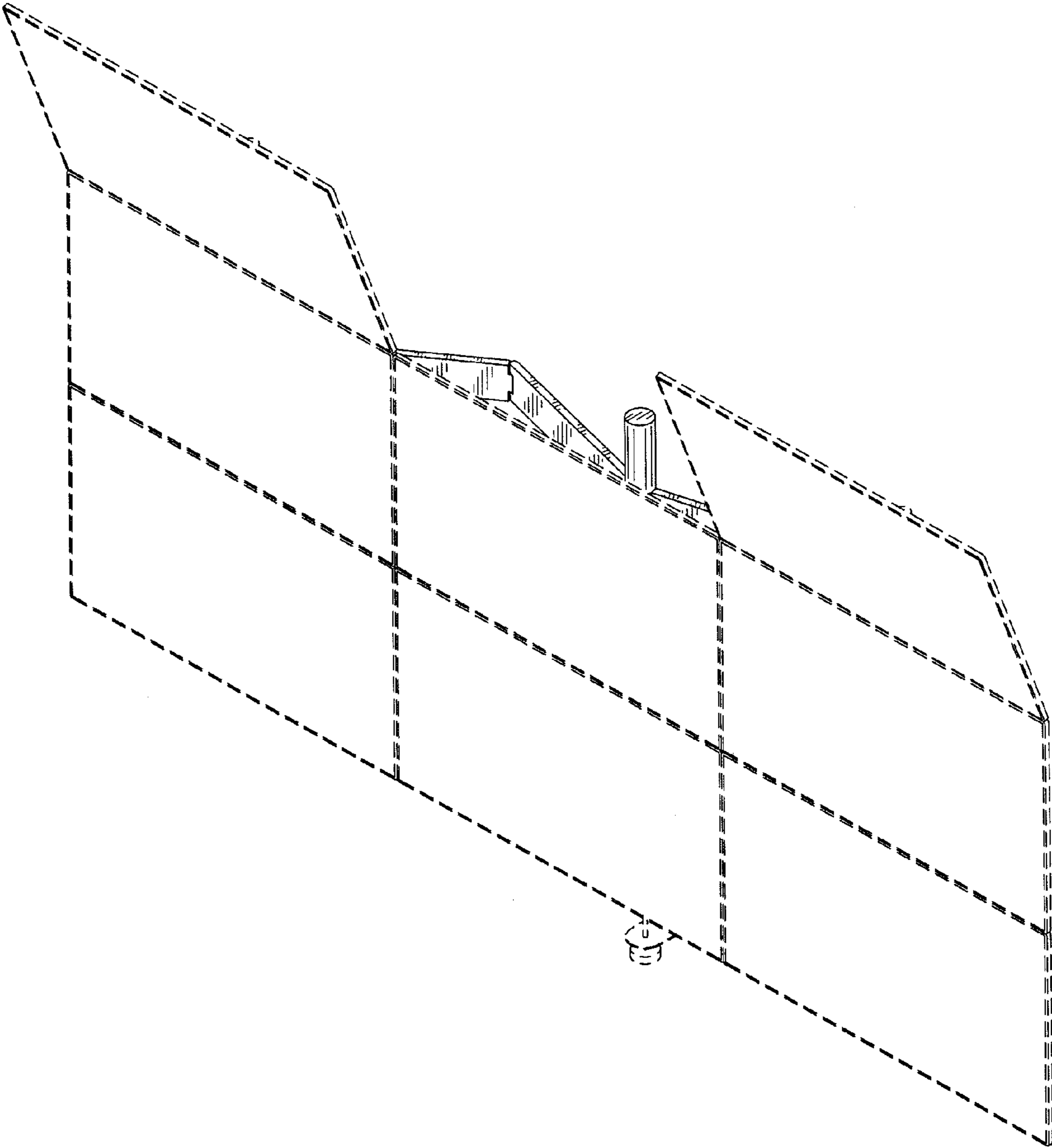
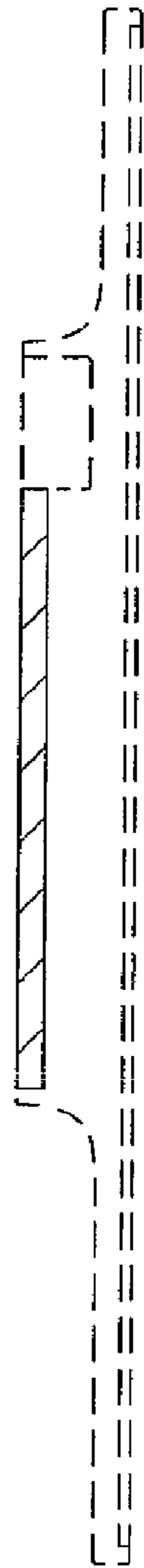


FIG. 8





**FIG. 9**

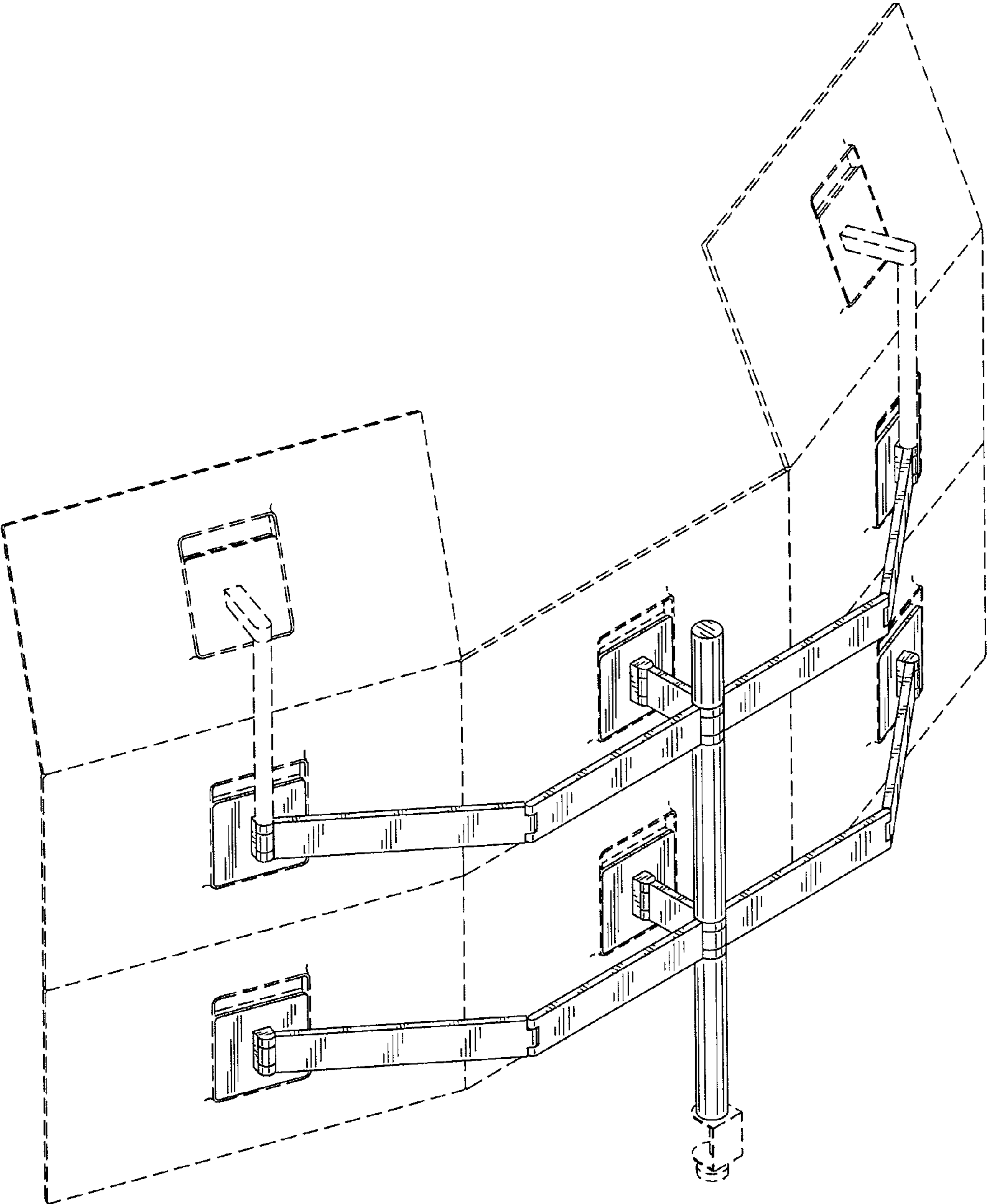


FIG. 10

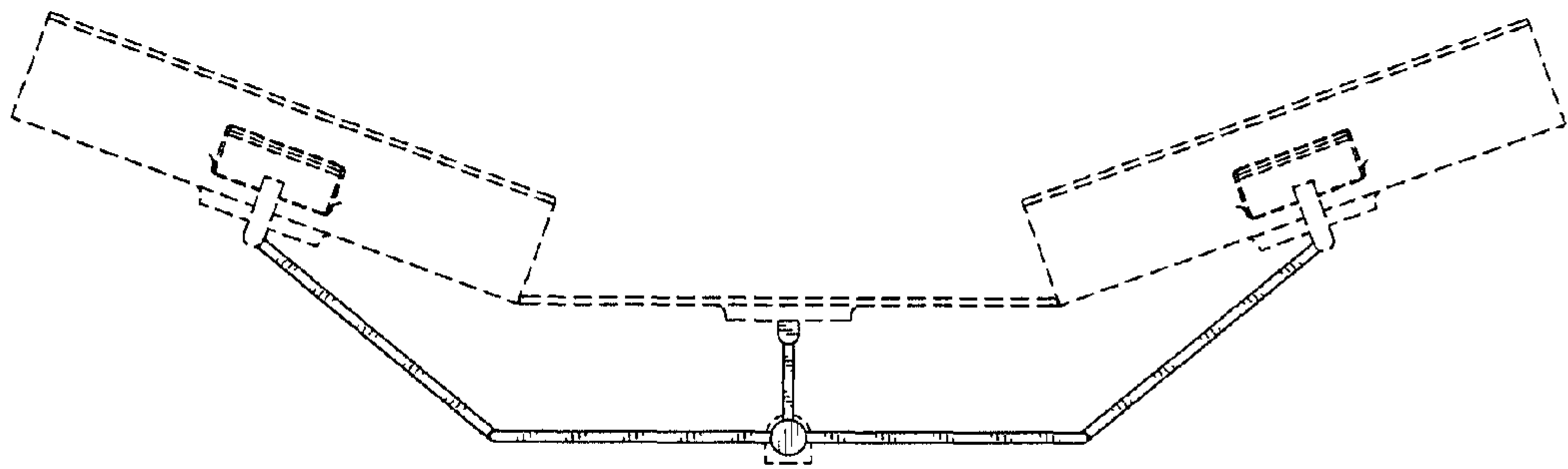


FIG. 11