



US00D632300S

(12) **United States Design Patent**
Kuroda et al.

(10) **Patent No.:** **US D632,300 S**

(45) **Date of Patent:** **** Feb. 8, 2011**

(54) **COMPUTER TERMINAL**

(75) Inventors: **Hiroyuki Kuroda**, Kahoku (JP); **Satoshi Kuroda**, Kahoku (JP)

(73) Assignee: **PFU Limited**, Ishikawa (JP)

(**) Term: **14 Years**

(21) Appl. No.: **29/347,318**

(22) Filed: **Dec. 2, 2009**

(30) **Foreign Application Priority Data**

Jun. 9, 2009 (JP) 2009-013024

(51) **LOC (9) Cl.** **14-02**

(52) **U.S. Cl.** **D14/439**

(58) **Field of Classification Search** D14/32–307,
D14/371, 373, 374, 336, 341, 900–902; D13/163;
D20/10; D21/329, 332, 325, 369, 370; D99/28;
D6/402, 309, 310; D18/4.1–4.6; 235/379;
271/164; 705/43, 715; 194/206; 361/679.1,
361/679.02, 679.04, 679.21, 679.57, 724
See application file for complete search history.

(56) **References Cited**

U.S. PATENT DOCUMENTS

D196,644 S *	10/1963	Beals et al.	D14/332
D256,133 S *	7/1980	LaCelle	D14/332
D304,444 S *	11/1989	Ikeya	D18/4.1
D310,212 S *	8/1990	Forsythe	D18/4.5
D324,855 S *	3/1992	Iino	D14/331
D335,286 S *	5/1993	Savio	D18/4.4
D338,877 S *	8/1993	Savio	D18/4.5
D349,694 S *	8/1994	Takimoto	D14/321
D389,813 S *	1/1998	Itoh	D18/4.5
D395,458 S *	6/1998	Smith et al.	D21/329
D397,335 S *	8/1998	Matsushita	D14/126
D410,499 S *	6/1999	Smith et al.	D21/329
6,003,008 A *	12/1999	Postrel et al.	705/4
D420,040 S *	2/2000	Mizusugi et al.	D18/4.4
D430,379 S *	8/2000	Massey	D99/28

D430,870 S *	9/2000	Maruyama et al.	D14/331
D447,137 S *	8/2001	Hultzman	D14/336
D474,228 S *	5/2003	Katou et al.	D18/4.3
D507,023 S *	7/2005	Simonetti et al.	D21/369
7,017,803 B2 *	3/2006	Ichikawa et al.	235/379
D527,760 S *	9/2006	Ono	D18/4.5
D563,405 S *	3/2008	Taniho et al.	D14/336
D592,658 S *	5/2009	Sugiyama et al.	D14/336
D607,947 S *	1/2010	Antonopoulos et al.	D21/369
2005/0190533 A1 *	9/2005	Hultzman et al.	361/683
2009/0289104 A1 *	11/2009	Yoneda	235/375

* cited by examiner

Primary Examiner—Cathron C Brooks

Assistant Examiner—Deanna Fluegeman

(74) *Attorney, Agent, or Firm*—Staas & Halsey LLP

(57) **CLAIM**

The ornamental design for a computer terminal, as shown and described.

DESCRIPTION

FIG. 1 is a front perspective view of a computer terminal showing our new design;

FIG. 2 is a front view thereof;

FIG. 3 is a rear view thereof;

FIG. 4 is a left side elevational view thereof;

FIG. 5 is a right side elevational view thereof;

FIG. 6 is a top plan view thereof;

FIG. 7 is a bottom plan view thereof; and,

FIG. 8 is a front perspective view of FIG. 1 showing the display in upright position.

The broken lines immediately adjacent to the shaded area on the rear portion of the computer terminal in FIGS. 1 and 8 illustrate the bounds of the claimed design and form no part thereof. All other broken lines in the drawings illustrate unclaimed portions of the computer terminal and form no part of the claimed design.

1 Claim, 4 Drawing Sheets

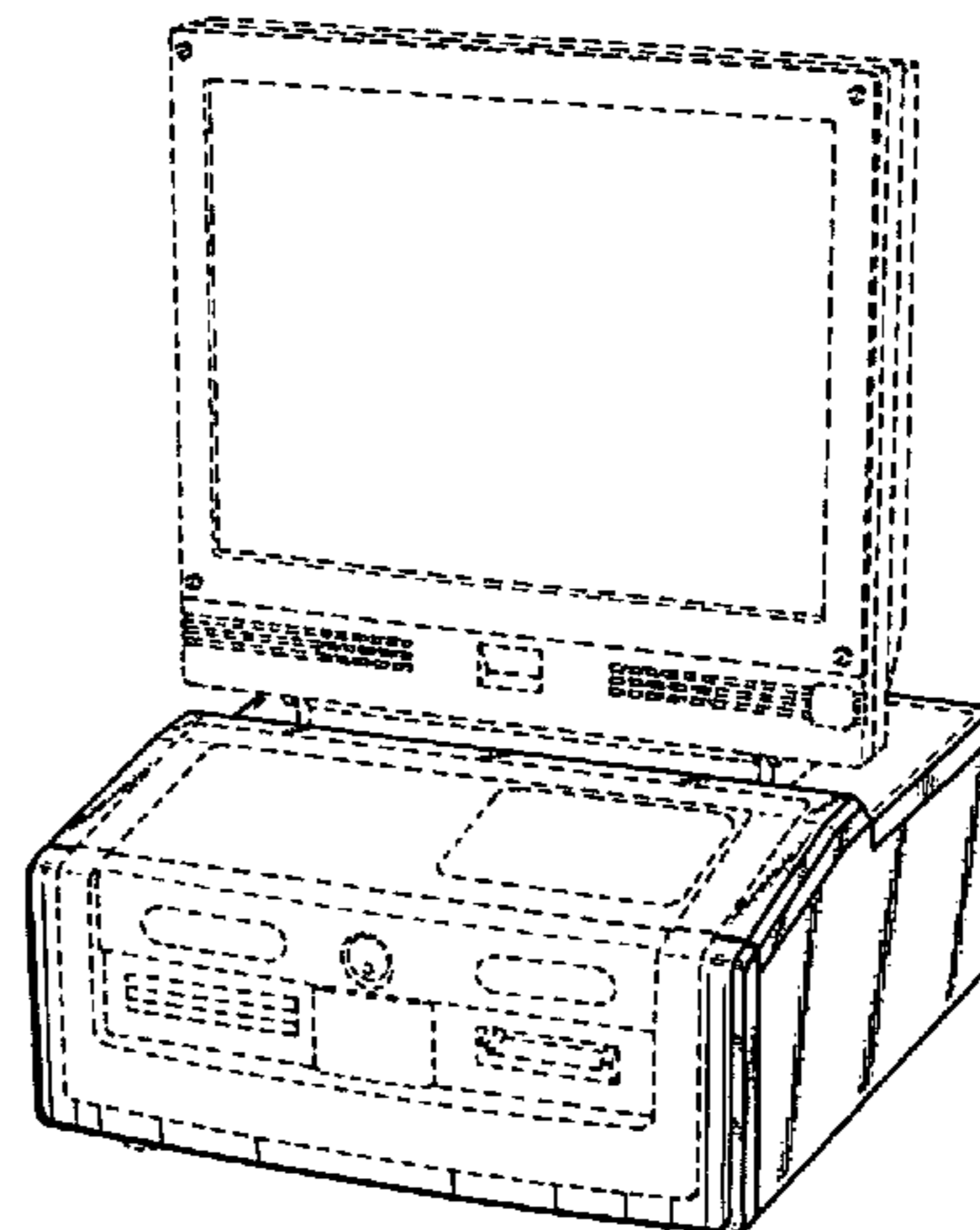
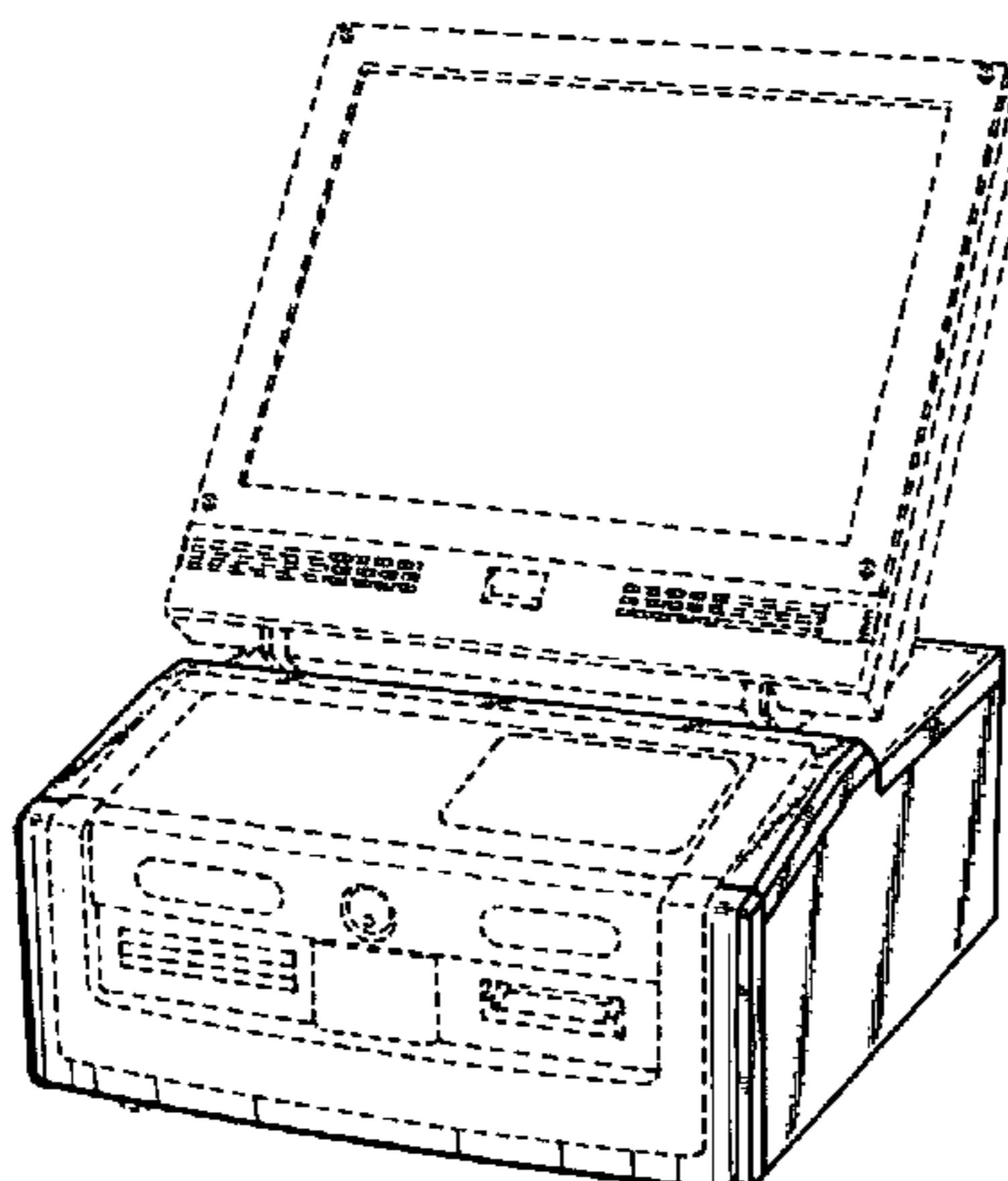


Fig.1

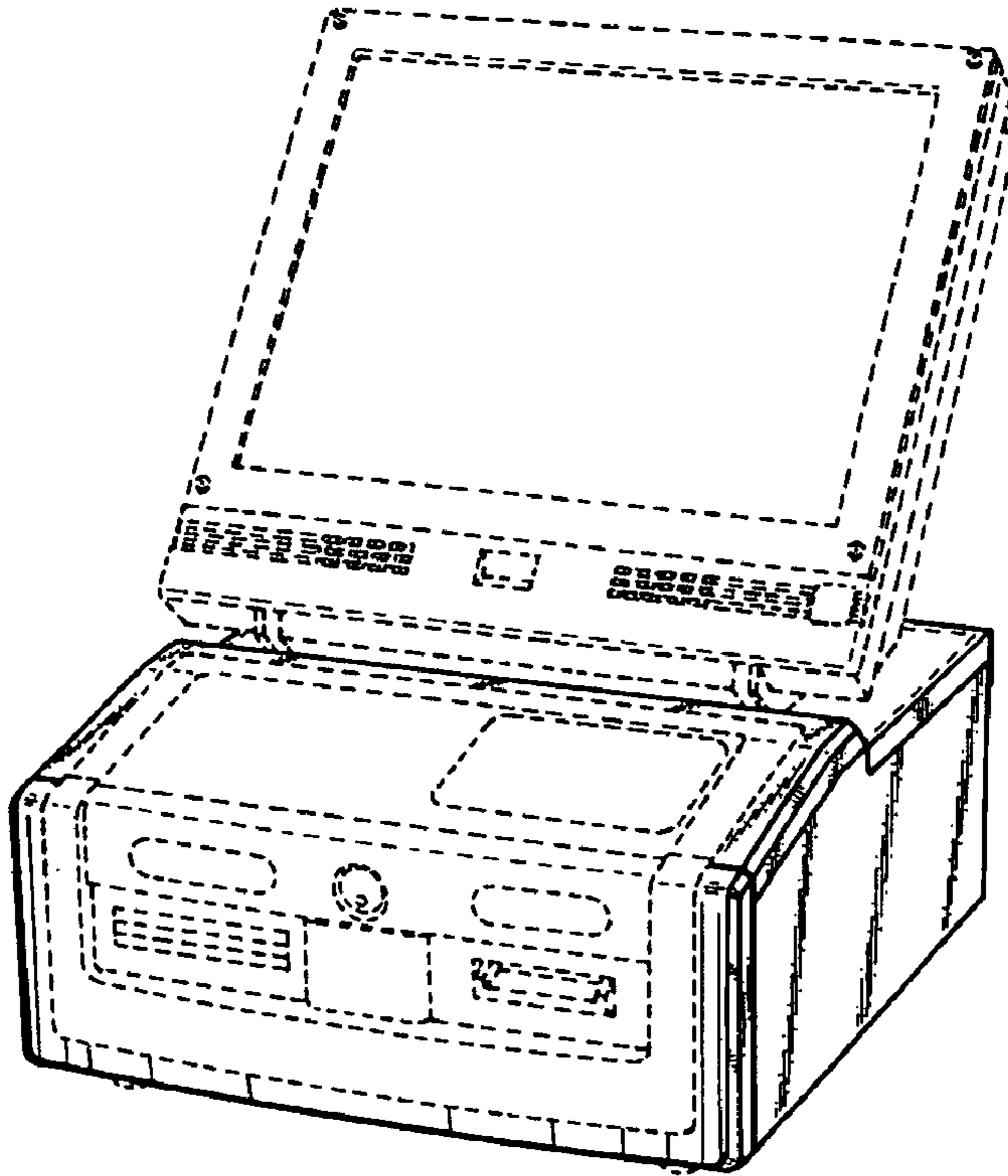


Fig.2

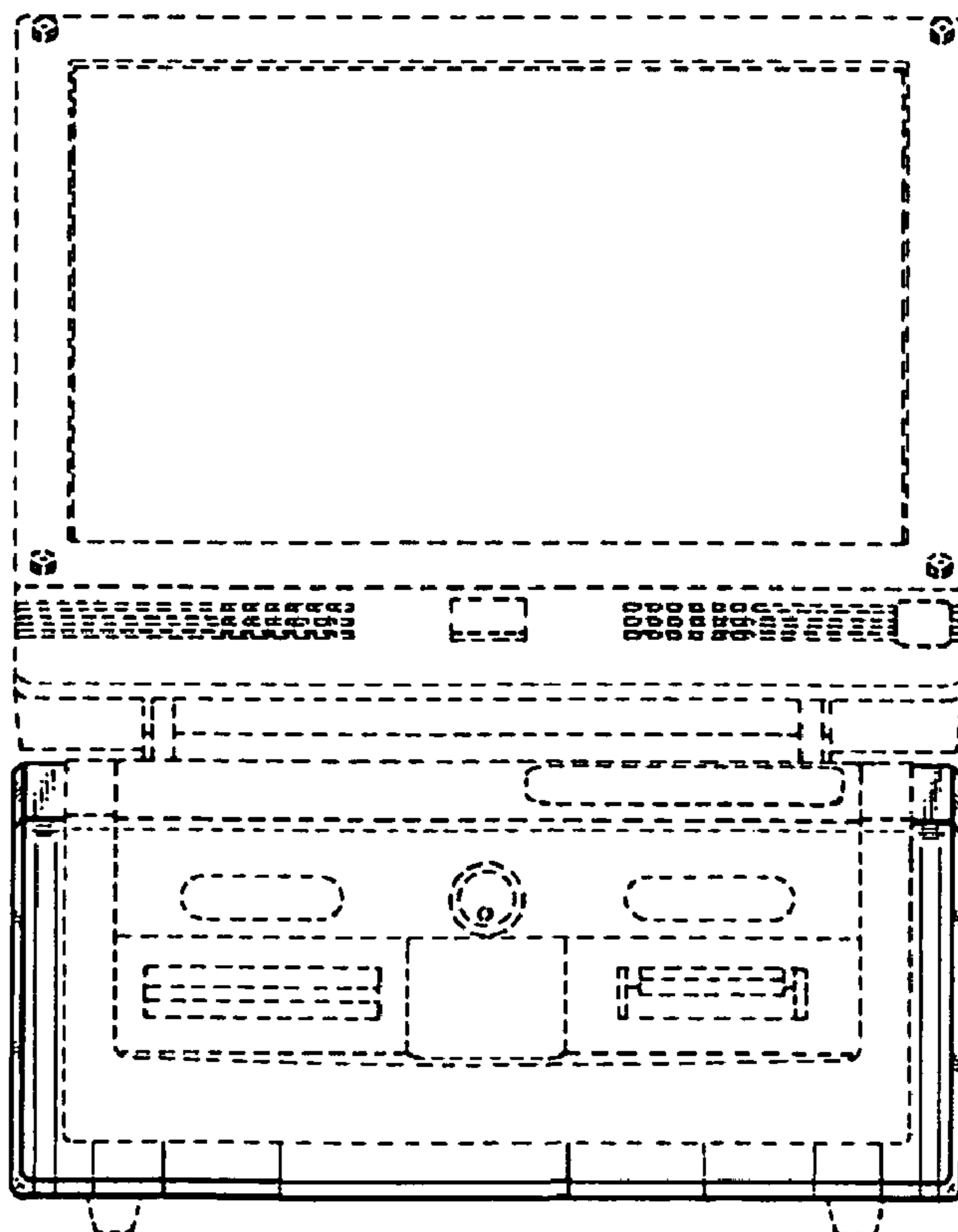


Fig.3

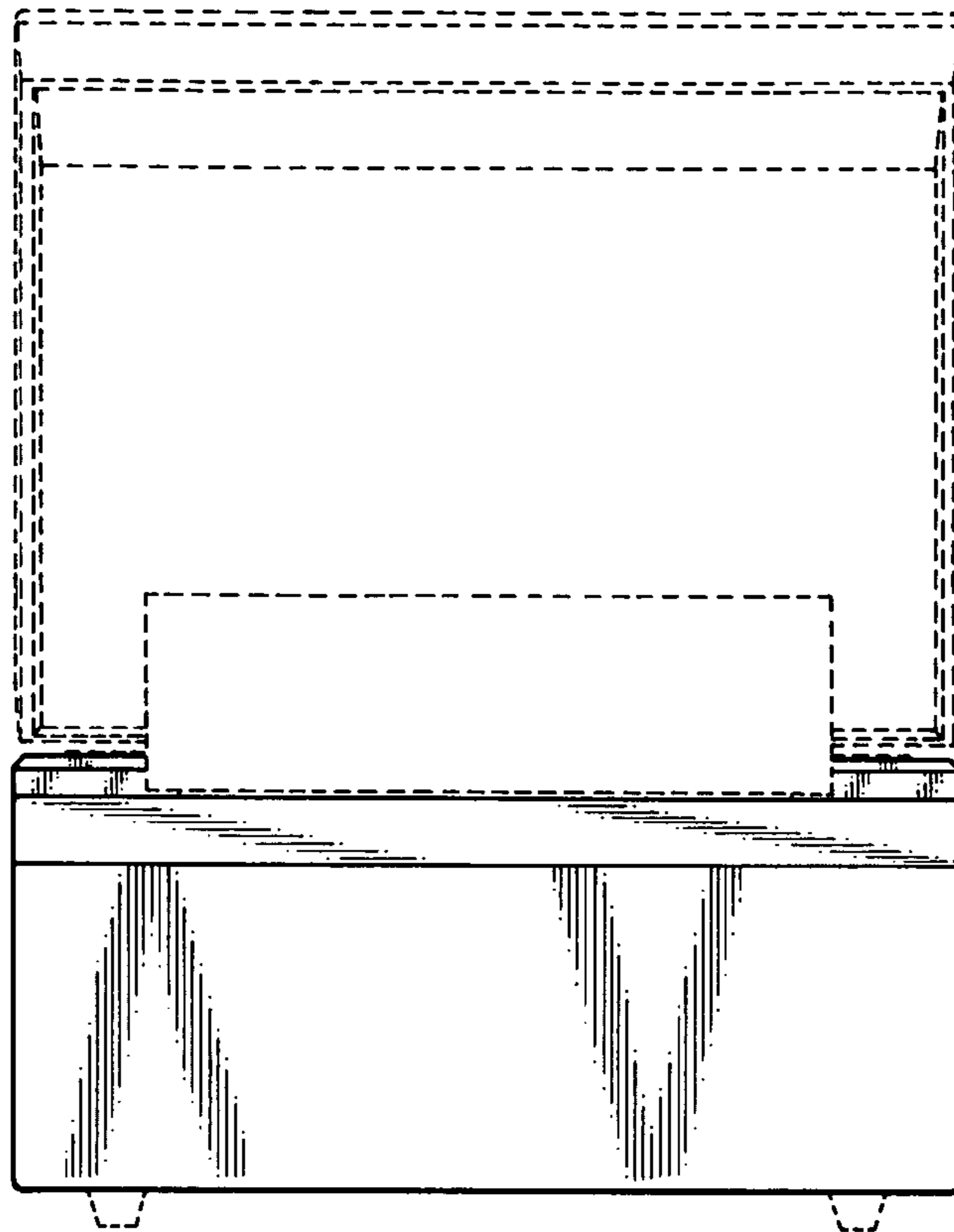


Fig.4

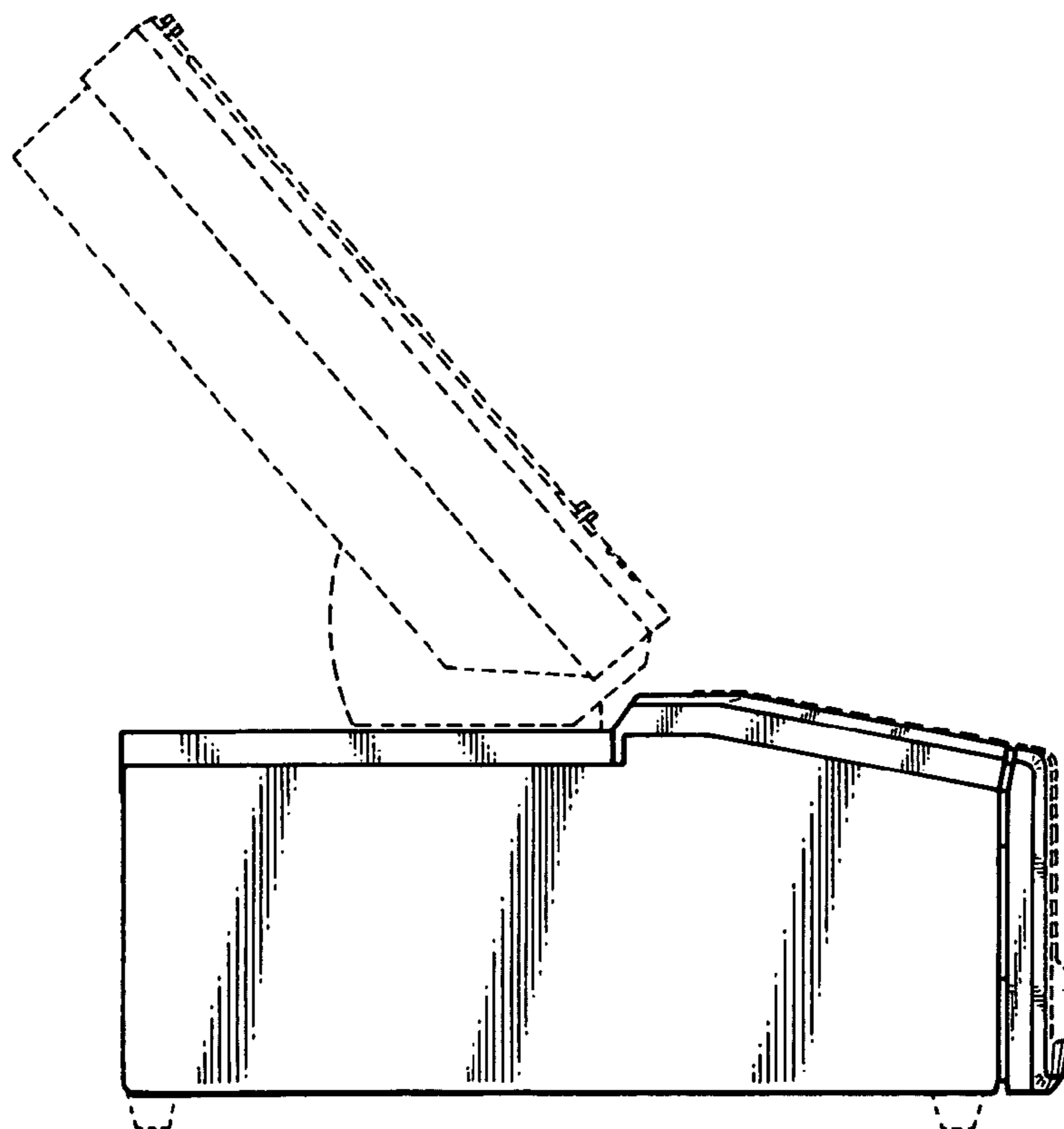


Fig.5

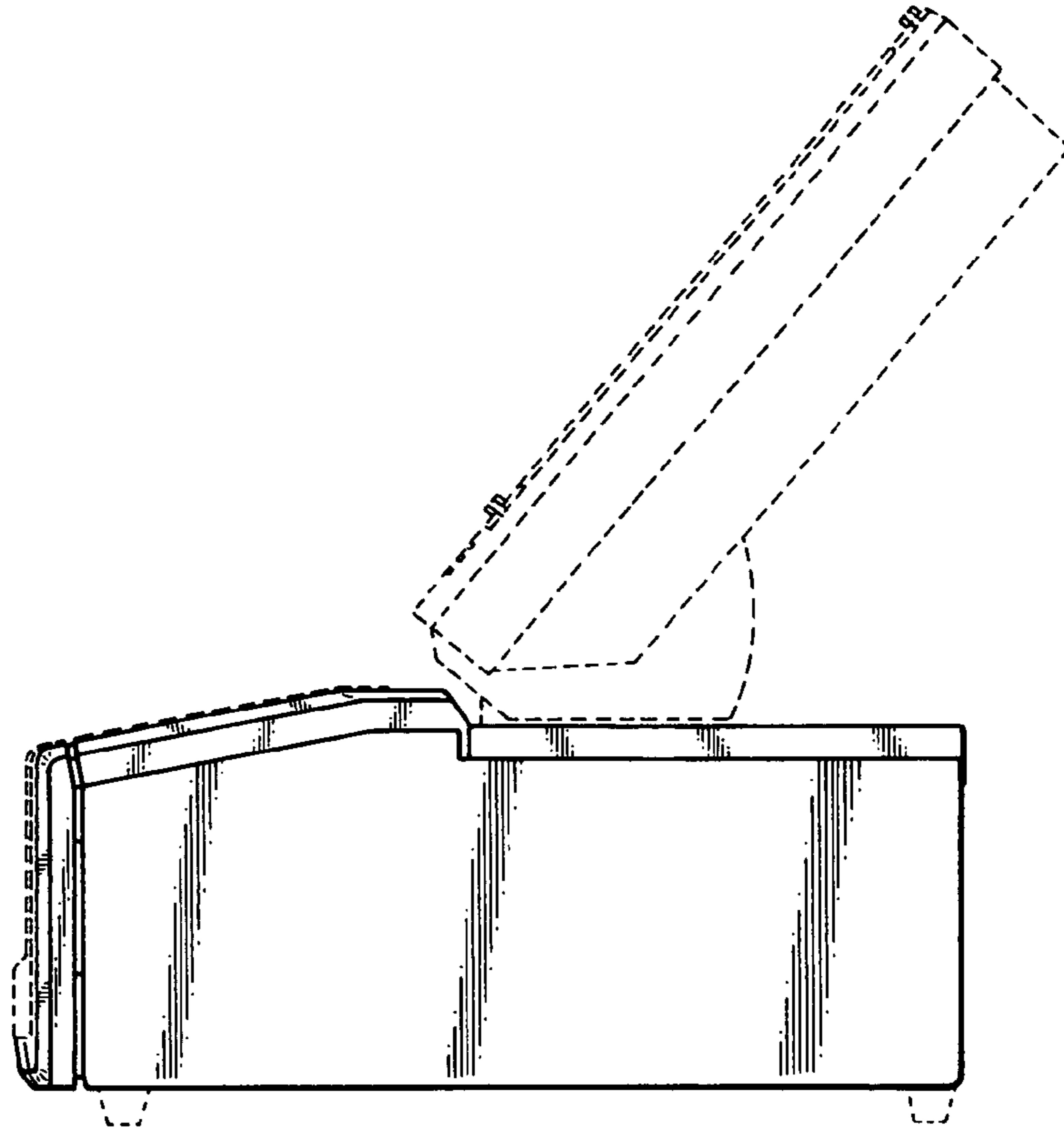


Fig.6

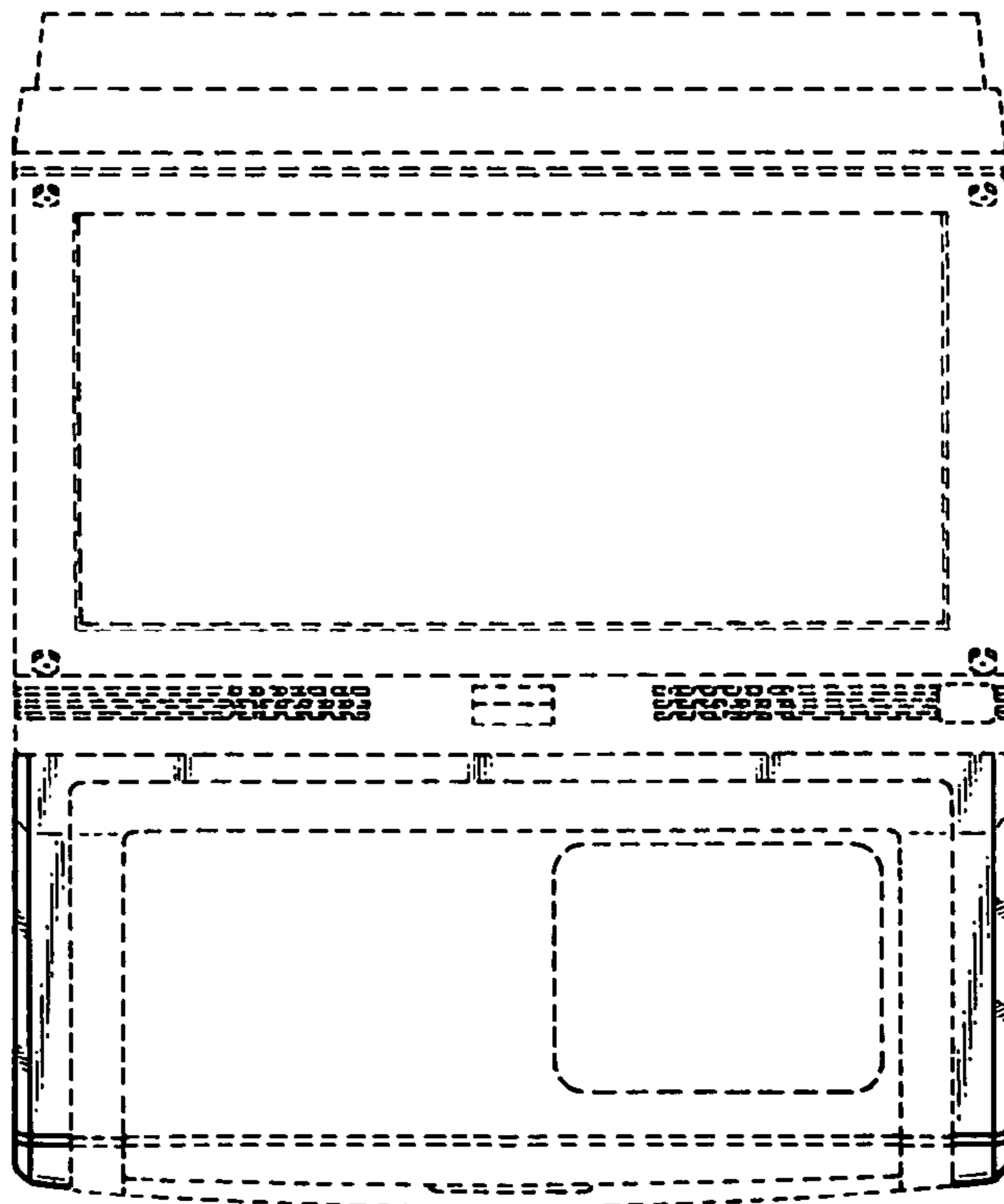


Fig.7

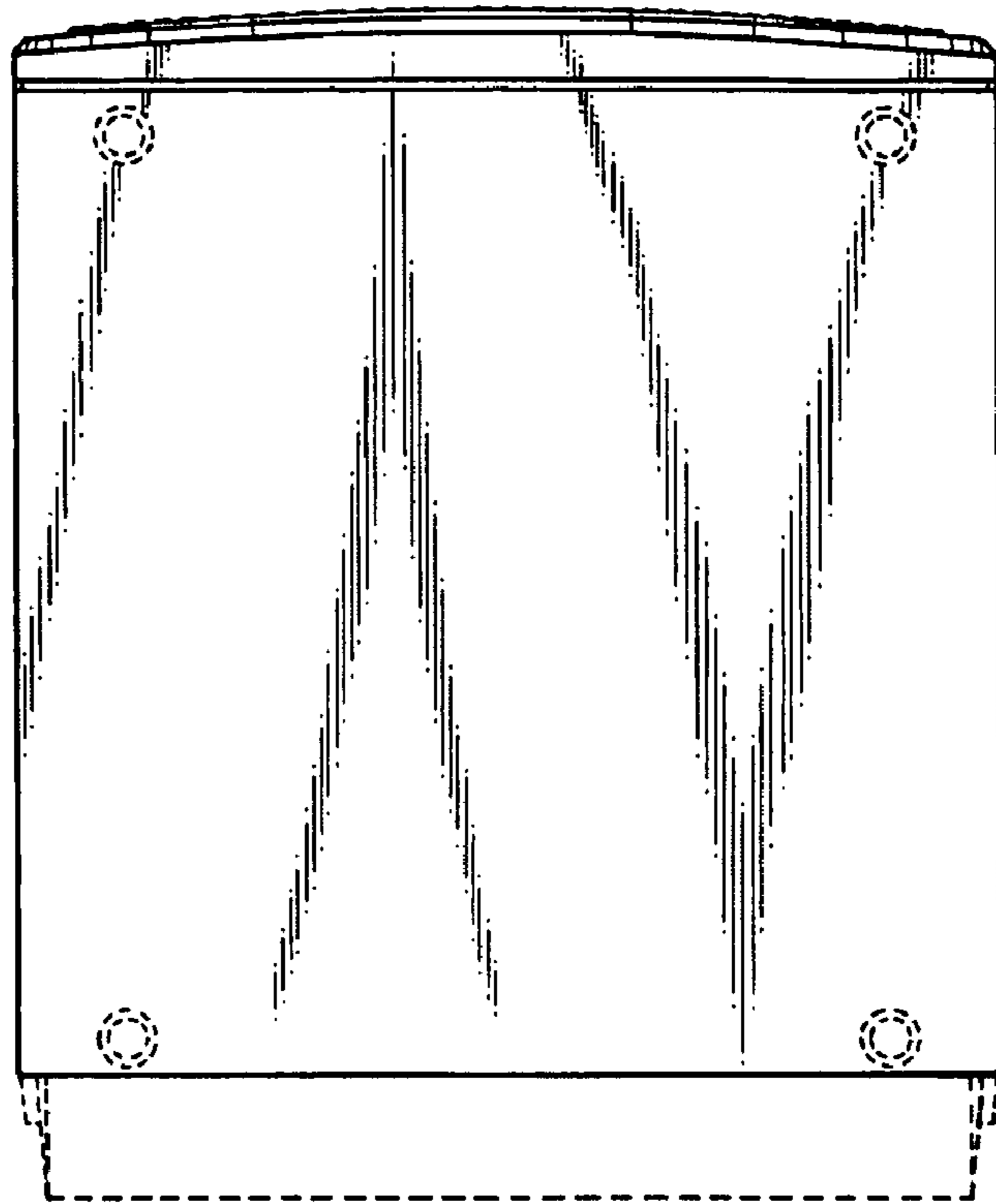


Fig.8

