



US00D632299S

(12) **United States Design Patent**  
**King**

(10) **Patent No.:** **US D632,299 S**  
(45) **Date of Patent:** **\*\* Feb. 8, 2011**

(54) **CARTRIDGE FOR A WIRELESS GATEWAY SYSTEM**

5,838,548 A \* 11/1998 Matz et al. .... 361/784  
D410,446 S \* 6/1999 Konshak et al. .... D14/367  
D412,322 S \* 7/1999 Wu ..... D14/433

(76) Inventor: **Dennis J. King**, 1387 42nd Ave.,  
Sacramento, CA (US) 95822

(Continued)

(\*\*) Term: **14 Years**

*Primary Examiner*—Susan Moon Lee

(74) *Attorney, Agent, or Firm*—Shlesinger, Arkwright &  
Garvey, LLP; Glen L. Gross

(21) Appl. No.: **29/319,770**

(22) Filed: **Jun. 13, 2008**

(51) **LOC (9) Cl.** ..... **14-02**

(52) **U.S. Cl.** ..... **D14/438**

(58) **Field of Classification Search** ..... D14/435–438,  
D14/478–480, 400, 401, 496, 474, 477, 432,  
D14/433, 434, 483, 475, 481, 335, 161, 164,  
D14/165, 194, 196, 198, 162, 168; 235/441,  
235/443, 487, 492, 493, 495; 361/737, 679,  
361/736, 728–730, 684, 685; 257/678–679,  
257/693, E23.064; 439/946; 174/250, 260,  
174/52.1–52.2; 710/300–303; 438/121;  
D21/332, 333, 324; 273/148 B, 148 A; 463/1,  
463/29, 30, 42–47; D13/133; 369/75.11,  
369/272, 273; 360/133, 97.01, 97.02, 234.2,  
360/236.6, 132, 92, 236.9, 134; 720/737,  
720/600, 725; 206/307, 308.1; 242/348–348.4,  
242/341, 335

See application file for complete search history.

(56) **References Cited**

**U.S. PATENT DOCUMENTS**

D196,912 S \* 11/1963 Kostich ..... D13/147  
D276,527 S \* 11/1984 Flanigan ..... D14/435  
D311,740 S \* 10/1990 Wagner ..... D14/358  
D336,746 S \* 6/1993 Tse ..... D14/433  
D342,236 S \* 12/1993 Albano et al. .... D14/336  
D354,500 S \* 1/1995 Georgopoulos ..... D14/242  
5,387,131 A \* 2/1995 Foreman et al. .... 439/620.15  
D393,459 S \* 4/1998 Barbeau et al. .... D14/438  
D393,632 S \* 4/1998 Sherry ..... D14/435  
5,737,189 A \* 4/1998 Kammersgard et al. .... 361/726

(57) **CLAIM**

The ornamental design for a cartridge for a wireless gateway system, as shown and described.

**DESCRIPTION**

FIG. 1 is a front perspective view of a cartridge for a wireless gateway system, according to my new design, shown inserted into a wireless gateway system.

FIG. 2 is an exploded front perspective view of the cartridge for a wireless gateway system.

FIG. 3 is a front perspective view of the cartridge for a wireless gateway system.

FIG. 4 is a bottom left side perspective view thereof;

FIG. 5 is another bottom left side perspective view of the cartridge for a wireless gateway system, with an illustrative, environmental broken line showing of a connections port element.

FIG. 6 is a top elevational view of the cartridge for a wireless gateway system.

FIG. 7 is a left side elevational view thereof;

FIG. 8 is a bottom elevational view thereof;

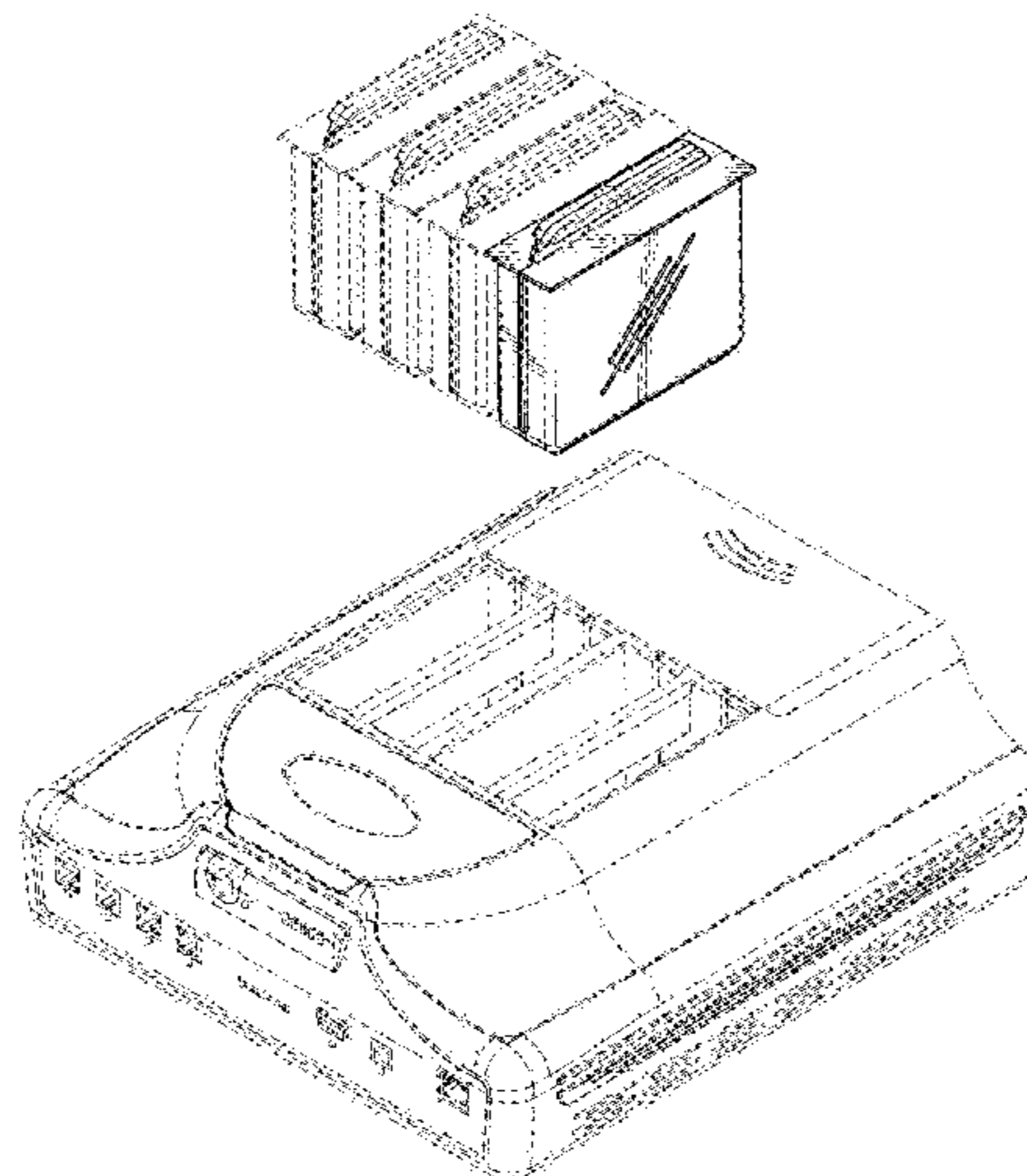
FIG. 9 is a right side elevational view thereof;

FIG. 10 is a front elevational view thereof; and,

FIG. 11 is a rear elevational view thereof.

The broken line elements in the figures, which include a wireless gateway system and connections port, are for environmental illustration purposes only and are not claimed.

**1 Claim, 7 Drawing Sheets**



# US D632,299 S

Page 2

---

## U.S. PATENT DOCUMENTS

D413,592	S	*	9/1999	Saliba et al. ....	D14/435	D491,564	S	*	6/2004	Chaney et al. ....	D14/435
6,059,614	A	*	5/2000	Shelby et al. ....	439/717	D520,500	S	*	5/2006	Storti et al. ....	D14/240
6,109,948	A	*	8/2000	Kuo .....	439/357	D522,068	S	*	5/2006	Man-tat .....	D21/332
D434,455	S	*	11/2000	Iino et al. ....	D21/332	D523,014	S	*	6/2006	Liu et al. ....	D14/433
D461,797	S	*	8/2002	Sumer et al. ....	D14/240	D553,692	S	*	10/2007	Ehara et al. ....	D21/332
D465,786	S	*	11/2002	Hoge et al. ....	D14/475	D562,813	S	*	2/2008	Storti et al. ....	D14/240
D471,912	S	*	3/2003	Camarota et al. ....	D14/433	D565,571	S	*	4/2008	Trifilio et al. ....	D14/434
D473,222	S	*	4/2003	Chiou .....	D14/240	D576,164	S	*	9/2008	Takahashi .....	D14/385
D474,154	S	*	5/2003	Lai .....	D13/147	D578,121	S	*	10/2008	Goto .....	D14/385
D490,080	S	*	5/2004	Alviar et al. ....	D14/433	D604,725	S	*	11/2009	Chen .....	D14/240
D491,187	S	*	6/2004	Mambakkam et al. ....	D14/433	2002/0021558	A1	*	2/2002	Schwarz et al. ....	361/729

\* cited by examiner

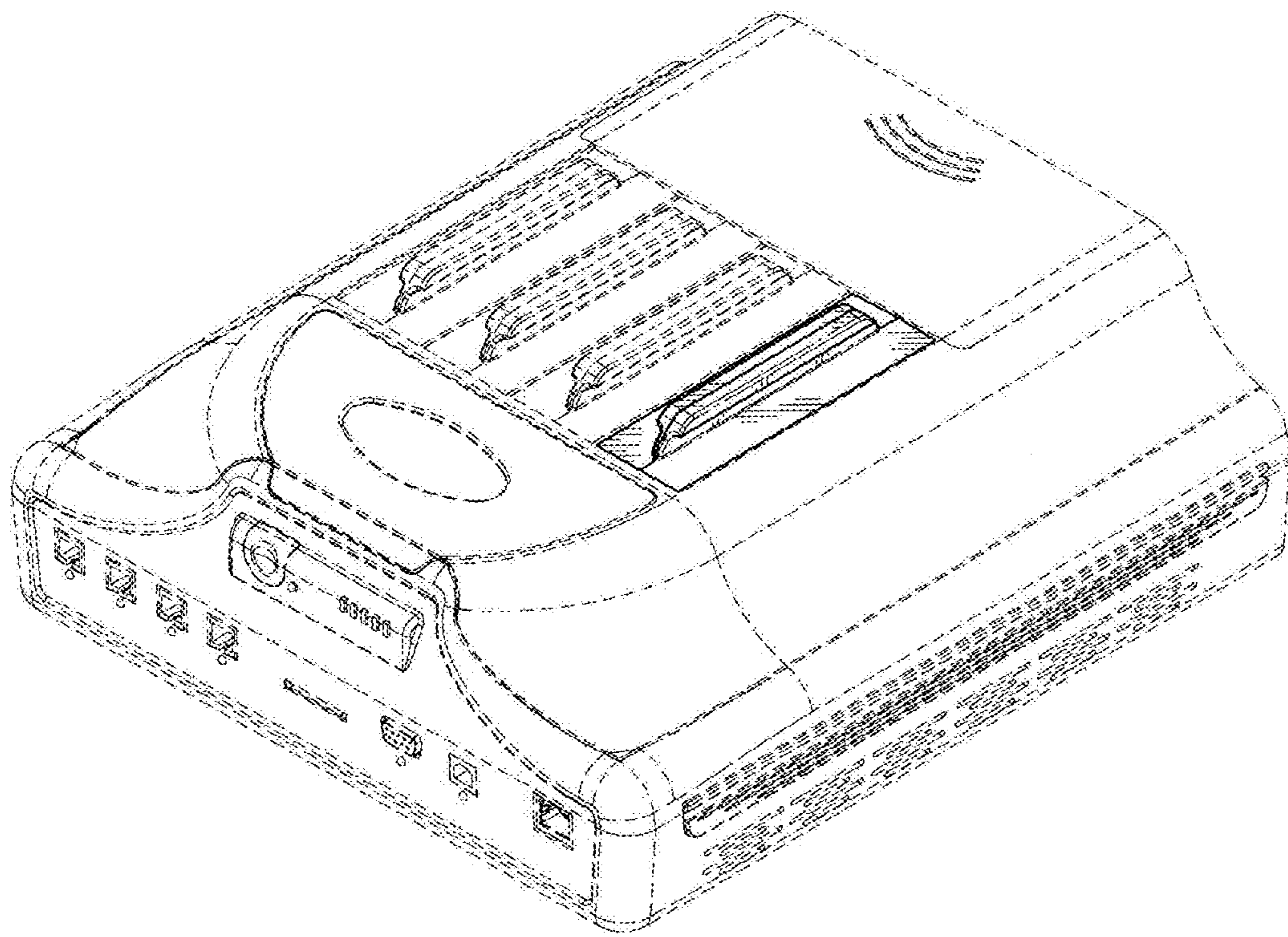


FIG. 1

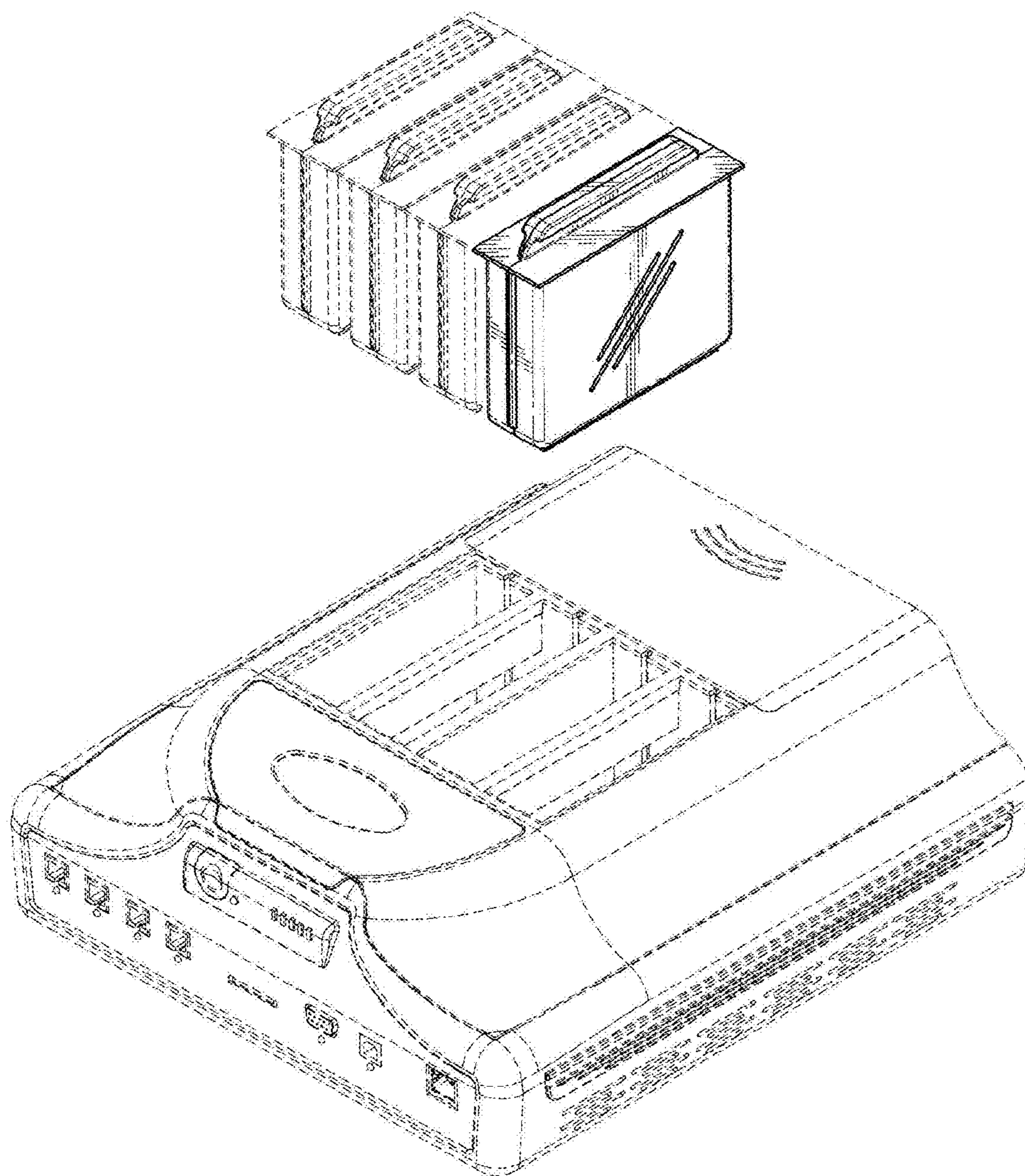


FIG. 2

FIG. 3

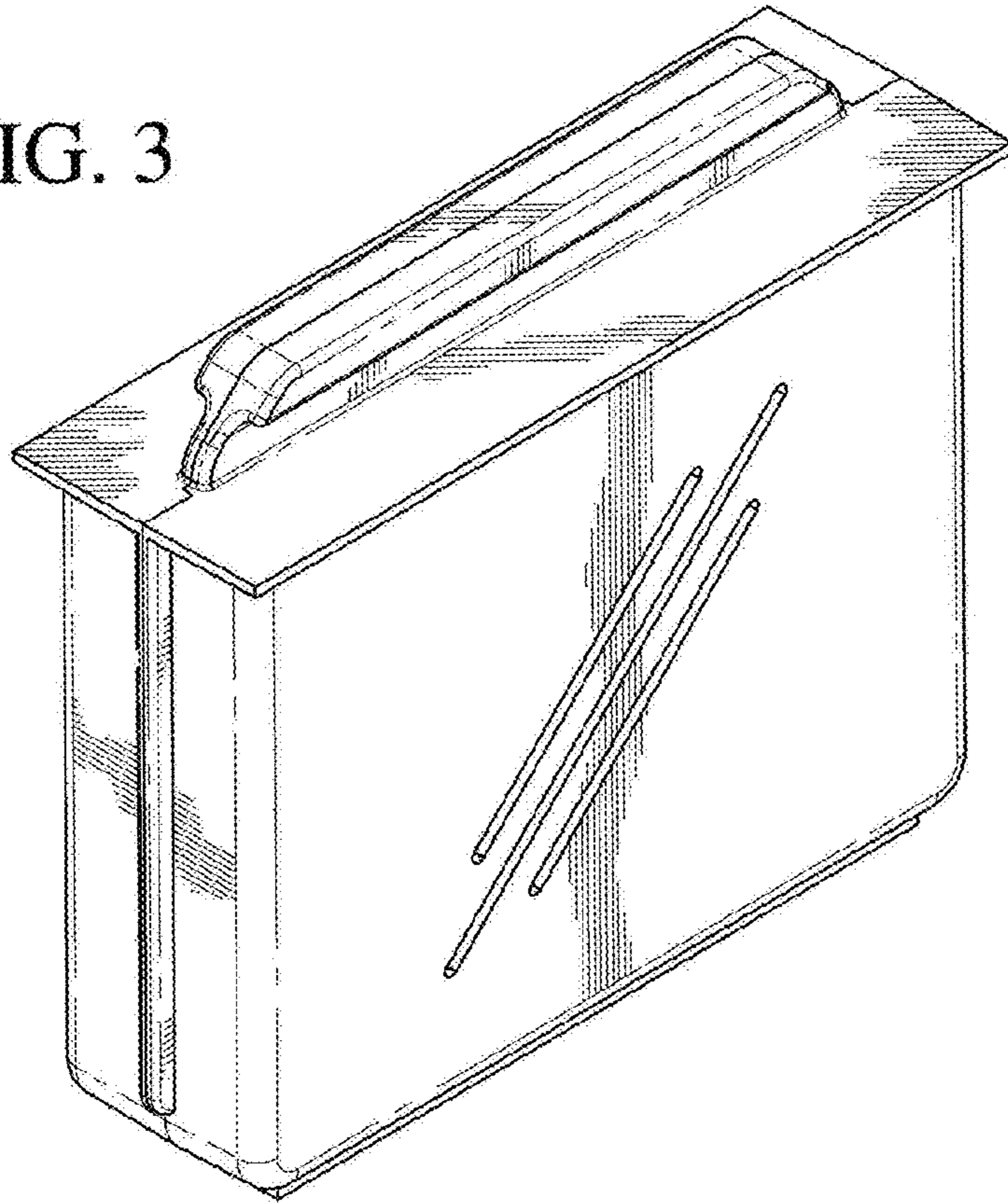
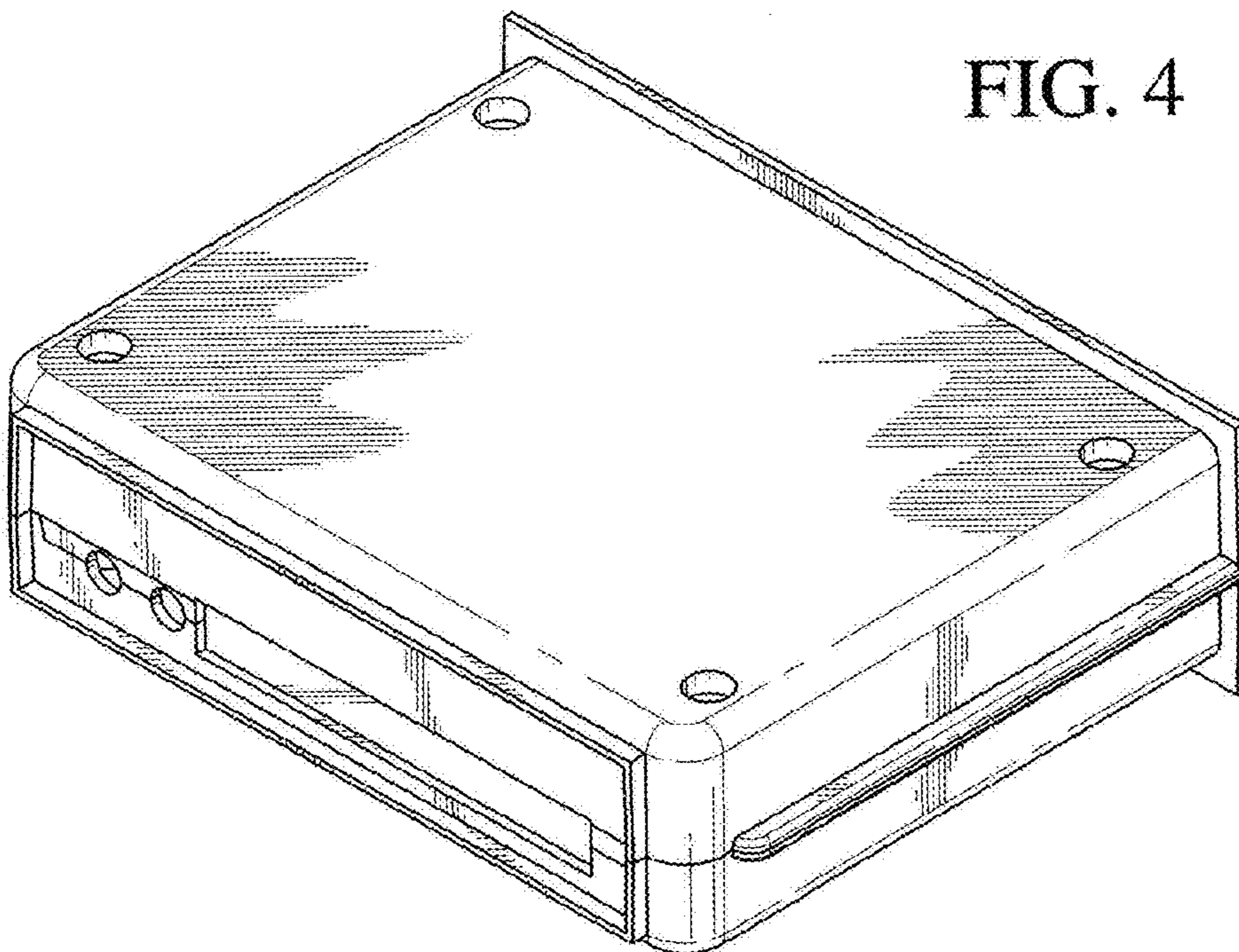


FIG. 4



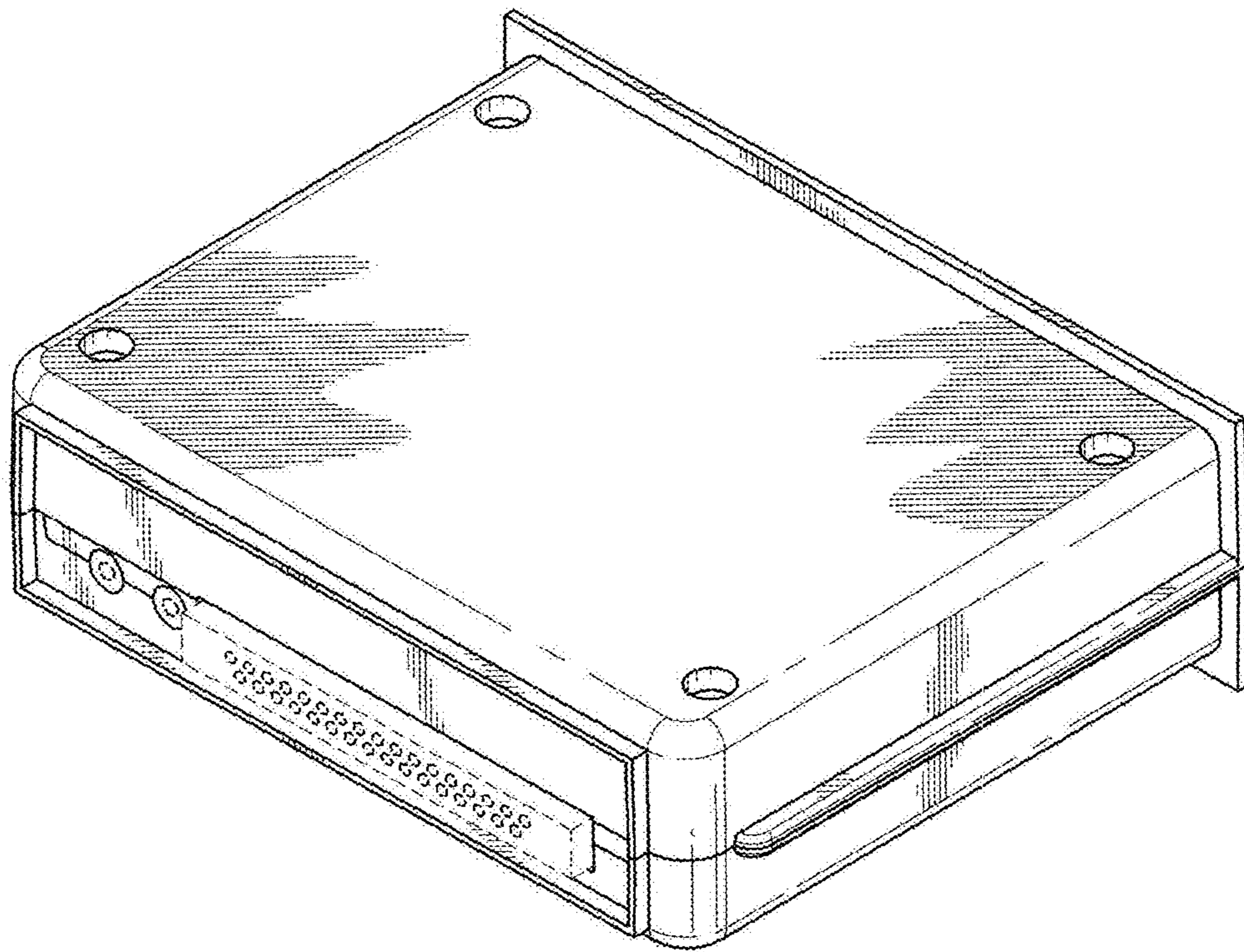


FIG. 5

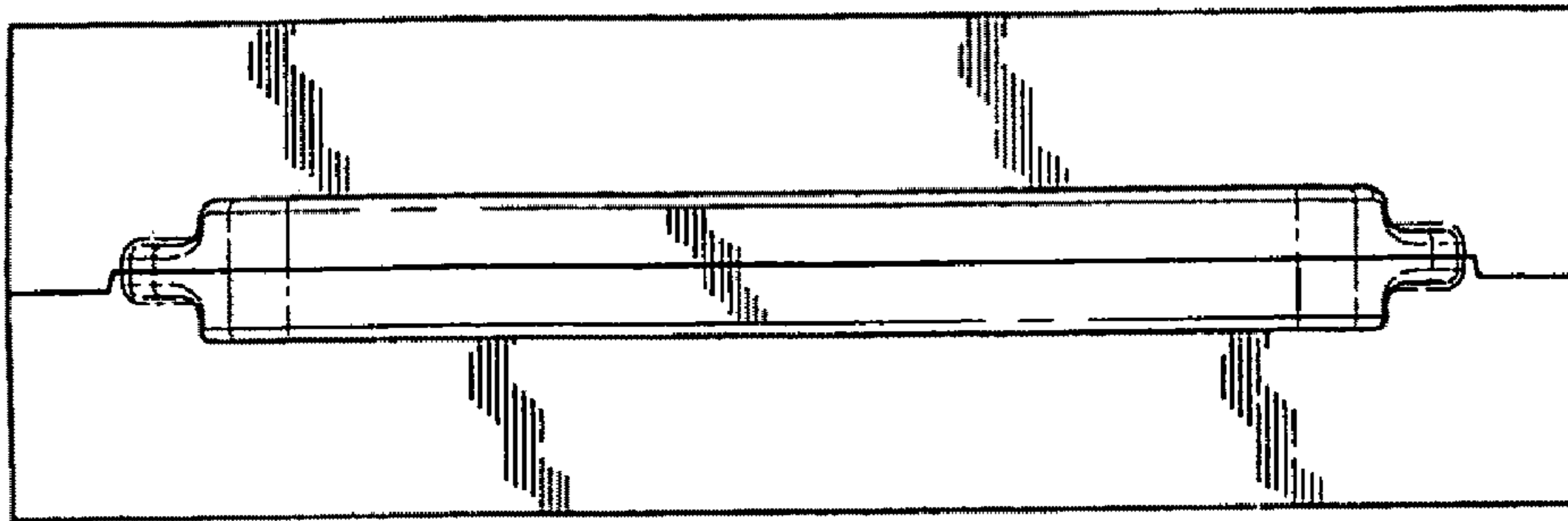


FIG. 6

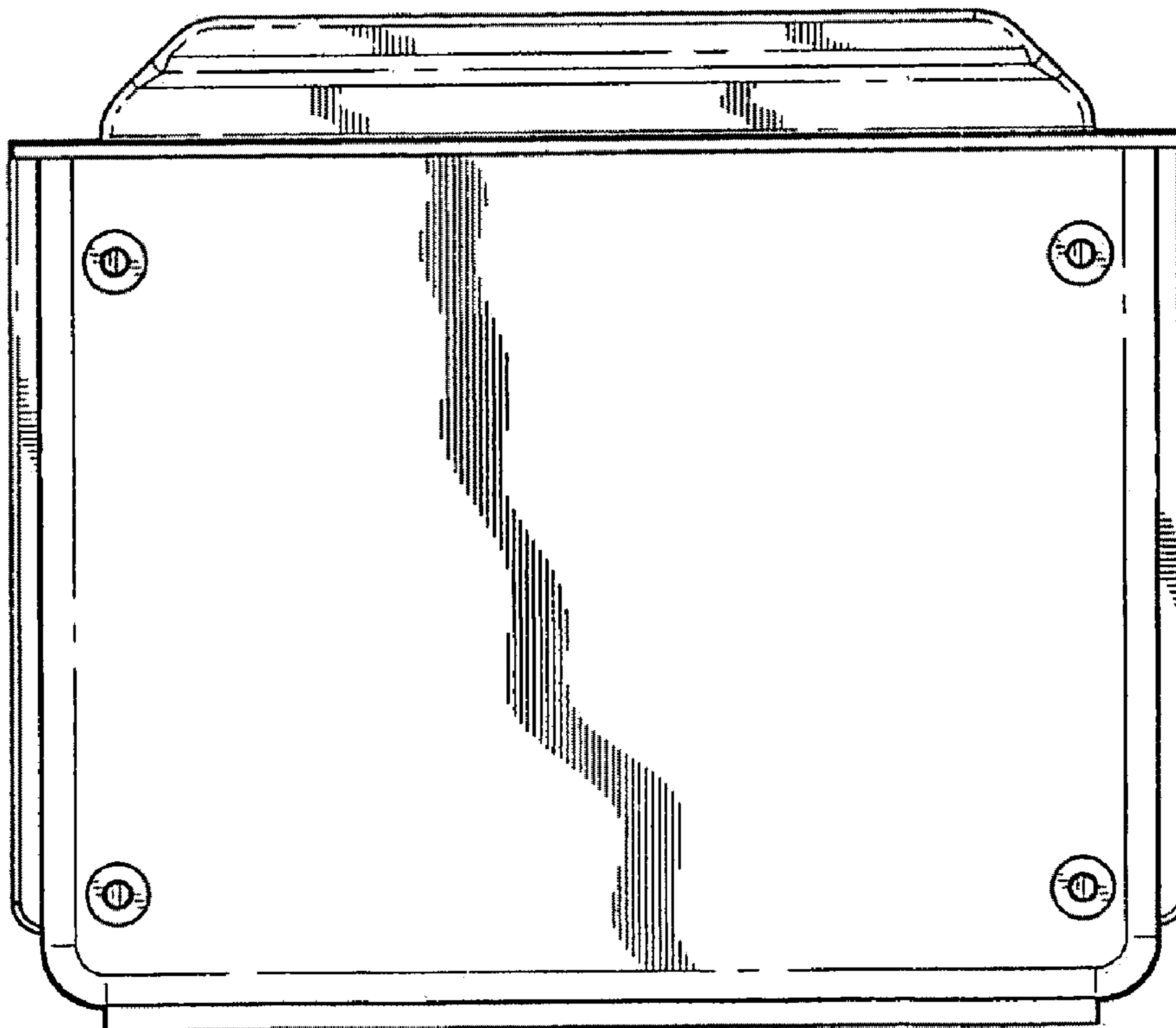


FIG. 7

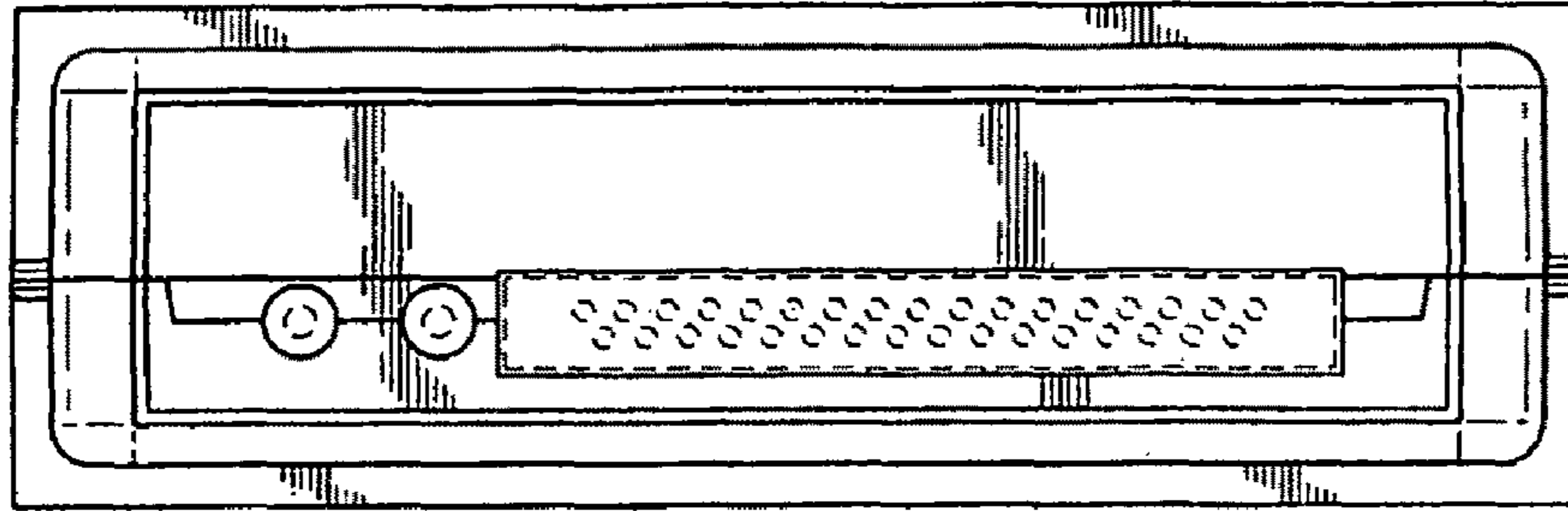


FIG. 8

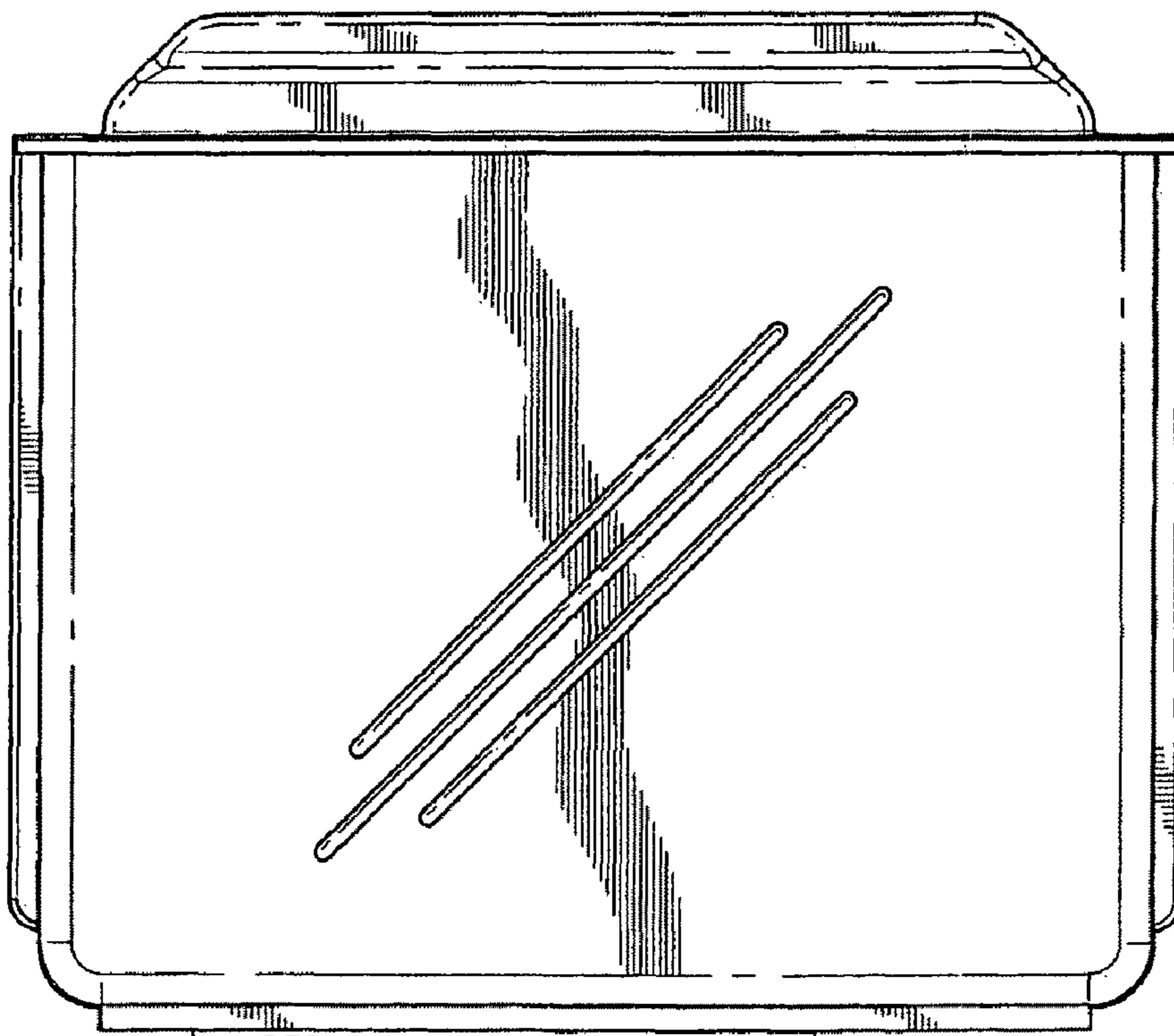


FIG. 9



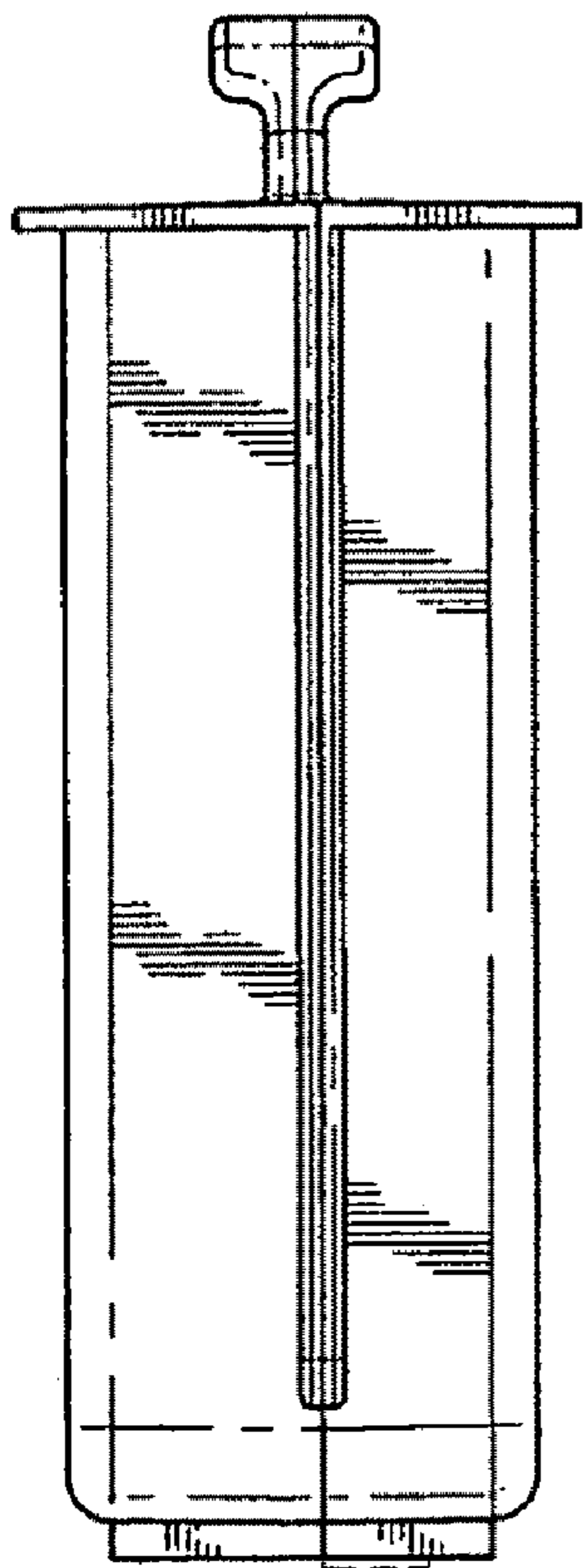


FIG. 10

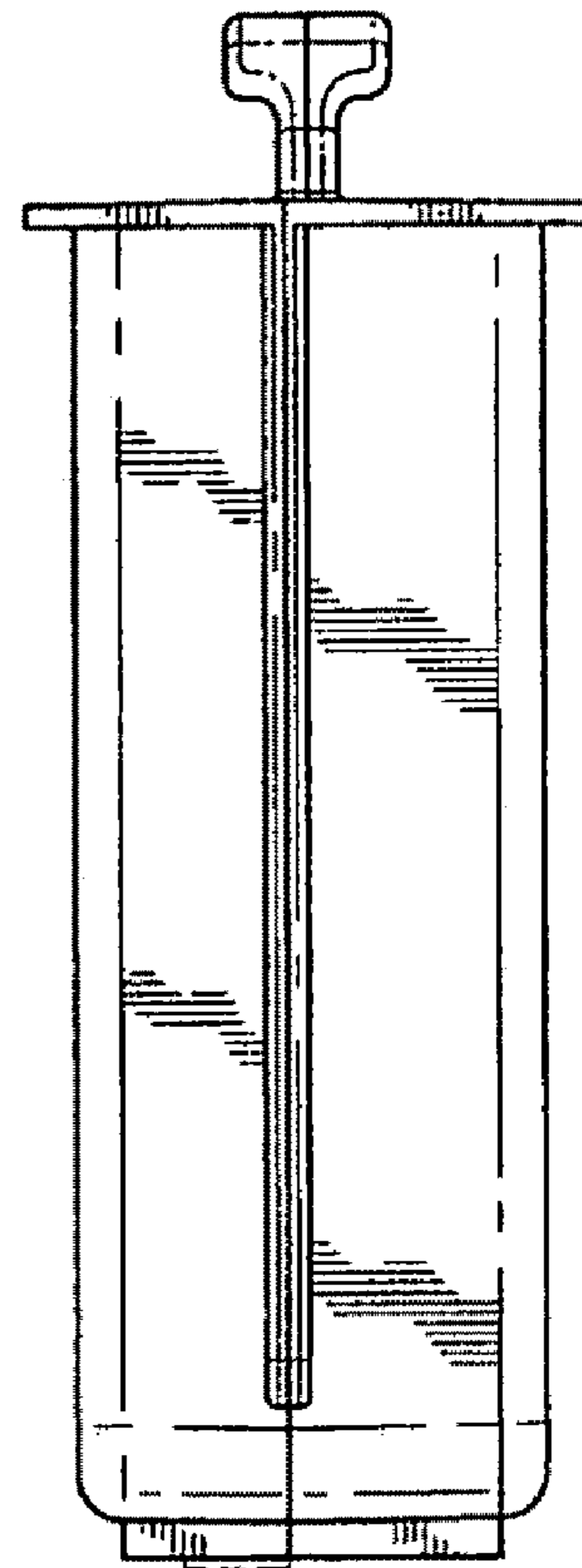


FIG. 11