



US00D632298S

(12) **United States Design Patent**
DePaula

(10) **Patent No.:** **US D632,298 S**

(45) **Date of Patent:** **** Feb. 8, 2011**

(54) **ELECTRONIC MEMORY DEVICE**

(74) *Attorney, Agent, or Firm*—Wells St. John, P.S.

(76) **Inventor:** **Andrew C. DePaula**, 1314 S. Grand Blvd., #2181, Spokane, WA (US) 99202

(57) **CLAIM**

(**) **Term:** **14 Years**

I claim the ornamental design for an electronic memory device, as shown and described.

(21) **Appl. No.:** **29/326,751**

(22) **Filed:** **Oct. 23, 2008**

DESCRIPTION

(51) **LOC (9) Cl.** **14-02**

FIG. 1 is an isometric view of a top surface of an electronic memory device.

(52) **U.S. Cl.** **D14/436**

FIG. 2 is an isometric view of a bottom surface of the electronic memory device.

(58) **Field of Classification Search** D14/435–438, D14/478–480; 235/441, 443, 487, 492, 493, 235/495, 380; 361/737, 679, 752, 736, 728, 361/796, 797, 729, 730, 725–727; 257/678, 257/679, 693, E23.064; 439/946, 948, 159; 174/250, 260, 52.1, 52.2; 710/300–303; 438/121

FIG. 3 is a plan view of a top surface of the electronic memory device.

See application file for complete search history.

FIG. 4 is a plan view of a bottom surface of the electronic memory device.

(56) **References Cited**

FIG. 5 is a side elevational view of the electronic memory device.

U.S. PATENT DOCUMENTS

FIG. 5A is an enlarged view of a first portion of the side elevational view of FIG. 5.

D267,009	S	*	11/1982	Doi	D14/436
4,780,603	A		10/1988	Hamada		
D320,225	S	*	9/1991	Ido et al.	D18/12
5,818,030	A	*	10/1998	Reyes	235/492
5,888,624	A		3/1999	Haghiri et al.		
6,097,605	A	*	8/2000	Klatt et al.	361/737
6,109,939	A	*	8/2000	Kondo et al.	439/140

FIG. 5B is an enlarged view of a second portion of the side elevational view of FIG. 5.

(Continued)

FOREIGN PATENT DOCUMENTS

WO WO 2005/12493 2 A2 12/2005

FIG. 6 is a side elevational view of the electronic memory device.

OTHER PUBLICATIONS

Sony Press Release “TOPPAN and Sony Successfully Develop 25GB Paper Disc” Apr. 15, 2004, www.sony.net/SonyInfo/News/Press_Archive/200404/04-0415E/.

FIG. 6A is an enlarged view of a first portion of the side elevational view of FIG. 6.

(Continued)

FIG. 6B is an enlarged view of a second portion of the side elevational view of FIG. 6.

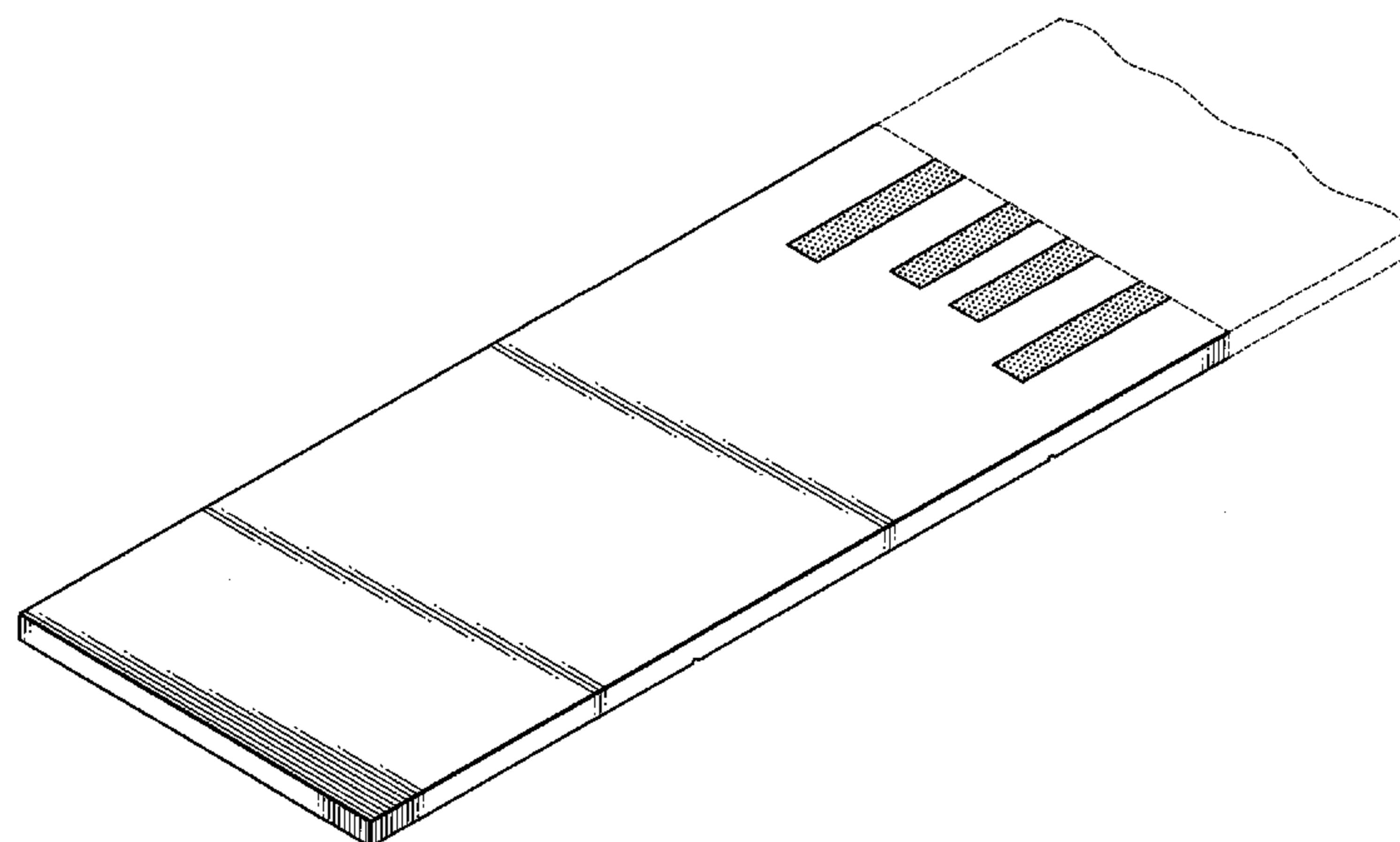
FIG. 7 is a rear elevational view of the electronic memory device; and,

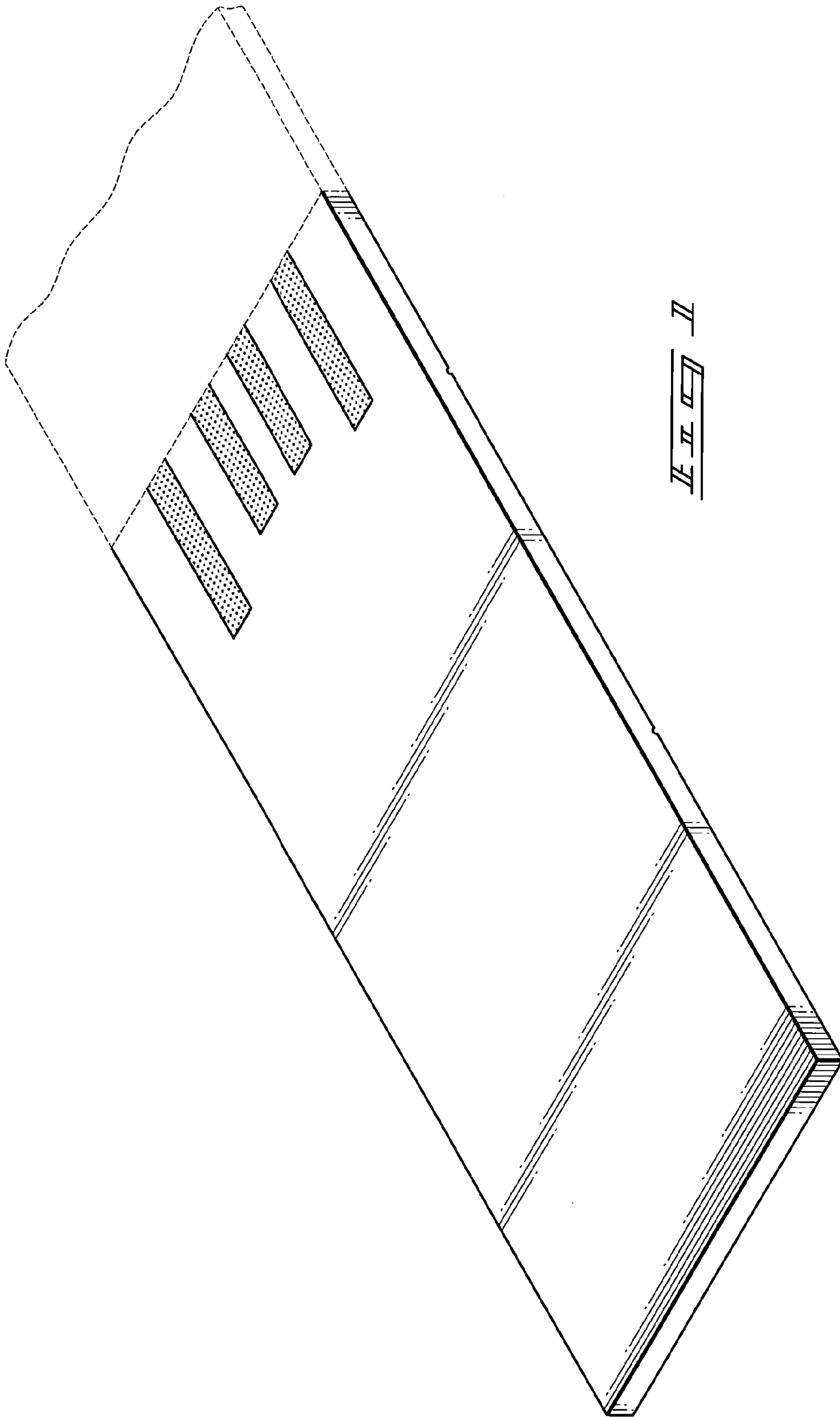
Primary Examiner—Susan Moon Lee

1 Claim, 7 Drawing Sheets

FIG. 8 is a front elevational view of the electronic memory device.

Throughout the figures, portions of the electronic memory device shown in broken lines form no part of the claimed design.





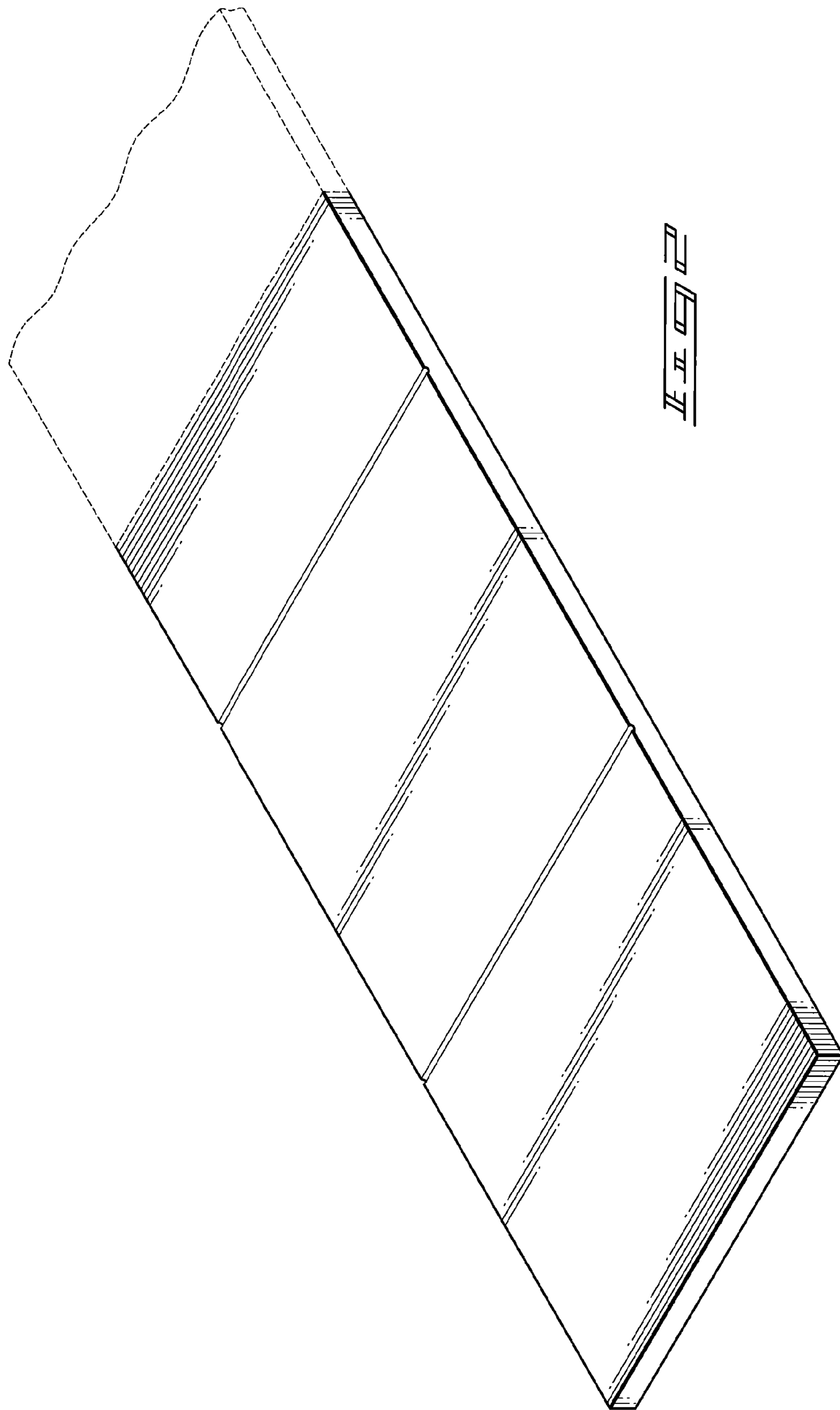


FIG. 2

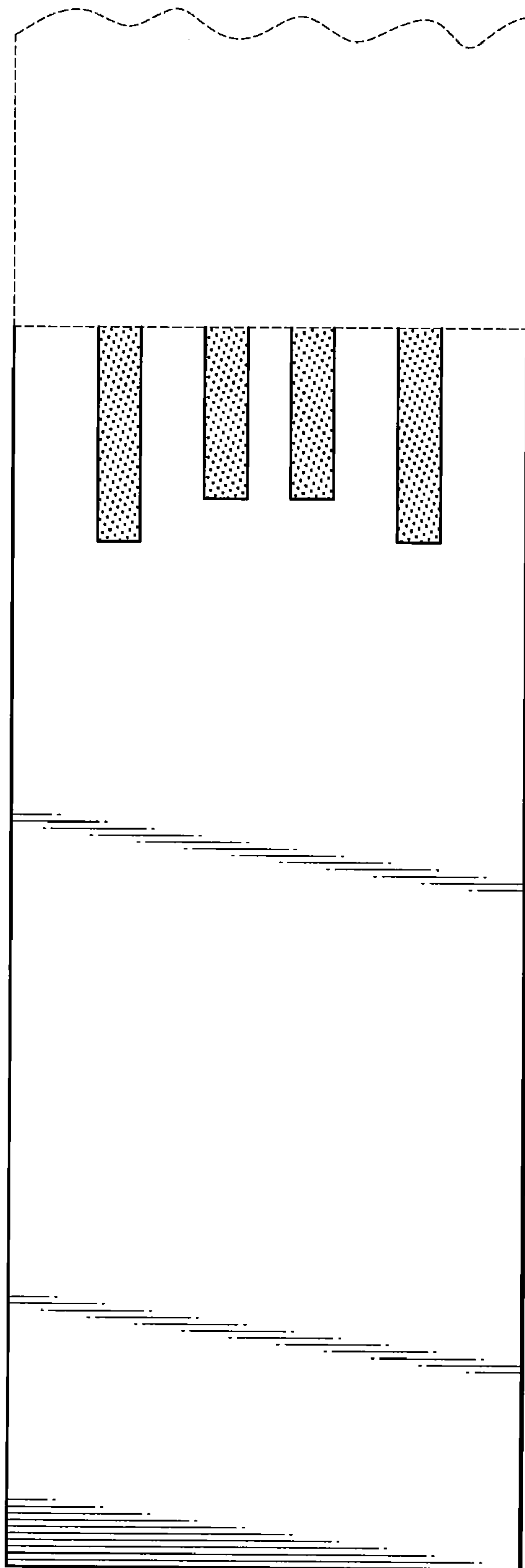


FIG. 3

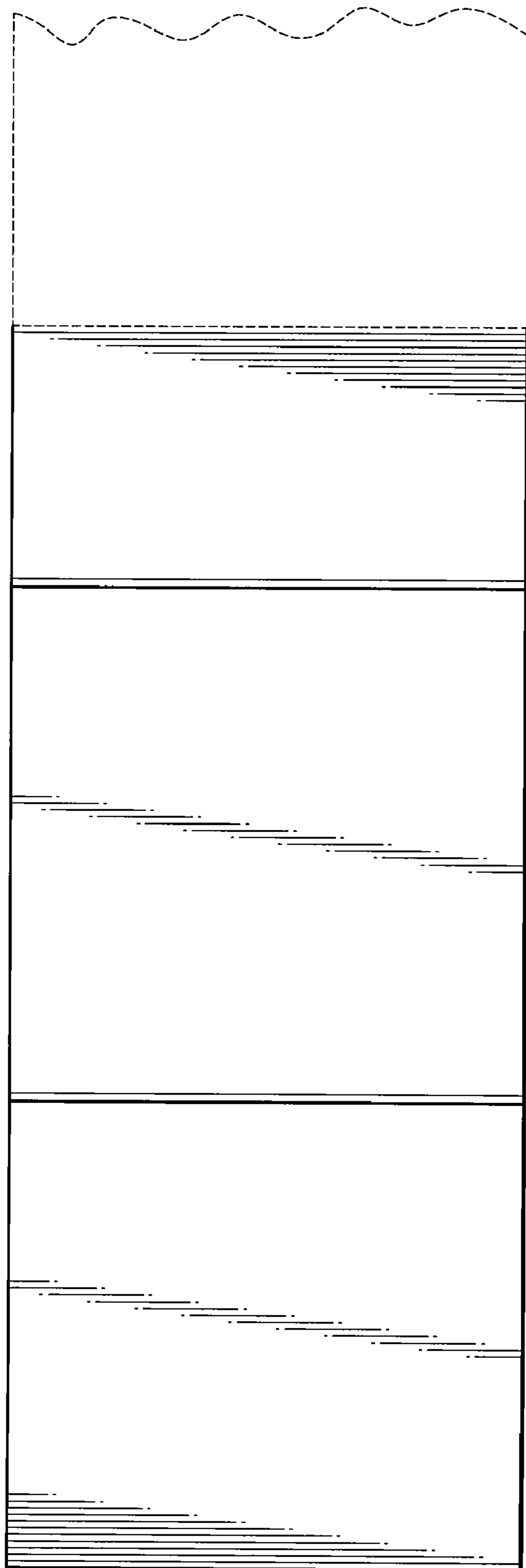
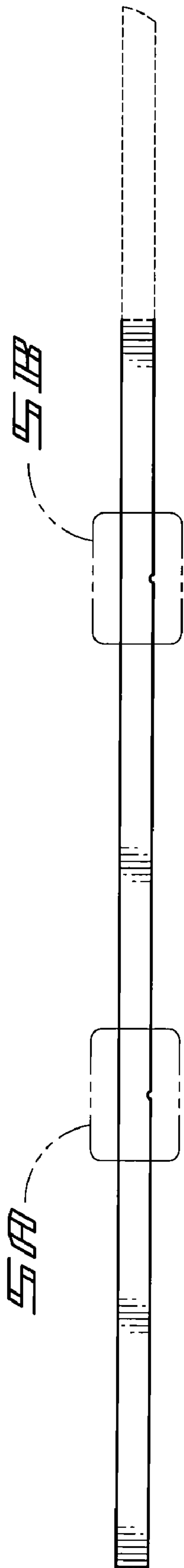
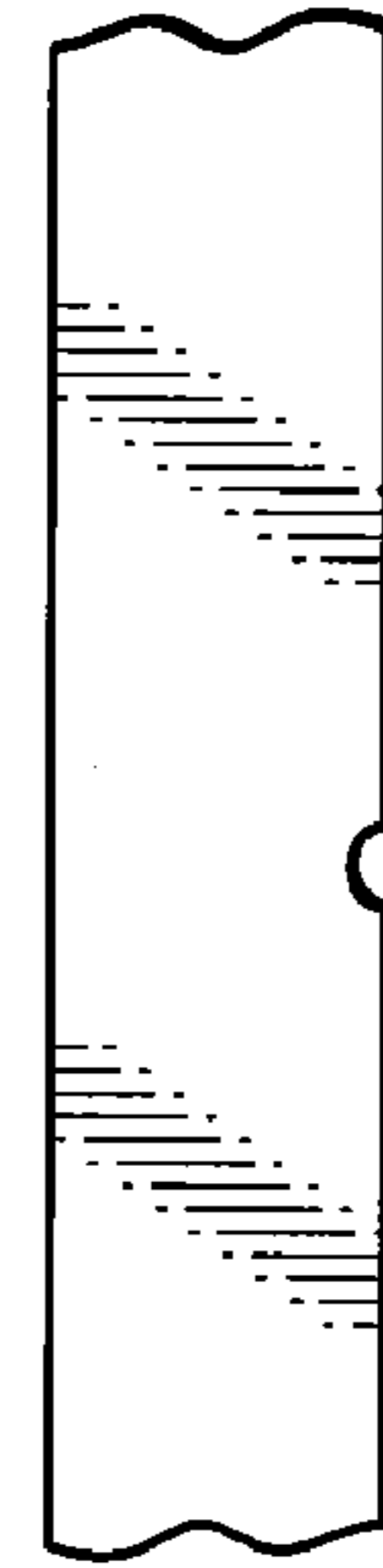


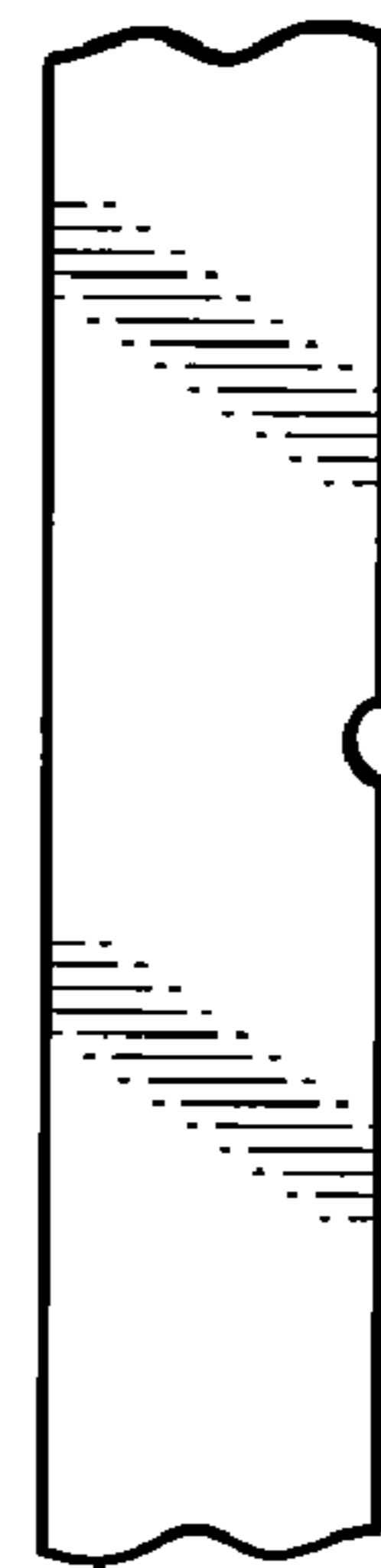
FIG. 4



518



518



519

