



US00D632297S

(12) **United States Design Patent**
Berntsen

(10) **Patent No.:** **US D632,297 S**

(45) **Date of Patent:** **** Feb. 8, 2011**

(54) **CARD HOLDER**

(76) **Inventor:** **Knut Berntsen**, Sigurds Vei 9 / 1473,
Lørenskog (NO)

(**) **Term:** **14 Years**

(21) **Appl. No.:** **29/344,838**

(22) **Filed:** **Oct. 5, 2009**

(51) **LOC (9) Cl.** **14-02**

(52) **U.S. Cl.** **D14/435**

(58) **Field of Classification Search** D14/435,
D14/436, 437, 438, 432, 356; D3/294, 273,
D3/201, 203.5, 203.6, 284, 295, 903, 203.1,
D3/203.2, 247, 249, 250, 227; D9/414, 422,
D9/424, 430, 432, 415; D28/83, 77, 78;
D6/632, 407, 634, 635, 627-629, 314; 206/38,
206/38.1, 39, 232, 804, 815, 308.1, 308.3,
206/472, 473, 483, 474, 477, 480, 569, 570,
206/482, 485, 486, 320, 305, 307, 307.1,
206/450, 701, 722, 387.1, 387.13, 491, 455,
206/316.1, 316.2, 706, 725, 312, 223, 235,
206/236, 811, 710, 454, 581, 531, 493, 445,
206/311, 823, 574, 37, 39.4, 39.5, 39.6, 39.1,
206/39.3, 776, 709, 449, 555, 807; 206/459.5,
206/556; 361/756, 686, 801, 802, 737, 752,
361/727; 150/147, 149, 150, 900, 131; 235/486,
235/487, 451, 492, 493, 380, 386, 382, 488;
242/378.2, 375, 385.1, 371, 400; 439/630,
439/945, 61, 135, 946; 53/471; 40/642.02,
40/655, 661.07, 765, 1.5, 427, 777, 649,
40/1.6, 666, 661.04, 27.5, 661, 653, 308;
224/277, 929, 162, 269, 191, 254, 255, 274,
224/245, 196; 220/4.22, 526, 281, 315, 326,
220/826, 263, 835, 324, 838, 4.23, 839; 16/361;
215/201; 211/40; 70/276, 58, 63; 190/109,
190/117, 901; 312/244; 402/3, 76; D7/629;
D8/339, 330, 331, 343; 292/116, 137, 148,
292/156, 302, DIG. 11; 132/293-295, 298,
132/301, 300; D21/333, 54, 55, 57; D99/34;
24/3.11, 3.12; 403/348; D20/43; D19/78,
D19/90, 1; 382/124; 356/71; 383/43, 106;
283/904; 281/42; D11/78.1; 174/353, 372,
174/386, 535; 109/23, 24; 340/568.7

See application file for complete search history.

(56) **References Cited**

U.S. PATENT DOCUMENTS

| | | | | | | |
|-----------|---|---|---------|--------------|-------|-----------|
| D30,603 | S | * | 4/1899 | Kruttschnitt | | D3/247 |
| 1,670,343 | A | * | 5/1928 | Clemens | | 206/39.5 |
| D168,398 | S | * | 12/1952 | Gazan | | D3/247 |
| D189,333 | S | * | 11/1960 | Hayden | | D3/247 |
| 3,029,537 | A | * | 4/1962 | Hopp et al. | | 40/653 |
| 3,860,248 | A | * | 1/1975 | Hunt et al. | | 206/308.3 |
| 3,958,690 | A | * | 5/1976 | Gee, Sr. | | 206/232 |
| 4,356,646 | A | * | 11/1982 | Johnson, Jr. | | 40/651 |

(Continued)

Primary Examiner—Susan Moon Lee

(74) *Attorney, Agent, or Firm*—Kolisich Hartwell, PC

(57) **CLAIM**

I claim the ornamental design for a card holder, as shown and described.

DESCRIPTION

FIG. 1 is a right, front perspective view of a card holder according to an embodiment of the invention, where a left, front perspective view of the card holder shown in FIG. 1 is a mirror image of FIG. 1.

FIG. 2 is a left, rear perspective view of the card holder of FIG. 1, where a right, rear perspective view of the card holder shown in FIG. 1 is a mirror image of FIG. 2.

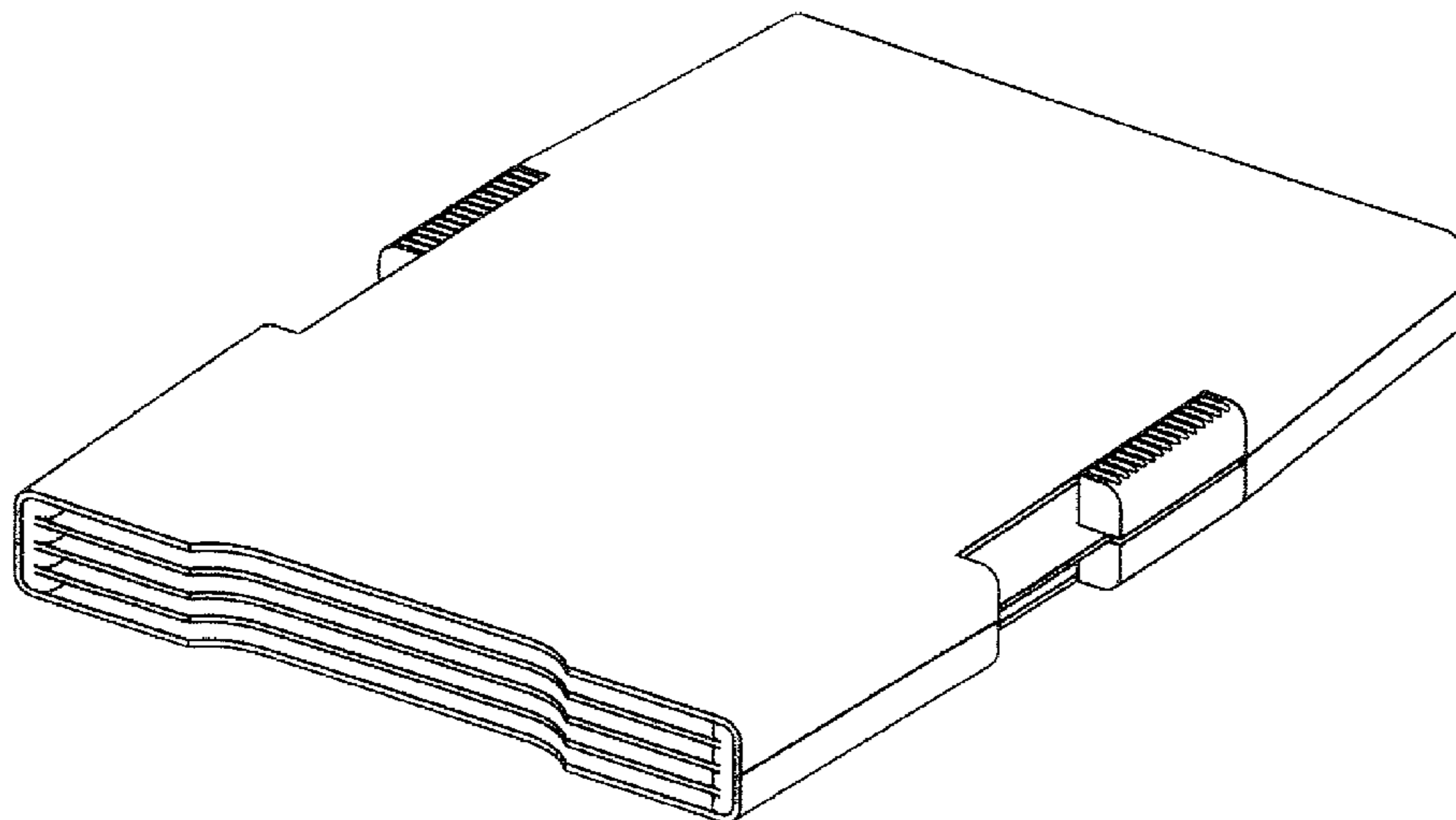
FIG. 3 is a top plan view of the card holder of FIG. 1, where a bottom plan view of the card holder shown in FIG. 1 is the same as FIG. 3.

FIG. 4 is a right elevation view of the card holder of FIG. 1, where a left elevation view of the card holder of FIG. 1 is a mirror image of FIG. 4.

FIG. 5 is a front elevation view of the card holder of FIG. 1; and,

FIG. 6 is a rear elevation view of the card holder of FIG. 1.

1 Claim, 6 Drawing Sheets



US D632,297 S

U.S. PATENT DOCUMENTS

| | | | | | | | | | |
|-----------|------|---------|-------------------|-----------|--------------|------|---------|------------------|-----------|
| 4,518,080 | A * | 5/1985 | Ohlson | 206/39 | D453,515 | S * | 2/2002 | Brewer et al. | D14/436 |
| 4,531,878 | A * | 7/1985 | Tamura | 414/412 | 6,356,456 | B2 * | 3/2002 | Eskildsen | 361/801 |
| 4,537,307 | A * | 8/1985 | Tamura | 206/455 | 6,357,739 | B2 * | 3/2002 | Sasaki et al. | 271/145 |
| 4,691,456 | A * | 9/1987 | Ackeret | 40/721 | 6,373,706 | B1 * | 4/2002 | Kasahara et al. | 361/725 |
| 4,778,056 | A * | 10/1988 | Faulstick et al. | 206/564 | 6,409,012 | B2 * | 6/2002 | Shiga et al. | 206/232 |
| D314,865 | S * | 2/1991 | Tuisku | D3/247 | D470,657 | S * | 2/2003 | Kawamura | D3/247 |
| 5,026,039 | A * | 6/1991 | Kuzuya et al. | 271/11 | 6,561,506 | B2 * | 5/2003 | Sasaki et al. | 271/145 |
| 5,125,505 | A * | 6/1992 | Kurosaki | 206/39.4 | 6,571,940 | B2 * | 6/2003 | Newman | 206/38 |
| D330,022 | S * | 10/1992 | Chen | D14/436 | 6,594,154 | B1 * | 7/2003 | Brewer et al. | 361/801 |
| 5,184,282 | A * | 2/1993 | Kaneda et al. | 361/737 | 6,834,809 | B2 * | 12/2004 | Ogushi | 235/483 |
| 5,326,964 | A * | 7/1994 | Risser | 235/487 | 6,848,577 | B2 * | 2/2005 | Kawamura et al. | 206/449 |
| 5,385,235 | A * | 1/1995 | Ikebe et al. | 206/308.1 | 6,898,884 | B1 * | 5/2005 | Meyenberg | 40/649 |
| 5,467,871 | A * | 11/1995 | DeField | 206/232 | D507,110 | S * | 7/2005 | Hicks et al. | D3/318 |
| D364,861 | S * | 12/1995 | Luong | D14/436 | D510,186 | S * | 10/2005 | Bell | D3/247 |
| 5,531,324 | A * | 7/1996 | Kosaki et al. | 206/449 | D523,860 | S * | 6/2006 | Xu et al. | D14/436 |
| 5,718,329 | A * | 2/1998 | Ippolito et al. | 206/38 | 7,161,747 | B2 * | 1/2007 | Yang, Jr. | 359/812 |
| 5,740,624 | A * | 4/1998 | Baseley | 40/649 | 7,161,811 | B2 * | 1/2007 | Richter | 361/737 |
| D404,566 | S * | 1/1999 | Archer | D3/247 | 7,162,547 | B2 * | 1/2007 | Hosaka et al. | 710/8 |
| 5,901,764 | A * | 5/1999 | Ritter | 150/147 | D537,382 | S * | 2/2007 | Yang | D11/216 |
| D411,524 | S * | 6/1999 | Kitagawa et al. | D14/356 | 7,172,127 | B1 * | 2/2007 | Poland | 235/486 |
| 5,929,427 | A * | 7/1999 | Harada et al. | 235/492 | 7,179,129 | B1 * | 2/2007 | Hwang | 439/630 |
| 5,944,182 | A * | 8/1999 | Williams et al. | 206/308.3 | D547,062 | S * | 7/2007 | Chang | D3/247 |
| D414,481 | S * | 9/1999 | Wu | D14/436 | 7,293,647 | B2 * | 11/2007 | Wong et al. | 206/307.1 |
| 5,954,198 | A * | 9/1999 | Ikebe et al. | 206/308.3 | 7,308,771 | B2 * | 12/2007 | Memelink | 40/649 |
| 5,960,948 | A * | 10/1999 | Shiga et al. | 206/232 | D561,469 | S * | 2/2008 | Jensen et al. | D3/247 |
| 5,984,441 | A * | 11/1999 | Stokhuijzen | 312/240 | D573,634 | S * | 7/2008 | Horiuchi et al. | D18/56 |
| 5,988,374 | A * | 11/1999 | Funawatari et al. | 206/308.1 | 7,395,623 | B2 * | 7/2008 | Park et al. | 40/312 |
| 6,016,954 | A * | 1/2000 | Abe et al. | 235/379 | D575,506 | S * | 8/2008 | Huang | D3/247 |
| 6,021,901 | A * | 2/2000 | Wolfe | 206/531 | 7,443,690 | B2 * | 10/2008 | Matsumoto et al. | 361/737 |
| 6,050,014 | A * | 4/2000 | Ohlson | 40/649 | D585,448 | S * | 1/2009 | Kawaguchi et al. | D14/435 |
| 6,089,289 | A * | 7/2000 | Florjancic | 150/147 | D586,815 | S * | 2/2009 | Friedman | D14/436 |
| 6,095,327 | A * | 8/2000 | Ikebe et al. | 206/308.3 | D597,058 | S * | 7/2009 | Sheppard | D14/142 |
| 6,097,605 | A * | 8/2000 | Klatt et al. | 361/737 | 7,578,446 | B2 * | 8/2009 | Yen | 235/486 |
| 6,121,544 | A * | 9/2000 | Petsinger | 174/353 | 7,597,315 | B2 * | 10/2009 | Yamamoto et al. | 271/145 |
| D431,568 | S * | 10/2000 | Chan et al. | D14/436 | D605,079 | S * | 12/2009 | Yang | D11/216 |
| D431,719 | S * | 10/2000 | Mucarquer | D3/247 | D613,293 | S * | 4/2010 | Sheba | D14/435 |
| 6,155,410 | A * | 12/2000 | Davis | 206/39.5 | D622,179 | S * | 8/2010 | Frye | D11/216 |
| D437,485 | S * | 2/2001 | Hicks et al. | D3/318 | 7,789,232 | B2 * | 9/2010 | Suito et al. | 206/449 |
| 6,186,403 | B1 * | 2/2001 | Ozbey et al. | 235/487 | 2002/0056652 | A1 * | 5/2002 | Kawamura et al. | 206/37 |
| 6,213,313 | B1 * | 4/2001 | Levy | 211/51 | 2004/0041024 | A1 * | 3/2004 | Liu et al. | 235/441 |
| 6,219,256 | B1 * | 4/2001 | Wu | 361/801 | 2005/0199710 | A1 * | 9/2005 | Richter | 235/380 |
| 6,227,732 | B1 * | 5/2001 | Higuchi et al. | 400/624 | 2006/0186196 | A1 * | 8/2006 | Schultz et al. | 235/380 |
| D444,789 | S * | 7/2001 | Obata | D14/436 | 2008/0011628 | A1 * | 1/2008 | Lin | 206/307 |
| D447,337 | S * | 9/2001 | Sardina | D3/247 | 2008/0166898 | A1 * | 7/2008 | Hubert et al. | 439/64 |
| 6,318,918 | B1 * | 11/2001 | Sasaki et al. | 400/624 | 2008/0272191 | A1 * | 11/2008 | Yen | 235/380 |
| 6,341,710 | B1 * | 1/2002 | Danielson et al. | 220/281 | 2009/0000969 | A1 * | 1/2009 | Walker et al. | 206/307 |

* cited by examiner

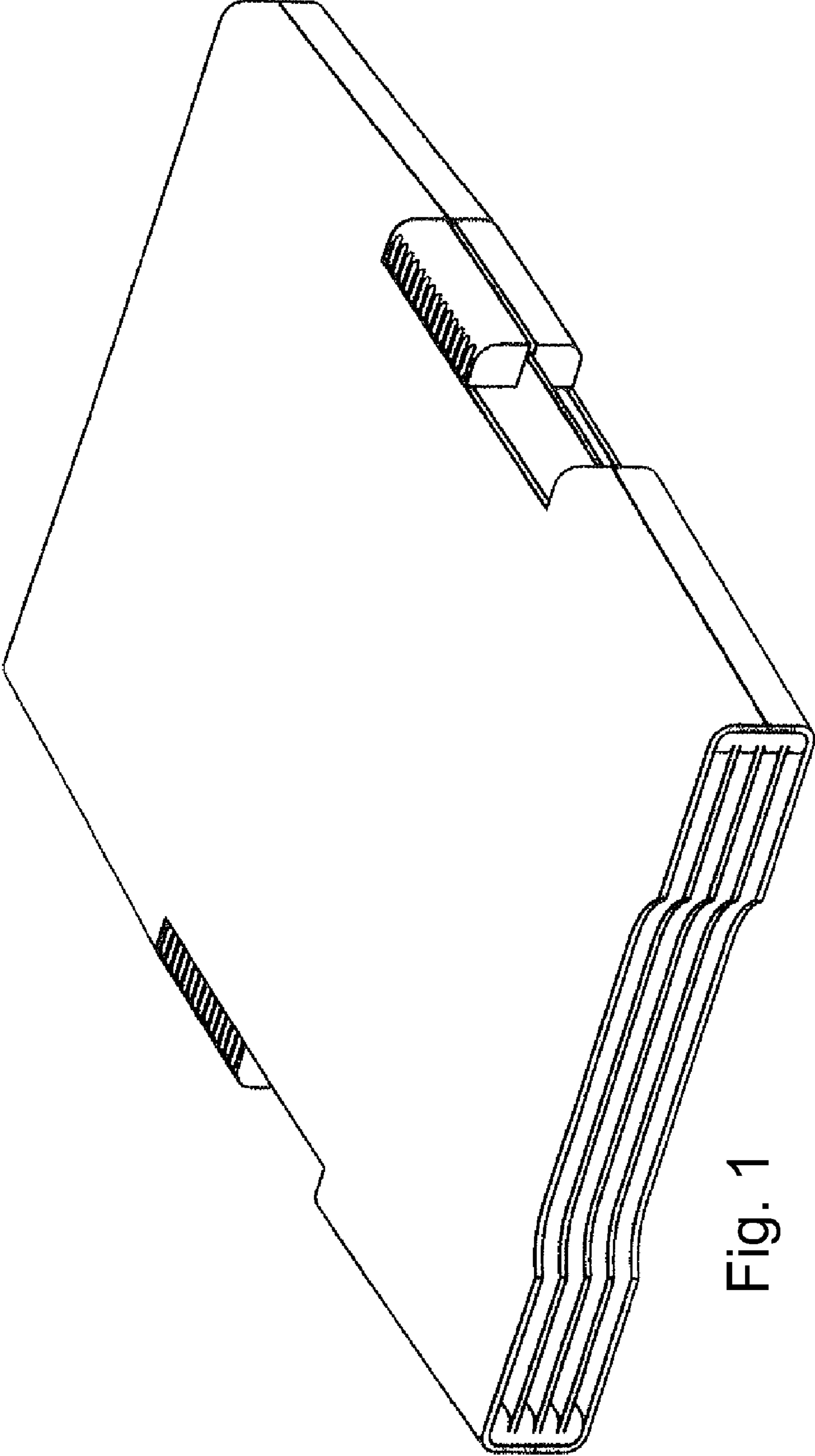


Fig. 1

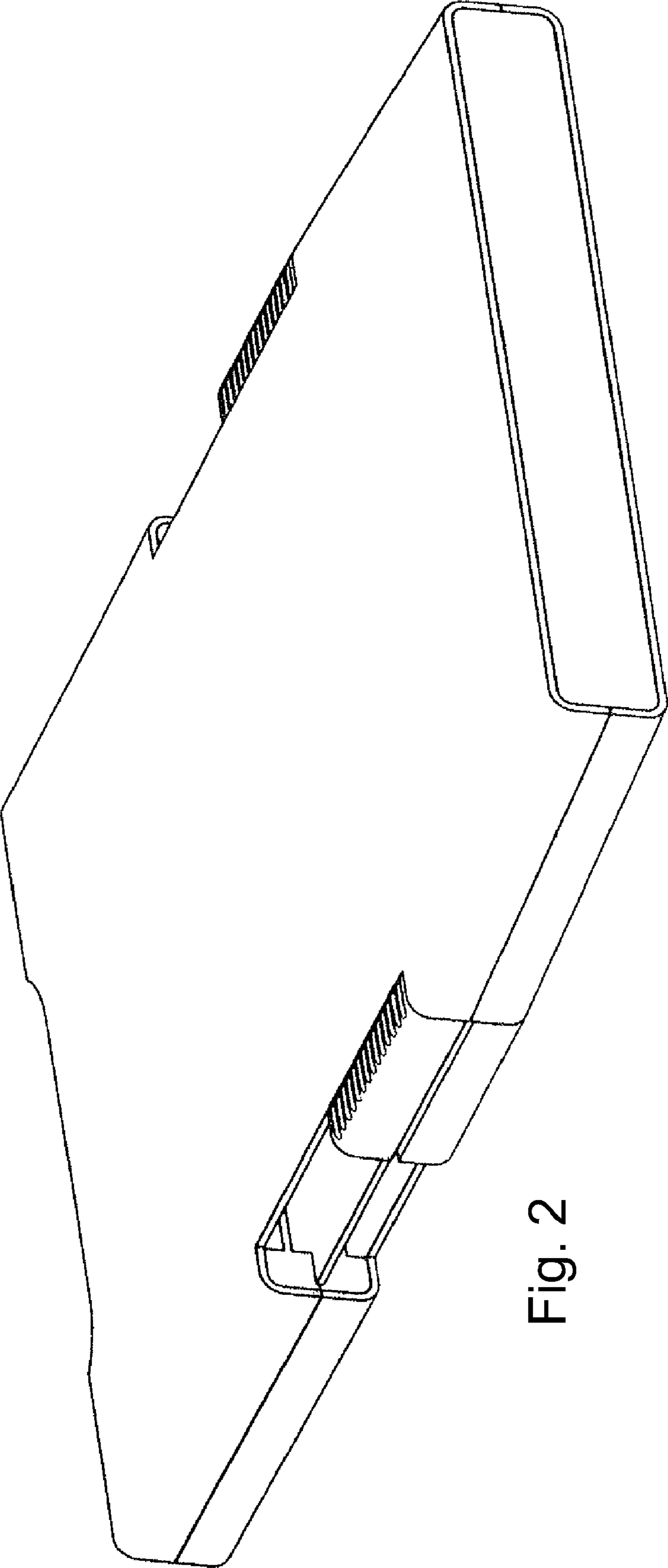


Fig. 2

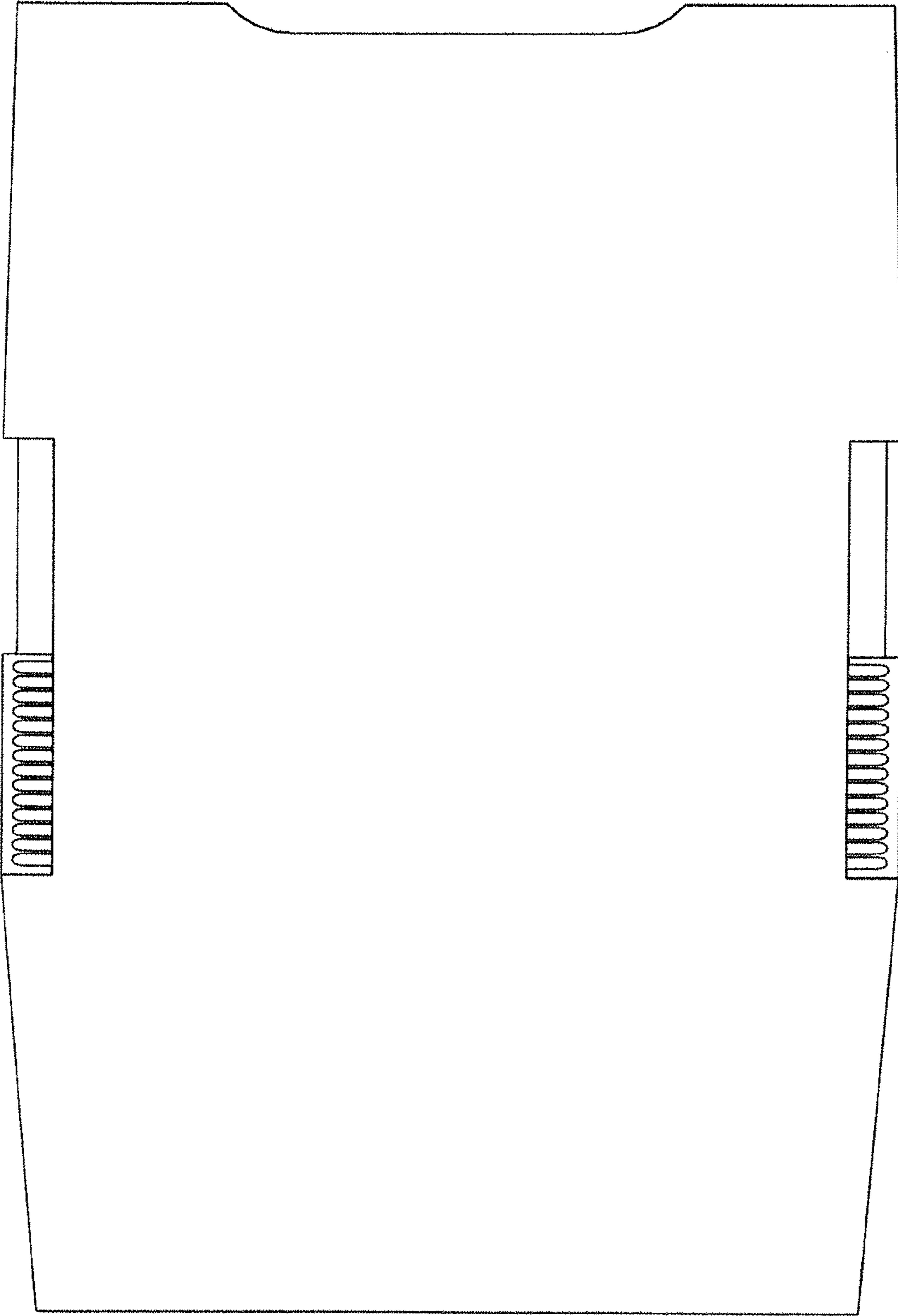


Fig. 3

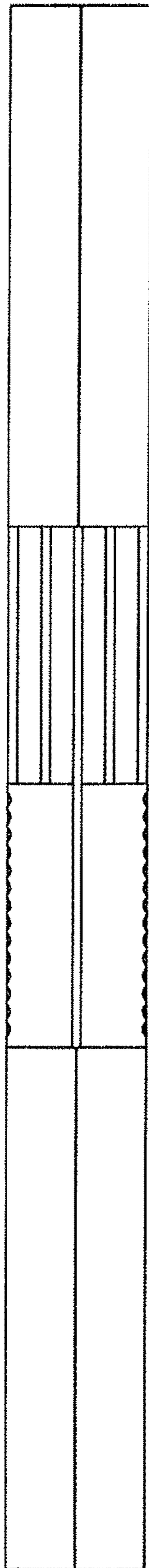


Fig. 4

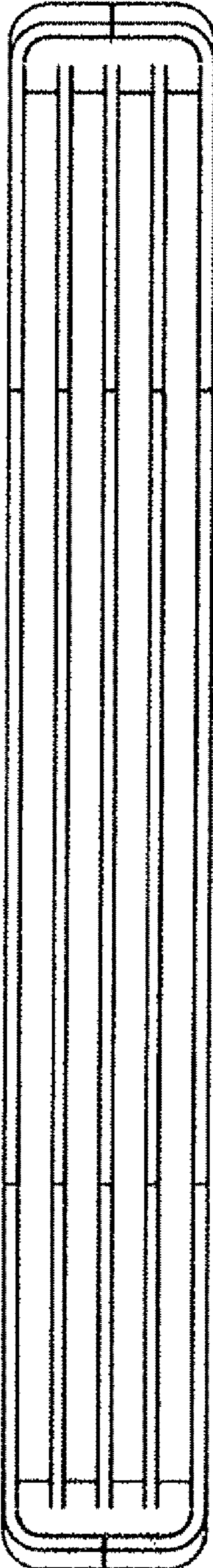


Fig. 5

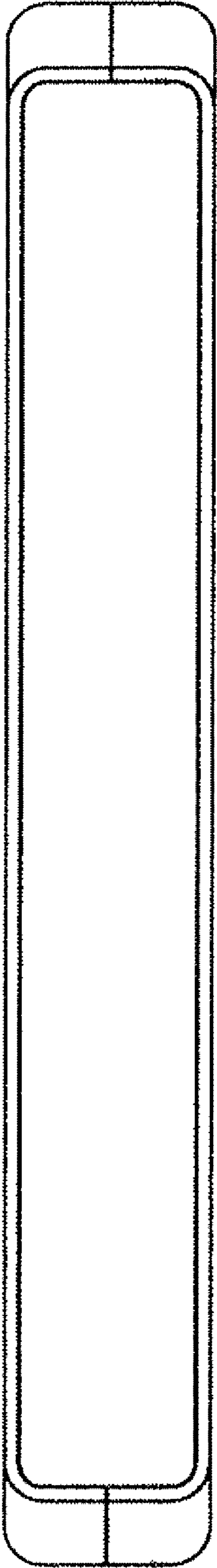


Fig. 6