



US00D632295S

(12) **United States Design Patent**
Kuroda

(10) **Patent No.:** **US D632,295 S**
(45) **Date of Patent:** **** Feb. 8, 2011**

(54) **SCANNER**

(75) Inventor: **Hiroyuki Kuroda**, Kahoku (JP)

(73) Assignee: **PFU Limited**, Ishikawa (JP)

(**) Term: **14 Years**

(21) Appl. No.: **29/347,545**

(22) Filed: **Mar. 1, 2010**

(30) **Foreign Application Priority Data**

Jan. 22, 2010 (JP) 2010-001364

(51) **LOC (9) Cl.** **14-02**

(52) **U.S. Cl.** **D14/422**

(58) **Field of Classification Search** D14/420-425,
D14/462-470, 389, 125, 399; D18/50, 54,
D18/55, 53, 36-39, 14, 18-21, 49, 52, 51,
D18/54.4; 358/400, 401, 448, 474, 486-488,
358/496; 382/312, 317, 321, 315; 400/613,
400/613.1-613.4, 690.1-690.4, 691-694,
400/88, 175; 399/107, 379, 380, 211, 212;
235/462.11, 462.41, 472.01, 470, 462.43;
361/680, 681

See application file for complete search history.

(56) **References Cited**

U.S. PATENT DOCUMENTS

- D263,831 S * 4/1982 Barbera et al. D14/462
- D264,846 S * 6/1982 Taguchi D14/462
- 4,806,036 A * 2/1989 Ward et al. 400/691
- D312,079 S * 11/1990 Komatsu D14/469
- D315,360 S * 3/1991 Tokuda et al. D18/54
- D333,316 S * 2/1993 Ishizawa D18/55
- D337,578 S * 7/1993 Nagele D14/469
- D340,740 S * 10/1993 Kawashima D18/50
- D344,513 S * 2/1994 Taniuchi et al. D14/144
- D350,977 S * 9/1994 Lewis et al. D18/50
- D378,927 S * 4/1997 Kasahara et al. D18/50

- D399,524 S * 10/1998 Nakajima D18/50
- D408,799 S * 4/1999 Daury D14/385
- D422,570 S * 4/2000 Kobayashi D14/509
- D443,878 S * 6/2001 Sakata et al. D14/422
- D444,813 S * 7/2001 Quijano D18/55
- 6,540,219 B1 * 4/2003 Naruse et al. 271/37
- D475,052 S * 5/2003 Chujou et al. D14/422
- 6,568,674 B2 * 5/2003 Matsuda 271/274
- D478,618 S * 8/2003 Obara D18/54
- D518,826 S * 4/2006 Chujou et al. D14/422
- D571,370 S 6/2008 Sugitani et al.
- D573,596 S * 7/2008 Laidlaw et al. D14/422
- D579,016 S * 10/2008 Romanoff et al. D14/422
- 2003/0063337 A1 * 4/2003 Shirai et al. 358/498

* cited by examiner

Primary Examiner—Susan Mon Lee

(74) *Attorney, Agent, or Firm*—Staas & Halsey LLP

(57) **CLAIM**

The ornamental design for a scanner, as shown and described.

DESCRIPTION

FIG. 1 is a front perspective view of a scanner showing my new design;

FIG. 2 is a front view thereof;

FIG. 3 is a rear view thereof;

FIG. 4 is a right side elevational view thereof;

FIG. 5 is a left side elevational view thereof;

FIG. 6 is a top plan view thereof;

FIG. 7 is a bottom plan view thereof; and,

FIG. 8 is a front perspective view of similar to FIG. 1 in the open position.

The portion depicted by a broken line in the representations is for illustrative purposes only and forms no part of the claimed design.

1 Claim, 4 Drawing Sheets

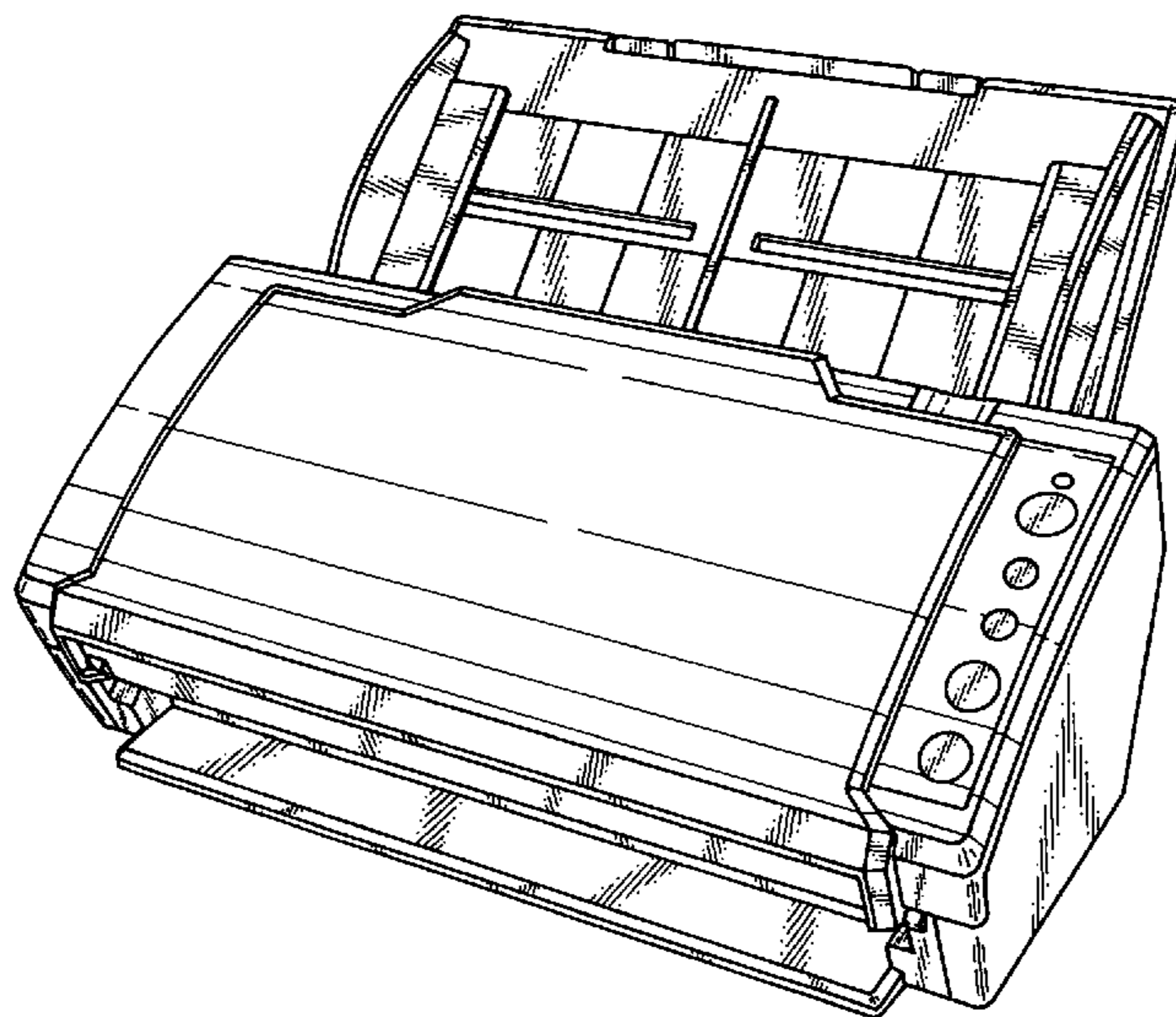


Fig.1

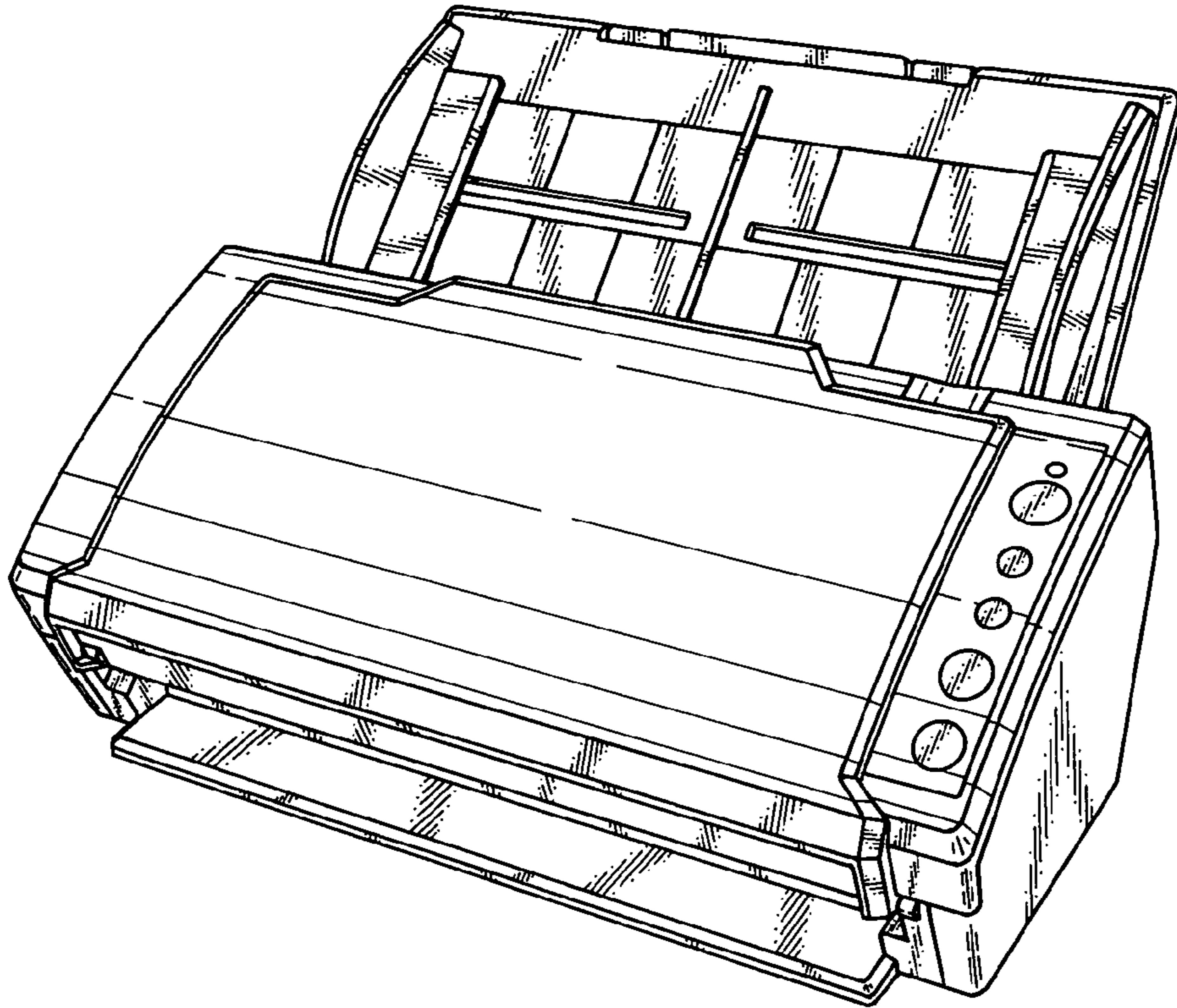


Fig.2

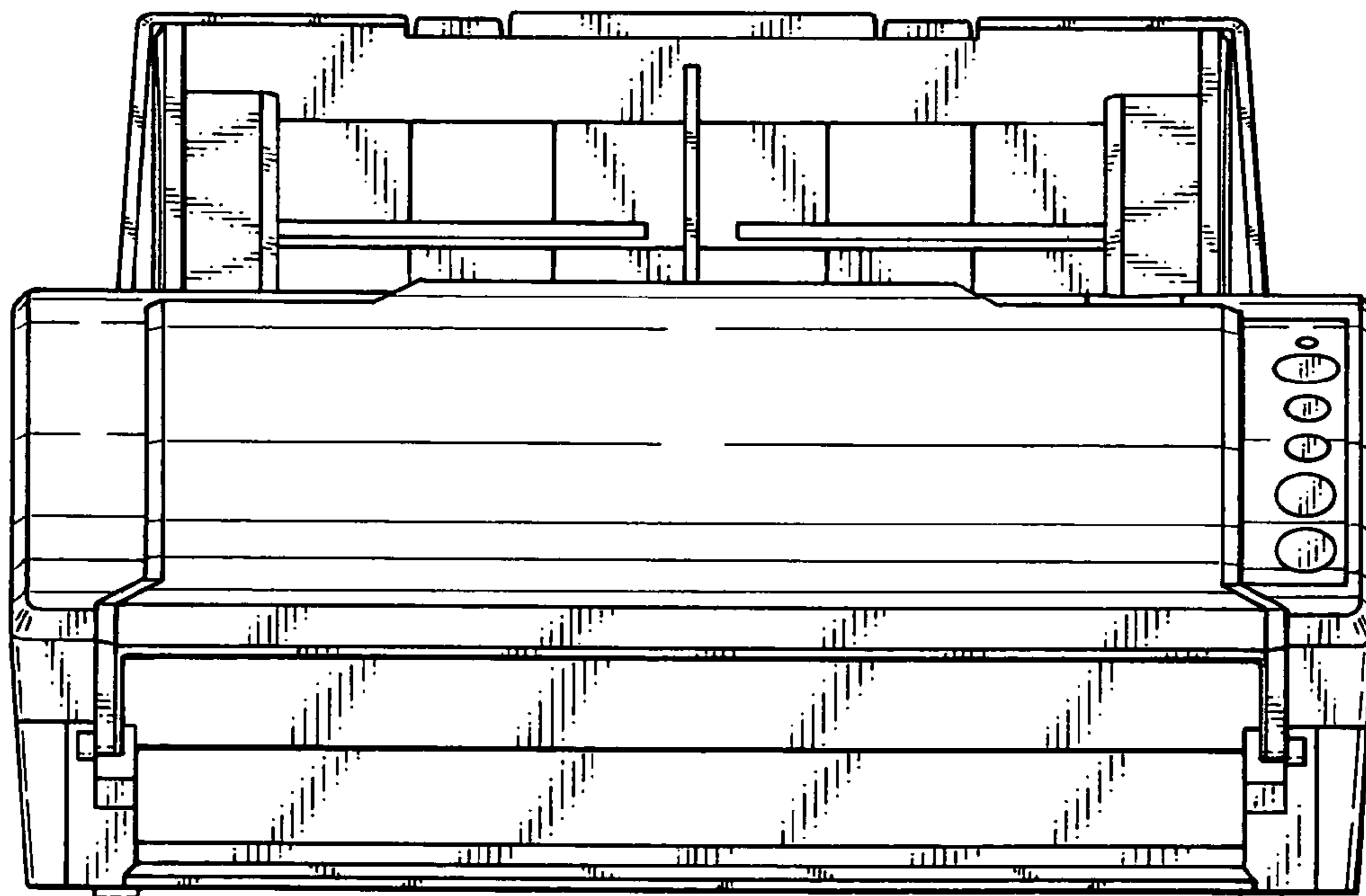


Fig.3

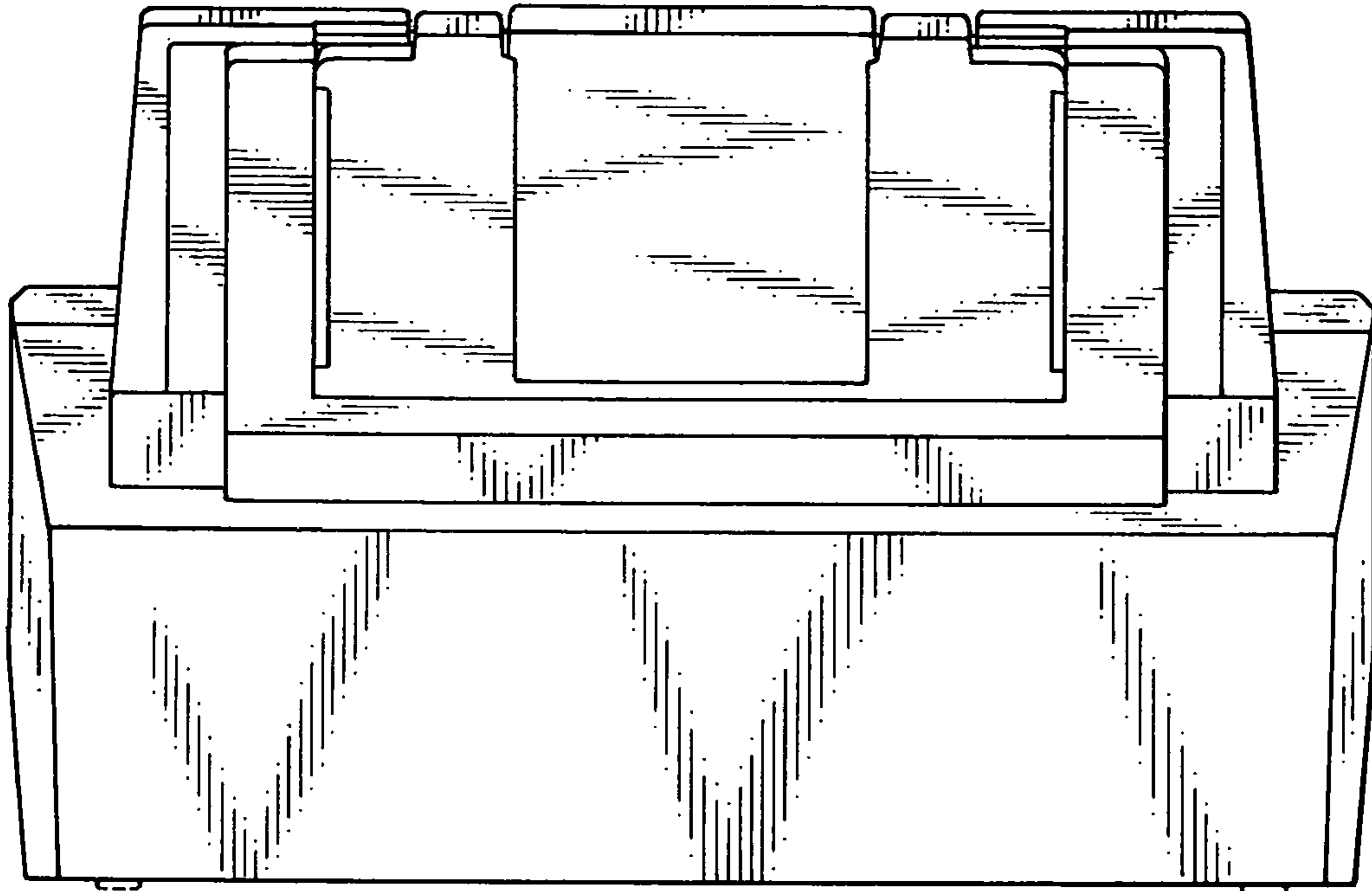


Fig.4

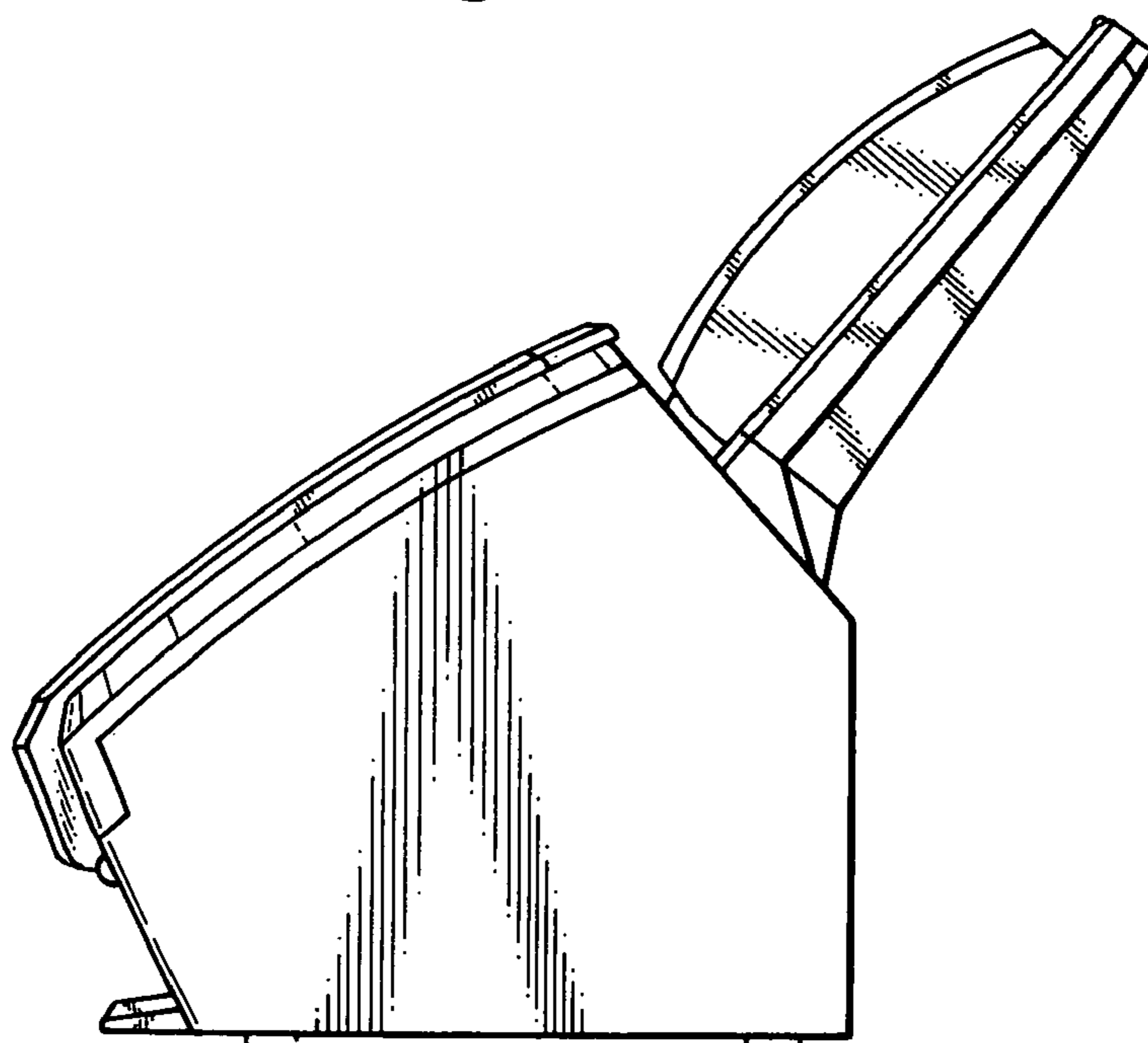


Fig.5

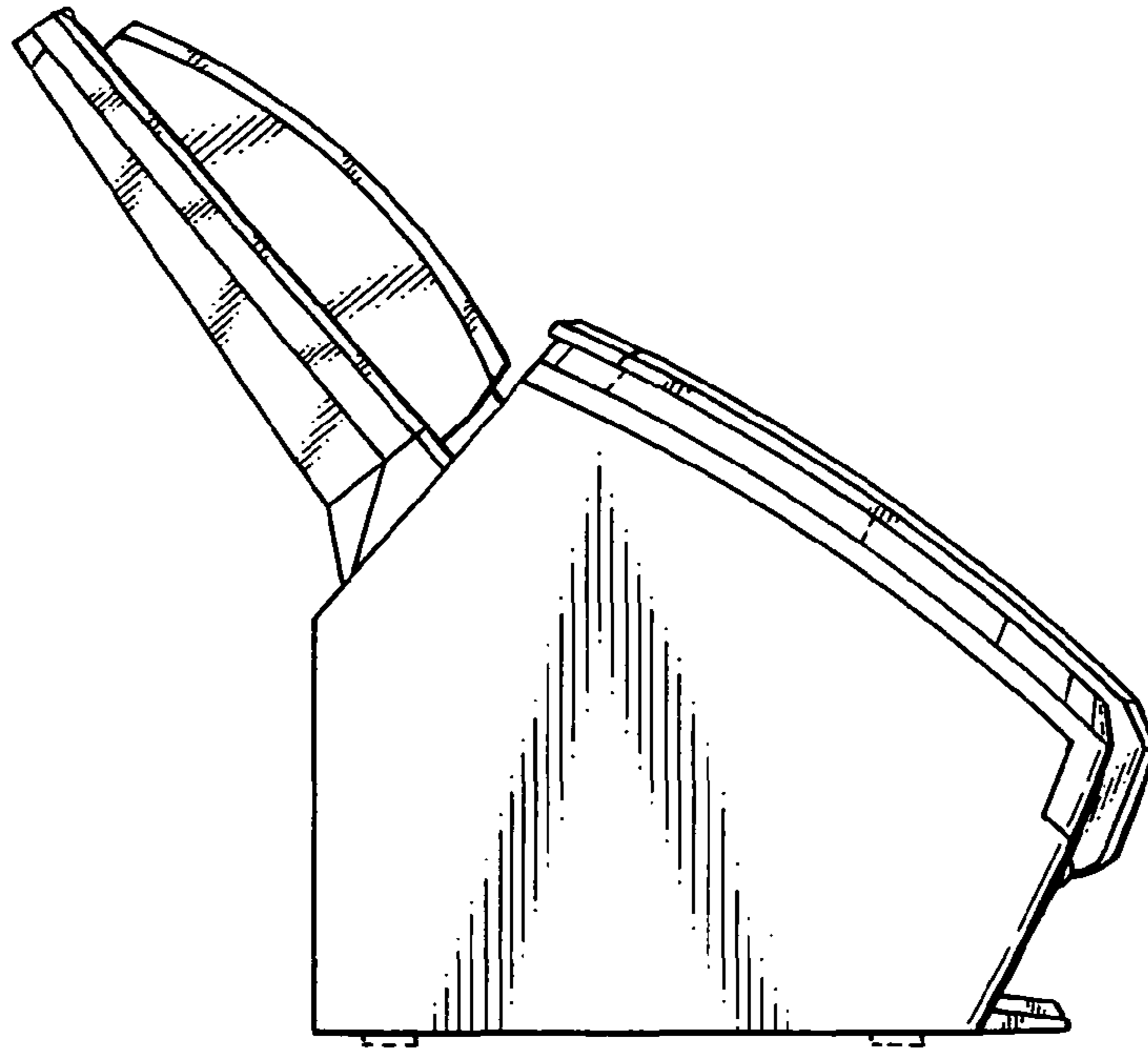


Fig.6

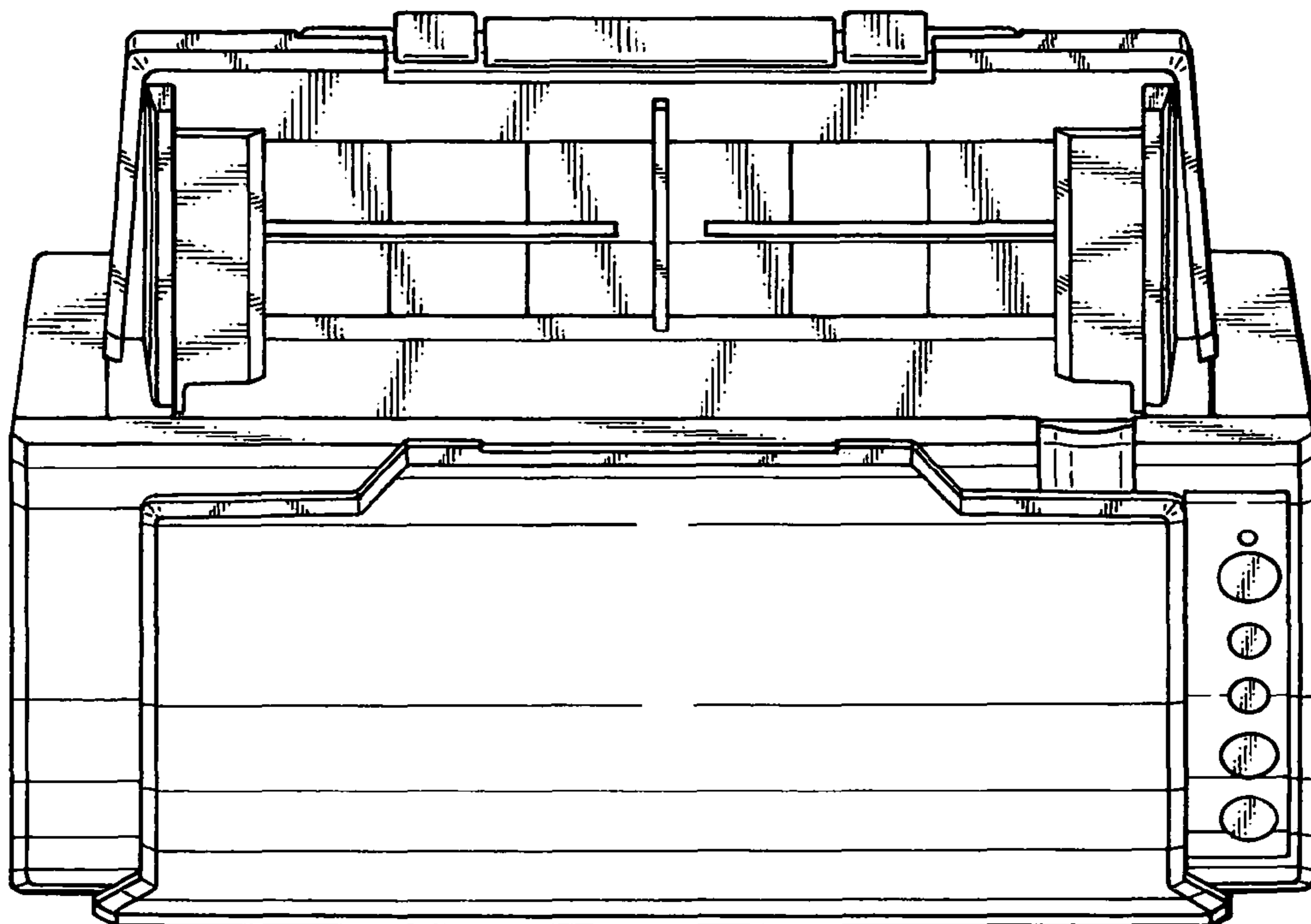


Fig.7

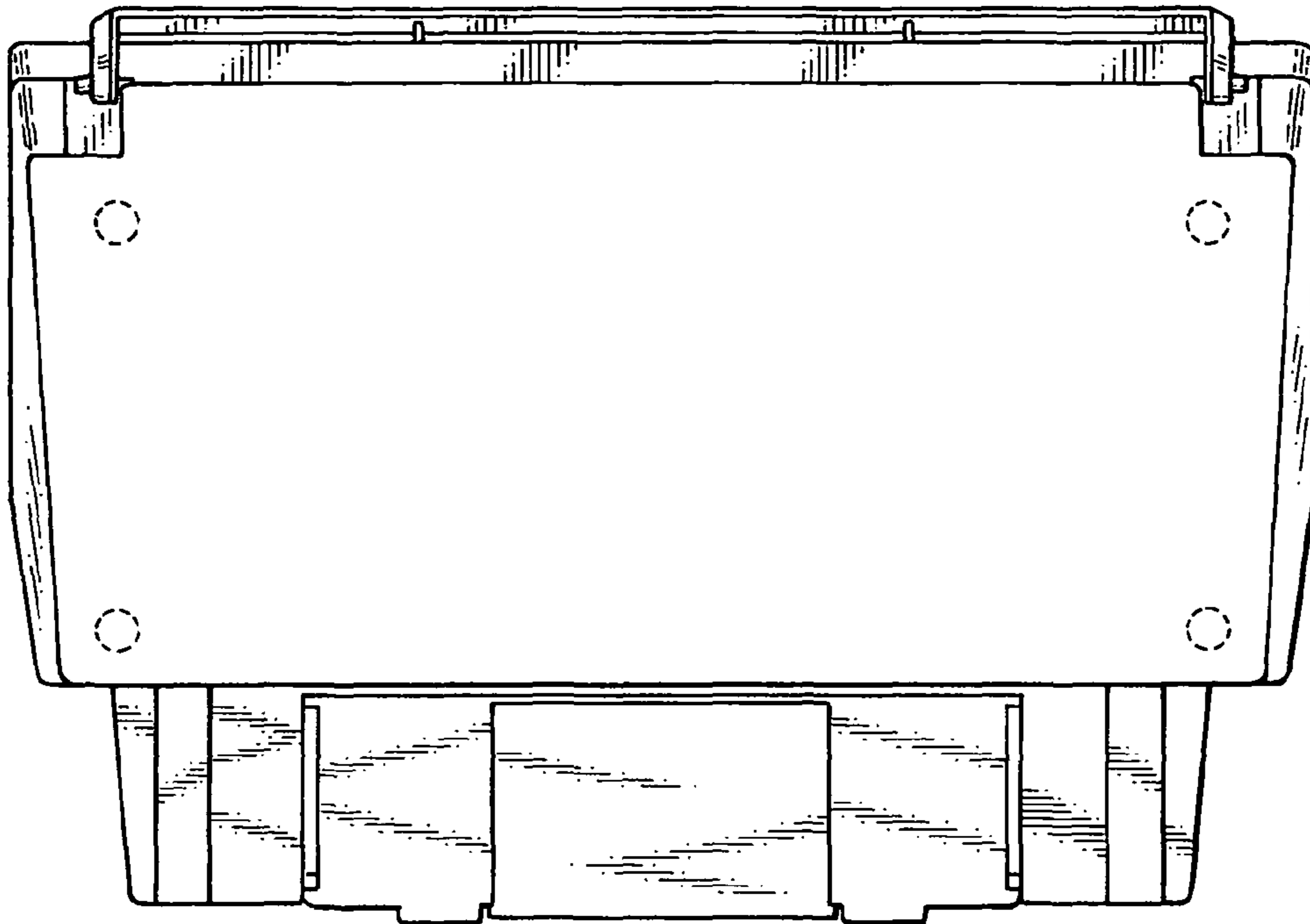


Fig. 8

