



US00D632294S

(12) **United States Design Patent**  
**Frank et al.**

(10) **Patent No.:** **US D632,294 S**  
(45) **Date of Patent:** **\*\* Feb. 8, 2011**

(54) **JOYSTICK CONTROL UNIT**

(57) **CLAIM**

(75) Inventors: **Jeffrey D. Frank**, Santa Barbara, CA (US); **Guy Pas**, Hoogstraten (BE); **Patrick B. Richardson**, Santa Barbara, CA (US); **Louis J. Rota, Jr.**, Stow, MA (US); **Marcel Tremblay**, Goleta, CA (US); **Treasure Hinds**, Seattle, WA (US); **Anke Scheibhuber**, Cologne (DE); **Meng Xue**, Chiba (JP); **Jonathan Li**, Shanghai (CN)

The ornamental design for a joystick control unit, as shown and described.

(73) Assignee: **Flir Systems, Inc.**, Wilsonville, OR (US)

(\*\*) Term: **14 Years**

(21) Appl. No.: **29/332,119**

(22) Filed: **Feb. 9, 2009**

(51) **LOC (9) Cl.** ..... **14-02**

(52) **U.S. Cl.** ..... **D14/413; D16/237**

(58) **Field of Classification Search** ..... D14/217, D14/218, 356, 388, 389, 398, 400, 401, 412-416, D14/432-434, 454, 496; D21/324, 332, D21/333; D34/27, 35; 463/1, 30, 36-38, 463/46, 47; 345/156-161, 905; D12/174, D12/178-180; D8/300, 303; D15/138, 142; 74/489, 502.2, 523, 551.8, 551.9; D16/237  
See application file for complete search history.

**DESCRIPTION**

FIG. 1 is a front side view of a first embodiment of a joystick control unit;

FIG. 2 is a front perspective view of the first embodiment;

FIG. 3 is a front side view of a second embodiment of a joystick control unit;

FIG. 4 is a front perspective view of the second embodiment;

FIG. 5 is a front side view of a third embodiment of a joystick control unit;

FIG. 6 is a front perspective view of the third embodiment;

FIG. 7 is a front side view of a fourth embodiment of a joystick control unit;

FIG. 8 is a front perspective view of the fourth embodiment;

FIG. 9 is a back side view of the first, second, third, and fourth embodiments;

FIG. 10 is a left side view of the first, second, third, and fourth embodiments;

FIG. 11 is a right side view of the first, second, third, and fourth embodiments;

FIG. 12 is a top side view of the first, second, third, and fourth embodiments;

FIG. 13 is a bottom side view of the first, second, third, and fourth embodiments; and,

FIG. 14 is a rear perspective view of the first, second, third, and fourth embodiments.

The areas in broken lines are for illustrative purposes only and form no part of the claimed design.

The drawings of FIGS. 1, 2, 3, 4, 5, and 6 are lined for the color red.

(56) **References Cited**

**U.S. PATENT DOCUMENTS**

- D268,689 S \* 4/1983 Nishi ..... D21/566
- D306,998 S \* 4/1990 Mintz et al. .... D13/164
- D349,290 S \* 8/1994 Christensen et al. .... D14/217

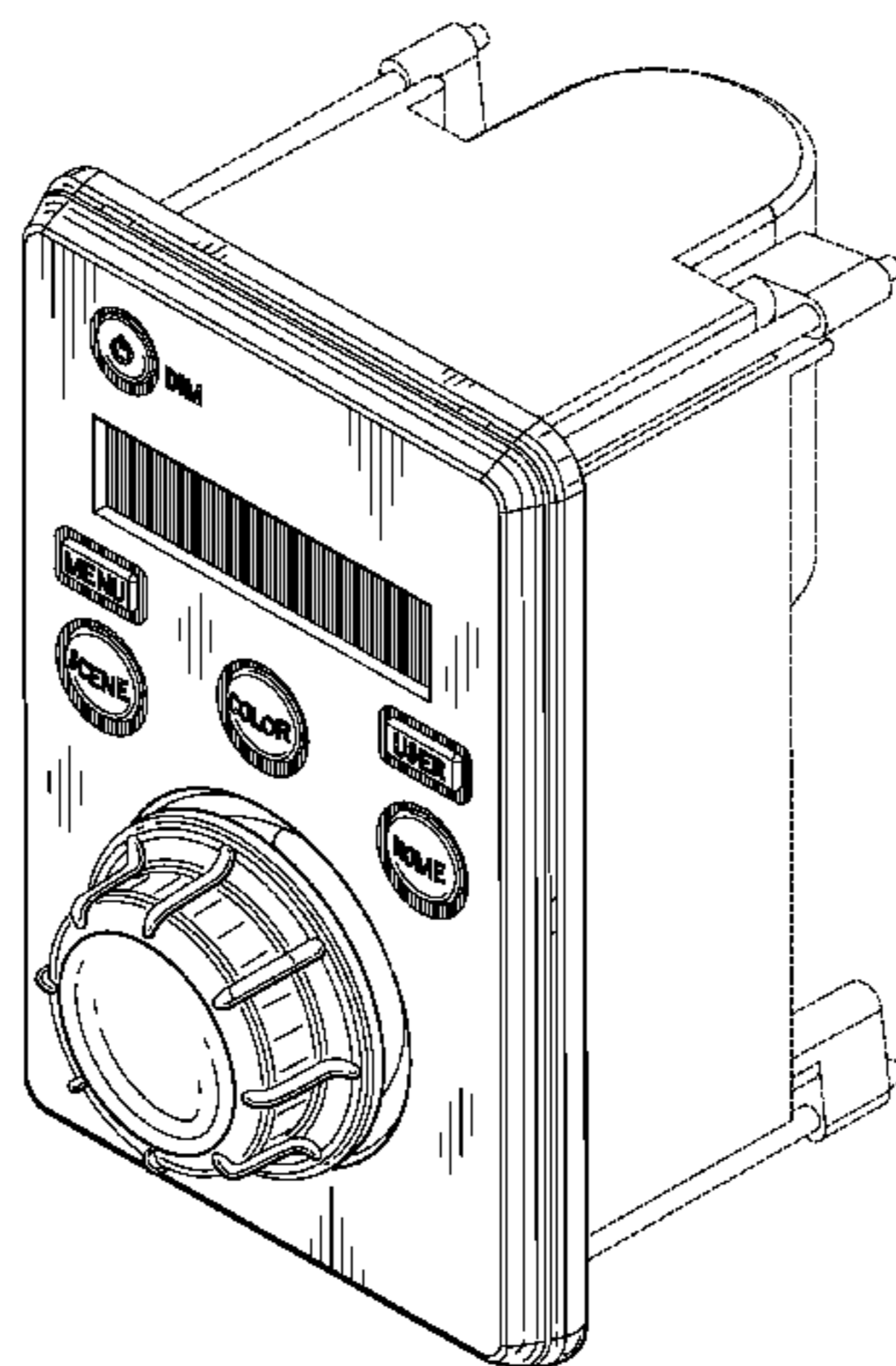
(Continued)

*Primary Examiner*—Stella M Reid

*Assistant Examiner*—Keli L Hill

(74) *Attorney, Agent, or Firm*—Haynes and Boone, LLP

**1 Claim, 14 Drawing Sheets**



# US D632,294 S

Page 2

---

## U.S. PATENT DOCUMENTS

D395,285 S *	6/1998	Allon .....	D14/388	D518,082 S *	3/2006	Muto .....	D16/237
D423,514 S *	4/2000	Shindo .....	D14/240	D549,184 S *	8/2007	Riley .....	D13/164
D516,559 S *	3/2006	Cohen .....	D14/413	D553,620 S *	10/2007	Schroeder .....	D14/402
D517,589 S *	3/2006	Muto et al. ....	D16/237	D615,544 S *	5/2010	Pascucci .....	D14/399
				D616,872 S *	6/2010	Stoddard et al. ....	D14/218

\* cited by examiner

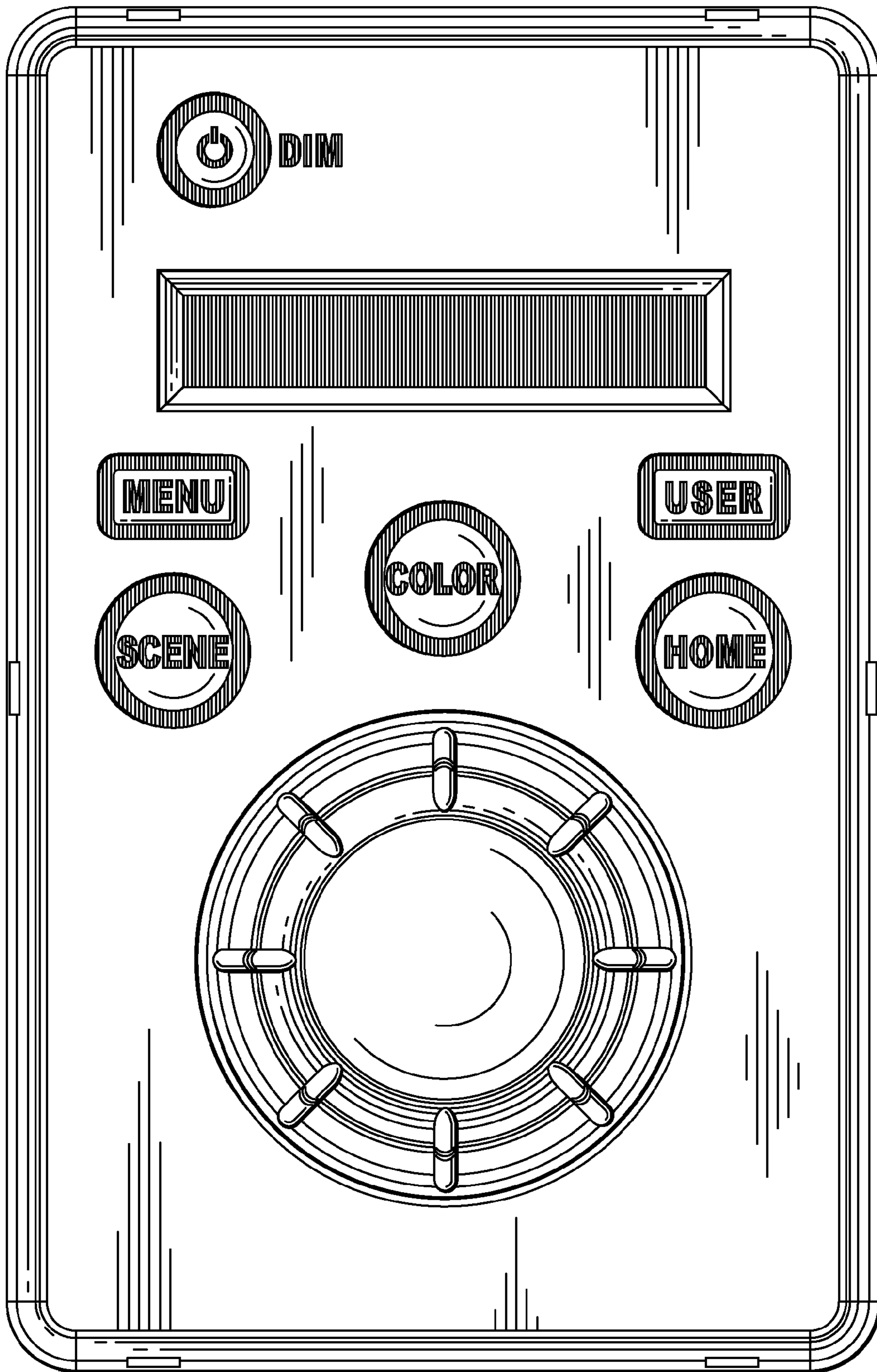


FIG. 1

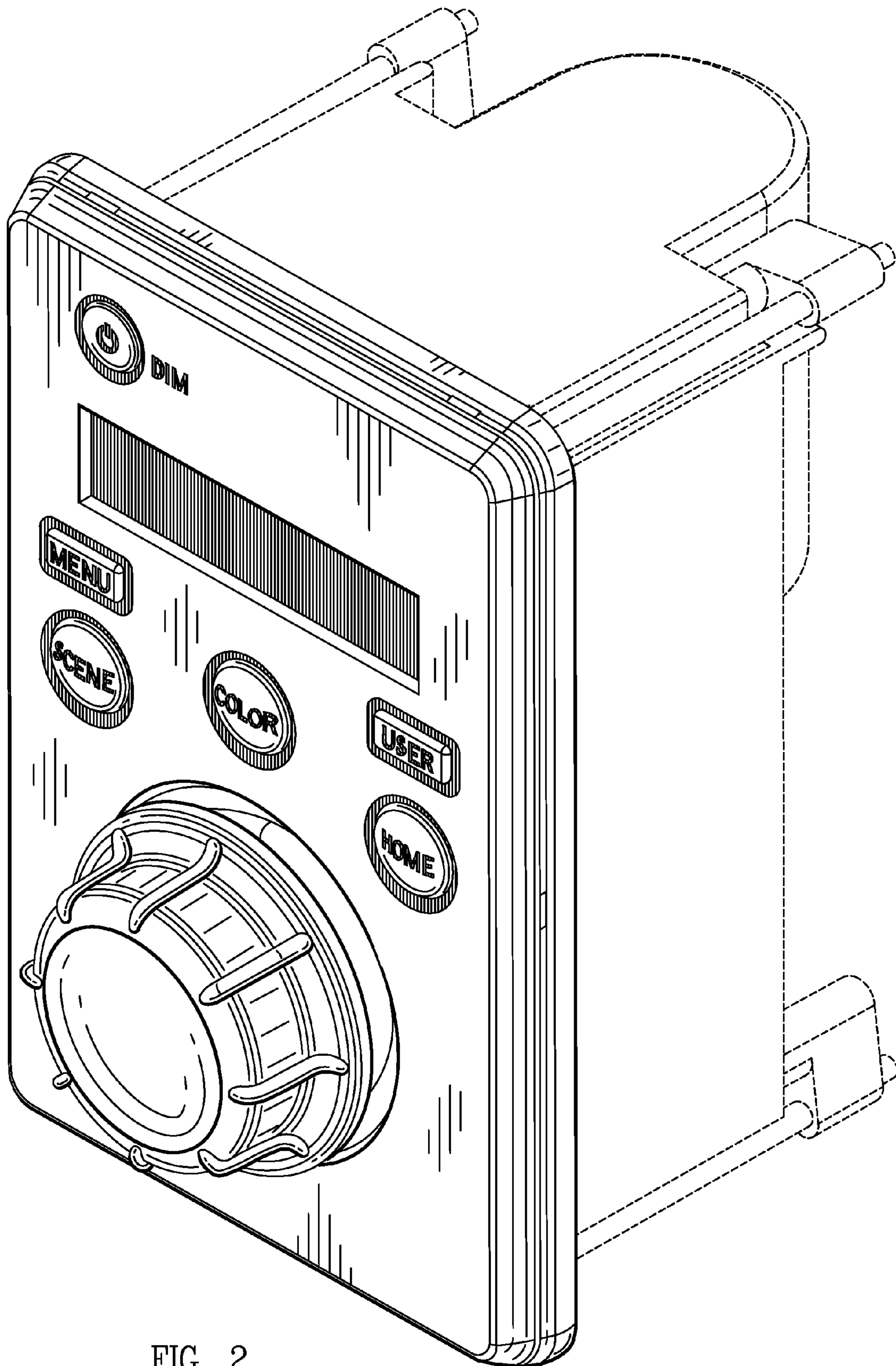


FIG. 2

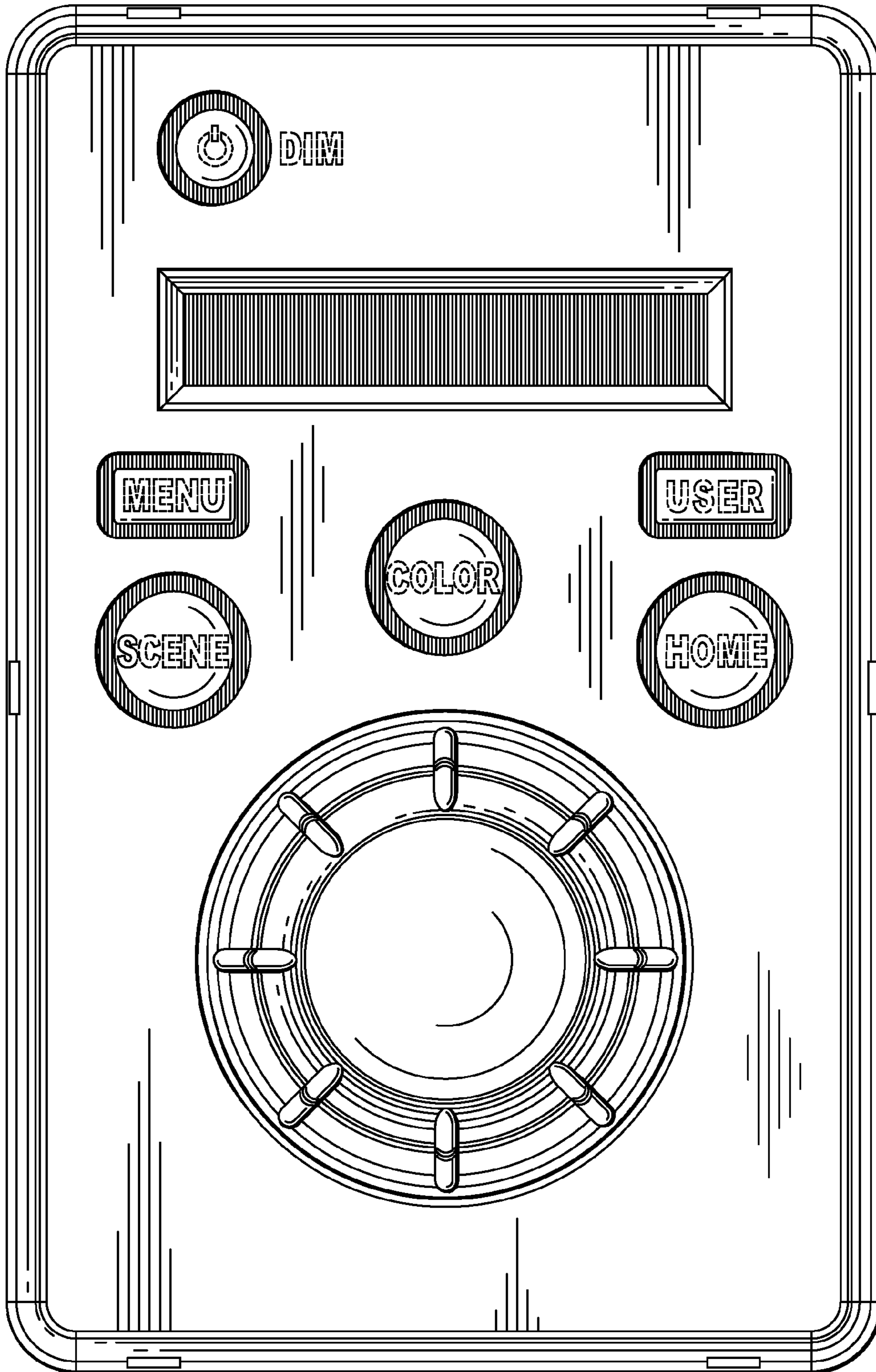


FIG. 3

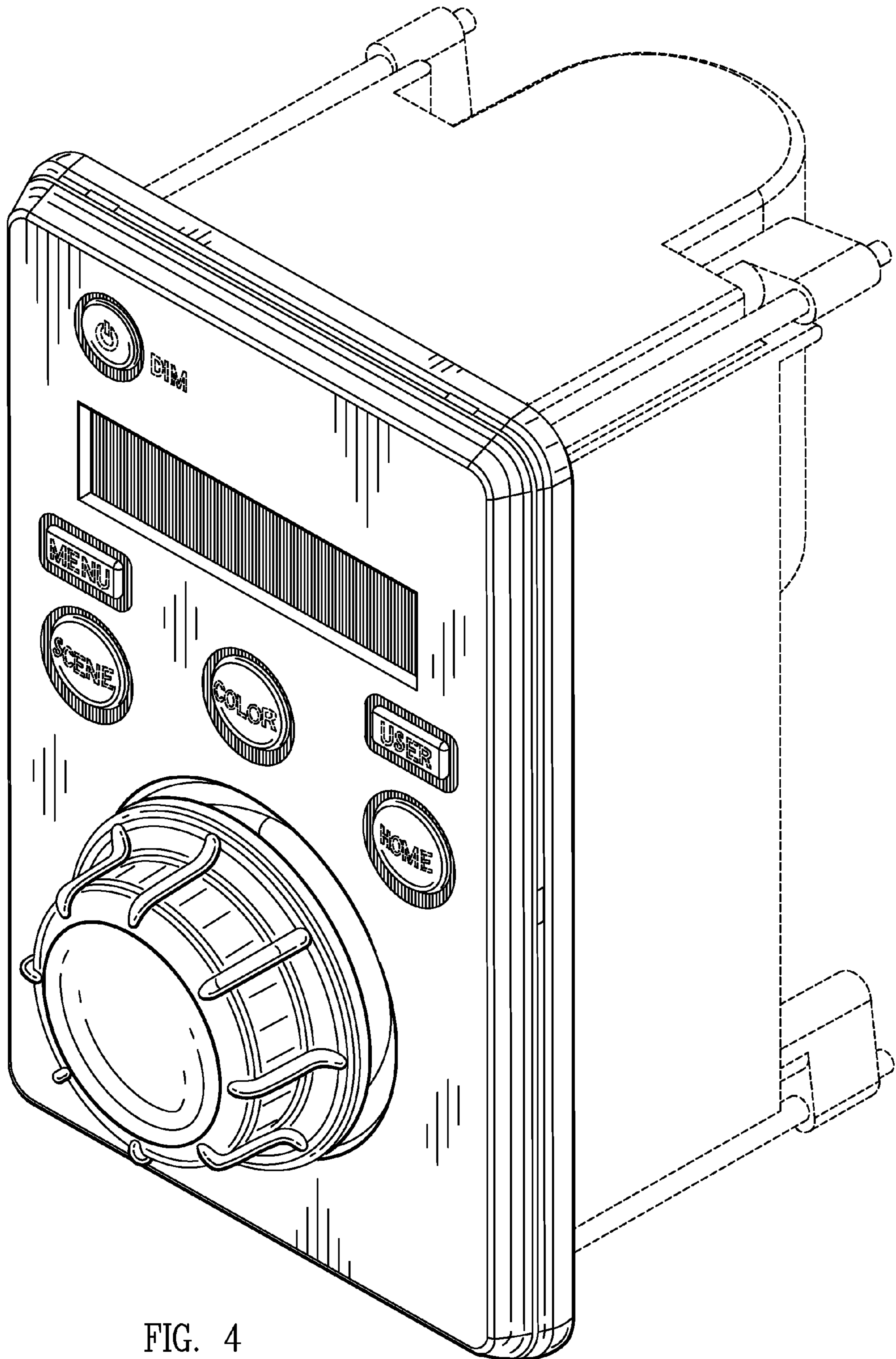


FIG. 4

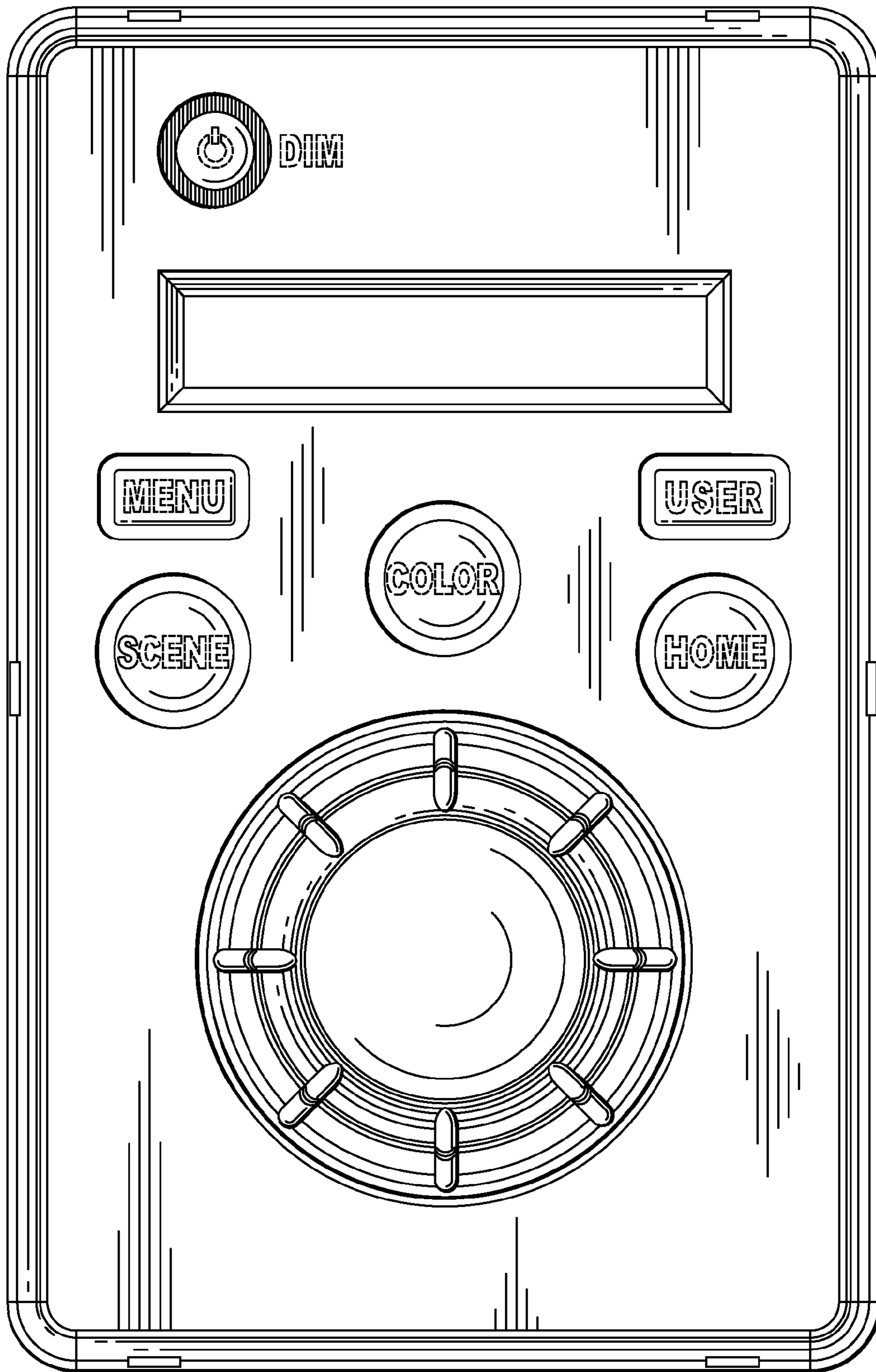


FIG. 5

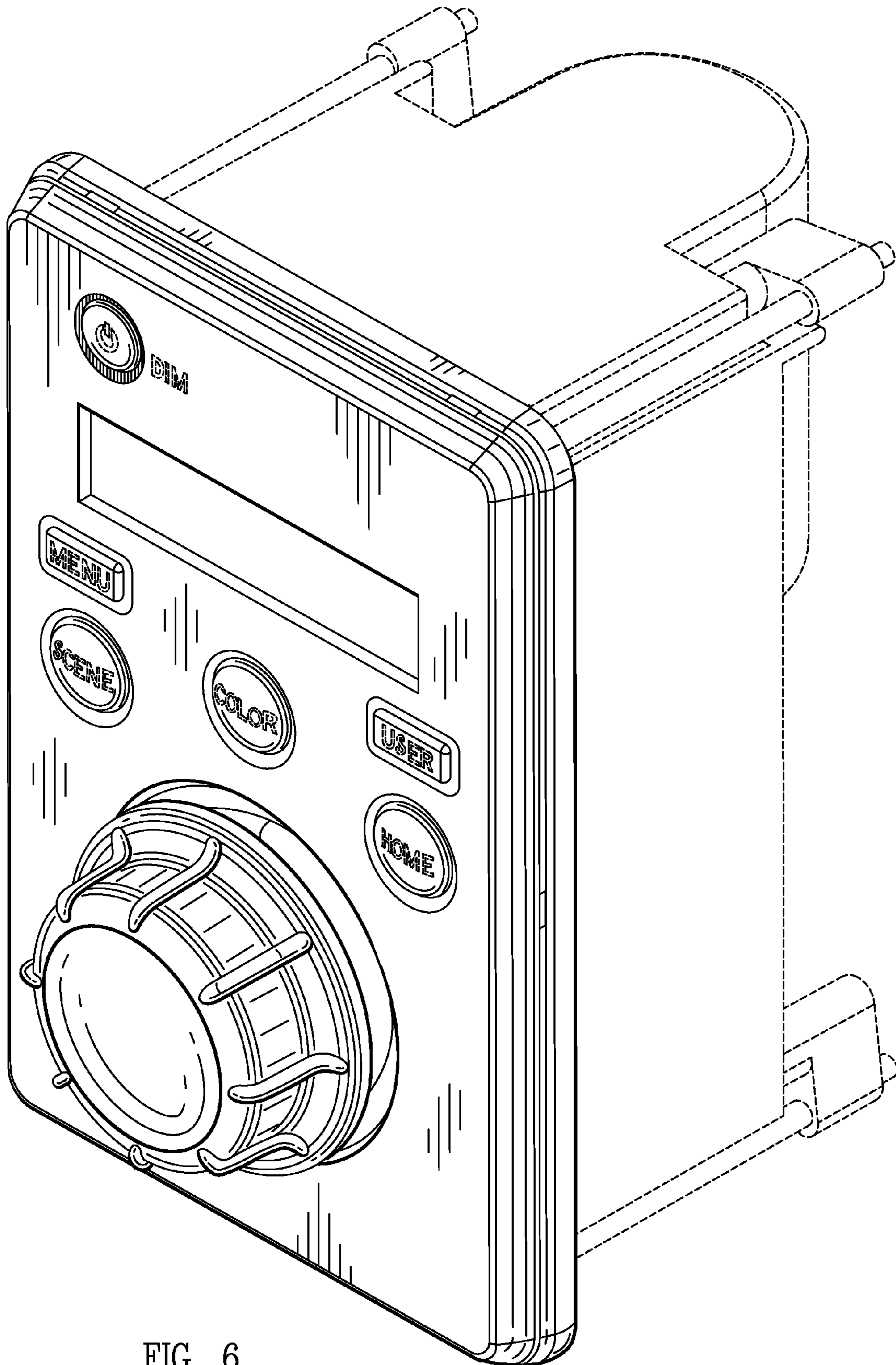


FIG. 6



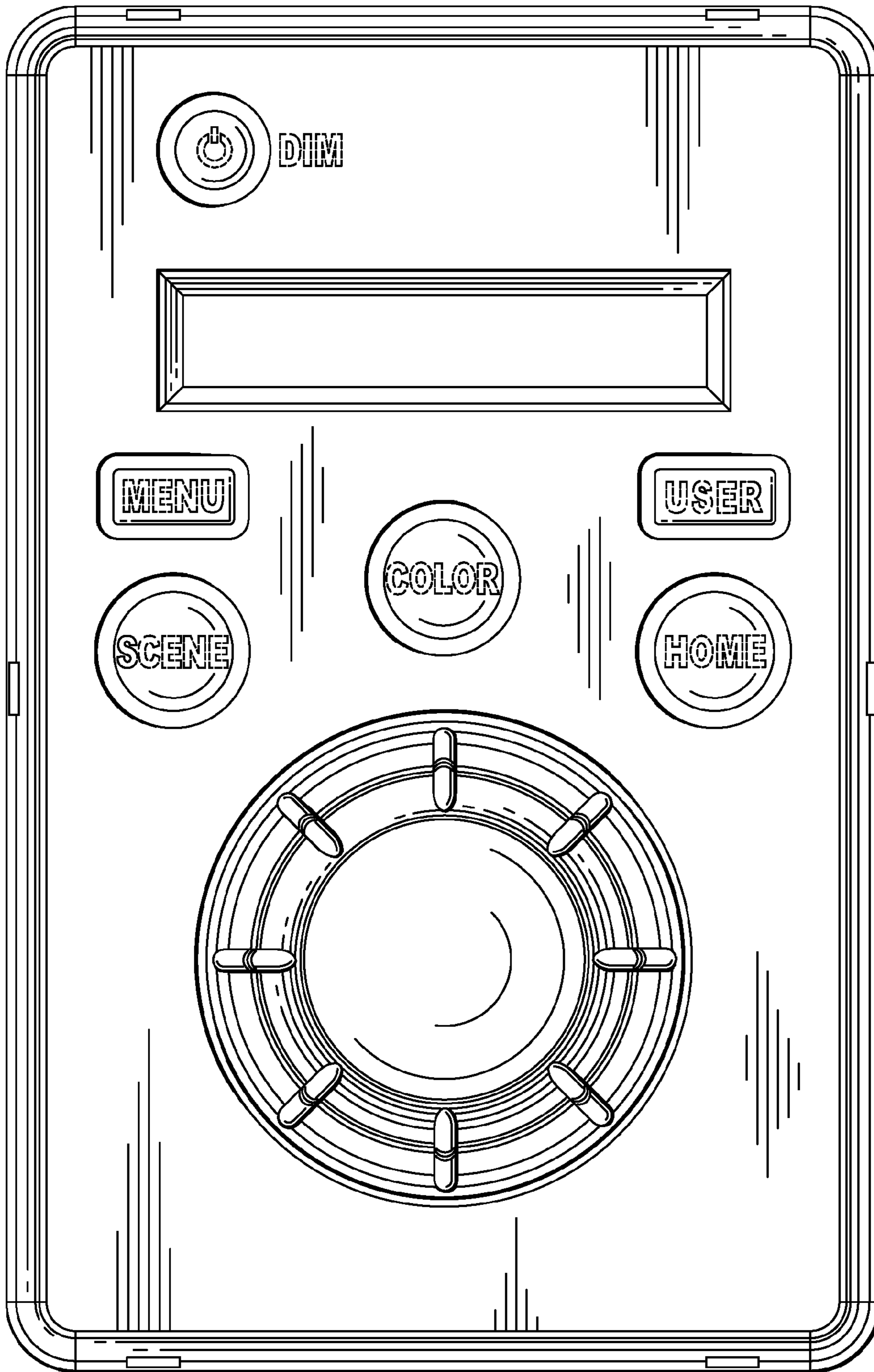


FIG. 7

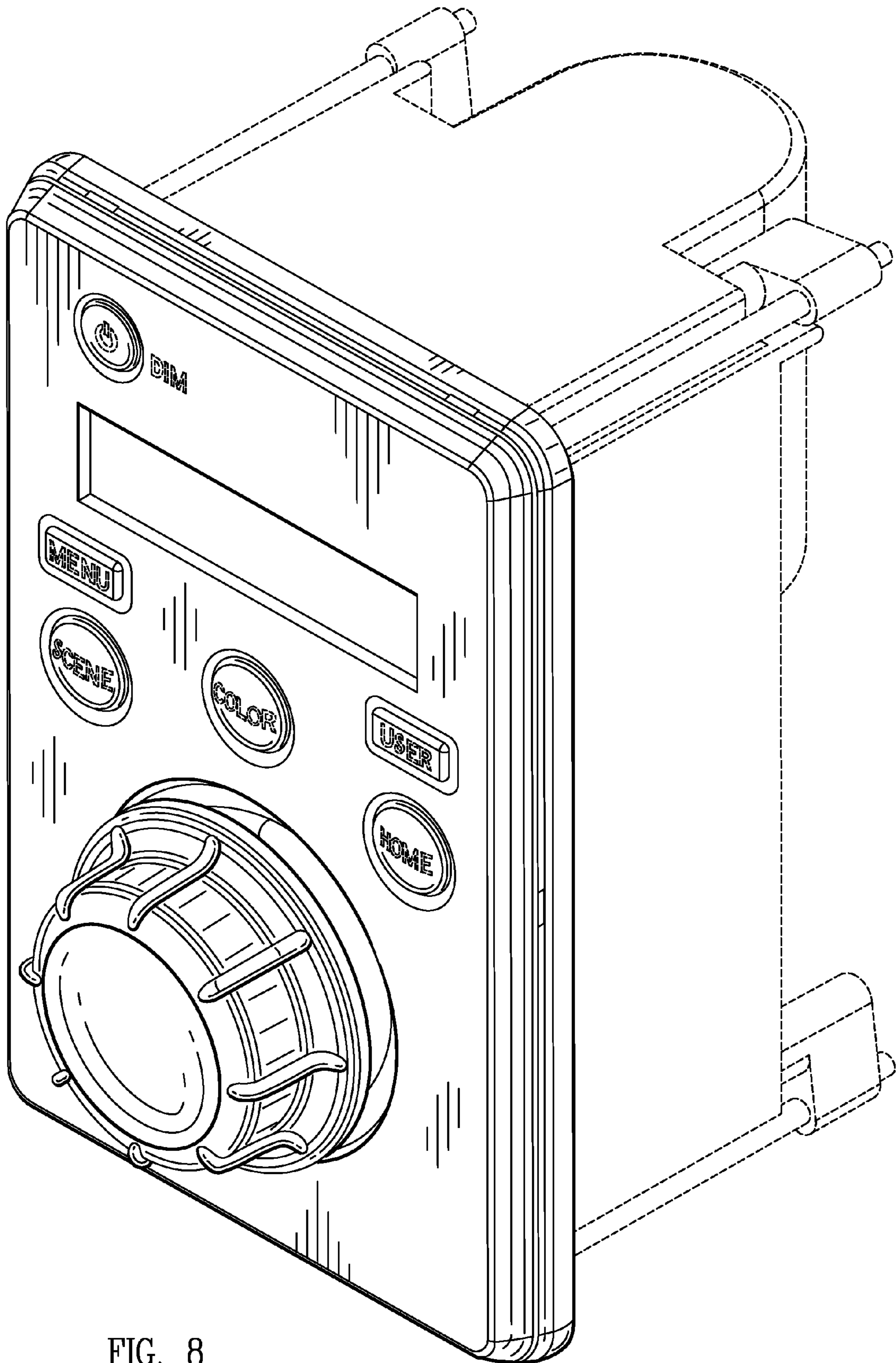


FIG. 8

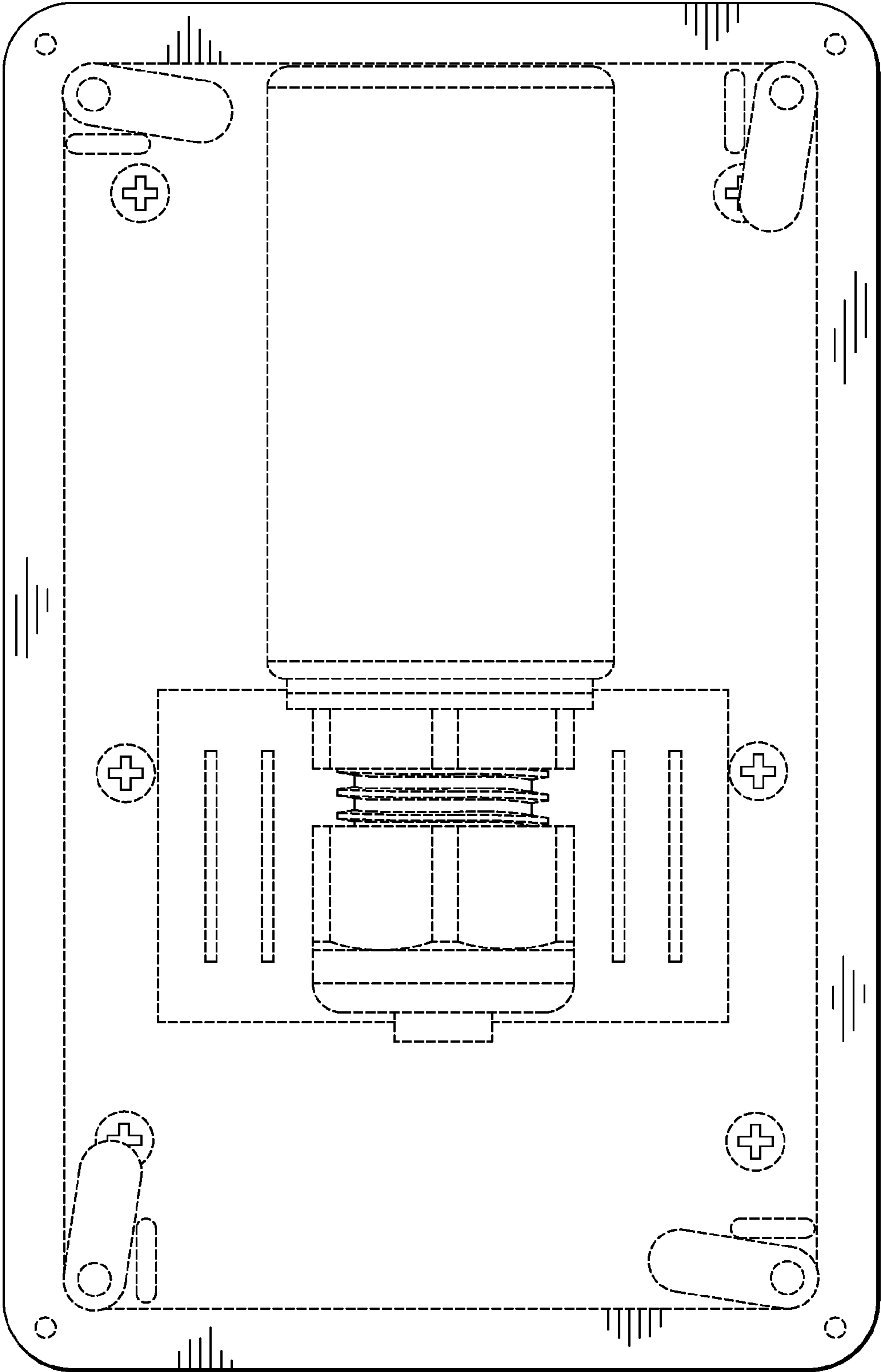


FIG. 9

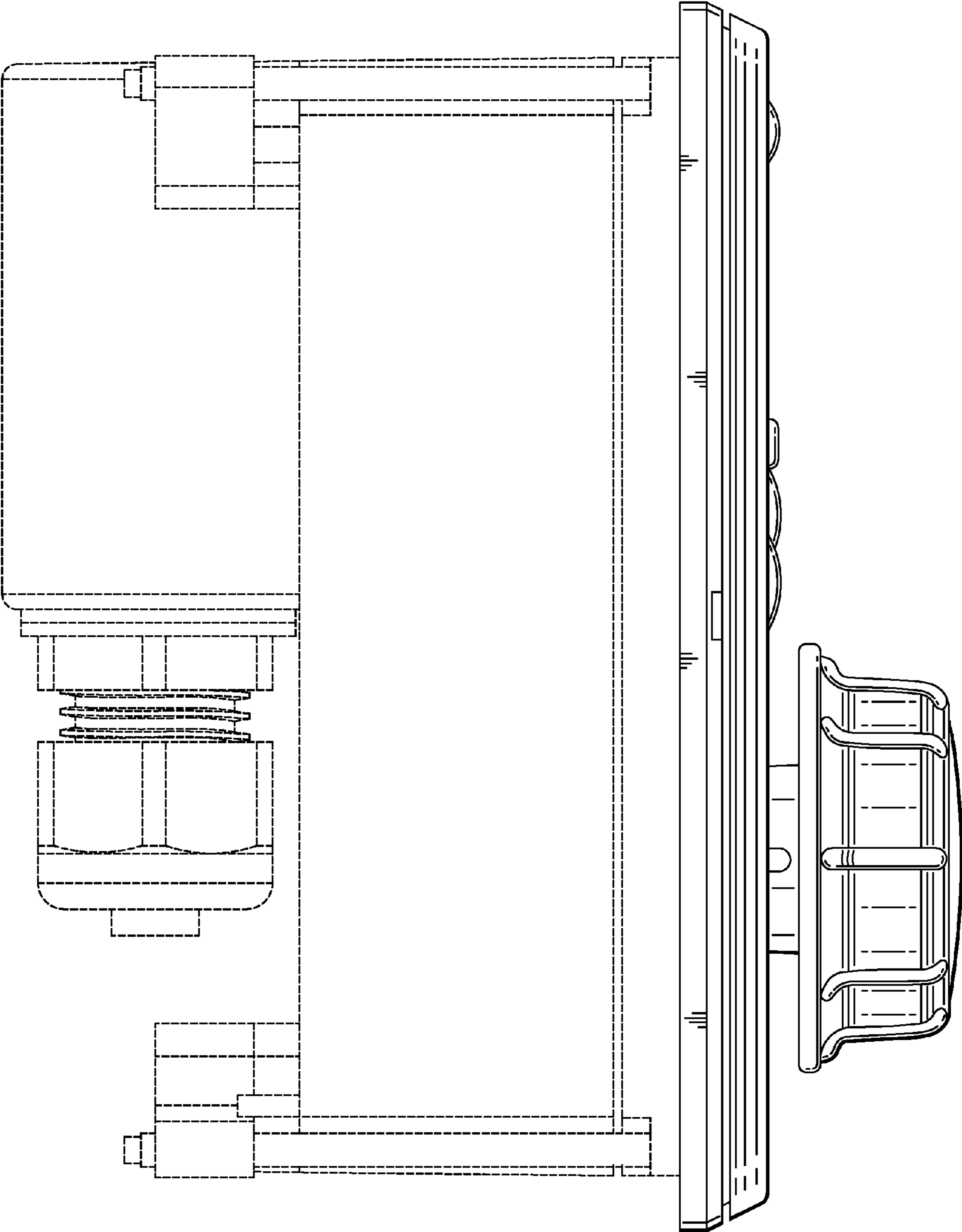


FIG. 10

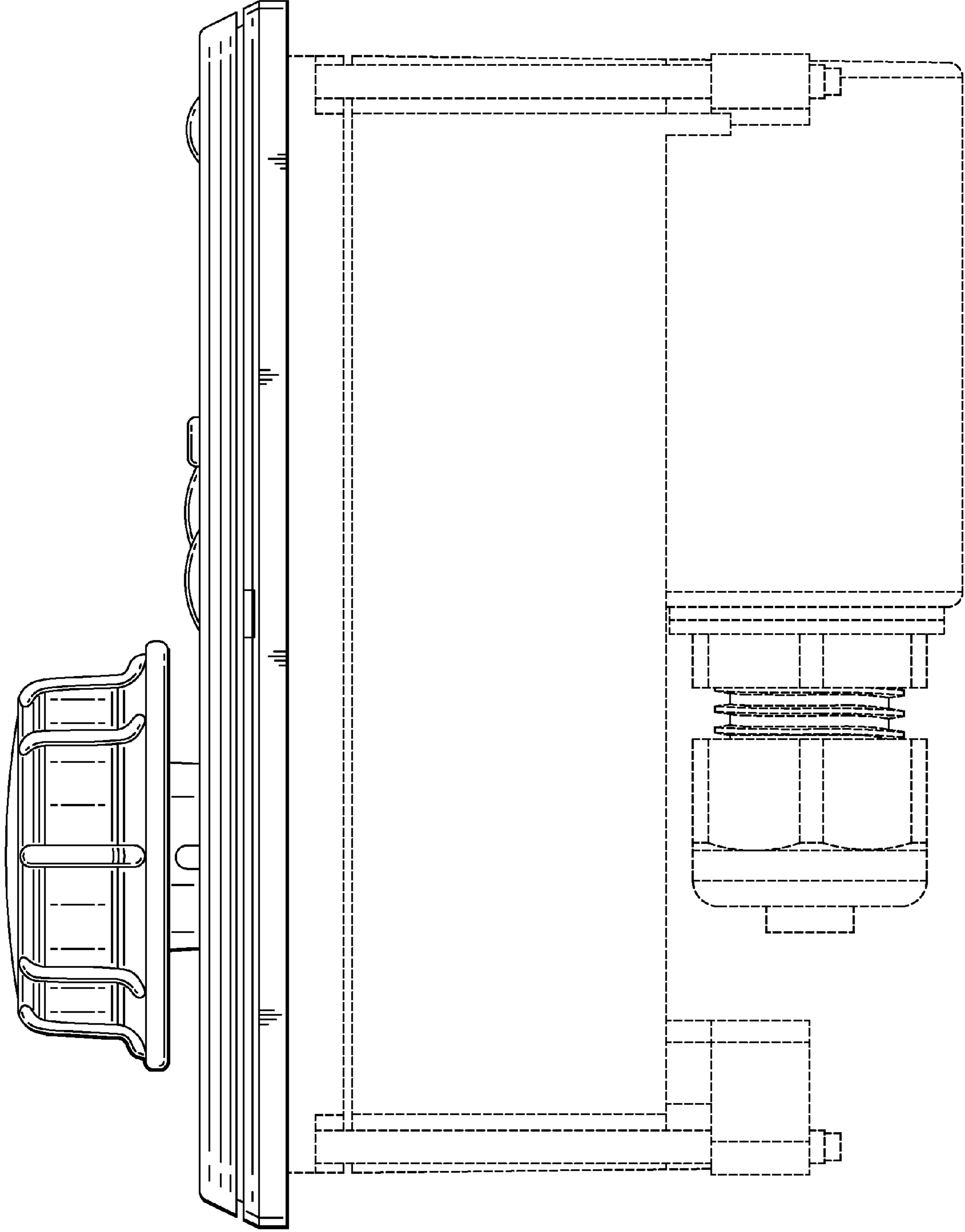


FIG. 11

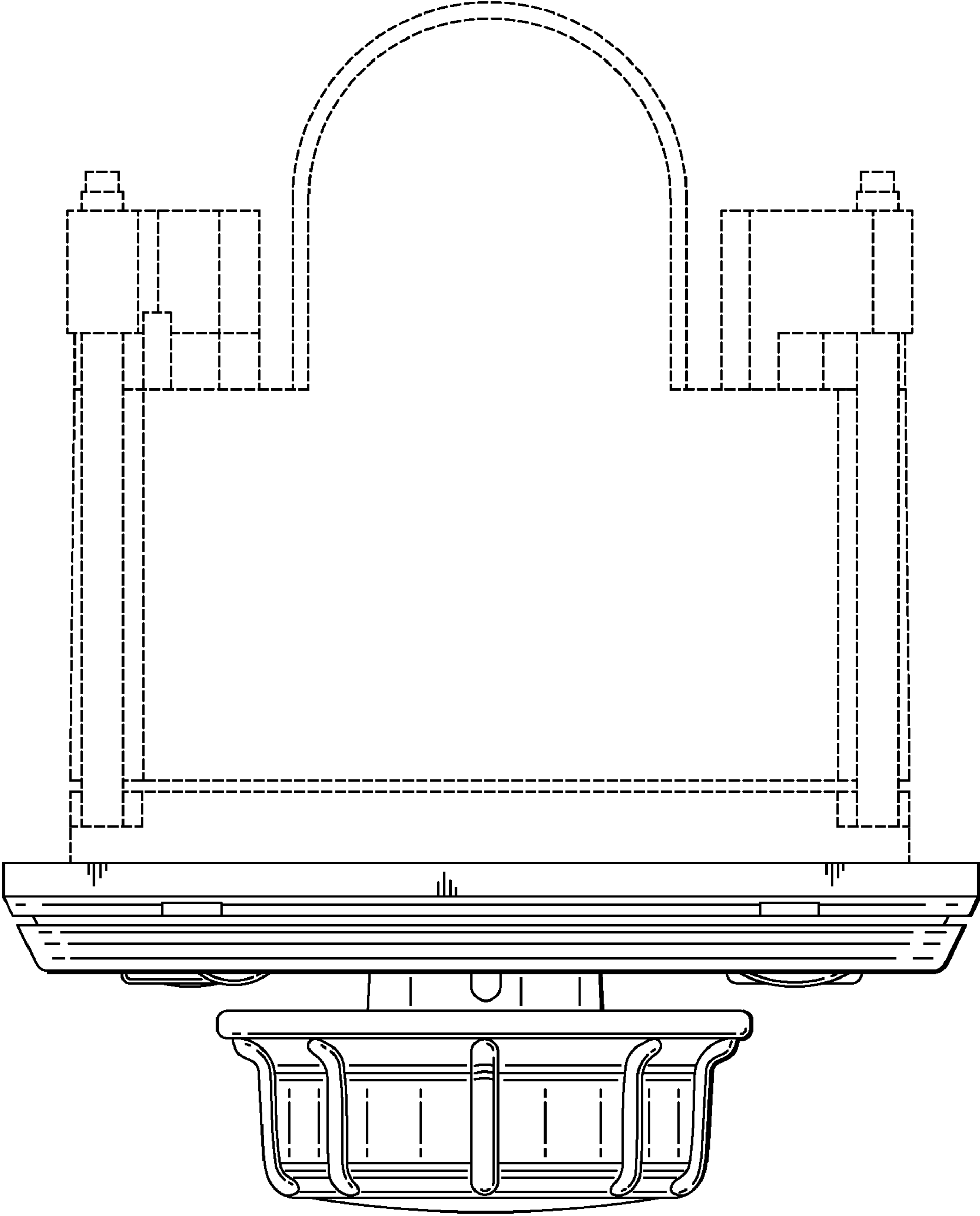


FIG. 12

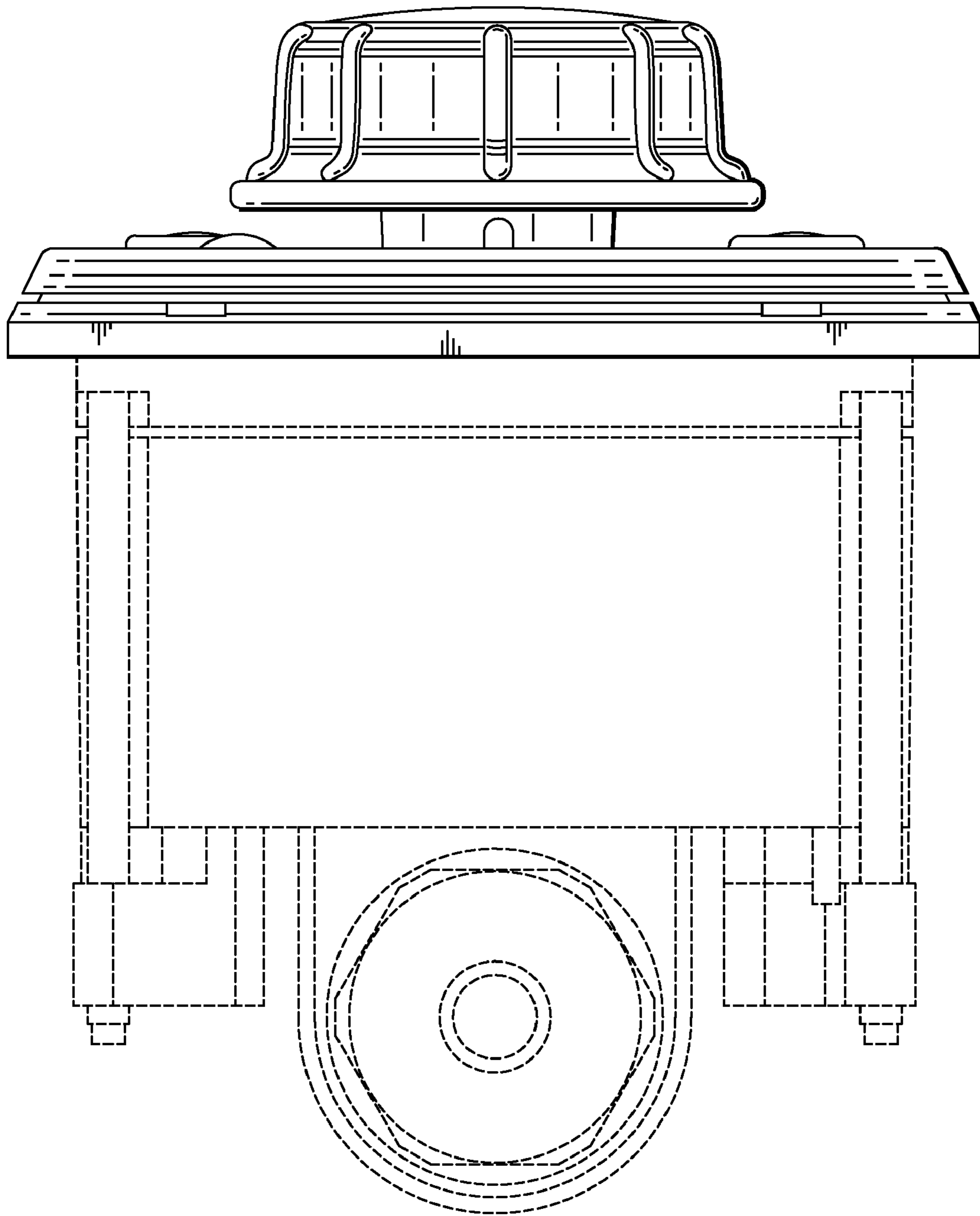


FIG. 13

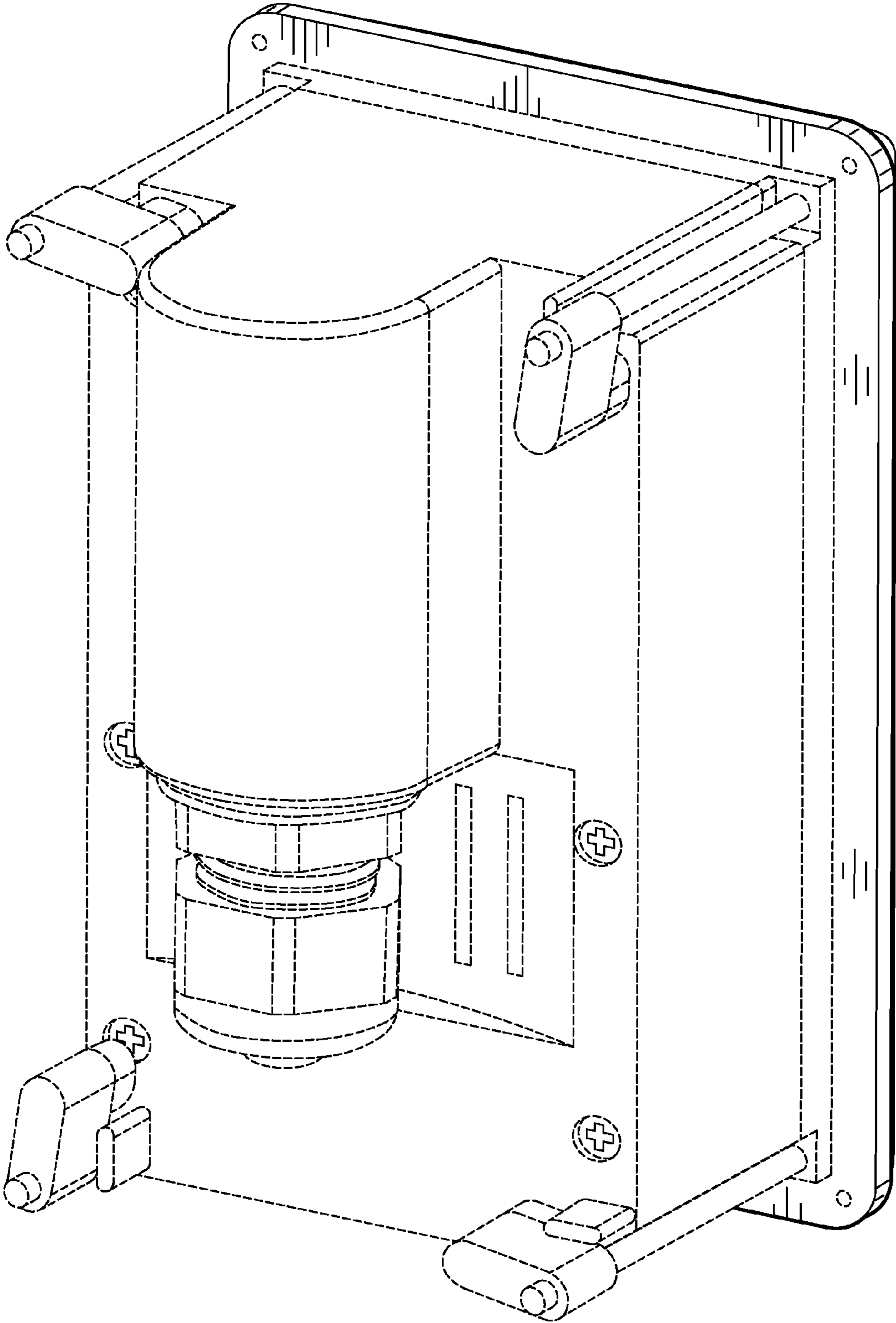


FIG. 14