



US00D632291S

(12) **United States Design Patent**
Park

(10) **Patent No.:** **US D632,291 S**

(45) **Date of Patent:** **** Feb. 8, 2011**

(54) **LCD MONITOR**

(75) Inventor: **Sang-II Park**, Kyunggi-do (KR)

(73) Assignee: **Samsung Electronics Co., Ltd.**,
Kyunggi-Do (KR)

(**) Term: **14 Years**

(21) Appl. No.: **29/349,400**

(22) Filed: **Mar. 31, 2010**

(51) **LOC (9) Cl.** **14-02**

(52) **U.S. Cl.** **D14/374**

(58) **Field of Classification Search** D14/371–376,
D14/125–129, 336, 341; 248/917–924, 121,
248/278.1; 341/12; 345/104, 156, 173, 174,
345/901–905; 348/180, 184, 325, 739; 361/679.08,
361/679.23; 349/1, 2, 11, 58

See application file for complete search history.

(56) **References Cited**

U.S. PATENT DOCUMENTS

D411,522 S *	6/1999	Chuo et al.	D14/375
D416,875 S *	11/1999	Chuo et al.	D14/375
6,229,584 B1 *	5/2001	Chuo et al.	349/58
6,381,125 B1 *	4/2002	Mizoguchi et al.	361/679.08
D494,941 S	8/2004	Kim		
6,807,051 B2 *	10/2004	Takahashi	361/679.23
D499,386 S	12/2004	Yang		
D512,424 S	12/2005	Kim		
D521,511 S	5/2006	Kim et al.		
D521,996 S	5/2006	Kim et al.		
D521,997 S	5/2006	Park et al.		
D522,509 S	6/2006	Park et al.		
D524,313 S	7/2006	Boo et al.		
D527,003 S	8/2006	Kim et al.		
D528,115 S	9/2006	Yoon		
D528,116 S	9/2006	Won et al.		
D529,910 S	10/2006	Ota		
D532,764 S	11/2006	Kim et al.		
D533,848 S	12/2006	Lee et al.		
D534,510 S	1/2007	Kang et al.		
D534,883 S	1/2007	Kang et al.		

D535,267 S	1/2007	Kang et al.
D536,677 S	2/2007	Kim et al.
D537,079 S	2/2007	Park
D539,242 S	3/2007	Lee et al.
D539,281 S	3/2007	Kim et al.
D539,767 S	4/2007	Kang et al.
D540,277 S	4/2007	Kim et al.
D541,236 S	4/2007	Kim et al.
D541,763 S	5/2007	Kim
D542,746 S	5/2007	Kim
D542,747 S	5/2007	Kim et al.
D543,163 S	5/2007	Yang et al.
D543,164 S	5/2007	Yang et al.

(Continued)

OTHER PUBLICATIONS

U.S. Appl. No. 29/308,634, Applicant: Kyu-Mi Han, et al., filed Jun. 27, 2008 entitled Television Set.

(Continued)

Primary Examiner—Freda S Nunn
(74) *Attorney, Agent, or Firm*—Flynn, Thiel, Boutell & Tanis, P.C.

(57) **CLAIM**

The ornamental design for a LCD monitor, as shown and described.

DESCRIPTION

FIG. 1 is a top front perspective view of a LCD monitor showing my new design;

FIG. 2 is a front elevational view thereof;

FIG. 3 is a rear elevational view thereof;

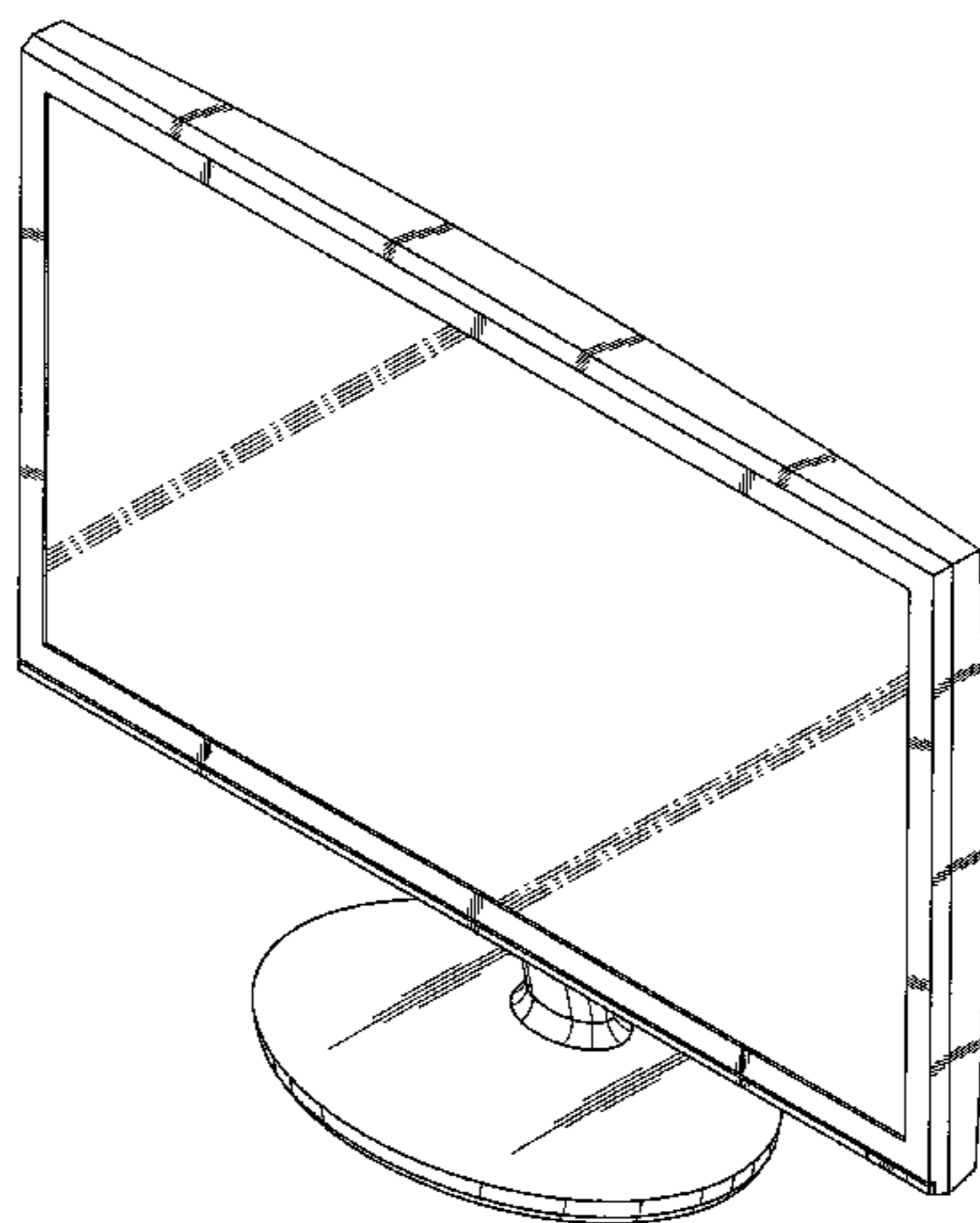
FIG. 4 is a left side elevational view thereof;

FIG. 5 is a right side elevational view thereof;

FIG. 6 is a top plan view thereof; and,

FIG. 7 is a bottom plan view thereof.

1 Claim, 5 Drawing Sheets



US D632,291 S

Page 2

U.S. PATENT DOCUMENTS

D543,982 S *	6/2007	Hasegawa et al. D14/371	D582,366 S	12/2008	Yang et al.
D544,849 S	6/2007	Yang et al.	D582,867 S	12/2008	Song et al.
D545,312 S	6/2007	Kim	D584,258 S	1/2009	Yang et al.
D545,313 S	6/2007	Kim	D584,309 S	1/2009	Kim et al.
D545,314 S	6/2007	Kim	D584,310 S	1/2009	Kim et al.
D545,315 S	6/2007	Kim	D584,729 S	1/2009	Kim et al.
D545,316 S	6/2007	Kim	D586,811 S	2/2009	Kim et al.
D545,776 S	7/2007	Kwon	D587,712 S	3/2009	Park et al.
D545,820 S	7/2007	Won et al.	D592,621 S	5/2009	Han et al.
D546,331 S	7/2007	Kim	D593,974 S	6/2009	Yang et al.
D547,276 S	7/2007	Yang et al.	D597,041 S	7/2009	Cho et al.
D547,313 S	7/2007	Kim	D597,977 S	8/2009	Won et al.
D548,205 S	8/2007	Kim et al.	D597,978 S	8/2009	Won et al.
D548,206 S	8/2007	Han	D608,311 S	1/2010	Lee et al.
D548,708 S	8/2007	Park et al.	D609,658 S	2/2010	Kim et al.
D551,186 S	9/2007	Yang et al.	D610,143 S	2/2010	Park et al.
D551,194 S	9/2007	Kim et al.	D614,596 S	4/2010	Won et al.
D551,636 S	9/2007	Kang et al.	2002/0020792 A1 *	2/2002	Lee 248/278.1
D553,108 S	10/2007	Won et al.	2005/0041379 A1 *	2/2005	Jang 361/681
D554,601 S	11/2007	Won et al.	2006/0076463 A1 *	4/2006	Drew 248/121
D556,159 S	11/2007	Park et al.			
D556,160 S	11/2007	Lee et al.			
D556,709 S	12/2007	Kim et al.			
D556,755 S	12/2007	Lee et al.			
D556,756 S	12/2007	Kataoka et al.			
D556,757 S	12/2007	Kim et al.			
D558,201 S	12/2007	Park et al.			
D558,696 S	1/2008	Park et al.			
D561,130 S	2/2008	Won et al.			
D561,134 S	2/2008	Kim et al.			
D561,135 S	2/2008	Won et al.			
D561,136 S	2/2008	Won et al.			
D564,472 S	3/2008	Won et al.			
D565,521 S	4/2008	Yang et al.			
D567,198 S	4/2008	Yang et al.			
D567,199 S	4/2008	Kim et al.			
D569,818 S	5/2008	Kim et al.			
D570,841 S	6/2008	Kim et al.			
D572,680 S	7/2008	Lee et al.			
D572,682 S	7/2008	Won et al.			
D573,118 S	7/2008	Yang et al.			
D573,559 S	7/2008	Kim et al.			
D575,247 S	8/2008	Lee			
D576,622 S	9/2008	Park			
D579,889 S	11/2008	Noh			
D582,365 S	12/2008	Yang et al.			

OTHER PUBLICATIONS

U.S. Appl. No. 29/316,364, Applicant: Jae-Seung Song, et al., filed Sep. 17, 2009 entitled LCD Television Set.
U.S. Appl. No. 29/316,365, Applicant: Jae-Seung Song, et al., filed Sep. 17, 2009 entitled LCD Television Set.
U.S. Appl. No. 29/316,366, Applicant: Dong-Hee Won, et al., filed Sep. 17, 2009 entitled LED Television Set.
U.S. Appl. No. 29/316,367, Applicant: Young-Sun Shin, et al., filed Sep. 17, 2009 entitled LCD Television Set.
U.S. Appl. No. 29/308,894, Applicant: Eui-Seok Kim, et al., filed Jul. 14, 2008 entitled LCD Monitor.
U.S. Appl. No. 29/348,342, Applicant: Jung-Hyun Lee, et al., filed Dec. 22, 2009 entitled LED Television Set.
U.S. Appl. No. 29/348,517, Applicant: Yong-Joo Lee, et al., filed Feb. 10, 2010 entitled LCD Monitor.
U.S. Appl. No. 29/349,396, Applicant: Young-Jin Seo, et al., filed Mar. 31, 2010 entitled LED Monitor.
U.S. Appl. No. 29/349,398, Applicant: Ok-Keun Lee, et al., filed Mar. 31, 2010 entitled LED Monitor.
U.S. Appl. No. 29/349,399, Applicant: Sang-Il Park, filed Mar. 31, 2010 entitled LCD Monitor.
U.S. Appl. No. 29/349,406, Applicant: Kyoung-Hoon Kim, et al., filed Mar. 31, 2010 entitled Television Receiver.
U.S. Appl. No. 29/349,409, Applicant: Kyoung-Hoon Kim, et al., filed Mar. 31, 2010 entitled Television Receiver.

* cited by examiner

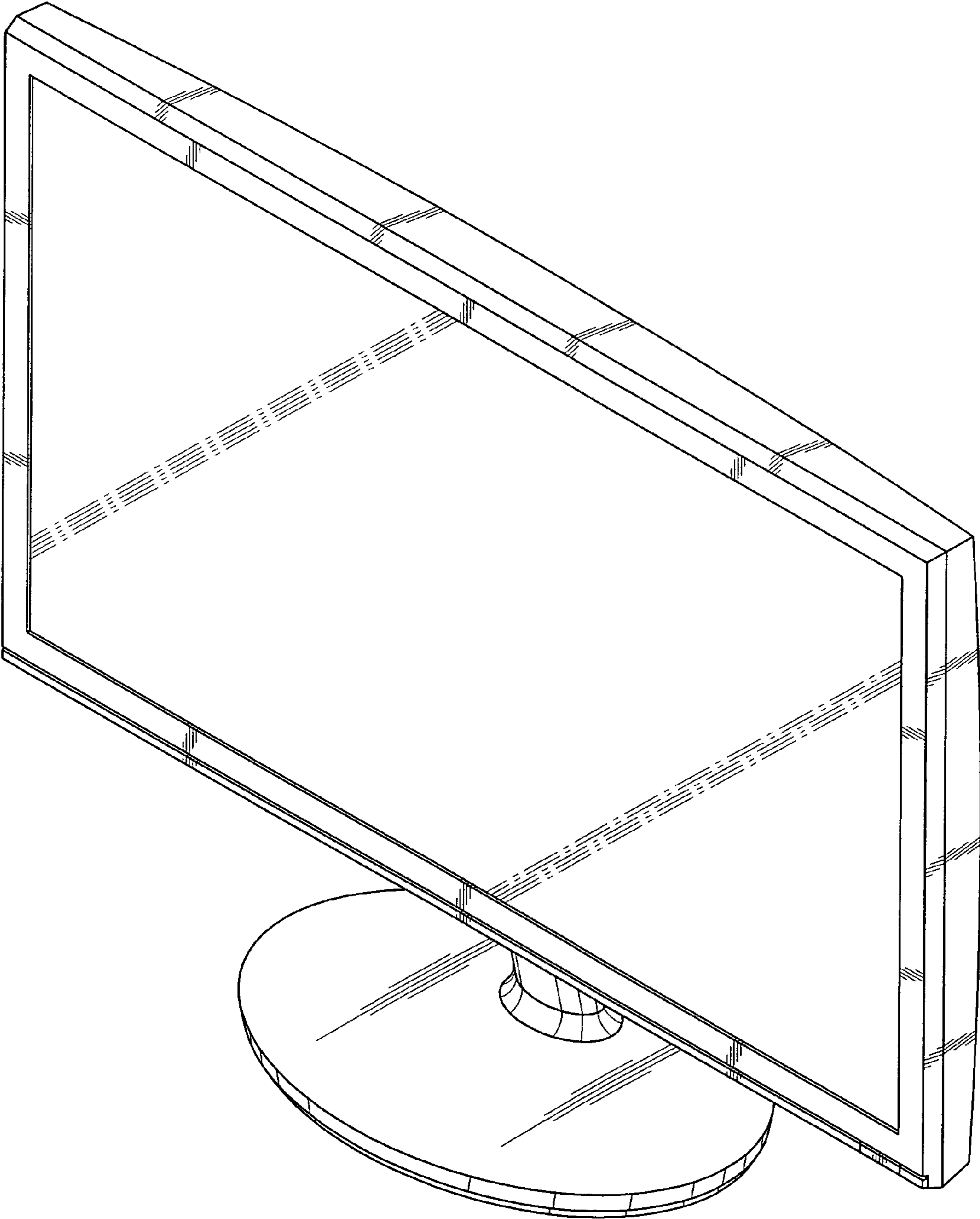


FIG. 1

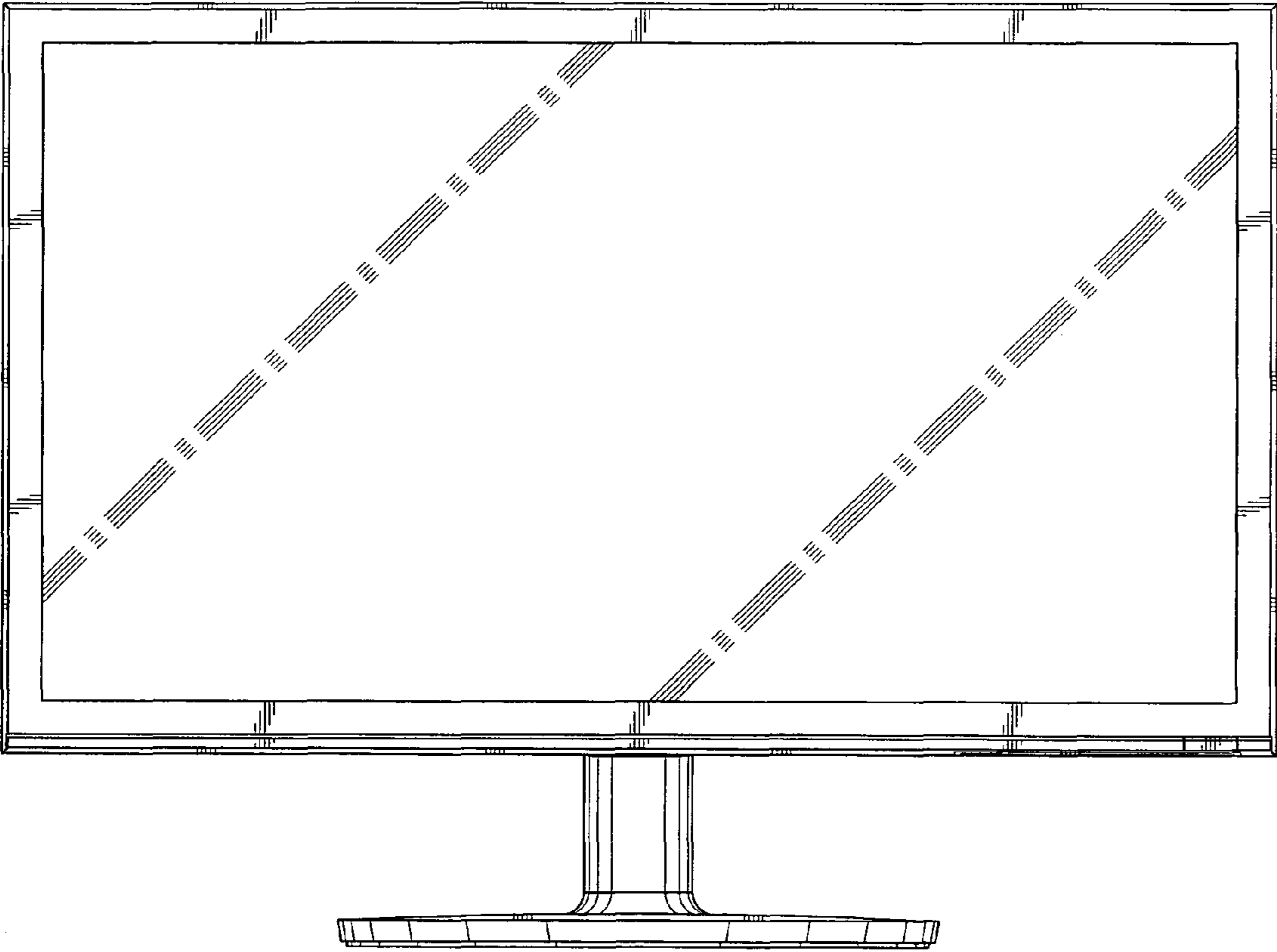


FIG. 2

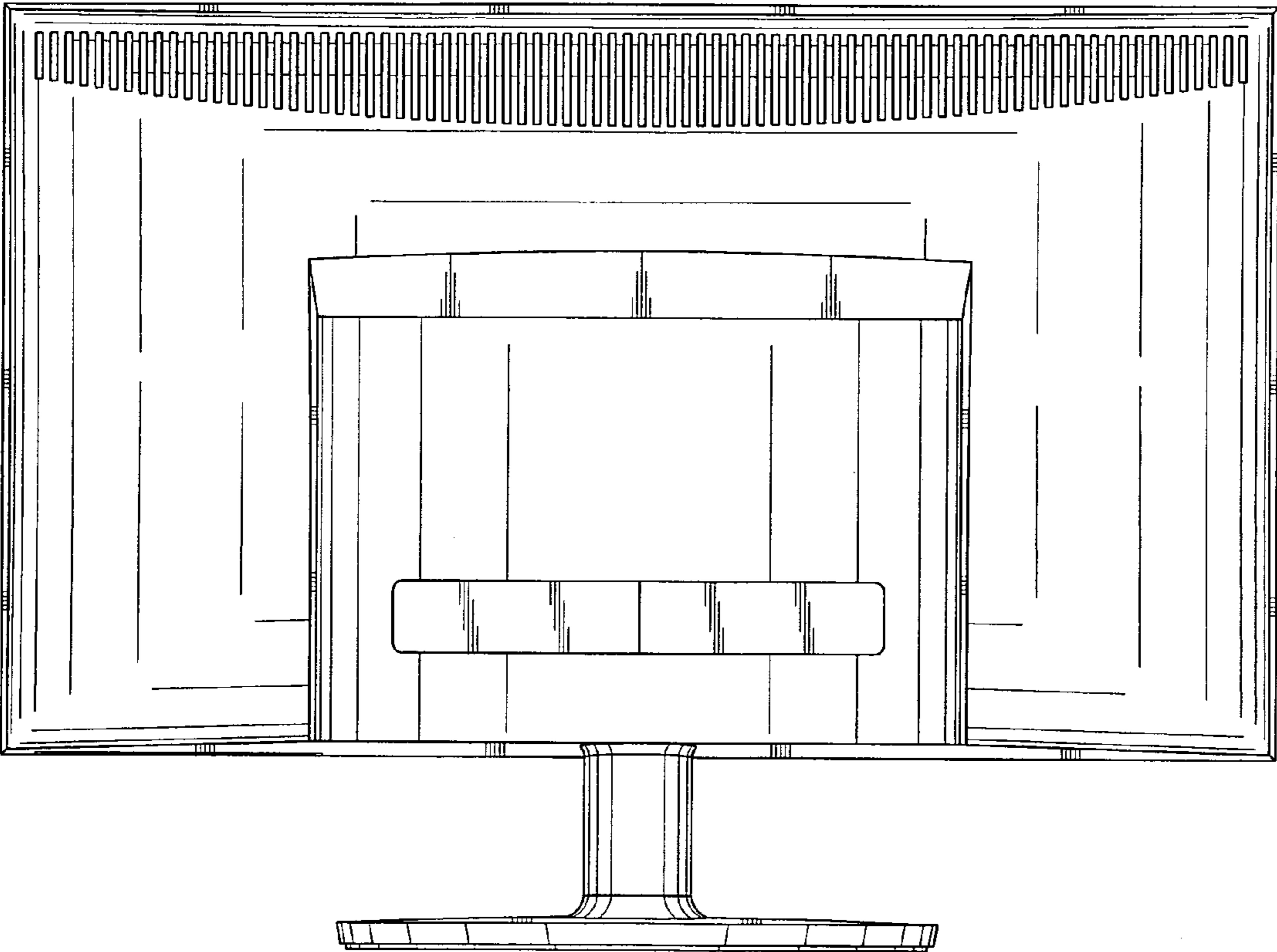


FIG. 3

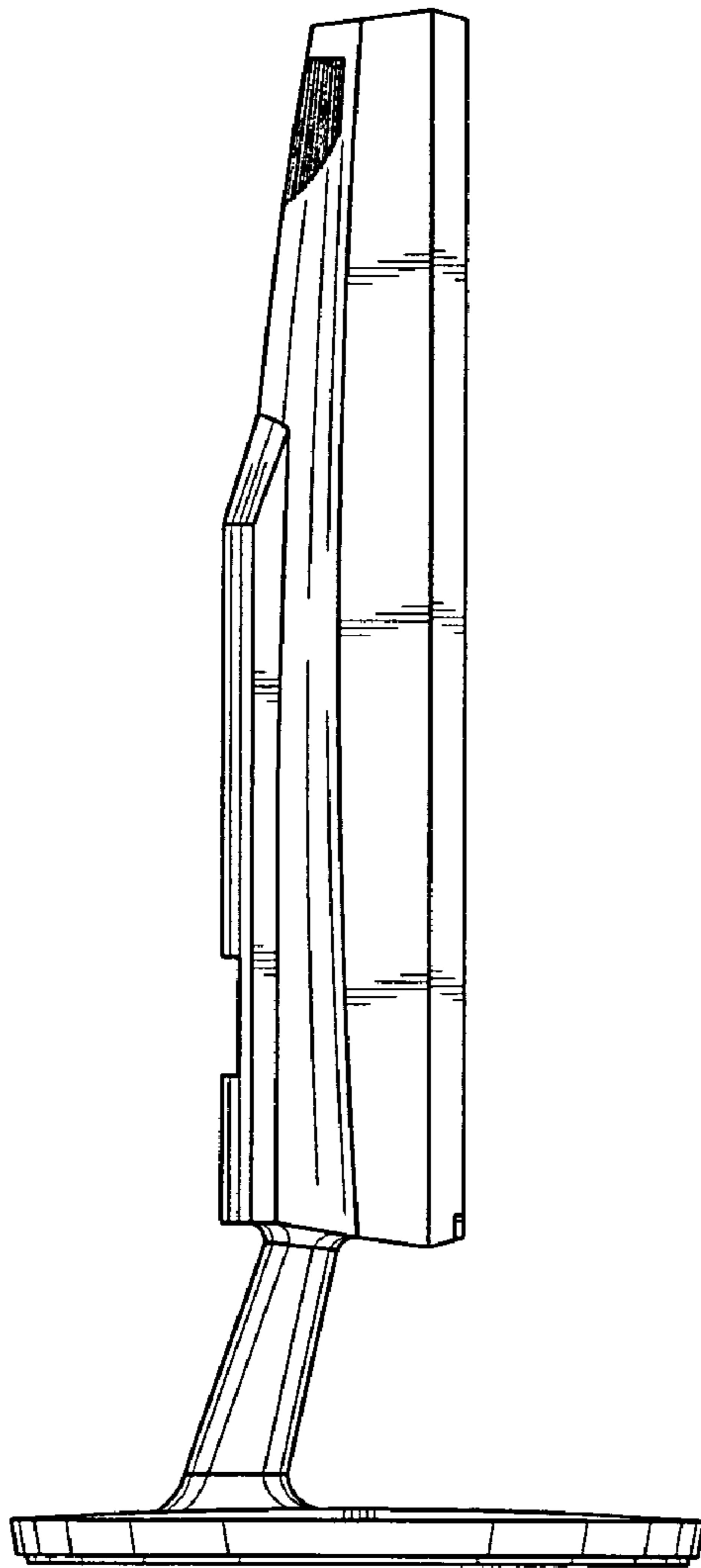


FIG. 4

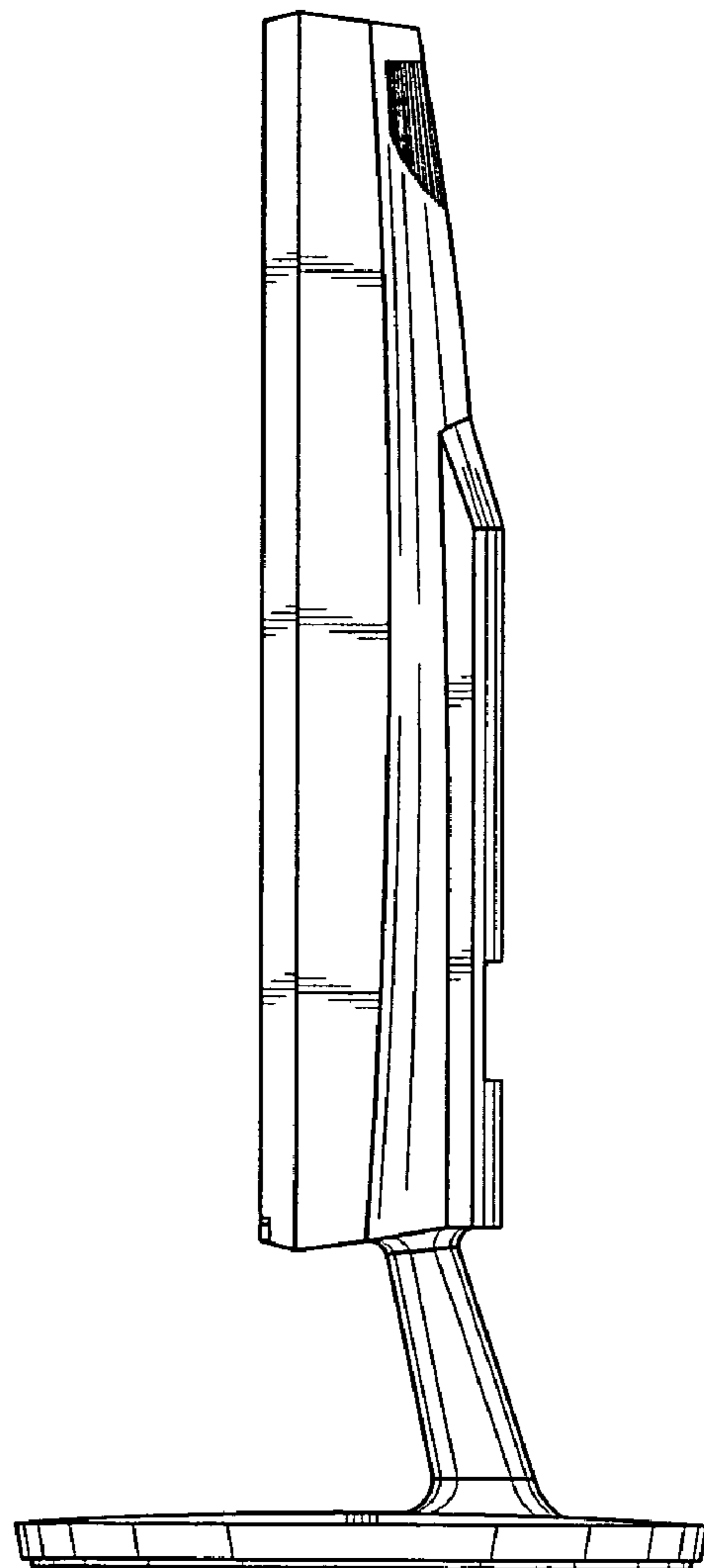


FIG. 5

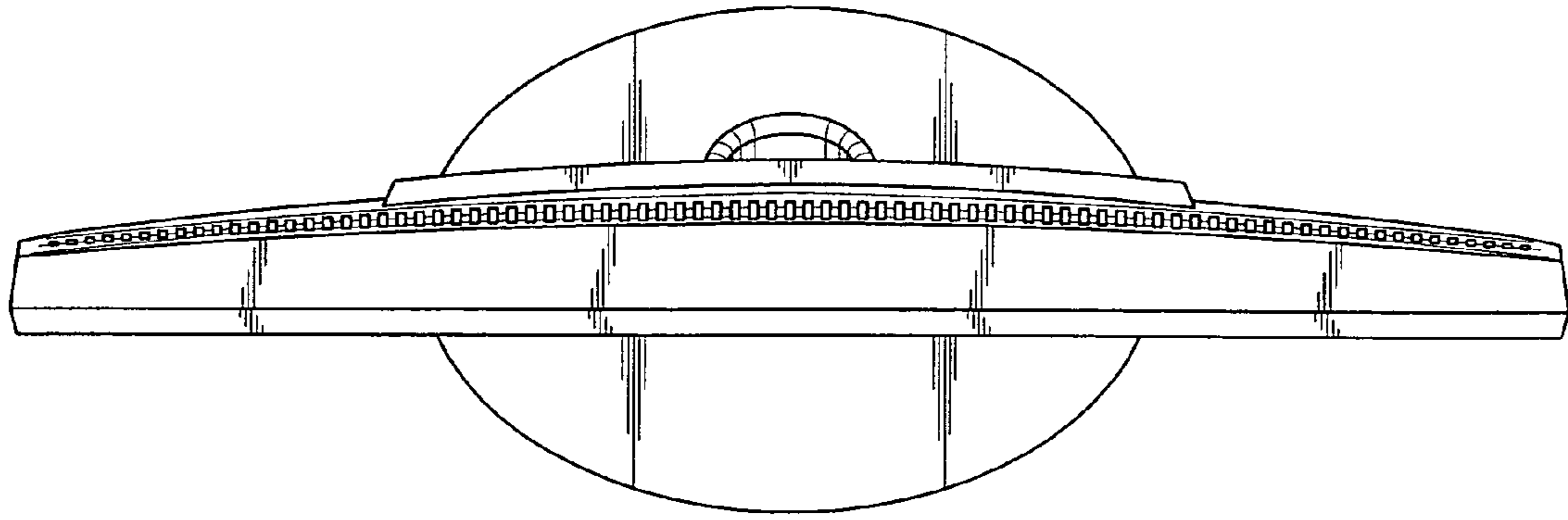


FIG. 6

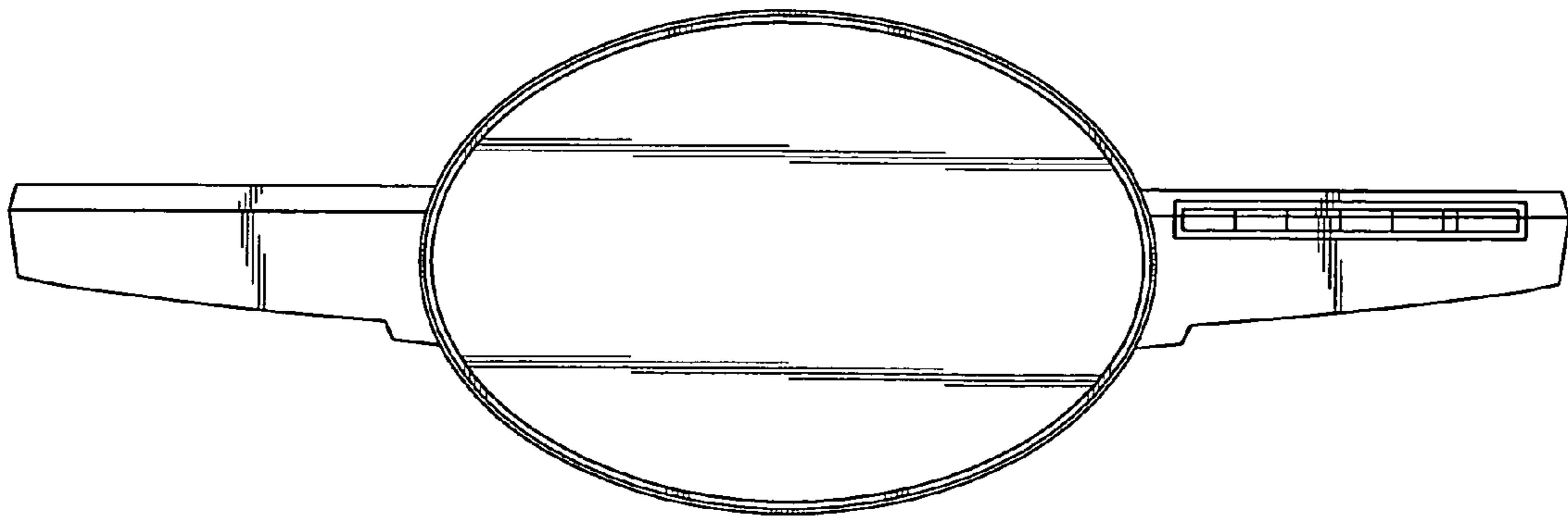


FIG. 7