



US00D632283S

(12) **United States Design Patent**
Cheng

(10) **Patent No.:** **US D632,283 S**
(45) **Date of Patent:** **** Feb. 8, 2011**

(54) **HANDS-FREE VEHICLE BLUETOOTH MICROPHONE**

(75) Inventor: **Jung-Ching Cheng**, Tu-Cheng (TW)

(73) Assignee: **Cheng Uei Precision Industry Co., Ltd.**, Tu-Cheng, Taipei Hsien (TW)

(**) Term: **14 Years**

(21) Appl. No.: **29/350,338**

(22) Filed: **Nov. 13, 2009**

(51) **LOC (9) Cl.** **14-01**

(52) **U.S. Cl.** **D14/225**

(58) **Field of Classification Search** D14/137,
D14/138, 159, 168, 191, 431, 225-229, 224,
D14/242, 155, 167, 203.3, 194, 192, 496;
D13/168; D12/417; 340/825.69; 381/364,
381/365; 455/95, 569.1; 348/148
See application file for complete search history.

(56) **References Cited**

U.S. PATENT DOCUMENTS

- D167,828 S * 9/1952 Florac D14/194
- D299,336 S * 1/1989 Osanai et al. D14/225
- D310,082 S * 8/1990 Kehl et al. D14/227
- D321,692 S * 11/1991 Siddoway et al. D14/226
- D321,880 S * 11/1991 Emmerling D14/192
- D398,304 S * 9/1998 Murray et al. D14/137
- D516,498 S * 3/2006 Eskandry D12/417
- D529,512 S * 10/2006 Reawsanguanwong .. D14/203.3
- D541,784 S * 5/2007 Cho et al. D14/138 AD
- D558,742 S * 1/2008 Koller et al. D14/225

- D568,827 S * 5/2008 Ikeda et al. D13/168
- D573,957 S * 7/2008 Ledbetter et al. D13/168
- D577,715 S * 9/2008 Lim et al. D14/240
- D581,943 S * 12/2008 Pedersen et al. D14/496
- D596,614 S * 7/2009 Wilson D14/188
- D597,522 S * 8/2009 Townsend et al. D14/203.7
- D602,918 S * 10/2009 Bodley et al. D14/225
- D602,919 S * 10/2009 Bodley et al. D14/225

* cited by examiner

Primary Examiner—Austin Murphy

(74) *Attorney, Agent, or Firm*—Cheng-Ju Chiang

(57) **CLAIM**

The ornamental design for a hands free vehicle bluetooth microphone, as shown and described.

DESCRIPTION

FIG. 1 is a perspective view of a hands free vehicle bluetooth microphone showing my new design;

FIG. 2 is a front elevational view thereof;

FIG. 3 is a rear elevational view thereof;

FIG. 4 is a left side elevational view thereof;

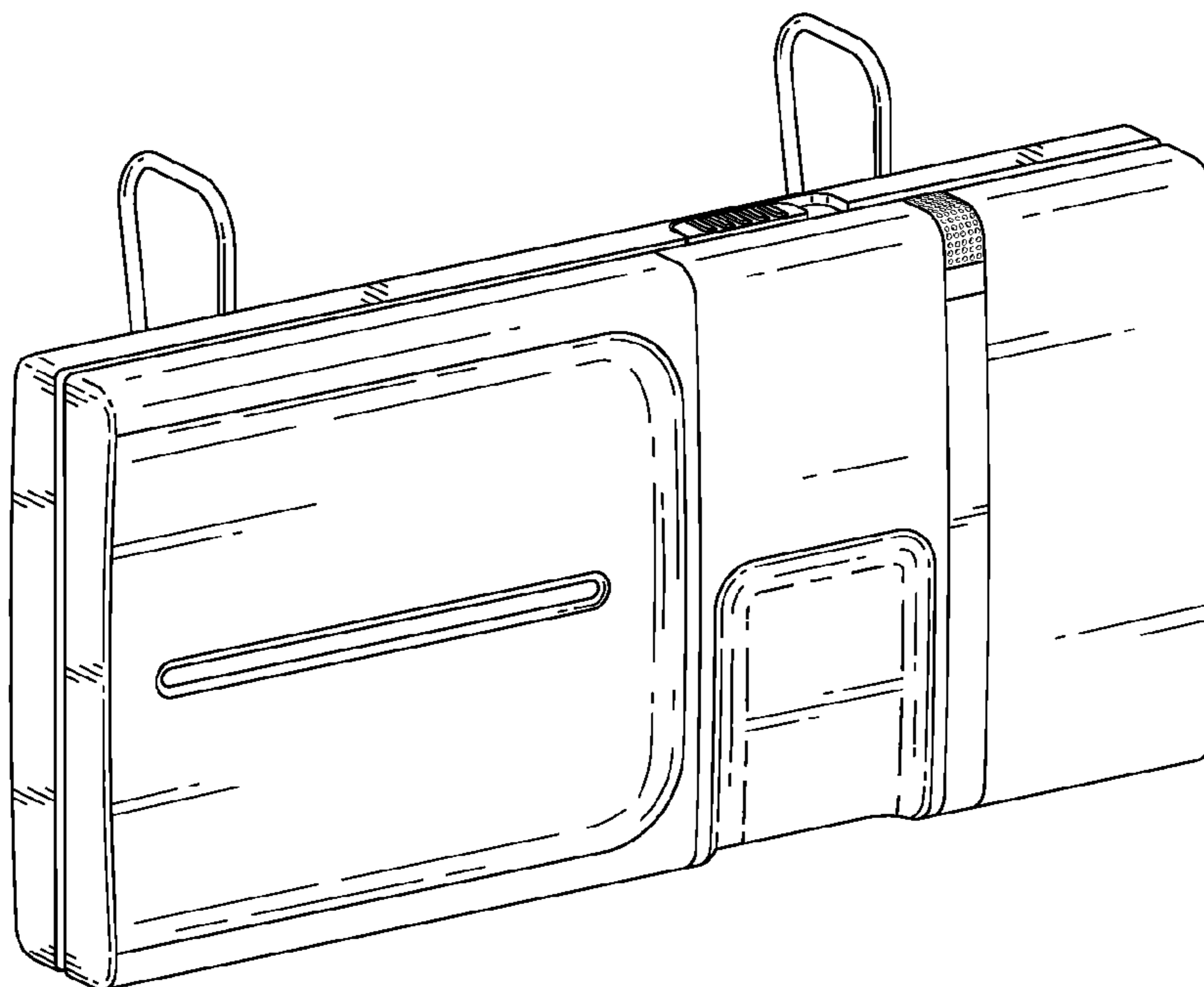
FIG. 5 is a right side elevational view thereof;

FIG. 6 is a top plan view thereof; and,

FIG. 7 is a bottom plan view thereof.

The broken line portion of FIG. 7 is included to show unclaimed subject matter only and forms no part of the claimed design.

1 Claim, 7 Drawing Sheets



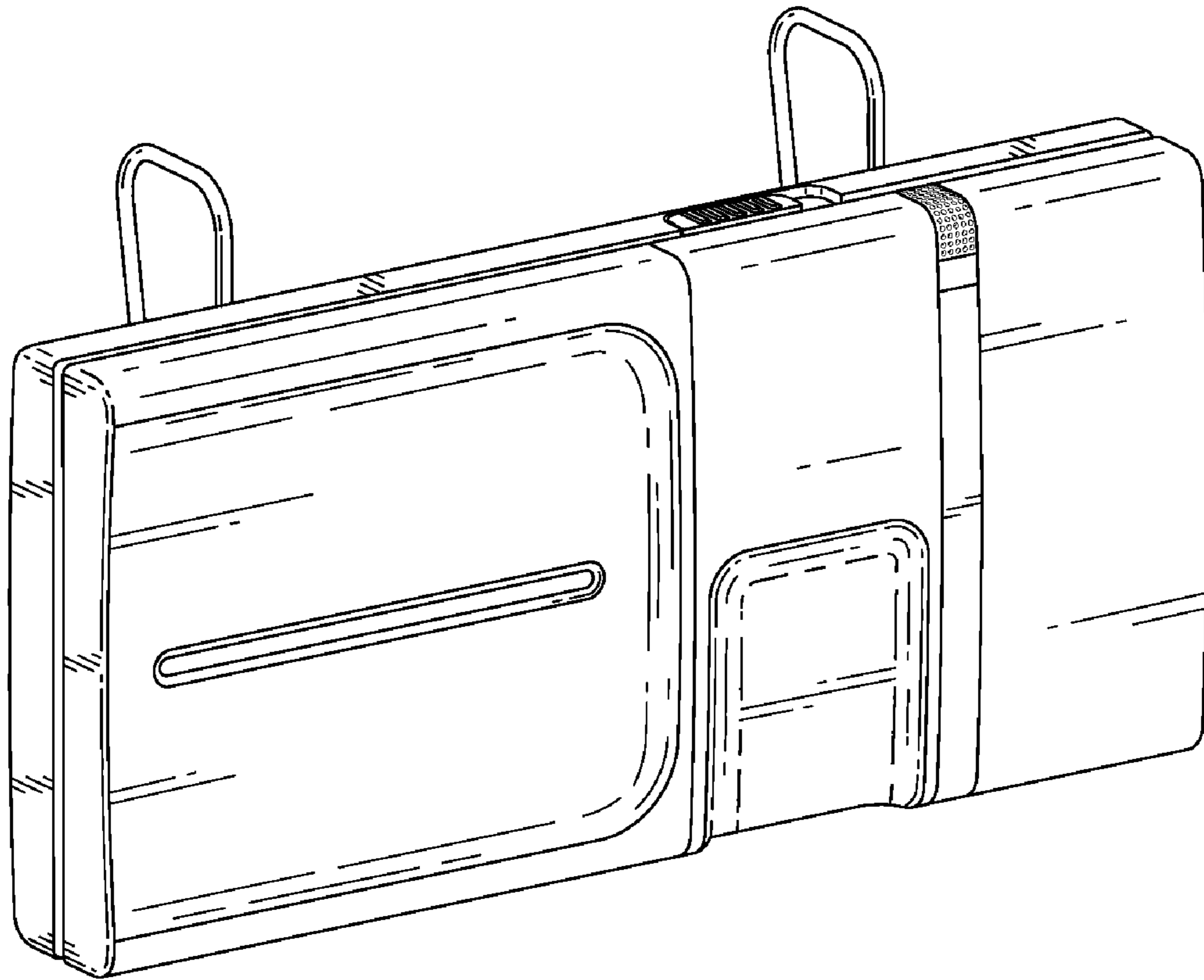


FIG. 1

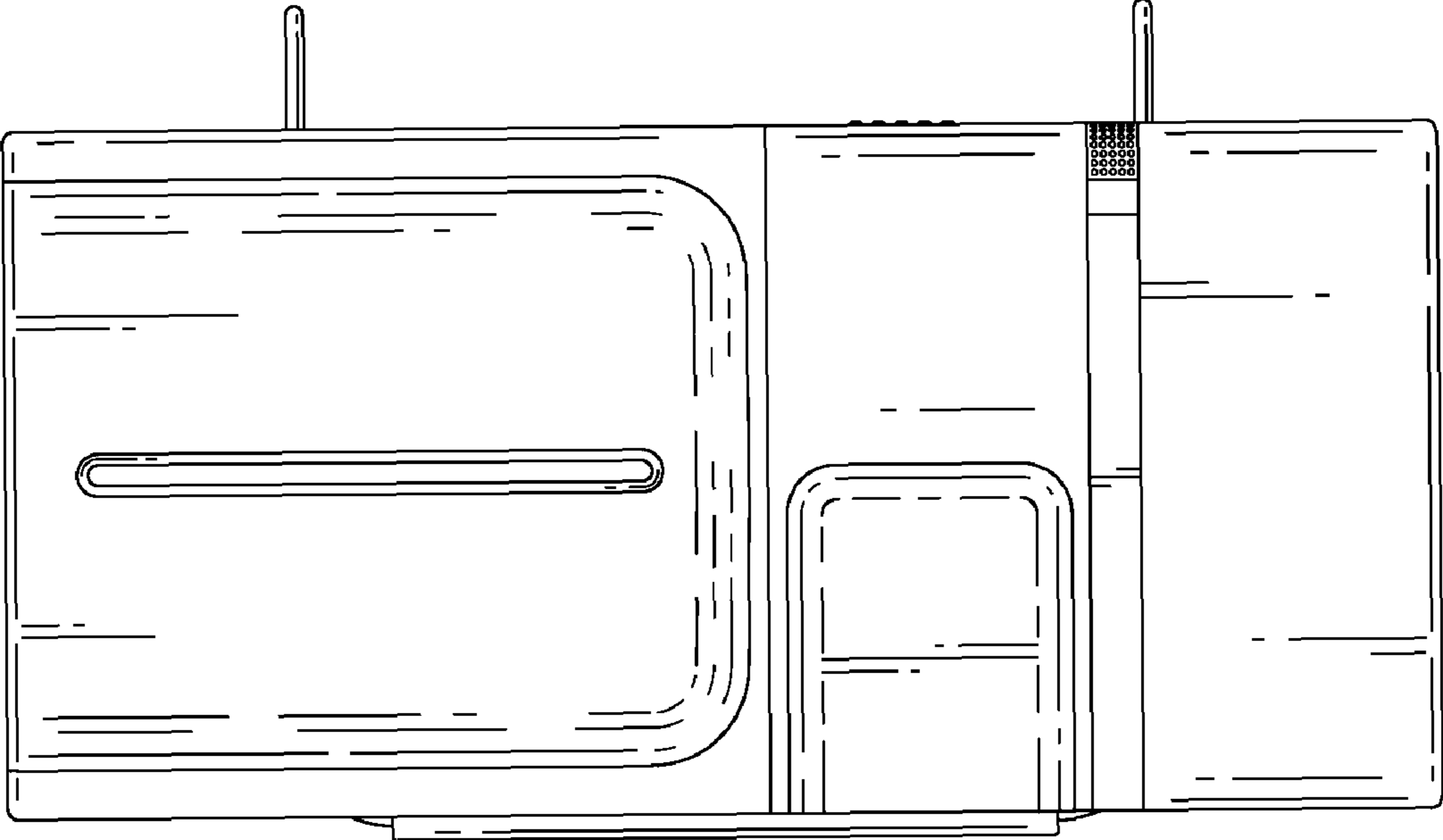


FIG. 2

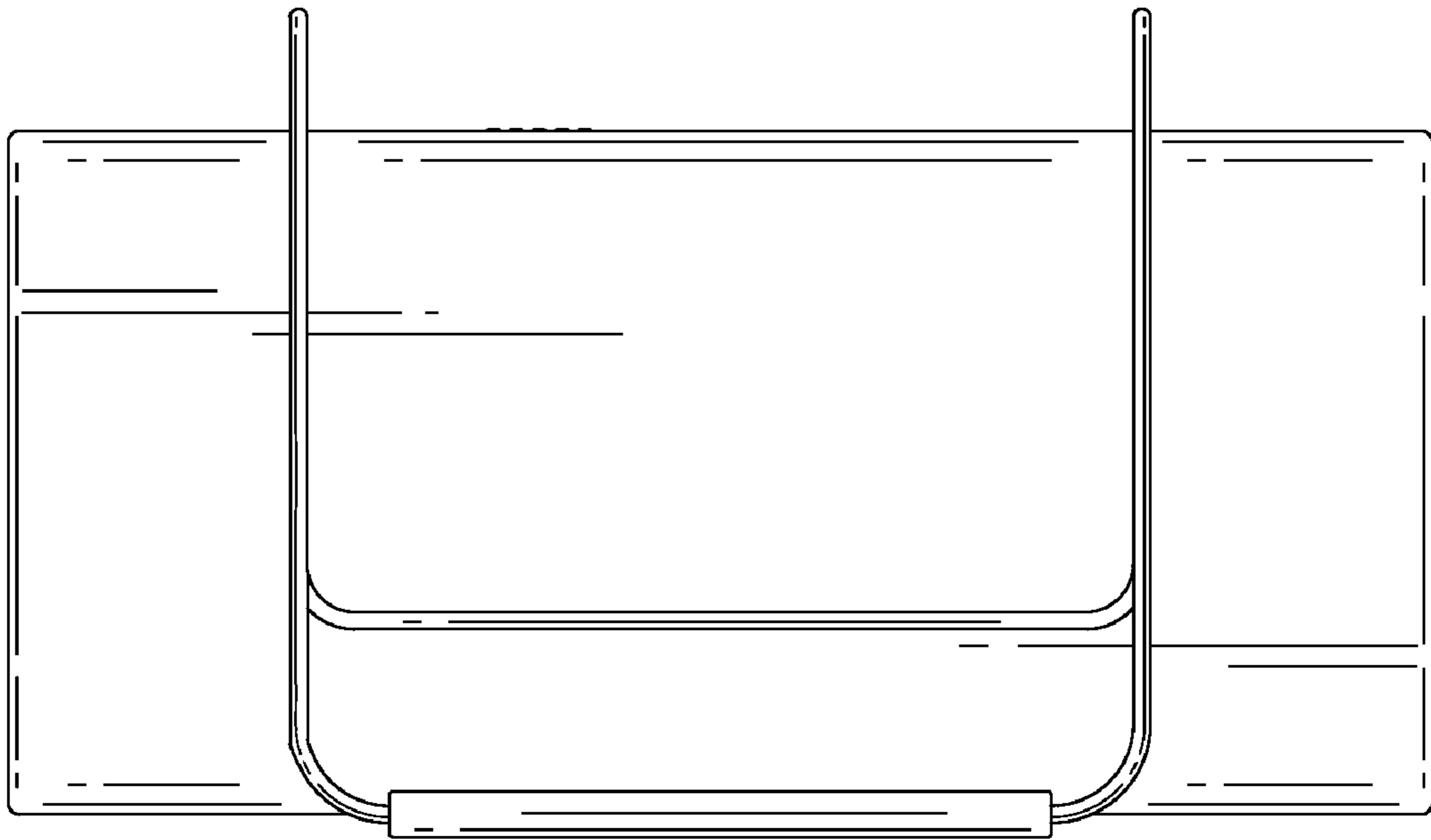


FIG. 3

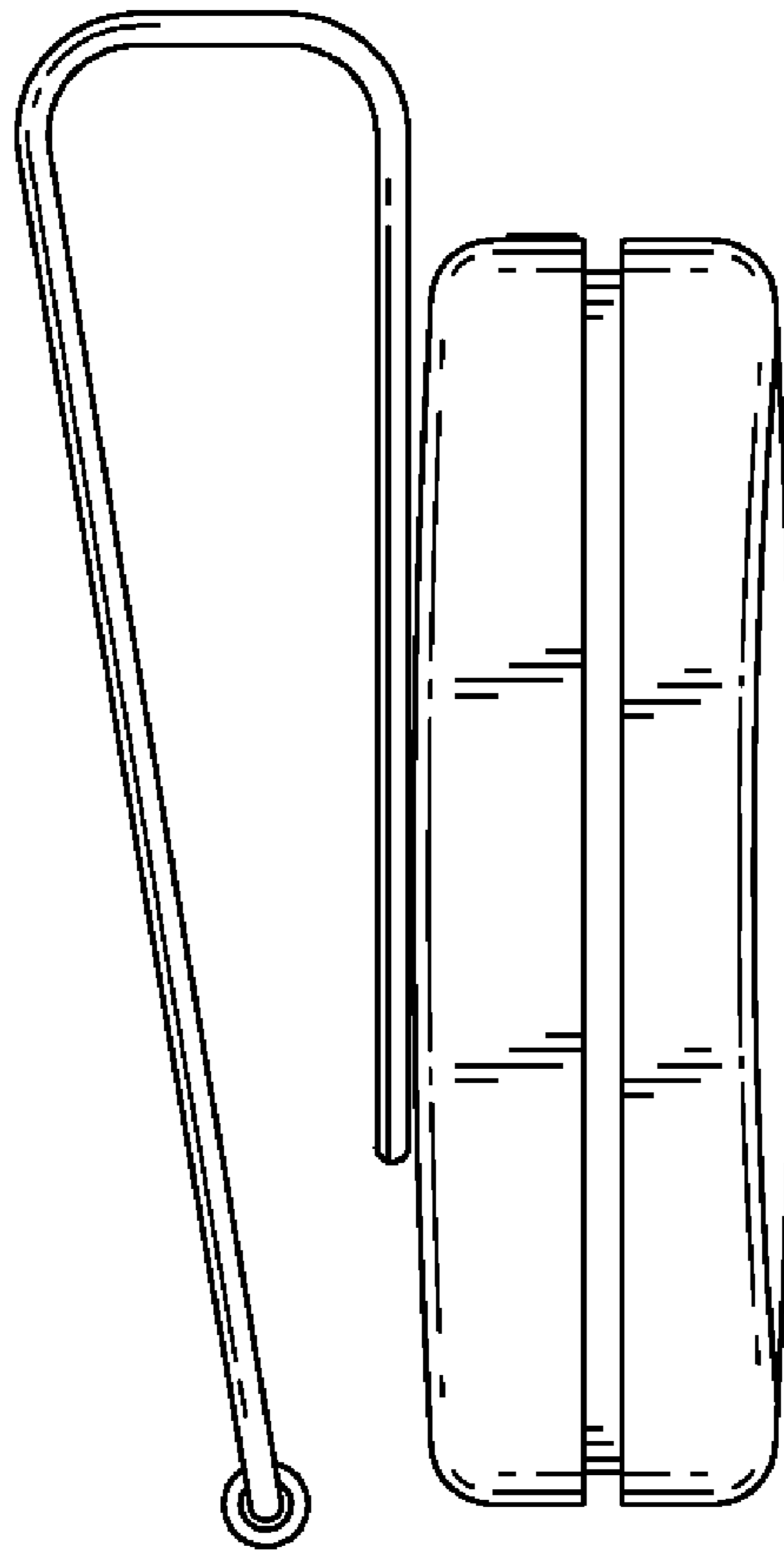


FIG. 4

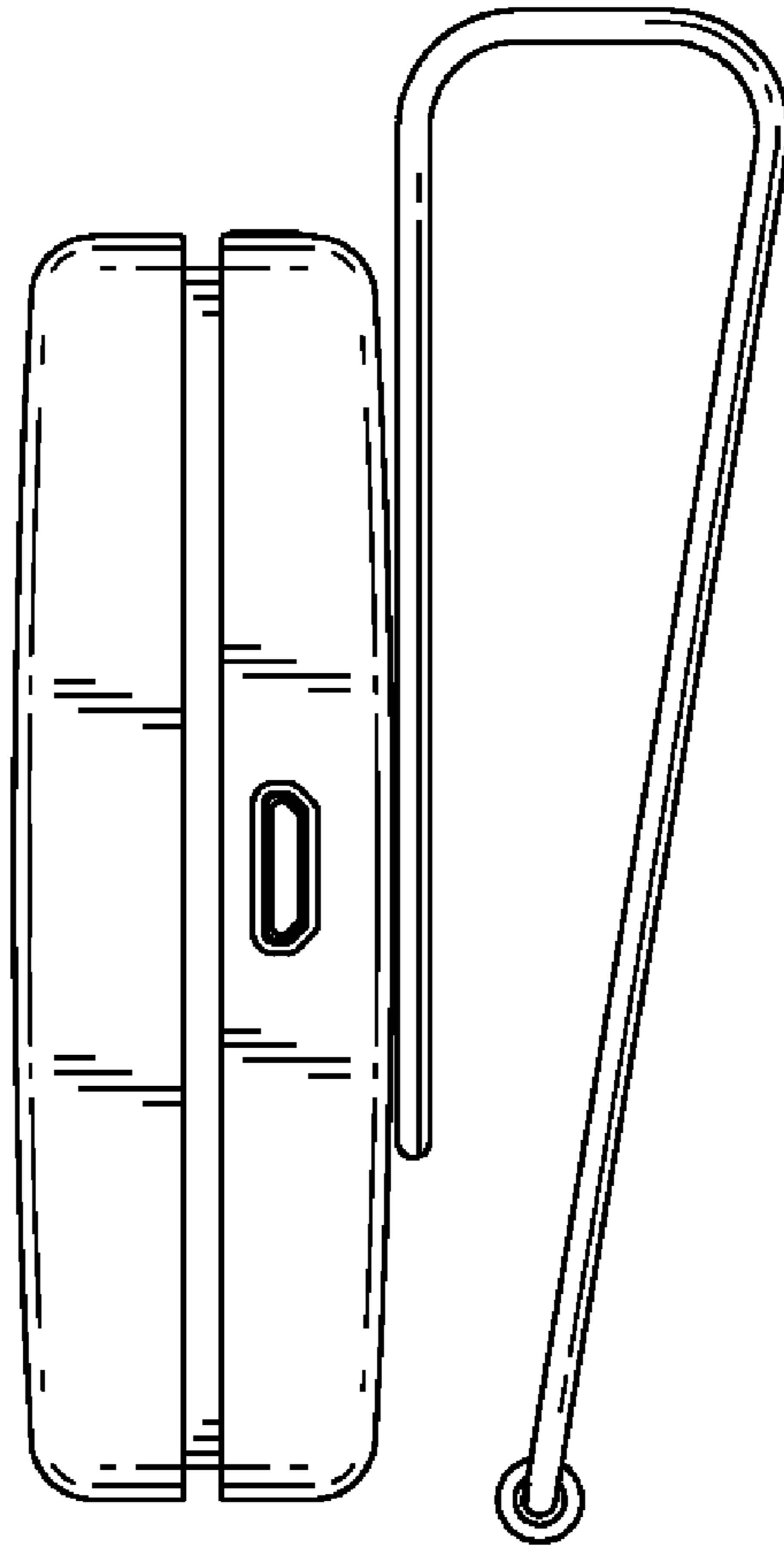


FIG. 5



FIG. 6



FIG. 7