



US00D632279S

(12) **United States Design Patent**  
**Chow**

(10) **Patent No.:** **US D632,279 S**  
(45) **Date of Patent:** **\*\* Feb. 8, 2011**

(54) **DOCKING SPEAKER FOR MEDIA PLAYER**

(75) Inventor: **Kim Fung Chow**, Hong Kong (CN)

(73) Assignee: **Alco Electronics Limited**, Quarry Bay,  
Hong Kong (CN)

(\*\*) Term: **14 Years**

(21) Appl. No.: **29/356,528**

(22) Filed: **Feb. 26, 2010**

(30) **Foreign Application Priority Data**

Sep. 4, 2009 (HK) ..... 0901438

(51) **LOC (9) Cl.** ..... **14-01**

(52) **U.S. Cl.** ..... **D14/209.1**

(58) **Field of Classification Search** ..... D14/204,  
D14/207, 209.1, 210-214, 168, 171-172,  
D14/496, 498-510; 181/143-144, 147-148,  
181/150-153, 157, 198-199; 381/300-303,  
381/306, 332-333, 336, 345, 361-364, 386-388  
See application file for complete search history.

(56) **References Cited**

**U.S. PATENT DOCUMENTS**

D517,040 S \* 3/2006 Hasegawa et al. .... D14/168

D519,977 S \* 5/2006 Oikawa ..... D14/500  
D552,074 S \* 10/2007 Aquillano et al. .... D14/168  
D556,737 S \* 12/2007 Oh ..... D14/214  
D576,979 S \* 9/2008 Yagihashi ..... D14/506  
D591,308 S \* 4/2009 Sasaki et al. .... D14/496  
D598,005 S \* 8/2009 Amano ..... D14/209.1

\* cited by examiner

*Primary Examiner*—Nanda Bondade

(74) *Attorney, Agent, or Firm*—Leydig, Voit & Mayer, Ltd.

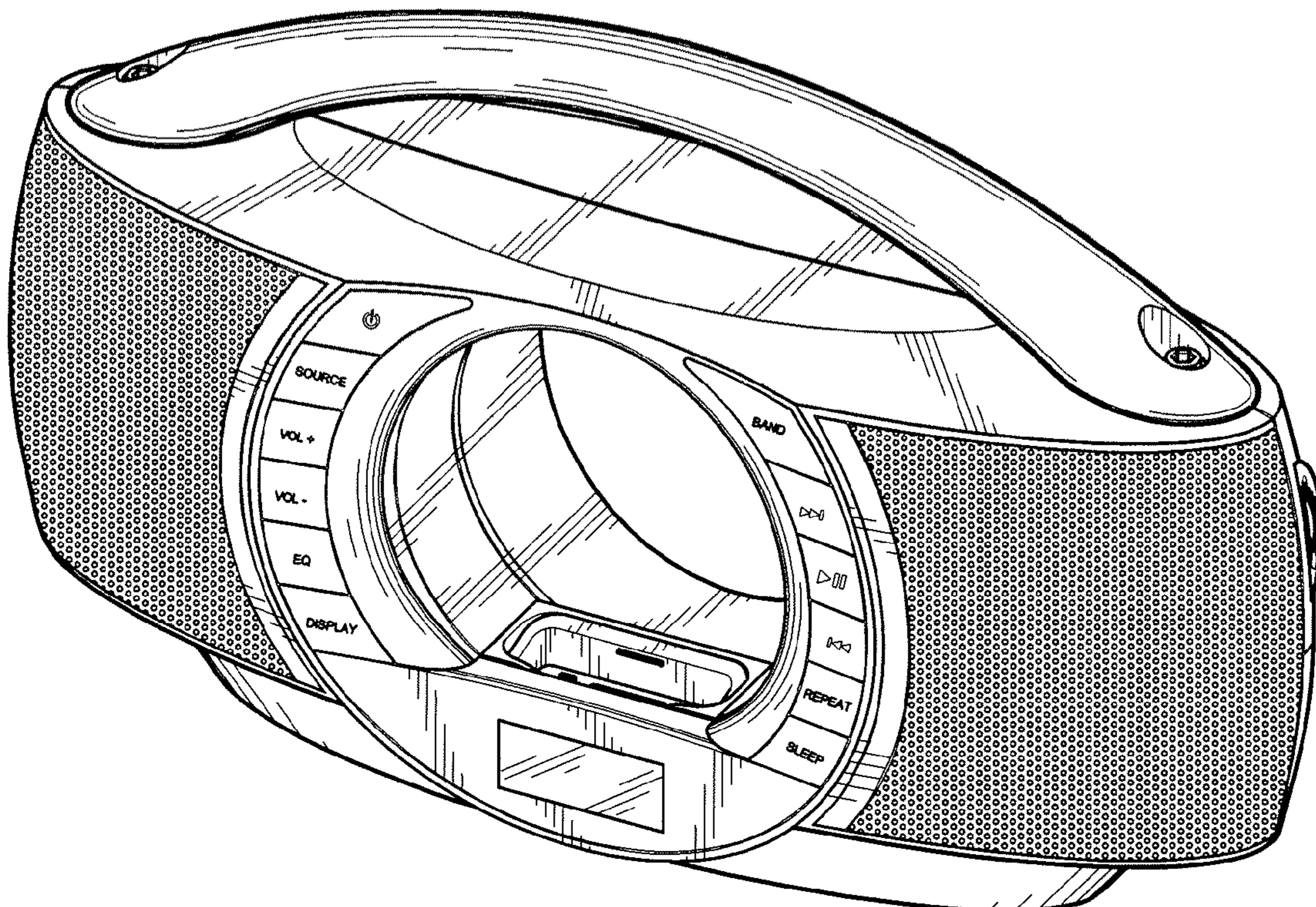
(57) **CLAIM**

The ornamental design for a docking speaker for media player, as shown and described.

**DESCRIPTION**

FIG. 1 is a perspective view of a docking speaker for media player showing my new design;  
FIG. 2 is a front view thereof;  
FIG. 3 is a rear view thereof;  
FIG. 4 is a left side view thereof;  
FIG. 5 is a right side view thereof;  
FIG. 6 is a top view thereof; and,  
FIG. 7 is a bottom view thereof.

**1 Claim, 4 Drawing Sheets**



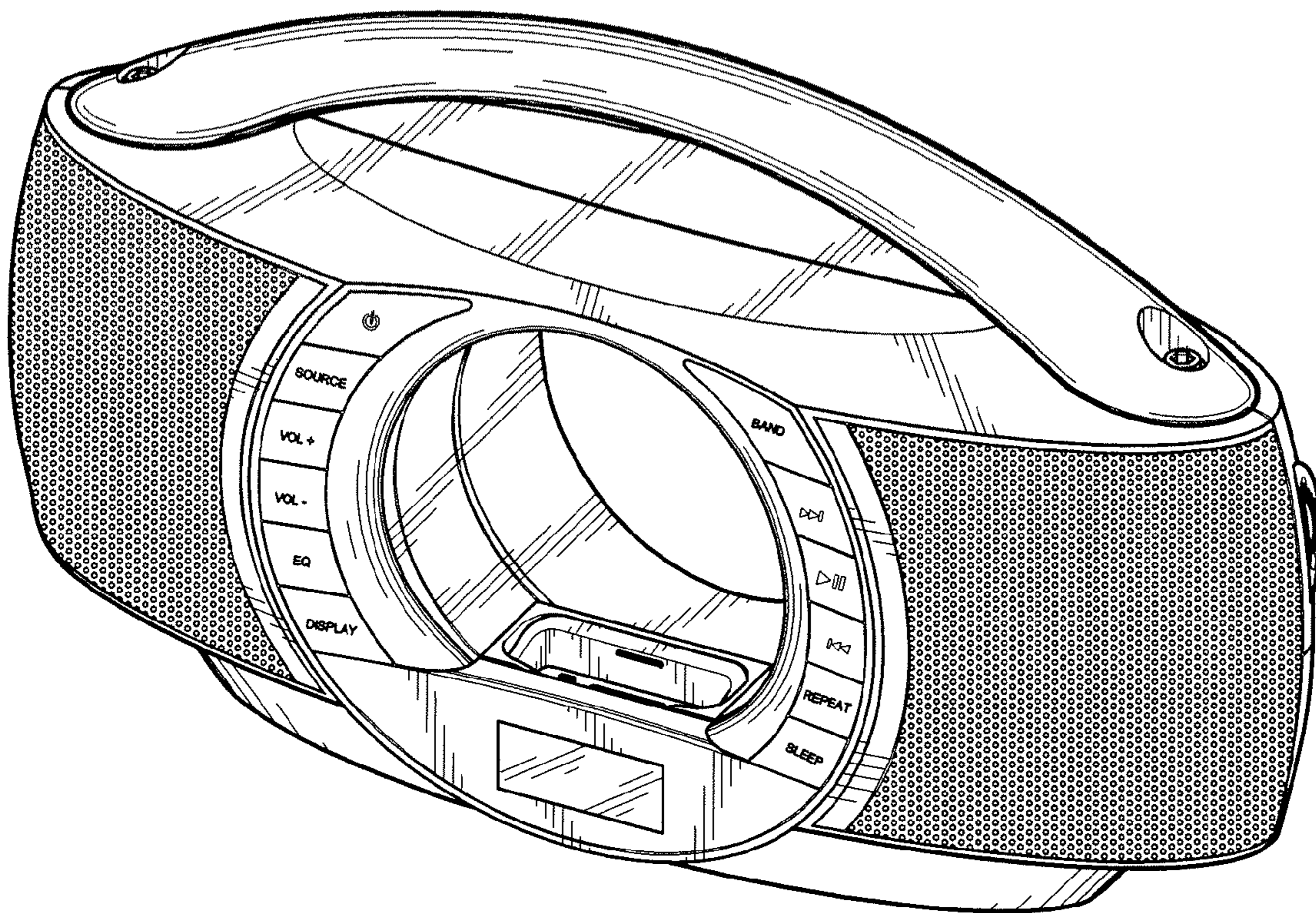


FIG.1

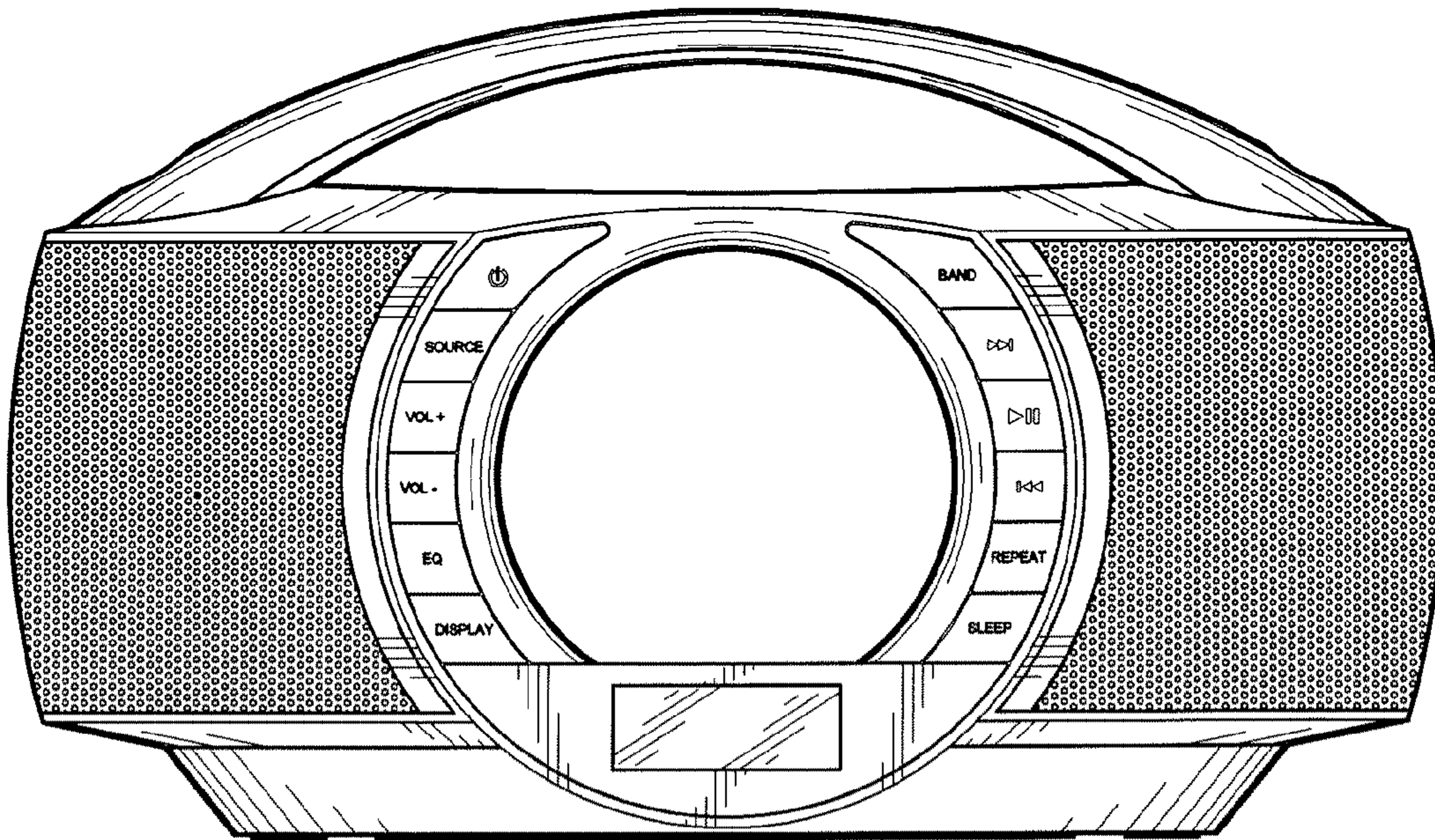


FIG. 2

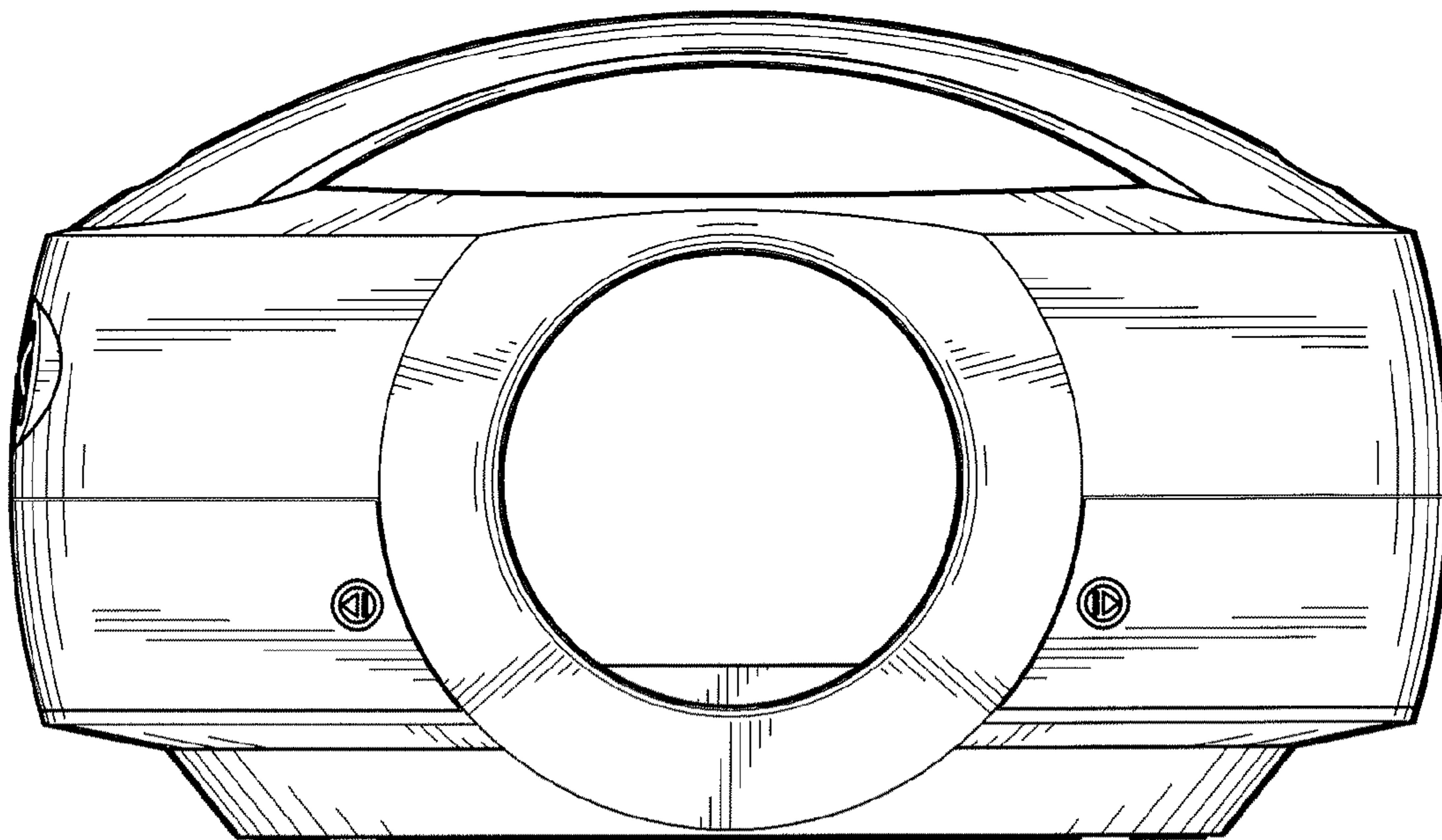


FIG. 3

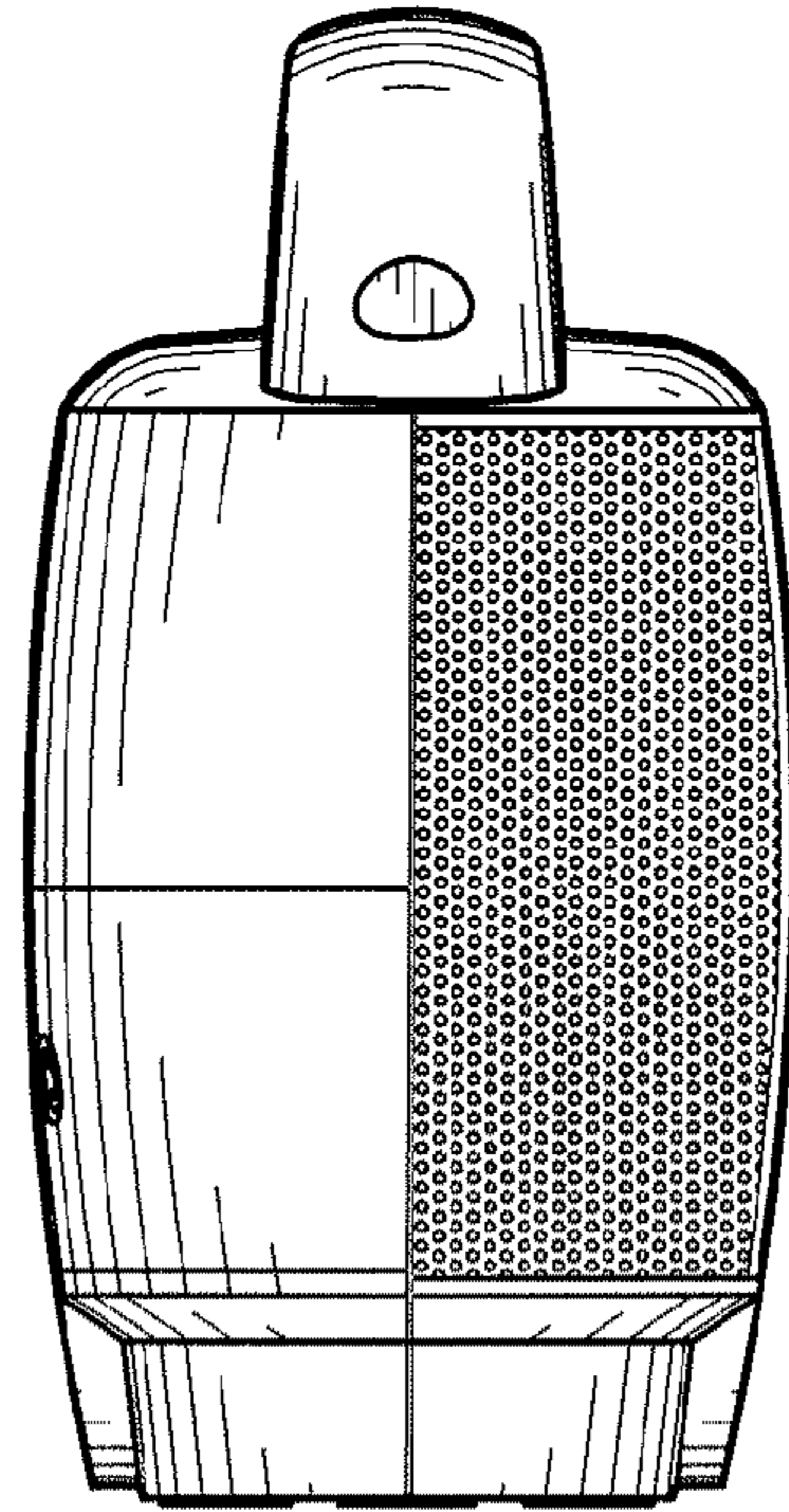


FIG.4

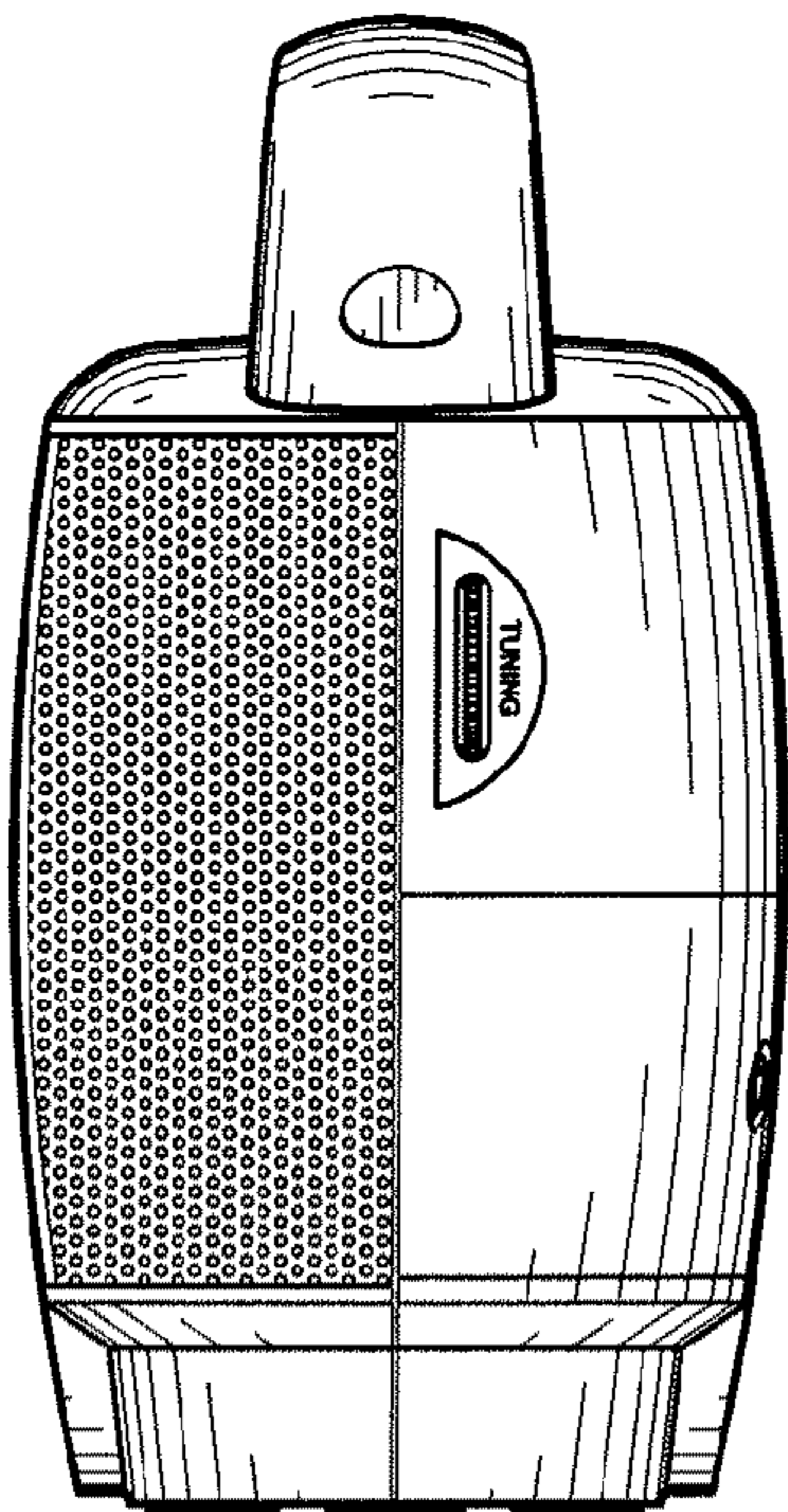


FIG.5

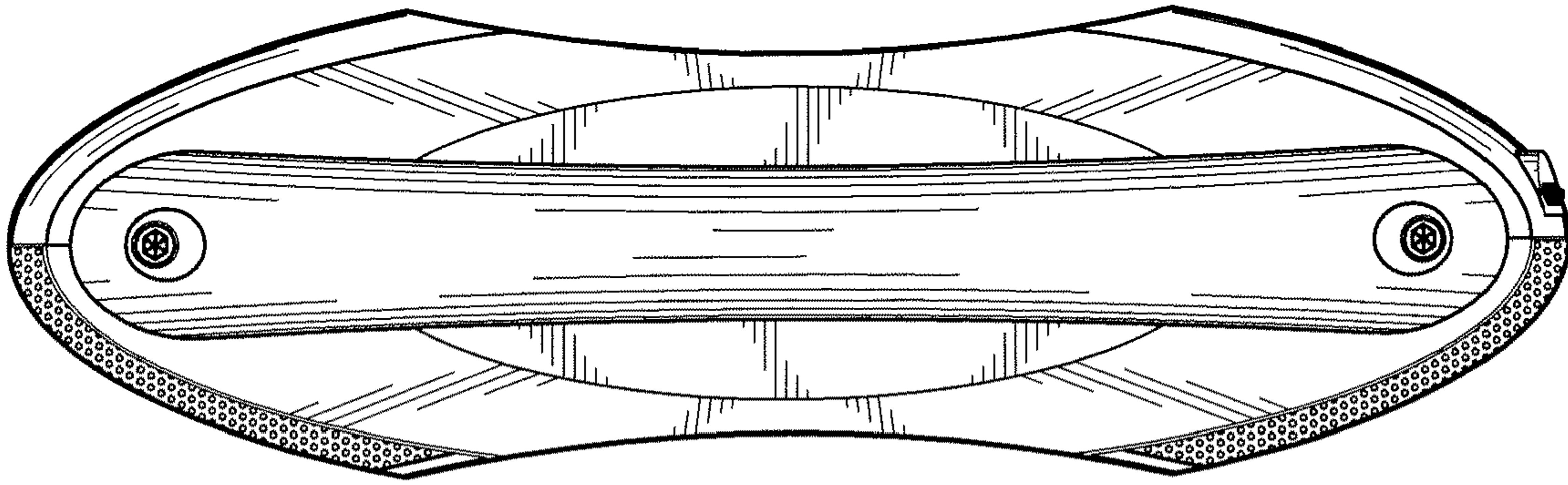


FIG. 6

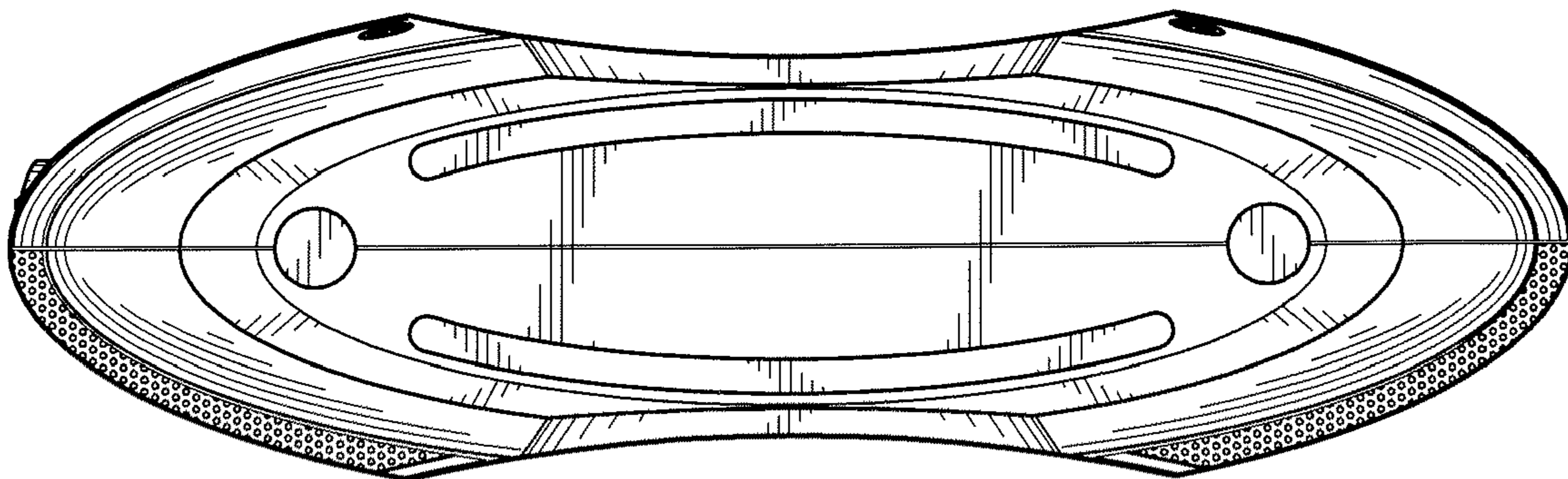


FIG. 7