



US00D632275S

(12) **United States Design Patent**  
**Chen**

(10) **Patent No.:** **US D632,275 S**  
(45) **Date of Patent:** **\*\* Feb. 8, 2011**

(54) **MOBILE PHONE**

(75) Inventor: **Chih-Chung Chen**, Tu-Cheng (TW)

(73) Assignee: **Cheng Uei Precision Industry Co., Ltd.**, Tu-Cheng, Taipei Hsien (TW)

(\*\*) Term: **14 Years**

(21) Appl. No.: **29/363,182**

(22) Filed: **Jun. 5, 2010**

(51) **LOC (9) Cl.** ..... **14-03**

(52) **U.S. Cl.** ..... **D14/138 AA**

(58) **Field of Classification Search** ..... D14/138 AA,  
D14/496, 341, 345, 346, 203.3, 203.4, 203.7,  
D14/138 AD, 138 R, 147, 148, 218, 137;  
455/575.1, 556.2, 575.3, 575.4; D21/517;  
379/433.01, 433.04; D13/168

See application file for complete search history.

(56) **References Cited**

**U.S. PATENT DOCUMENTS**

D485,819 S *	1/2004	Ahlgren	.....	D14/138 AA
D543,967 S *	6/2007	Peng	.....	D14/138 AA
D584,269 S *	1/2009	Baik et al.	.....	D14/138 AA
D587,669 S *	3/2009	Aarras	.....	D14/138 AA
D597,047 S *	7/2009	Jung et al.	.....	D14/138 AA
D601,115 S *	9/2009	Kim et al.	.....	D14/138 AA
D601,116 S *	9/2009	Baik et al.	.....	D14/138 AA
D601,541 S *	10/2009	Lee et al.	.....	D14/138 AA
D605,153 S *	12/2009	Chung et al.	.....	D14/138 AA
D607,867 S *	1/2010	Baik et al.	.....	D14/138 AA
D608,757 S *	1/2010	Wang et al.	.....	D14/138 AA
7,672,118 B2 *	3/2010	Yamazato et al.	.....	361/679.02
D613,708 S *	4/2010	Park et al.	.....	D14/138 AA
7,698,786 B2 *	4/2010	Chang et al.	.....	16/386
D617,292 S *	6/2010	Chen et al.	.....	D14/138 AA
D617,296 S *	6/2010	Kanatani	.....	D14/138 AA
D617,297 S *	6/2010	Baik et al.	.....	D14/138 AA
D617,300 S *	6/2010	Tzeng et al.	.....	D14/138 AA
D621,807 S *	8/2010	Stone	.....	D14/138 AA
D621,809 S *	8/2010	Cui	.....	D14/138 AA
D623,161 S *	9/2010	Kwon et al.	.....	D14/138 AA

2009/0305751 A1 *	12/2009	Soderlund	.....	455/575.1
2009/0318200 A1 *	12/2009	Huang	.....	455/575.1
2010/0137039 A1 *	6/2010	Liu	.....	455/575.1

**OTHER PUBLICATIONS**

Sony Ericsson C702 telephone, announced Feb. 2008, [online], [site visited Sep. 22, 2010]. Available from Internet, <URL: <http://www.gsmarena.com>>.\*

Sony Ericsson T700 telephone, announced Aug. 2008, [online], [site visited Sep. 22, 2010]. Available from Internet, <URL: <http://www.gsmarena.com>>.\*

Sony Ericsson W888 telephone, announced Feb. 2007, [online], [site visited Sep. 22, 2010]. Available from Internet, <URL: <http://www.gsmarena.com>>.\*

Sony Ericsson R300 Radio telephone, announced Jan. 2008, [online], [site visited Sep. 22, 2010]. Available from Internet, <URL: <http://www.gsmarena.com>>.\*

(Continued)

*Primary Examiner*—Jeffrey D Asch

(74) *Attorney, Agent, or Firm*—Cheng-Ju Chiang

(57) **CLAIM**

The ornamental design for a mobile phone, as shown and described.

**DESCRIPTION**

FIG. 1 is a perspective view of a mobile phone showing my new design;

FIG. 2 is a front elevational view thereof;

FIG. 3 is a rear elevational view thereof;

FIG. 4 is a left side elevational view thereof;

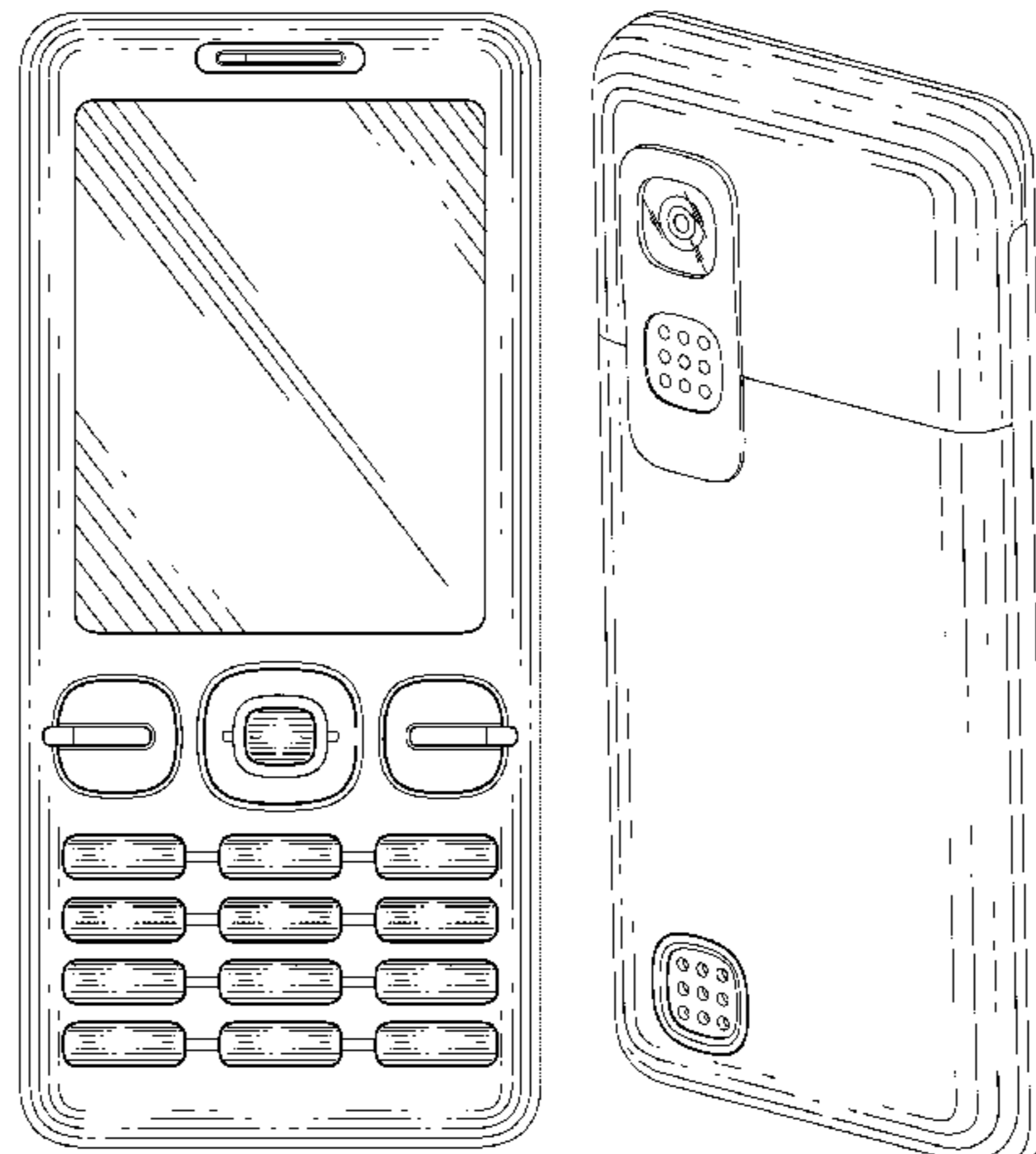
FIG. 5 is a right side elevational view thereof;

FIG. 6 is a top plan view thereof;

FIG. 7 is a bottom plan view thereof; and,

FIG. 8 is another perspective view of a mobile phone showing my new design.

**1 Claim, 8 Drawing Sheets**



OTHER PUBLICATIONS

Sony Ericsson V640 telephone, announced Sep. 2007, [online], [site visited Sep. 22, 2010]. Available from Internet, <URL: <http://www.gsmarena.com>>.\*

Sony Ericsson K510 telephone, announced Feb. 2006, [online], [site visited Sep. 22, 2010]. Available from Internet, <URL: <http://www.gsmarena.com>>.\*

Samsung i550 telephone, announced Aug. 2007, [online], [site visited Sep. 22, 2010]. Available from Internet, <URL: <http://www.gsmarena.com>>.\*

Toshiba TS705 telephone, announced Jun. 2006, [online], [site visited Sep. 22, 2010]. Available from Internet, <URL: <http://www.gsmarena.com>>.\*

\* cited by examiner

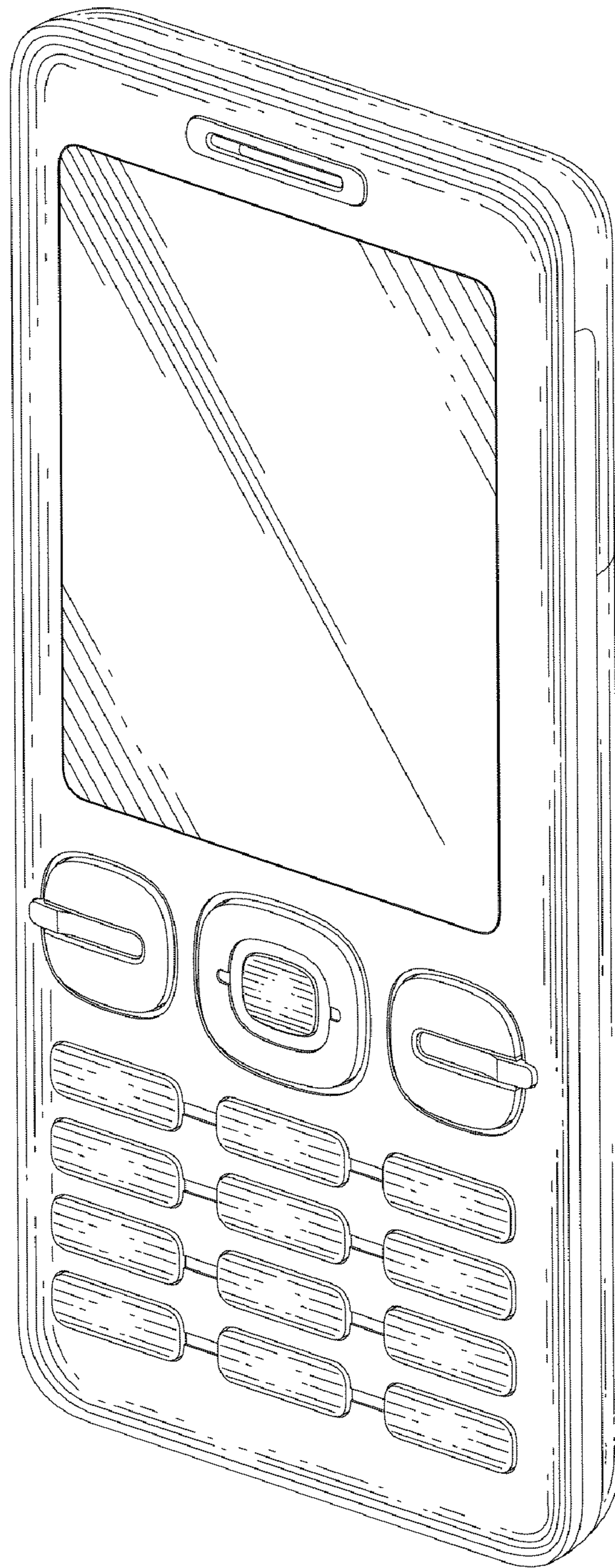


FIG. 1

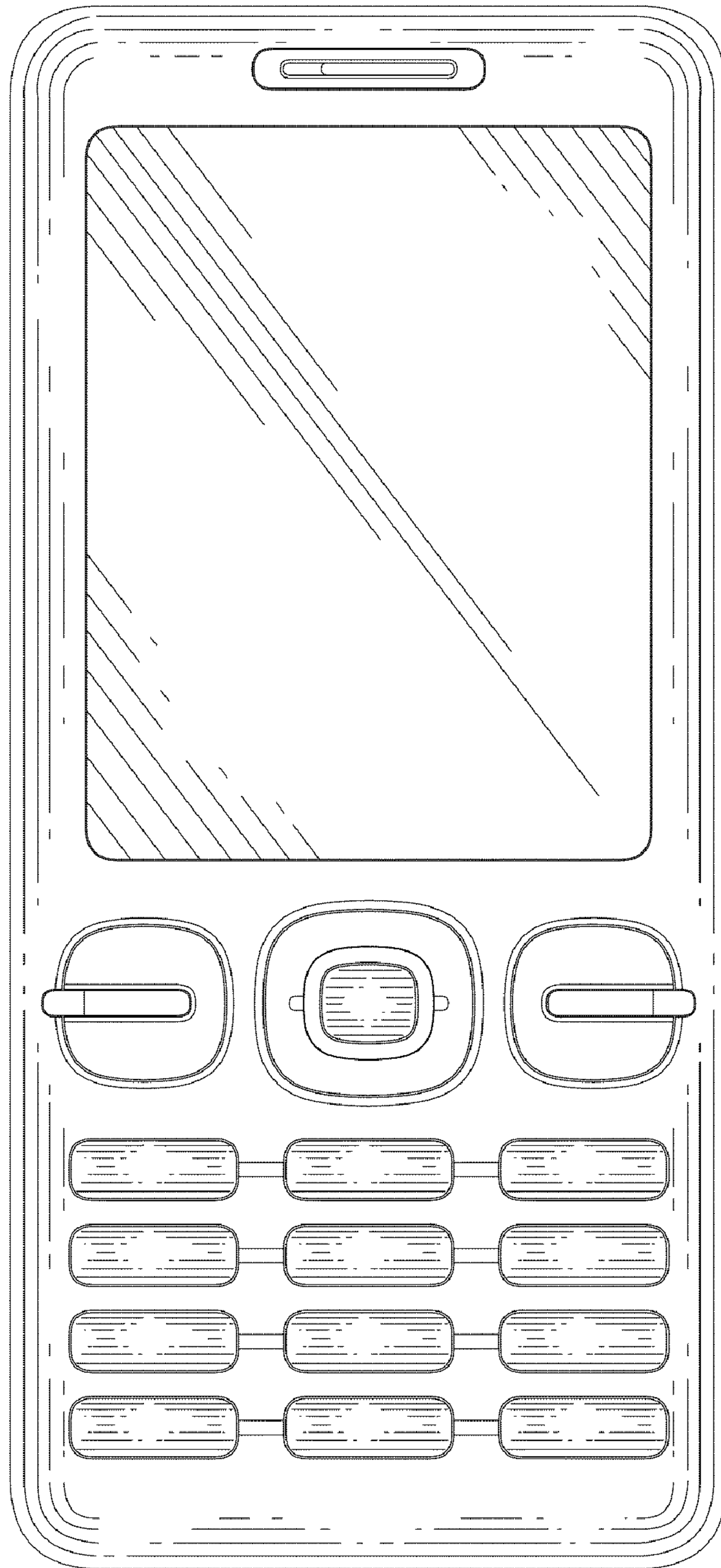


FIG. 2

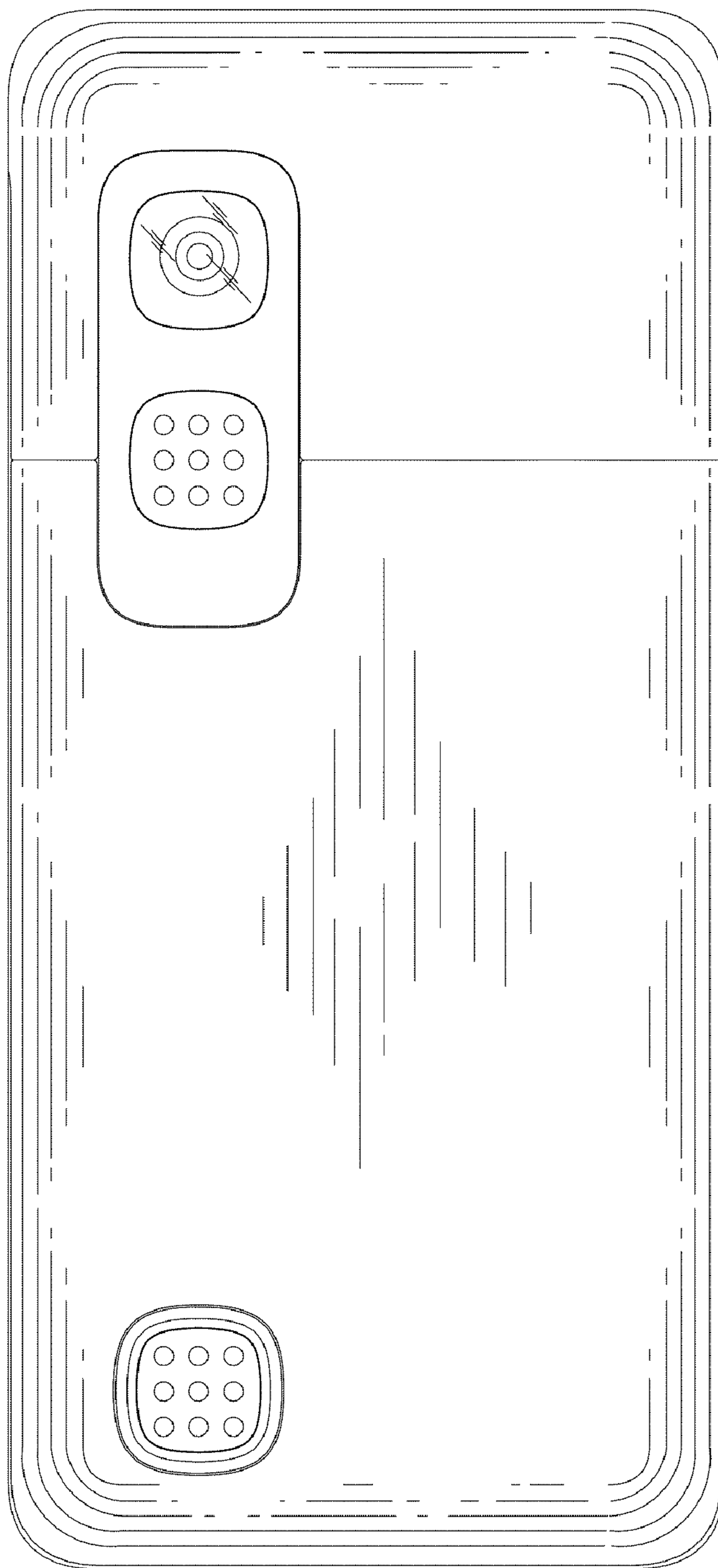


FIG. 3

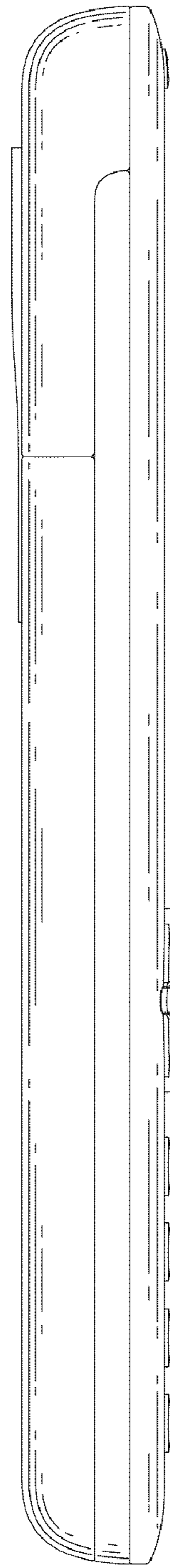


FIG. 4

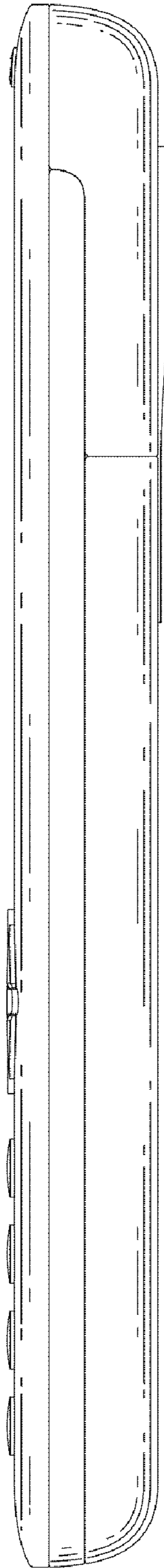


FIG. 5

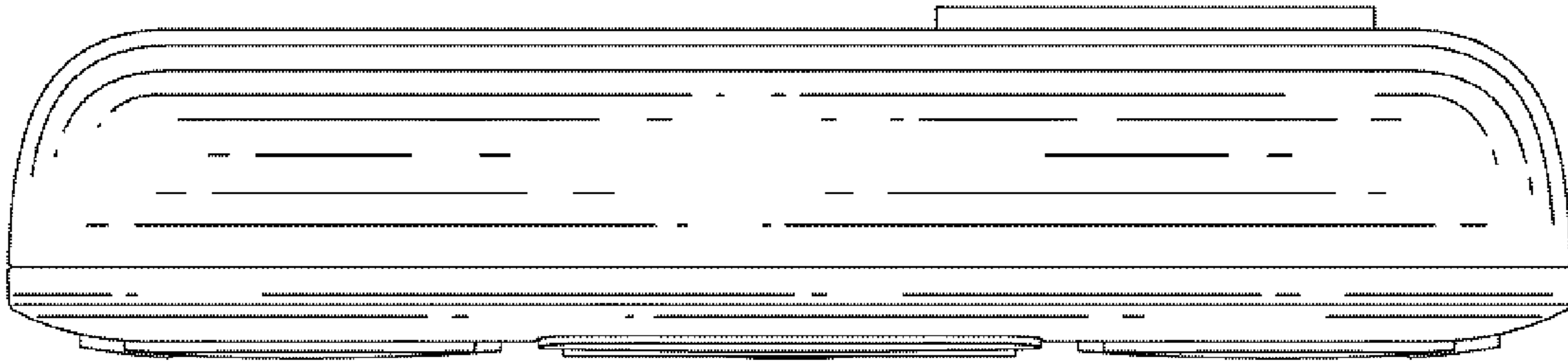


FIG. 6



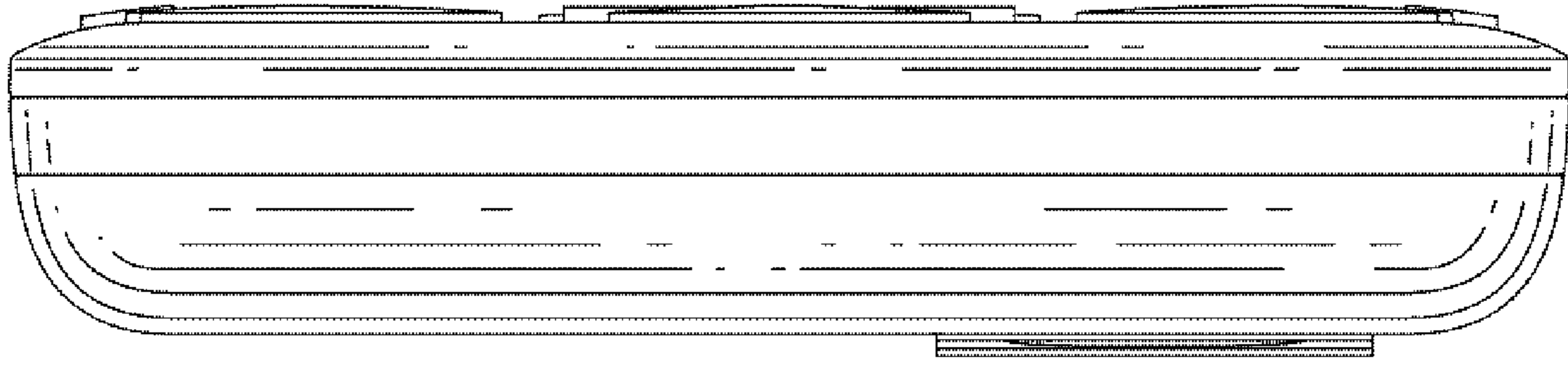


FIG. 7

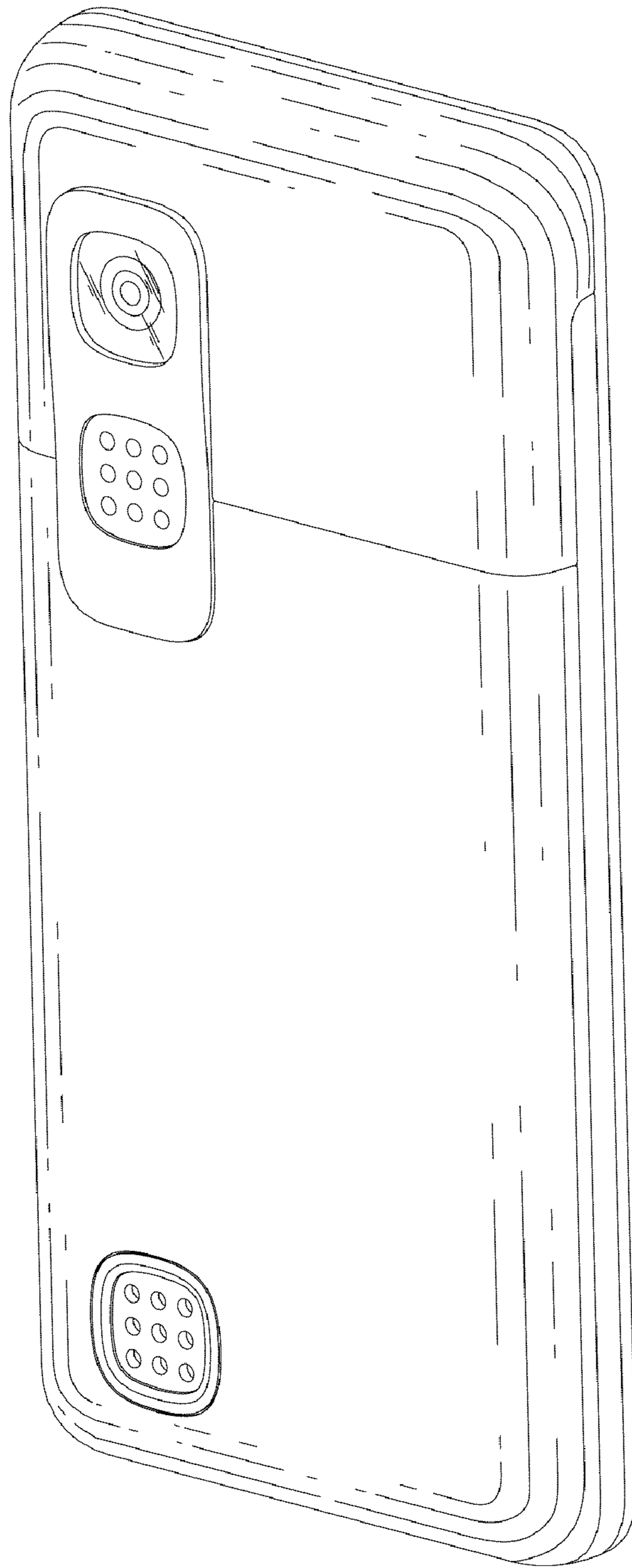


FIG. 8