



US00D632267S

(12) **United States Design Patent**
Chen et al.

(10) **Patent No.:** **US D632,267 S**
(45) **Date of Patent:** **** Feb. 8, 2011**

(54) **LIGHT EMITTING DIODE PACKAGING CARRIER**
(75) Inventors: **Chin-Ming Chen**, Hsinchu County (TW); **Chin-Chang Hsu**, Pingtung County (TW); **Hsuan-Chi Liu**, Hsinchu County (TW)

D584,246 S * 1/2009 Low et al. D13/180
D595,244 S * 6/2009 In et al. D13/180
D595,245 S * 6/2009 Kim et al. D13/180
D595,675 S * 7/2009 Wang et al. D13/180
D596,591 S * 7/2009 In et al. D13/180
D597,971 S * 8/2009 Kobayakawa et al. D13/180
D599,750 S * 9/2009 Kim et al. D13/180
D608,309 S * 1/2010 Kim D13/180

(73) Assignee: **Lextar Electronics Corp.**, Hsinchu (TW)

* cited by examiner

(**) Term: **14 Years**

Primary Examiner—Selina Sikder

(21) Appl. No.: **29/361,186**

(74) *Attorney, Agent, or Firm*—Schmeiser, Olsen & Watts LLP

(22) Filed: **May 6, 2010**

(57) **CLAIM**

(30) **Foreign Application Priority Data**

The ornamental design for a light emitting diode packaging carrier, as shown and described.

Feb. 12, 2010 (TW) 99300769

DESCRIPTION

(51) **LOC (9) Cl.** **13-03**

FIG. 1 is a front perspective view of the packaging carrier showing our new design;

(52) **U.S. Cl.** **D13/180**

FIG. 2 is a front elevational view thereof;

(58) **Field of Classification Search** D13/180;
D26/2; 257/79, 80, 81, 88, 89, 95, 98, 99,
257/100, E33.058; 313/483, 498, 500; 362/555,
362/800

FIG. 3 is a rear elevational view thereof;

FIG. 4 is a left side elevational view thereof;

See application file for complete search history.

FIG. 5 is a right side elevational view thereof; and,

FIG. 6 is a top plan view thereof.

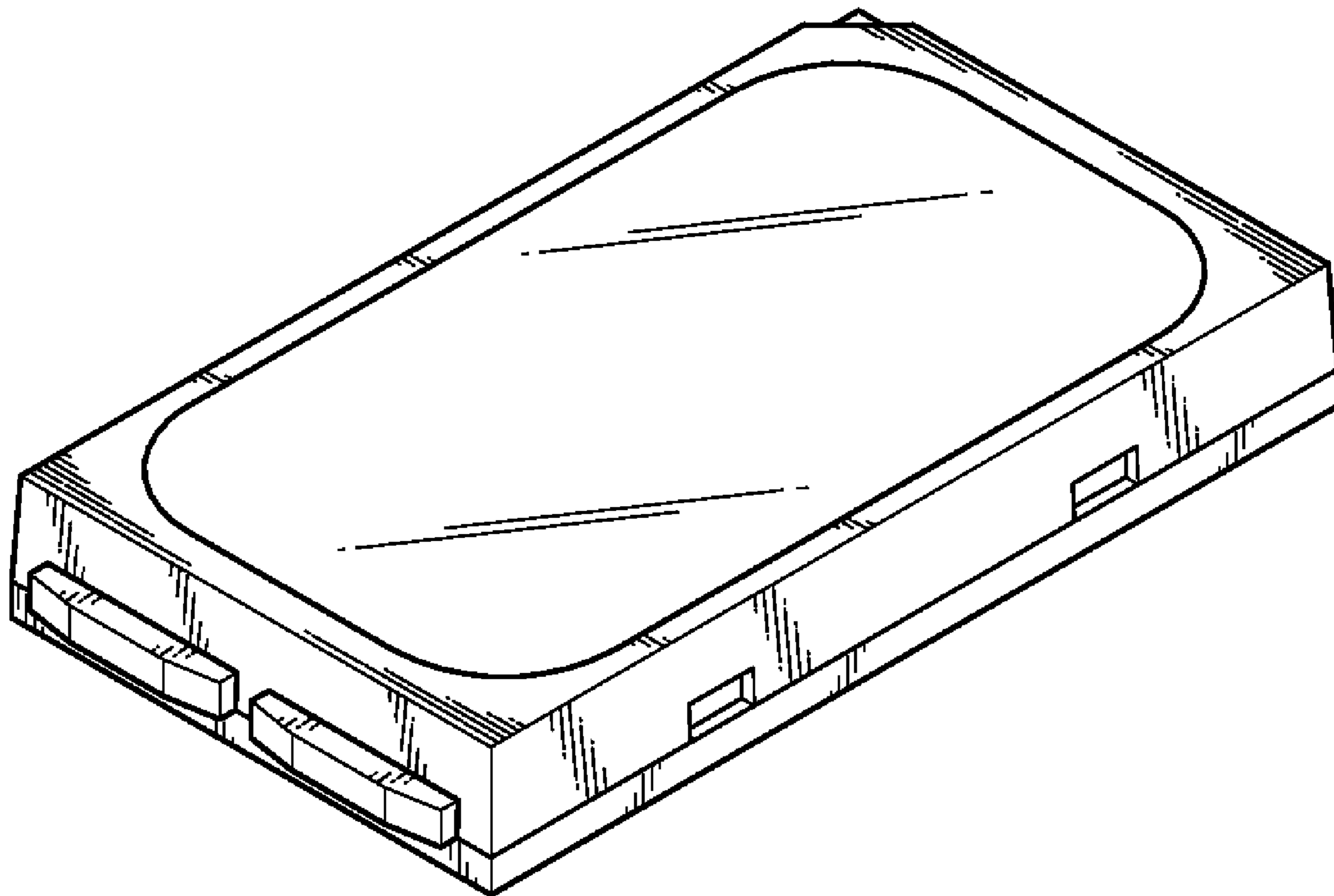
(56) **References Cited**

FIG. 7 is a bottom plan view thereof wherein the broken lines form no part of the claimed design.

U.S. PATENT DOCUMENTS

D495,304 S * 8/2004 Kim et al. D13/180
D578,969 S * 10/2008 Kobayakawa D13/180

1 Claim, 3 Drawing Sheets



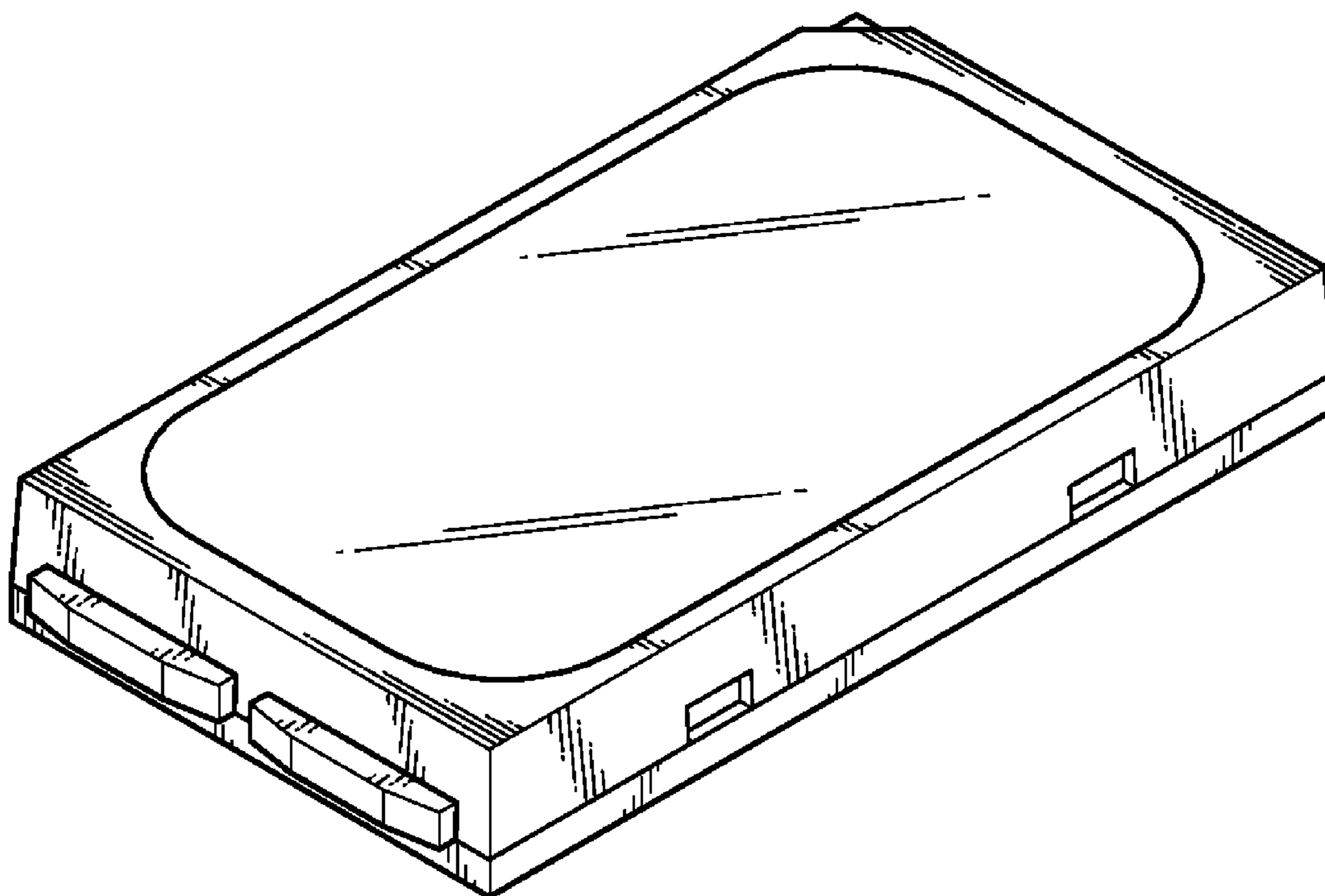


FIG. 1

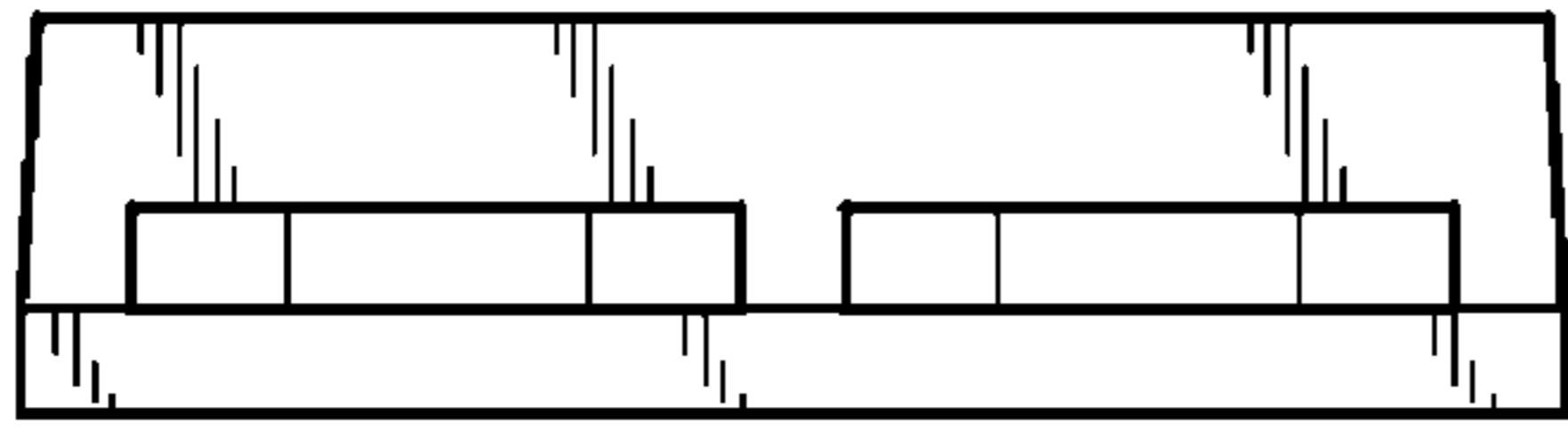


FIG. 2

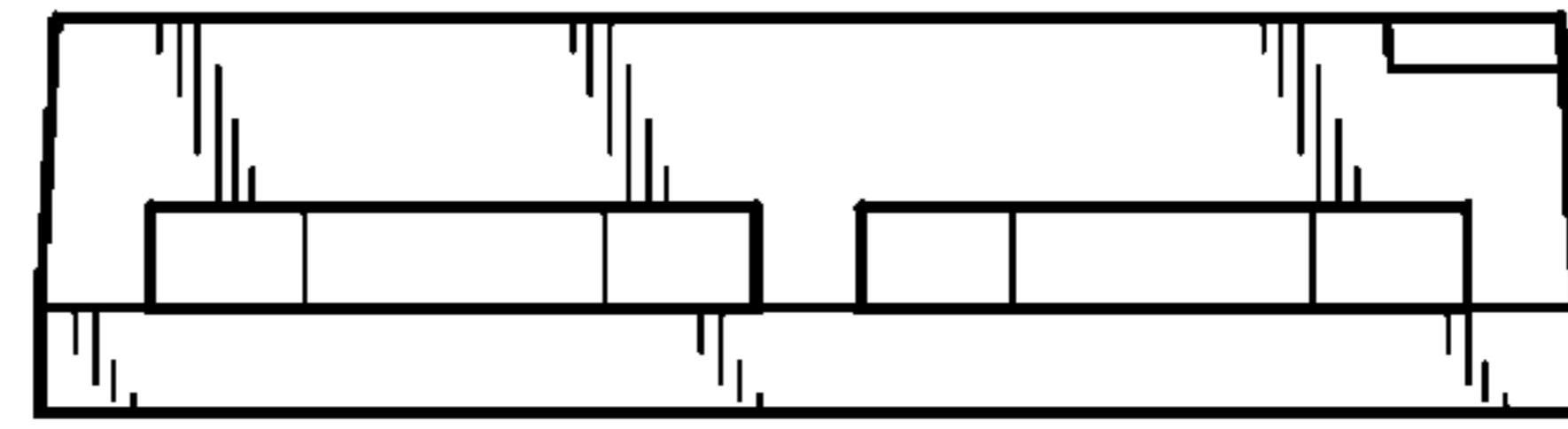


FIG. 3

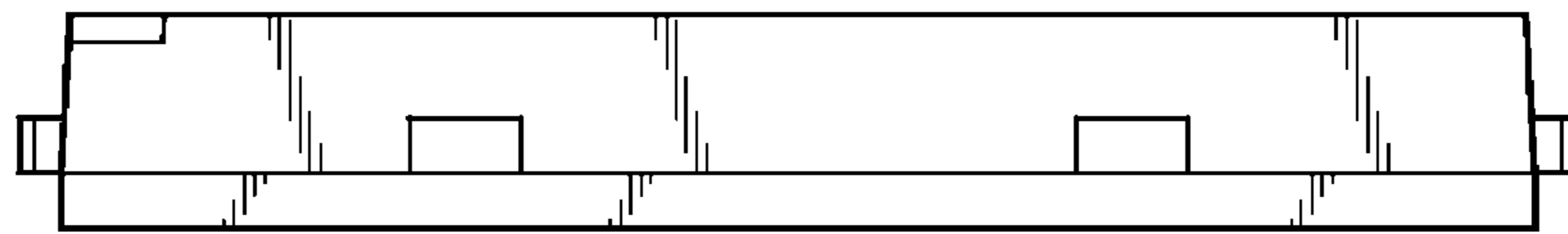


FIG. 4

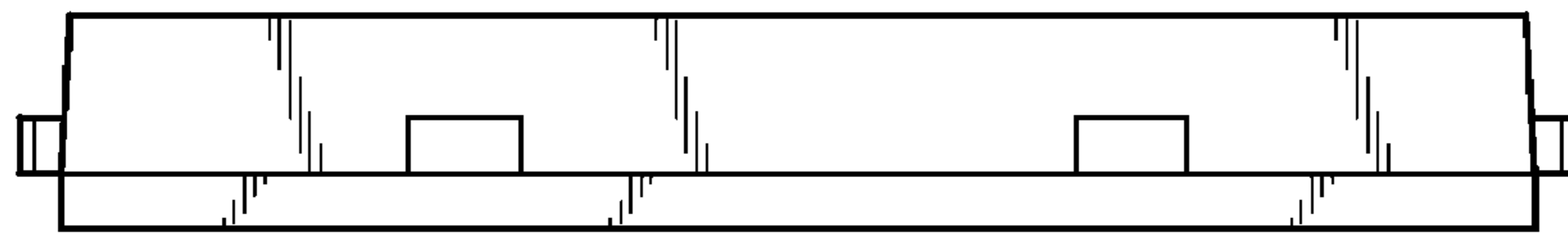


FIG. 5

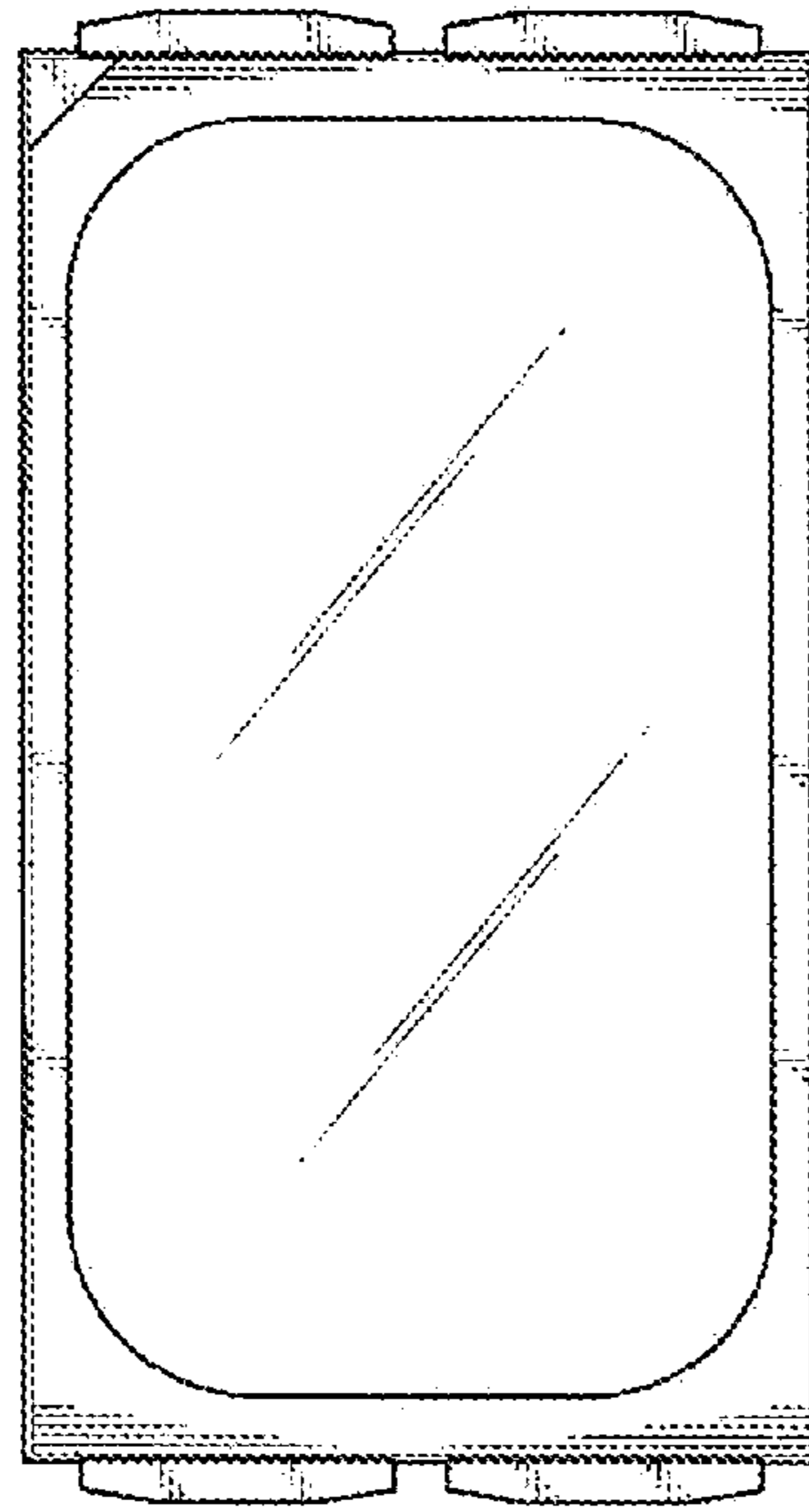


FIG. 6

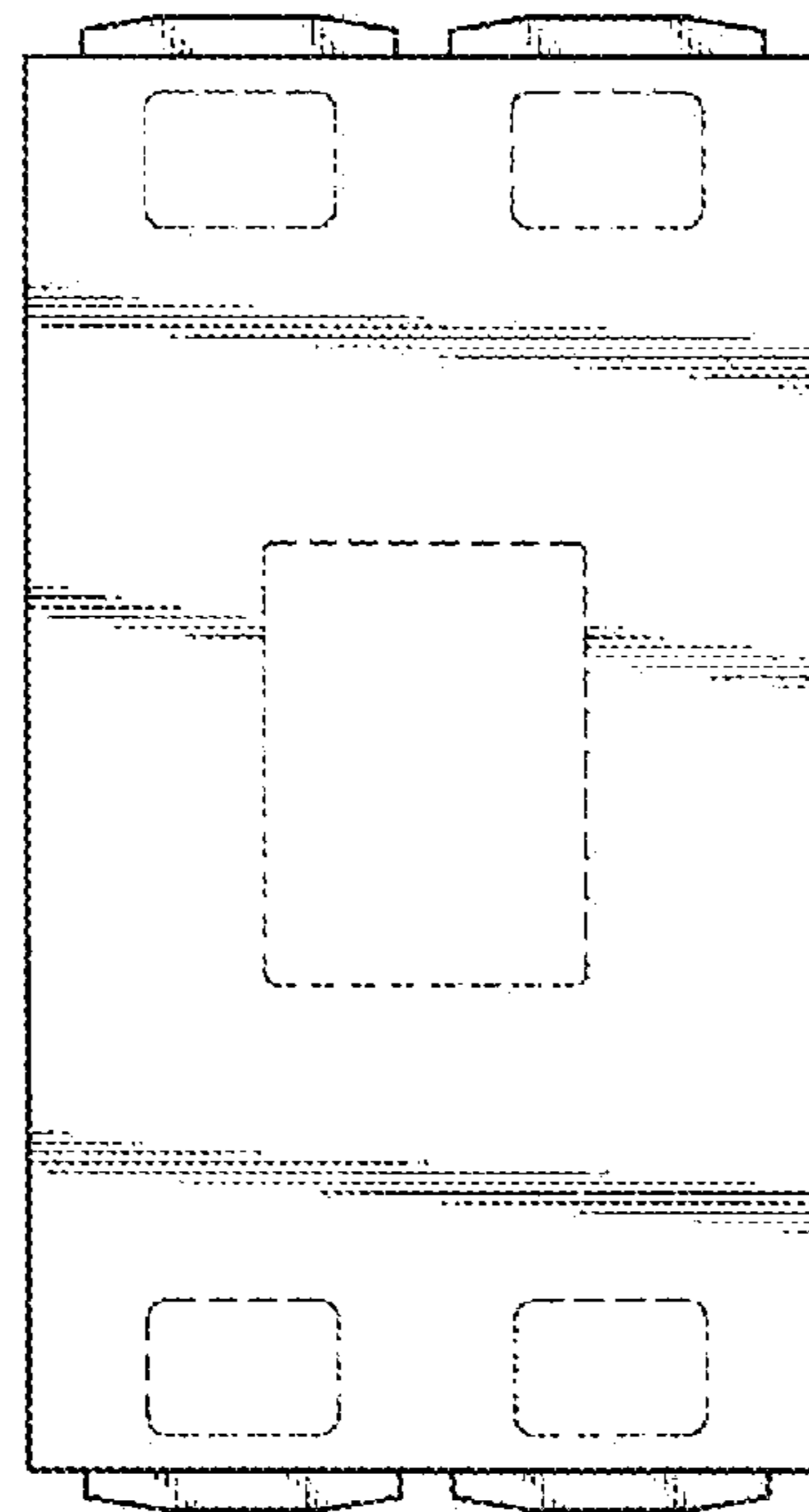


FIG. 7