



US00D632265S

(12) **United States Design Patent**  
**Choi et al.**

(10) **Patent No.:** **US D632,265 S**

(45) **Date of Patent:** **\*\* Feb. 8, 2011**

(54) **REMOTE CONTROLLER FOR AIR  
CONDITIONER**

(75) Inventors: **Eun-Ha Choi**, Seoul (KR); **Ji-Hyeong  
Lee**, Seoul (KR); **Jeong-Min Kim**,  
Seoul (KR)

(73) Assignee: **Samsung Electronics Co., Ltd.**, Suwon,  
Kyunggi-do (KR)

(\*\*) Term: **14 Years**

(21) Appl. No.: **29/370,206**

(22) Filed: **Jun. 16, 2010**

(51) **LOC (9) Cl.** ..... **14-03**

(52) **U.S. Cl.** ..... **D13/168**

(58) **Field of Classification Search** ..... D13/168;  
D10/49, 104, 106; D14/218, 247, 400; D21/333;  
341/176; 455/352; 345/156, 169; 348/734;  
463/39; 700/17, 65, 83; 236/51; 62/202;  
340/825.22, 825.24, 825.25, 825.31, 825.36,  
340/825.69, 825.72

See application file for complete search history.

(56) **References Cited**

**U.S. PATENT DOCUMENTS**

5,590,831	A *	1/1997	Manson et al.	.....	236/51
D409,201	S	5/1999	Barraza et al.		
D496,004	S *	9/2004	Borsboom	.....	D13/168
D497,882	S *	11/2004	Huang	.....	D13/168
D515,041	S	2/2006	Yun et al.		
D521,459	S	5/2006	Yun et al.		
D525,212	S	7/2006	Kim		
D526,973	S *	8/2006	Gates et al.	.....	D13/184
D531,993	S	11/2006	Choi et al.		
D532,779	S	11/2006	Kim et al.		
D546,320	S	7/2007	Choi		
D551,632	S	9/2007	Kim		
D555,107	S	11/2007	Choi et al.		
D559,201	S	1/2008	Oh et al.		
D559,202	S	1/2008	Sim et al.		

D564,977	S	3/2008	Youn et al.		
D577,713	S	9/2008	Kim et al.		
D583,363	S	12/2008	Song et al.		
D597,082	S	7/2009	Bang et al.		
D601,564	S *	10/2009	Maeno	.....	D14/400
D602,915	S	10/2009	Song et al.		
D602,916	S	10/2009	Won et al.		
D609,221	S	2/2010	Kim et al.		
D609,222	S	2/2010	Shin		
D618,666	S	6/2010	Shin		
2002/0124584	A1 *	9/2002	Sumida et al.	.....	62/202
2003/0122698	A1 *	7/2003	Horie et al.	.....	341/176
2005/0205393	A1 *	9/2005	Bricaud et al.	.....	200/5 R
2009/0259341	A1 *	10/2009	Kuhne et al.	.....	700/276

**OTHER PUBLICATIONS**

U.S. Appl. No. 29/370,204, Applicant: Eun-Ha Choi, et al., entitled Remote Controller for Air Conditioner.

U.S. Appl. No. 29/349,413, Applicant: Kyoung-Hoon Kim, et al., entitled Remote Controller for Television Receiver.

\* cited by examiner

*Primary Examiner*—Selina Sikder

(74) *Attorney, Agent, or Firm*—Flynn, Thiel, Boutell & Tanis, P.C.

(57) **CLAIM**

The ornamental design for a remote controller for air conditioner, as shown and described.

**DESCRIPTION**

FIG. 1 is a top front perspective view of a remote controller for air conditioner showing our new design;

FIG. 2 is a front elevational view thereof;

FIG. 3 is a rear elevational view thereof;

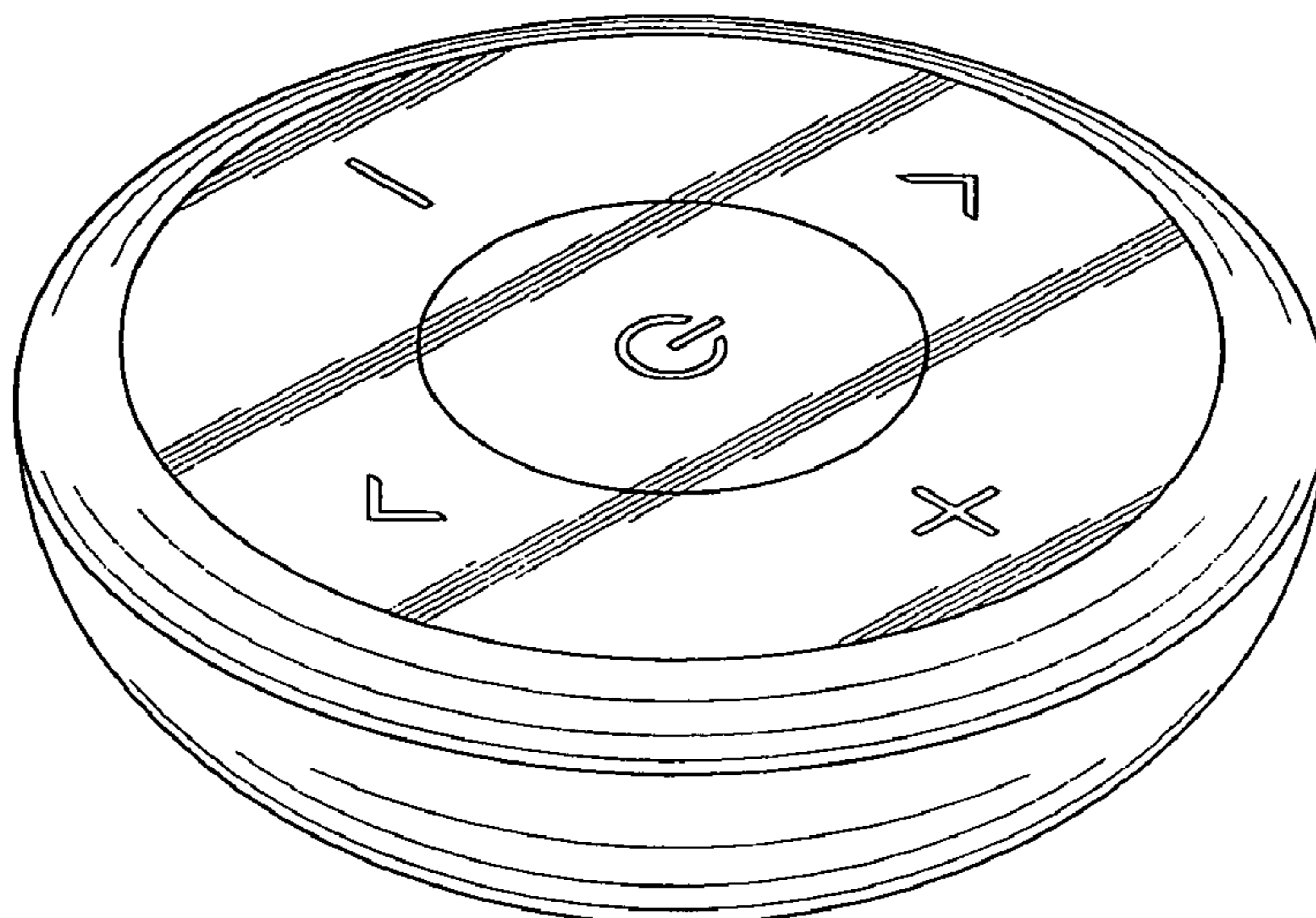
FIG. 4 is a left side elevational view thereof;

FIG. 5 is a right side elevational view thereof;

FIG. 6 is a top plan view thereof; and,

FIG. 7 is a bottom plan view thereof.

**1 Claim, 4 Drawing Sheets**



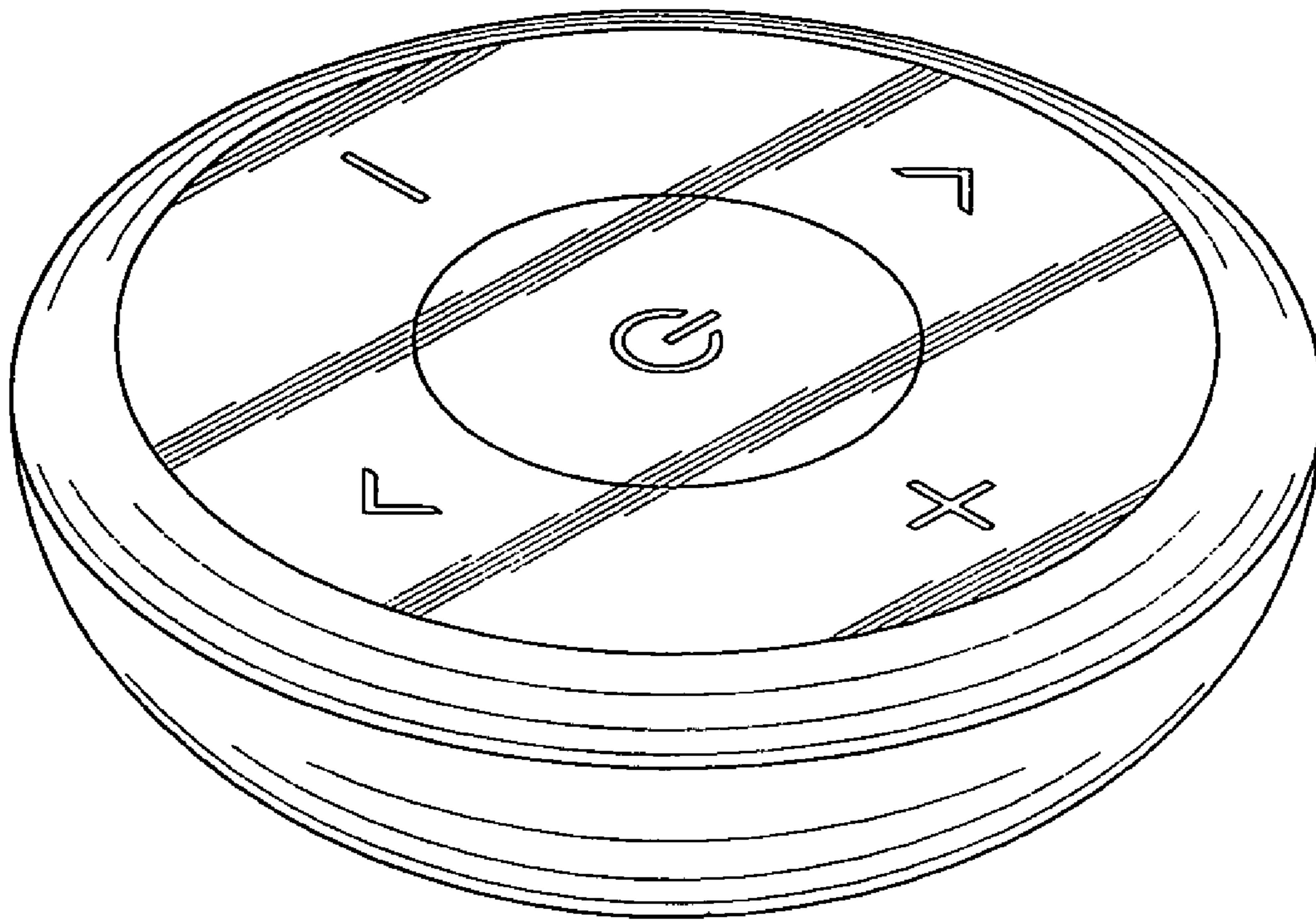


FIG. 1

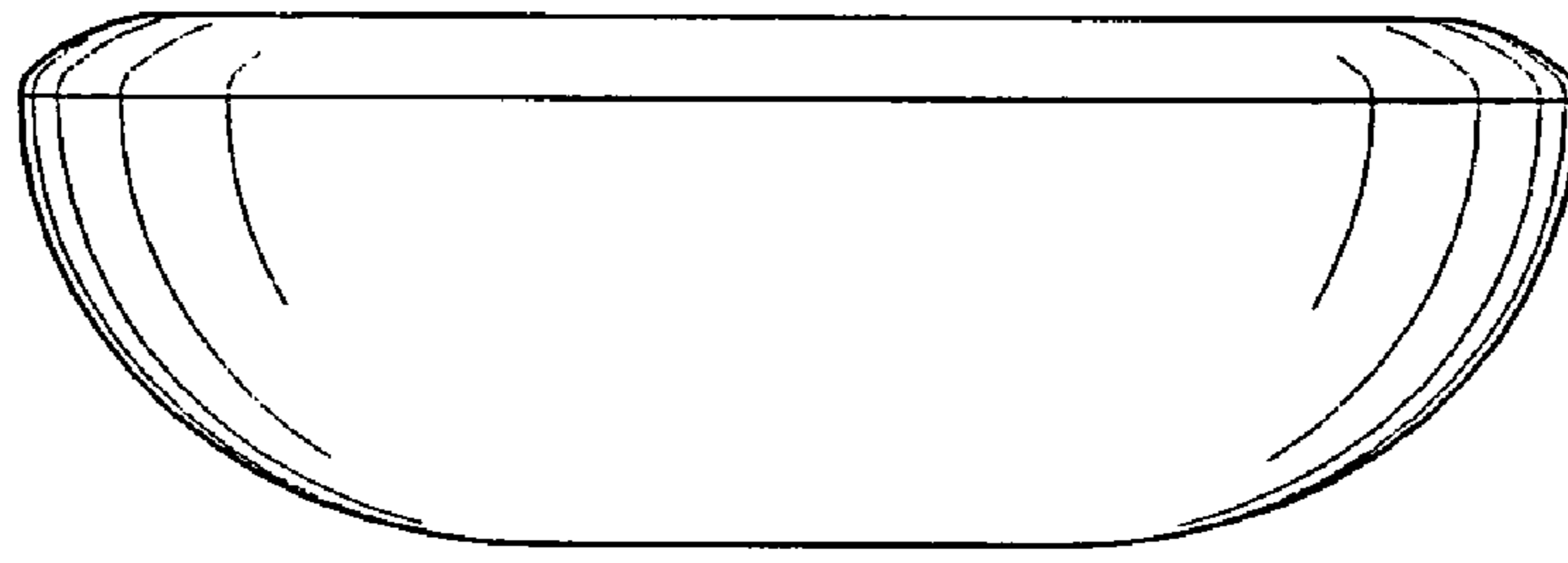


FIG. 2

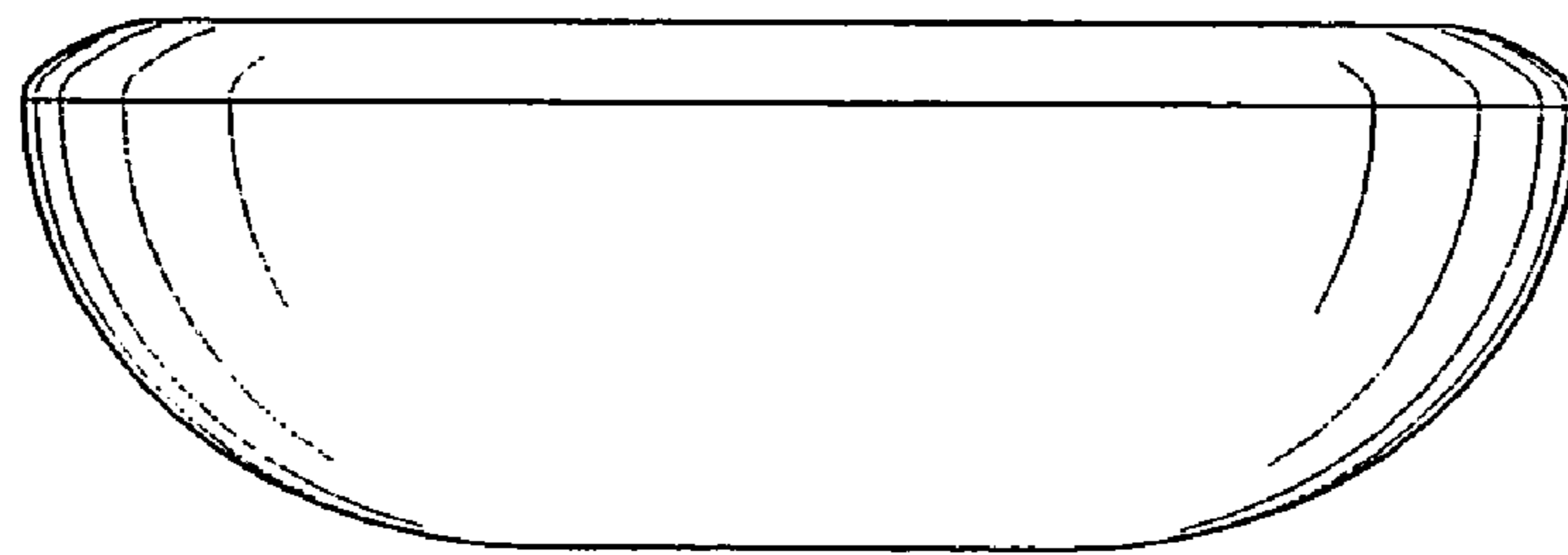


FIG. 3

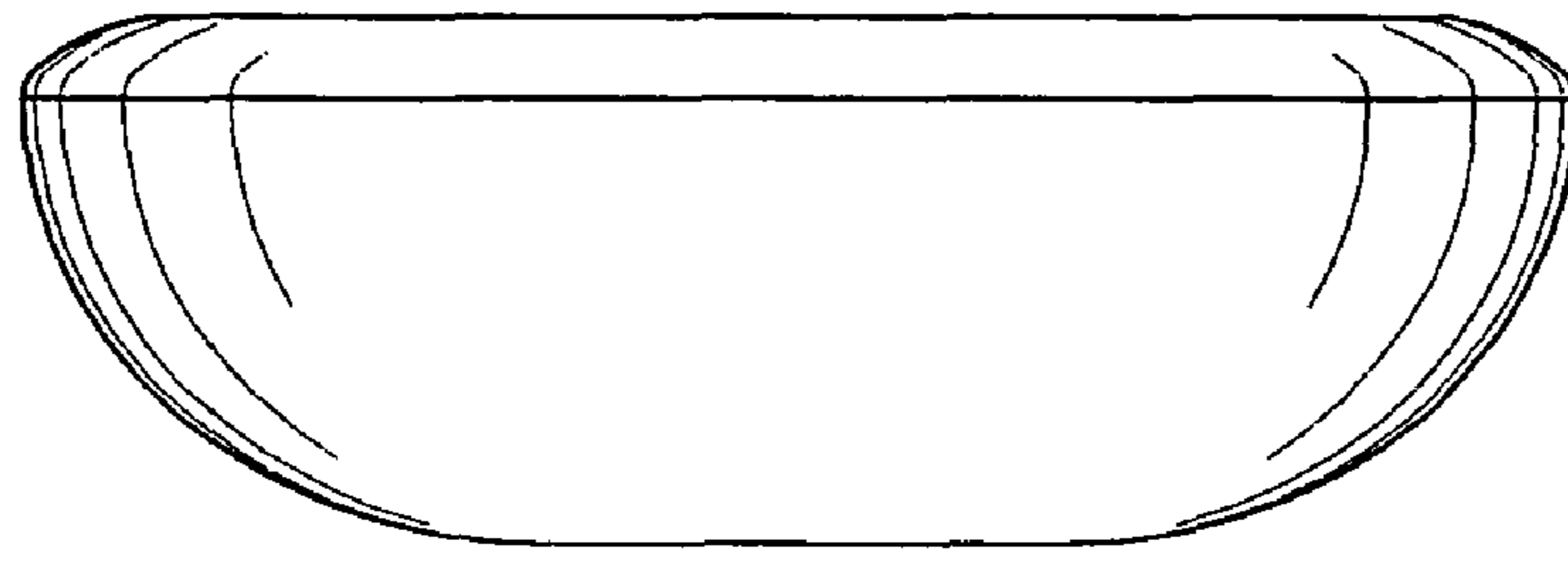


FIG. 4

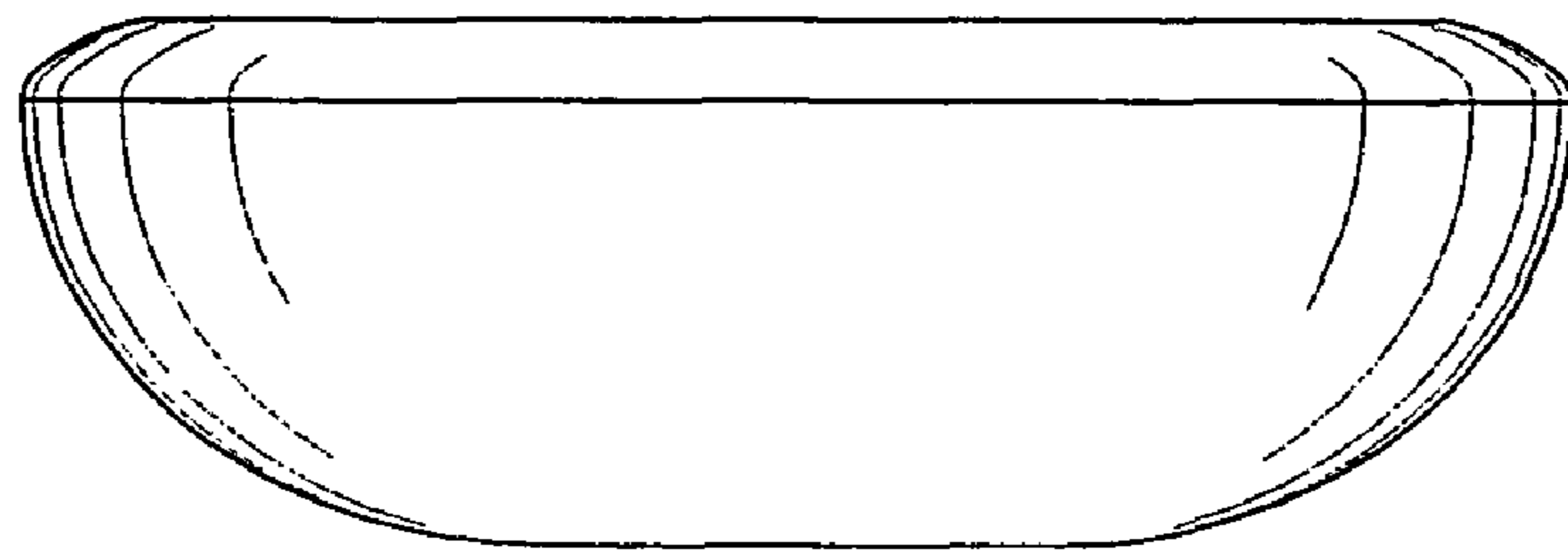


FIG. 5

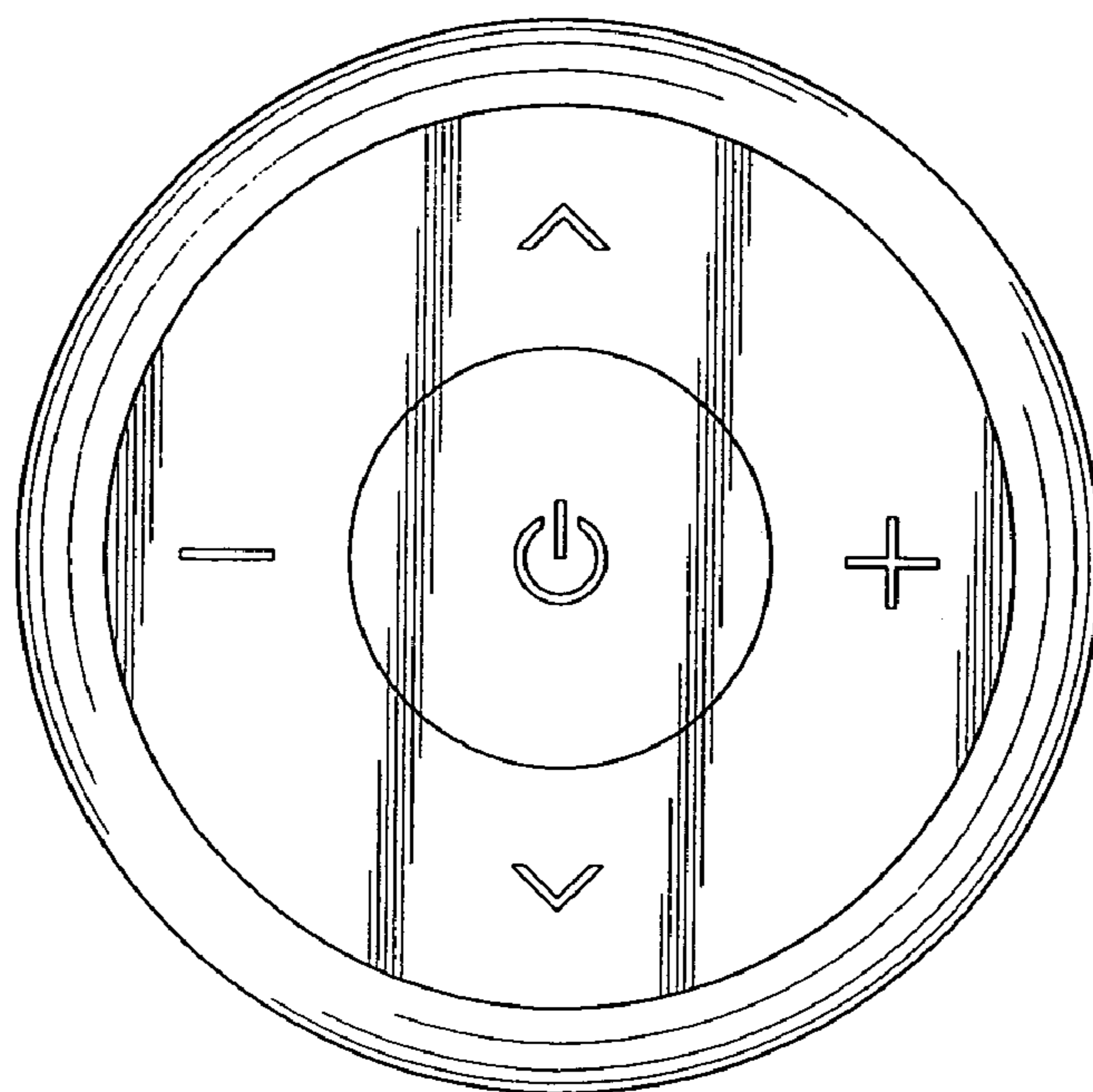


FIG. 6

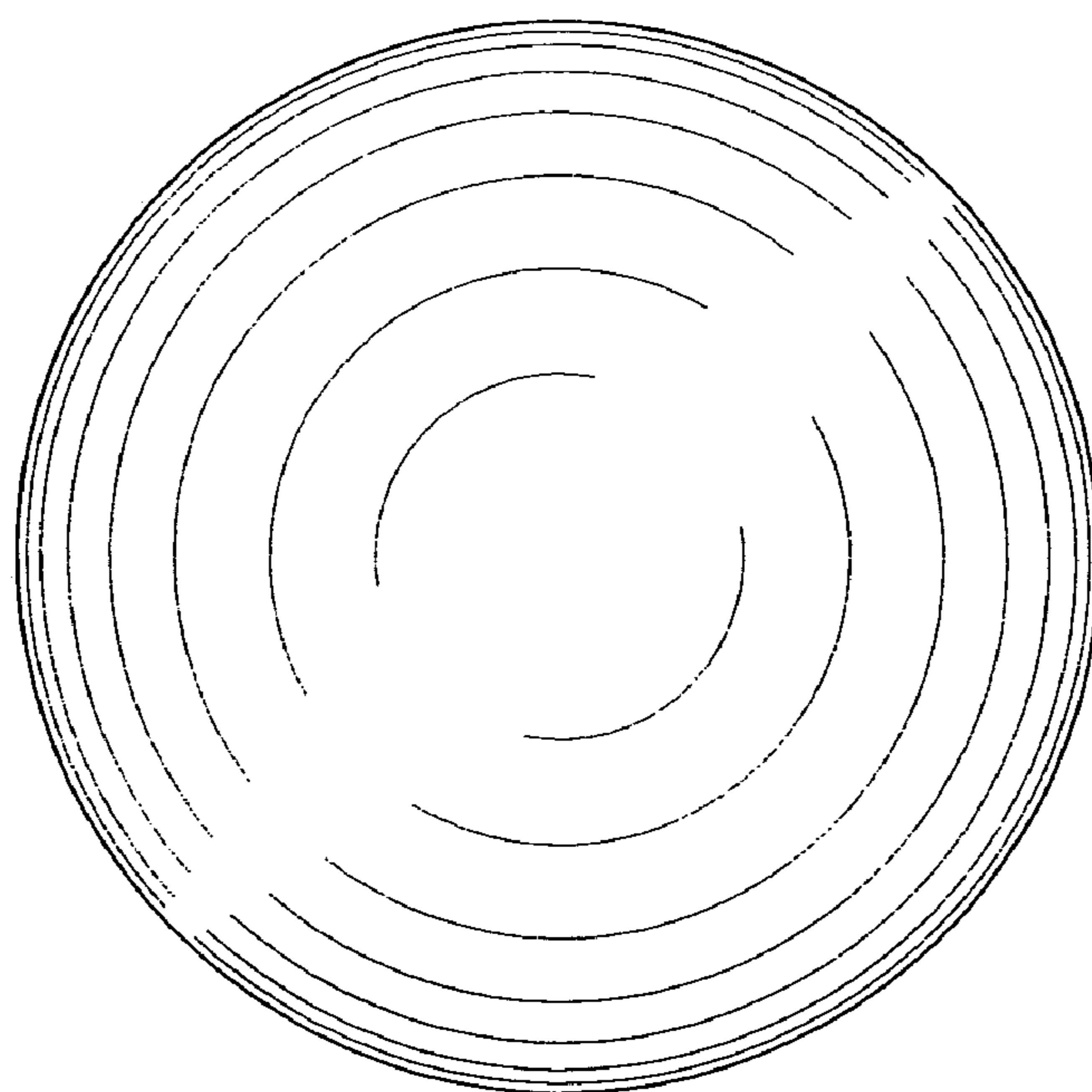


FIG. 7