



US00D632263S

(12) **United States Design Patent**
Lin et al.

(10) **Patent No.:** **US D632,263 S**
(45) **Date of Patent:** **** Feb. 8, 2011**

(54) **REMOTE CONTROL FOR A CEILING FAN**

(75) Inventors: **Ming-Hui Lin**, Zhongshan (CN);
Michael D. R. Miller, Fort Worth, TX
(US)

(73) Assignee: **Litex Industries, Limited**, Grand
Prairie, TX (US)

(**) Term: **14 Years**

(21) Appl. No.: **29/362,349**

(22) Filed: **May 24, 2010**

(51) **LOC (9) Cl.** **14-03**

(52) **U.S. Cl.** **D13/168**

(58) **Field of Classification Search** D13/168;
D10/104, 106; D14/218; 340/825.22, 825.24,
340/825.25, 825.31, 825.36, 825.69, 825.72;
341/176; 455/352; 345/156, 169; 348/734;
463/39; 700/17, 65, 83; 236/51; 62/202
See application file for complete search history.

(56) **References Cited**

U.S. PATENT DOCUMENTS

5,189,412	A *	2/1993	Mehta et al.	340/825.22
D348,435	S *	7/1994	Farinelli et al.	D13/168
D376,114	S *	12/1996	Seki et al.	D10/104
D377,458	S *	1/1997	Tsui	D10/104
D405,424	S *	2/1999	Winkler et al.	D13/168
6,015,274	A *	1/2000	Bias et al.	417/423.1
6,120,262	A *	9/2000	McDonough et al.	417/424.1

6,675,300	B1 *	1/2004	Jung et al.	726/17
D511,750	S *	11/2005	Badarello	D13/168
D513,233	S *	12/2005	Stauffer	D13/168
D514,525	S *	2/2006	Stauffer	D13/168
D541,227	S *	4/2007	Lamb	D13/168
D547,275	S *	7/2007	Bonnaud	D13/168

* cited by examiner

Primary Examiner—Selina Sikder
(74) *Attorney, Agent, or Firm*—Mark W Handley

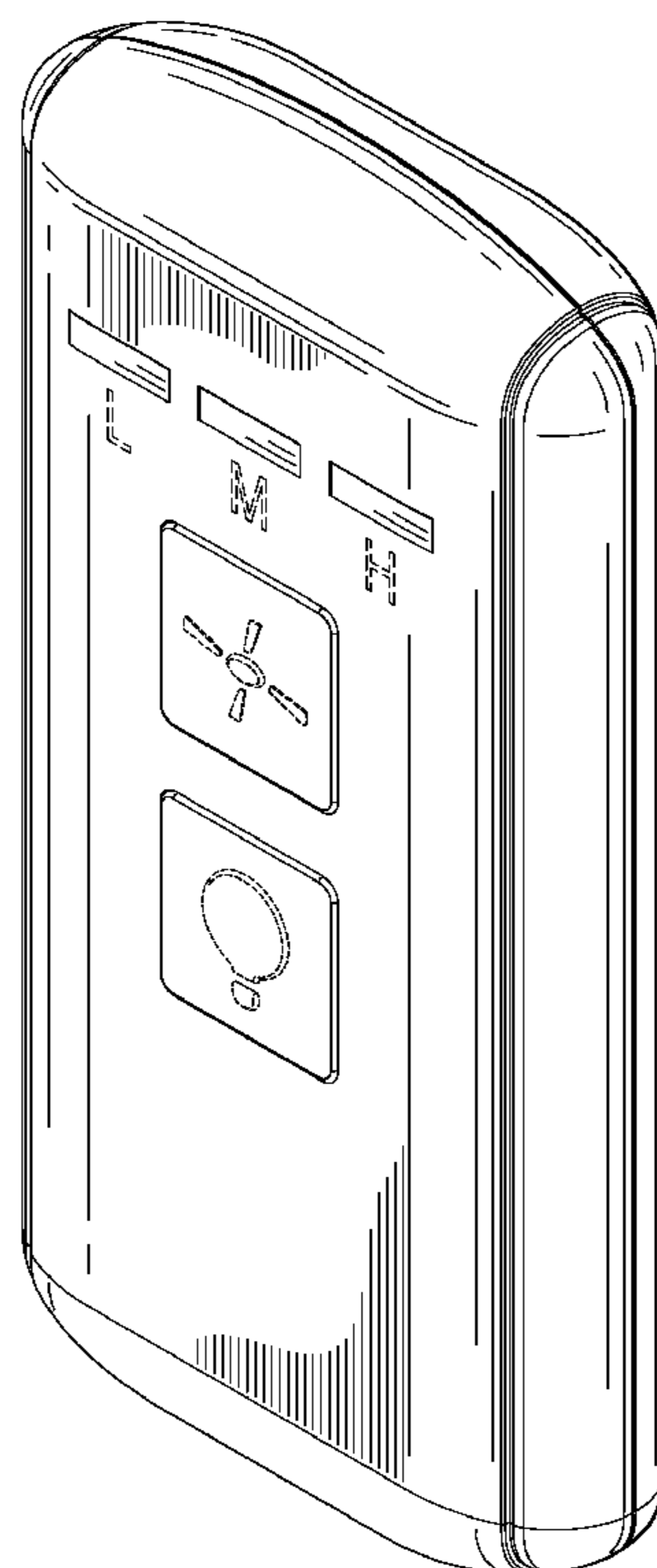
(57) **CLAIM**

The ornamental design for an remote control for a ceiling fan, as shown and described.

DESCRIPTION

FIG. 1 a perspective view of a remote control for a ceiling fan embodying my design;
FIG. 2 is a front view of the remote control for a ceiling fan;
FIG. 3 is a rear view of the remote control for a ceiling fan;
FIG. 4 is a right side view of the remote control for a ceiling fan;
FIG. 5 is a left side view of the remote control for a ceiling fan;
FIG. 6 is a top view of the remote control for a ceiling fan; and,
FIG. 7 is a bottom view of the remote control for a ceiling fan.
The broken lines are shown for illustrative purposes only and form no part of the claimed design.

1 Claim, 5 Drawing Sheets



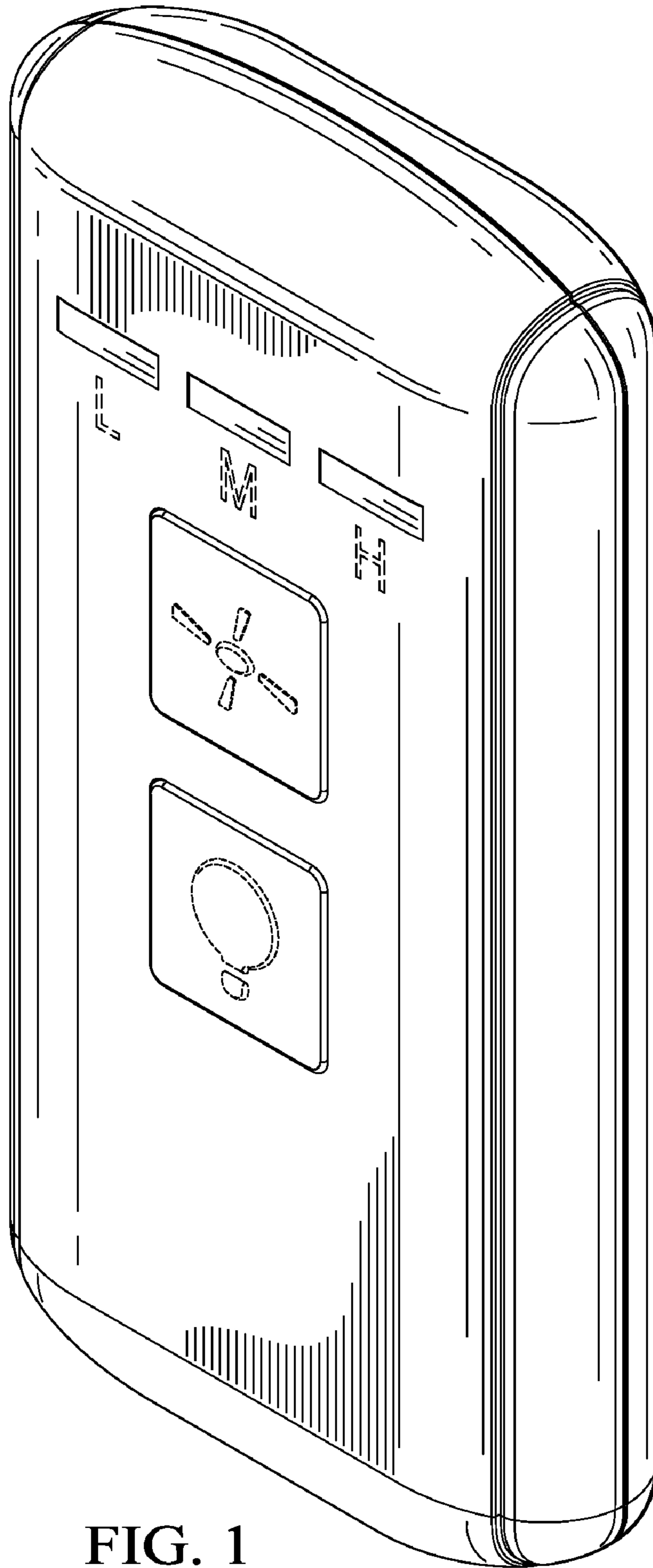


FIG. 1

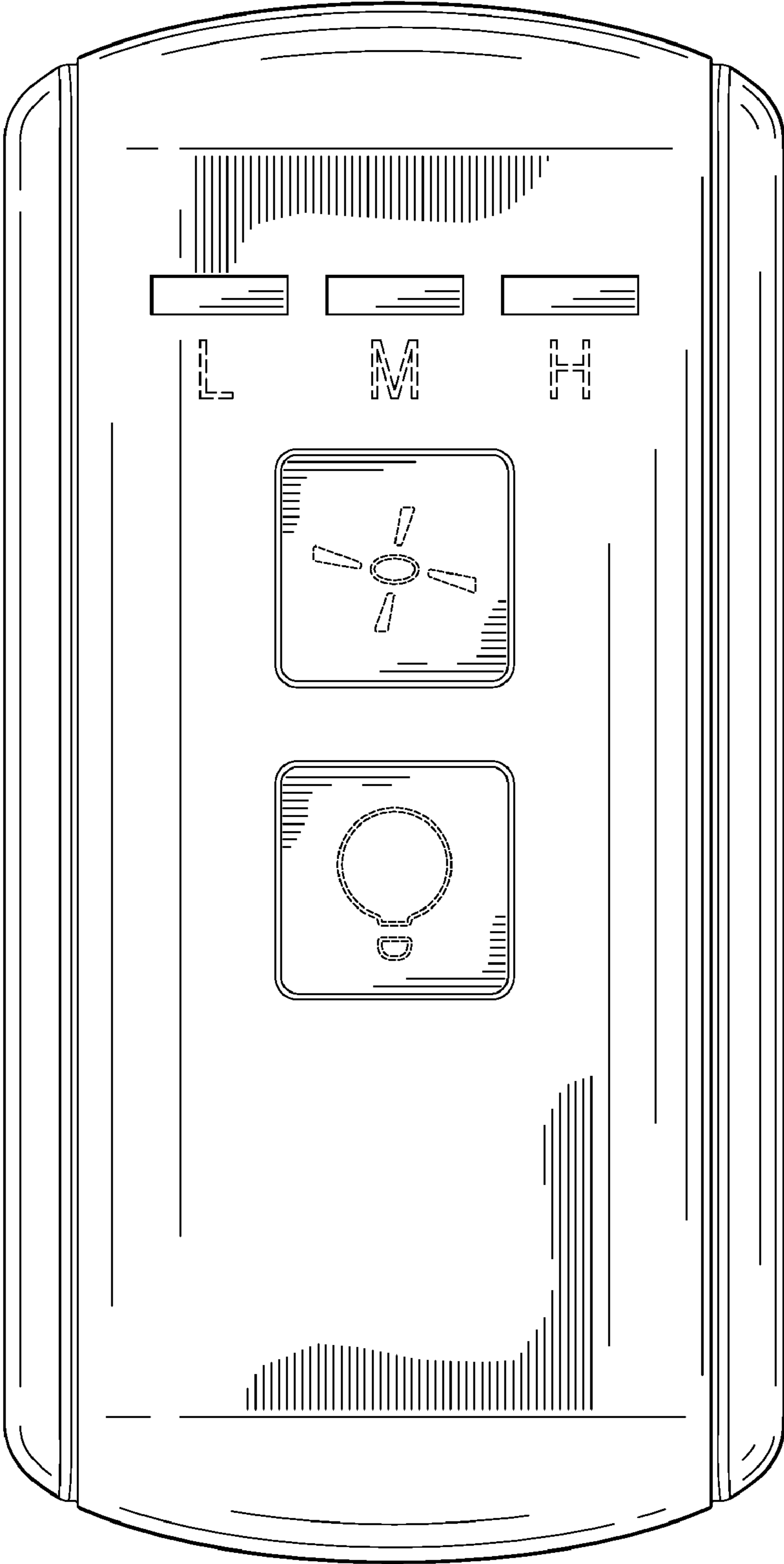


FIG. 2

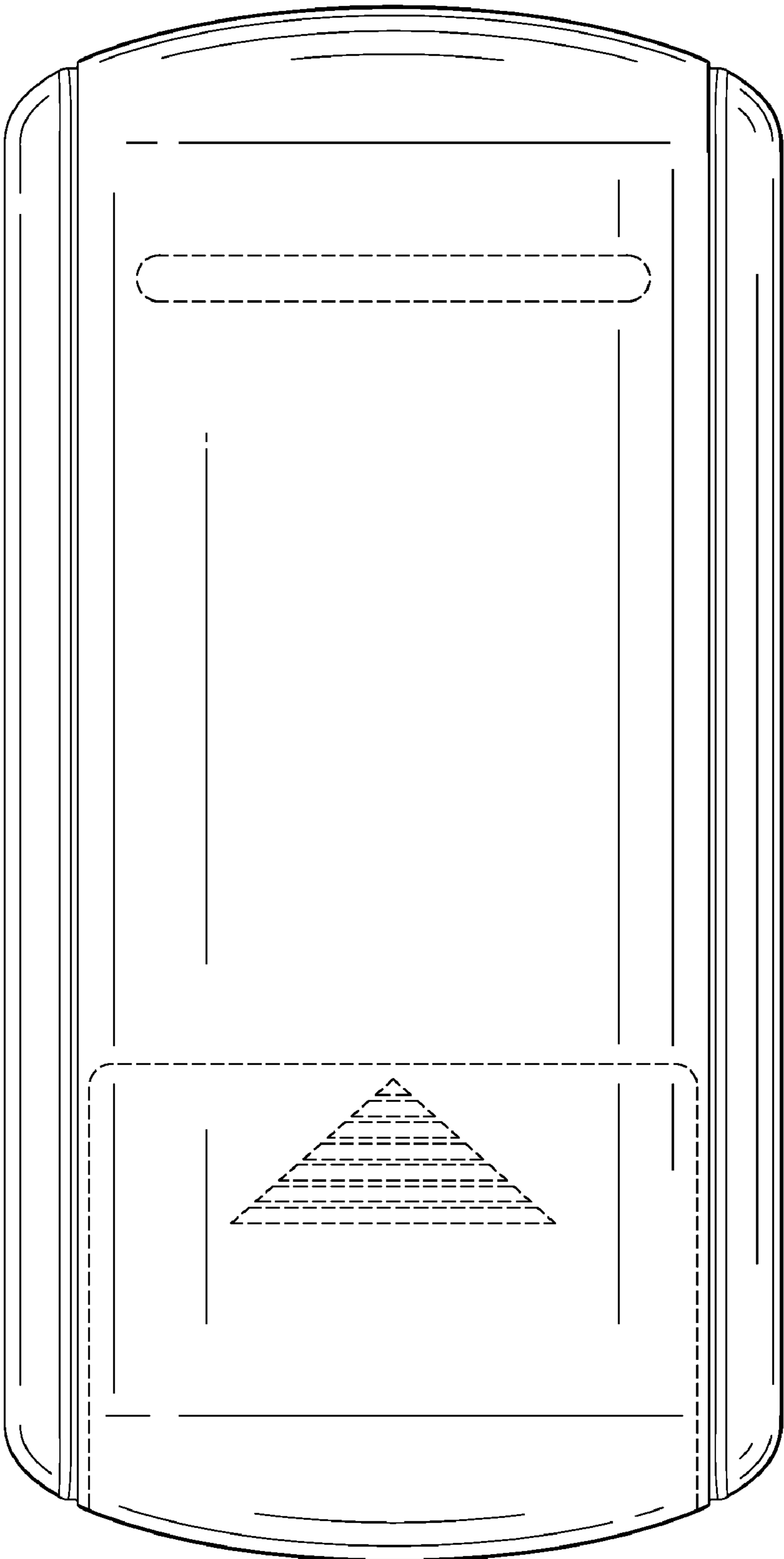


FIG. 3

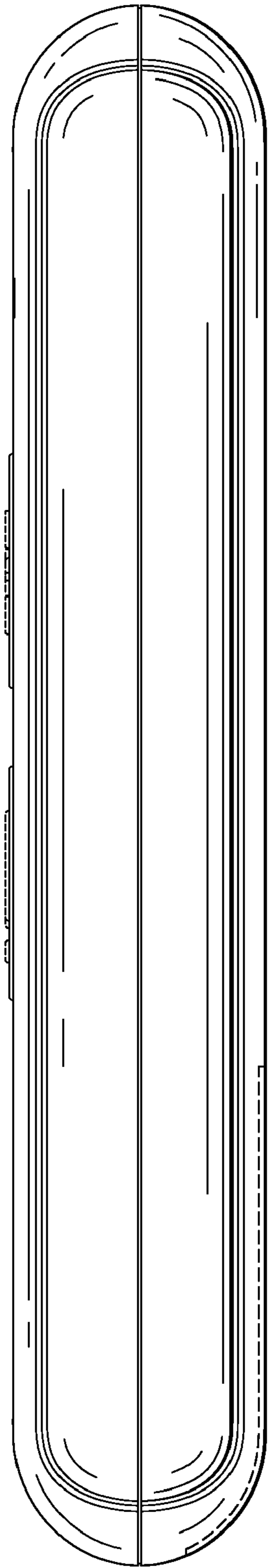


FIG. 4

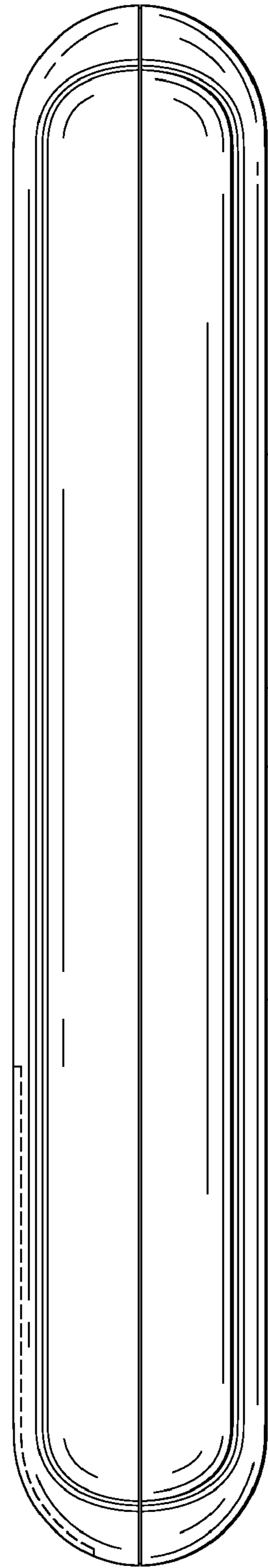


FIG. 5



FIG. 6

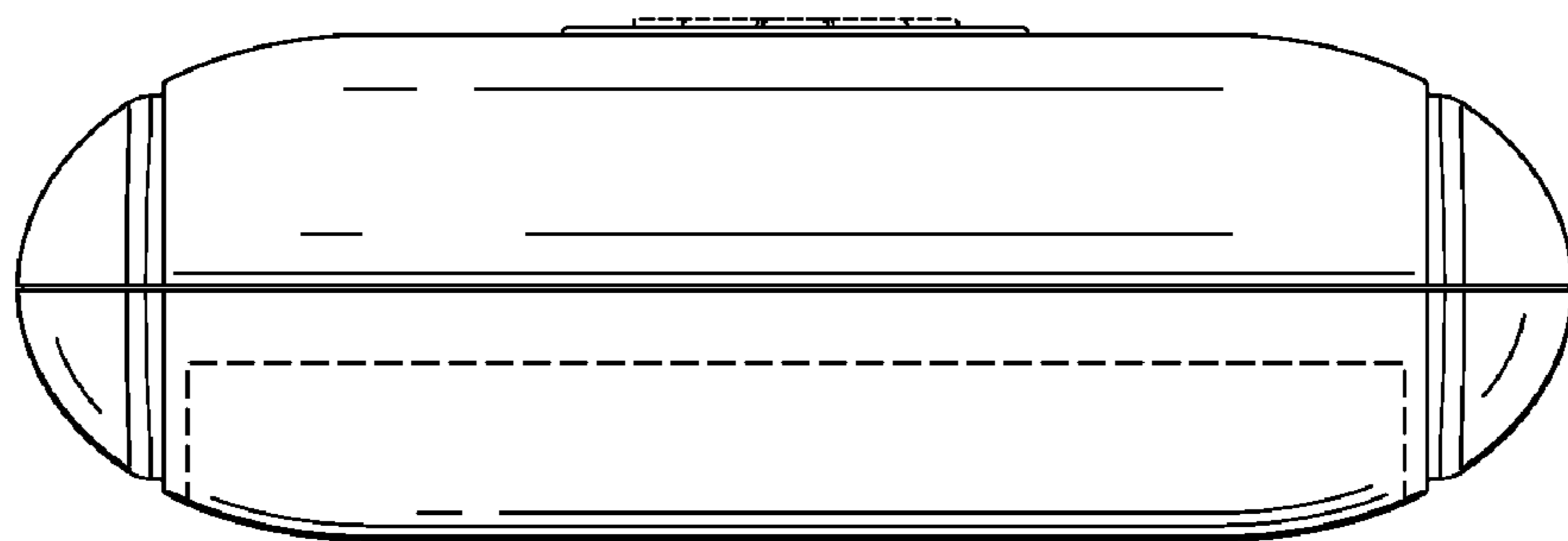


FIG. 7