



US00D632260S

(12) **United States Design Patent**  
**Smith**

(10) **Patent No.:** **US D632,260 S**

(45) **Date of Patent:** **\*\* Feb. 8, 2011**

(54) **ELECTRICAL BOX CLIP**

(75) Inventor: **Lawrence J. Smith**, Stamford, CT (US)

(73) Assignee: **Bridgeport Fittings, Inc.**, Stratford, CT (US)

(\*\*) Term: **14 Years**

(21) Appl. No.: **29/315,913**

(22) Filed: **Aug. 5, 2009**

(51) **LOC (9) Cl.** ..... **13-03**

(52) **U.S. Cl.** ..... **D13/154**

(58) **Field of Classification Search** ..... D13/154,  
D13/184; 439/395-400, 845, 849-852, 861-862,  
439/884-885, 888-891

See application file for complete search history.

(56) **References Cited**

**U.S. PATENT DOCUMENTS**

4,553,799	A *	11/1985	Deters	.....	439/507
4,588,240	A *	5/1986	Ruehl et al.	.....	439/513
4,889,006	A *	12/1989	Kolinske et al.	.....	74/502.4
D516,521	S *	3/2006	Yao et al.	.....	D13/154
D582,348	S *	12/2008	Shiu	.....	D13/154

D601,970	S *	10/2009	Peng et al.	.....	D13/154
D614,583	S *	4/2010	Wang	.....	D13/154
2008/0217054	A1	9/2008	Walton	.....	174/545

\* cited by examiner

*Primary Examiner*—Daniel D Bui

(74) *Attorney, Agent, or Firm*—Fattibene and Fattibene, LL;  
Paul A. Fattibene

(57) **CLAIM**

The ornamental design for an electrical box clip, as shown and described.

**DESCRIPTION**

FIG. 1 is a perspective view of an electrical box clip showing my new design;

FIG. 2 is a right side elevation view thereof, with the left side being a minor image;

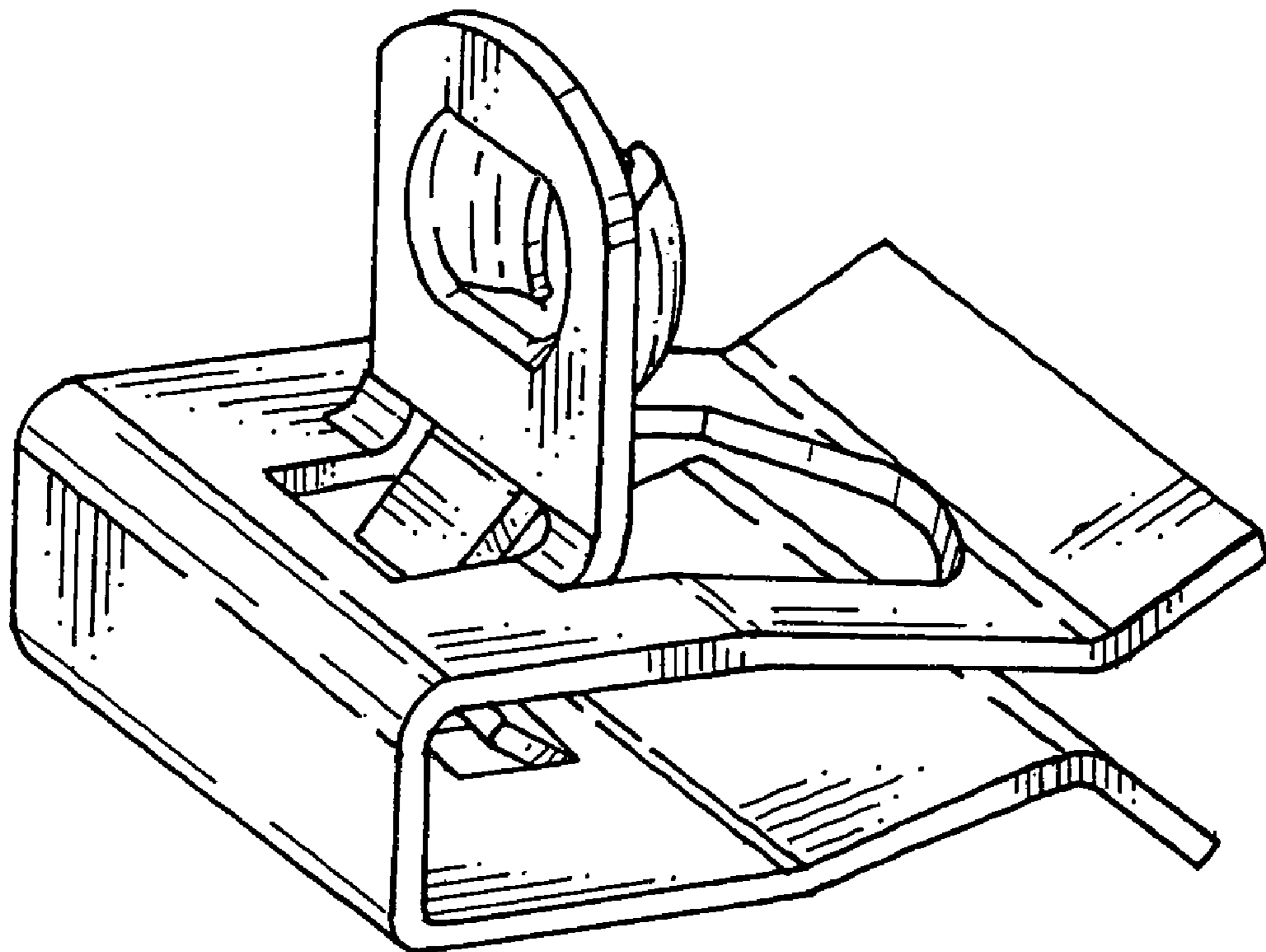
FIG. 3 is a front elevation view thereof;

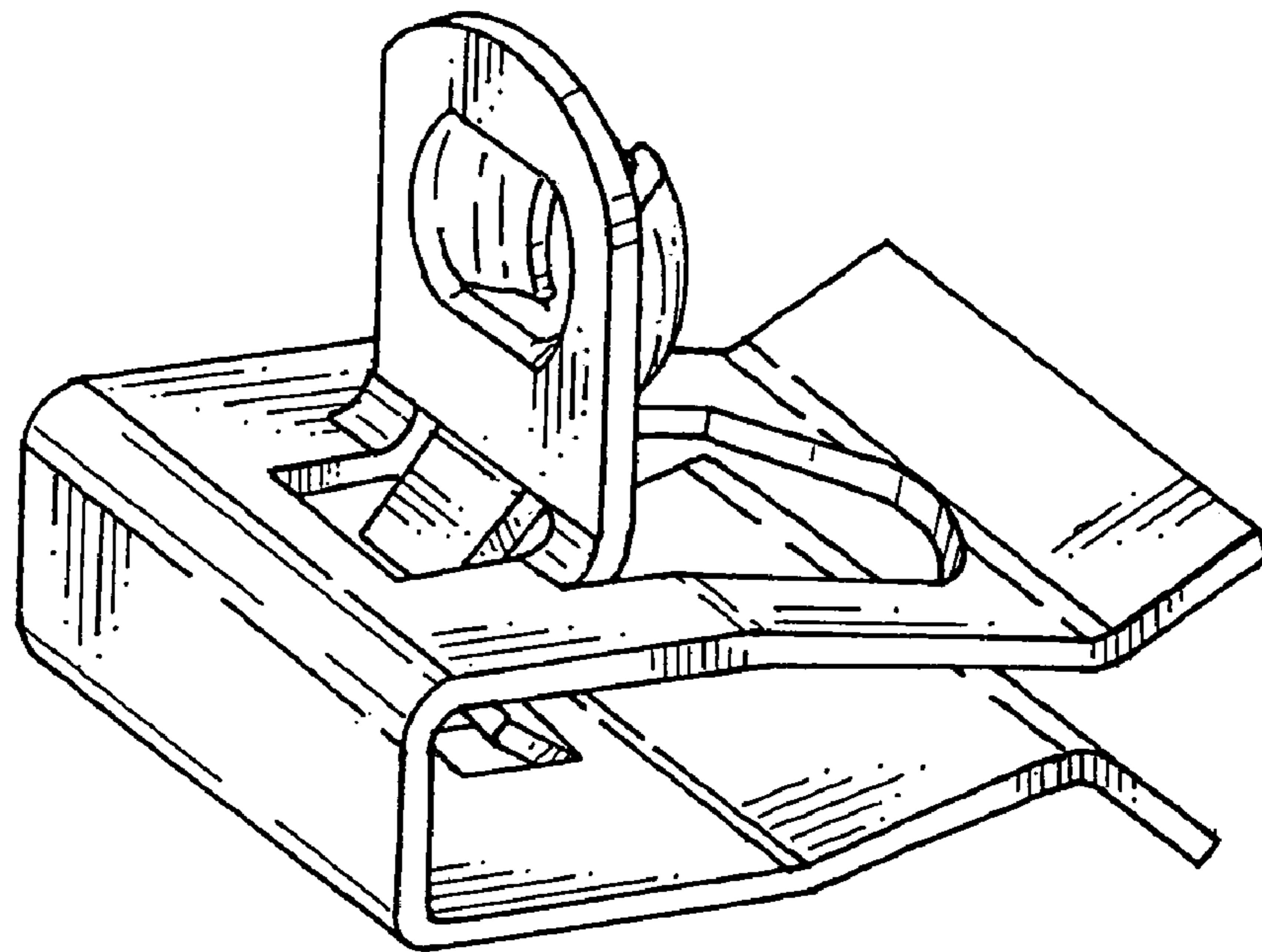
FIG. 4 is a rear elevation view thereof;

FIG. 5 is a bottom plan view thereof; and,

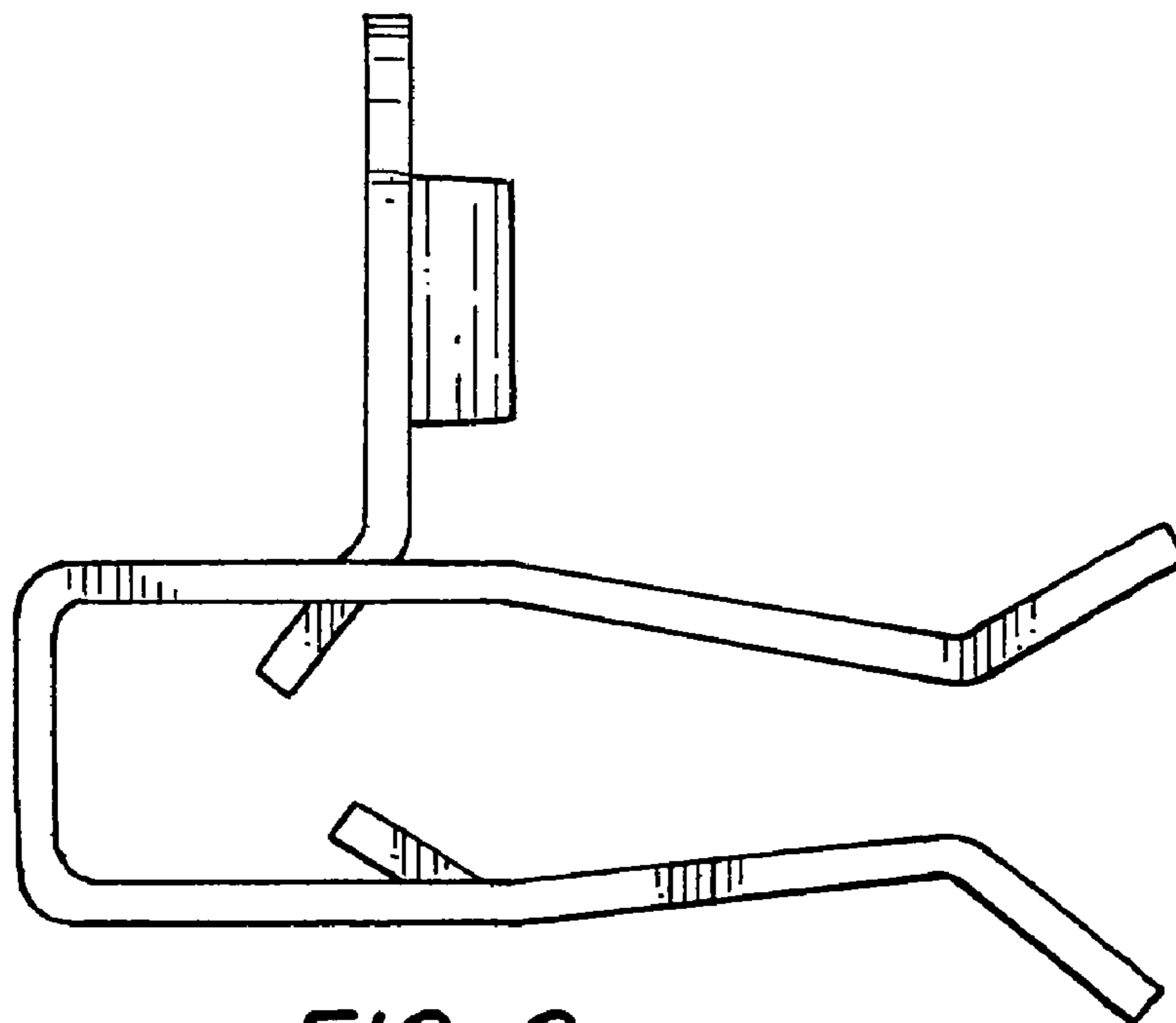
FIG. 6 is a top plan view thereof.

**1 Claim, 3 Drawing Sheets**

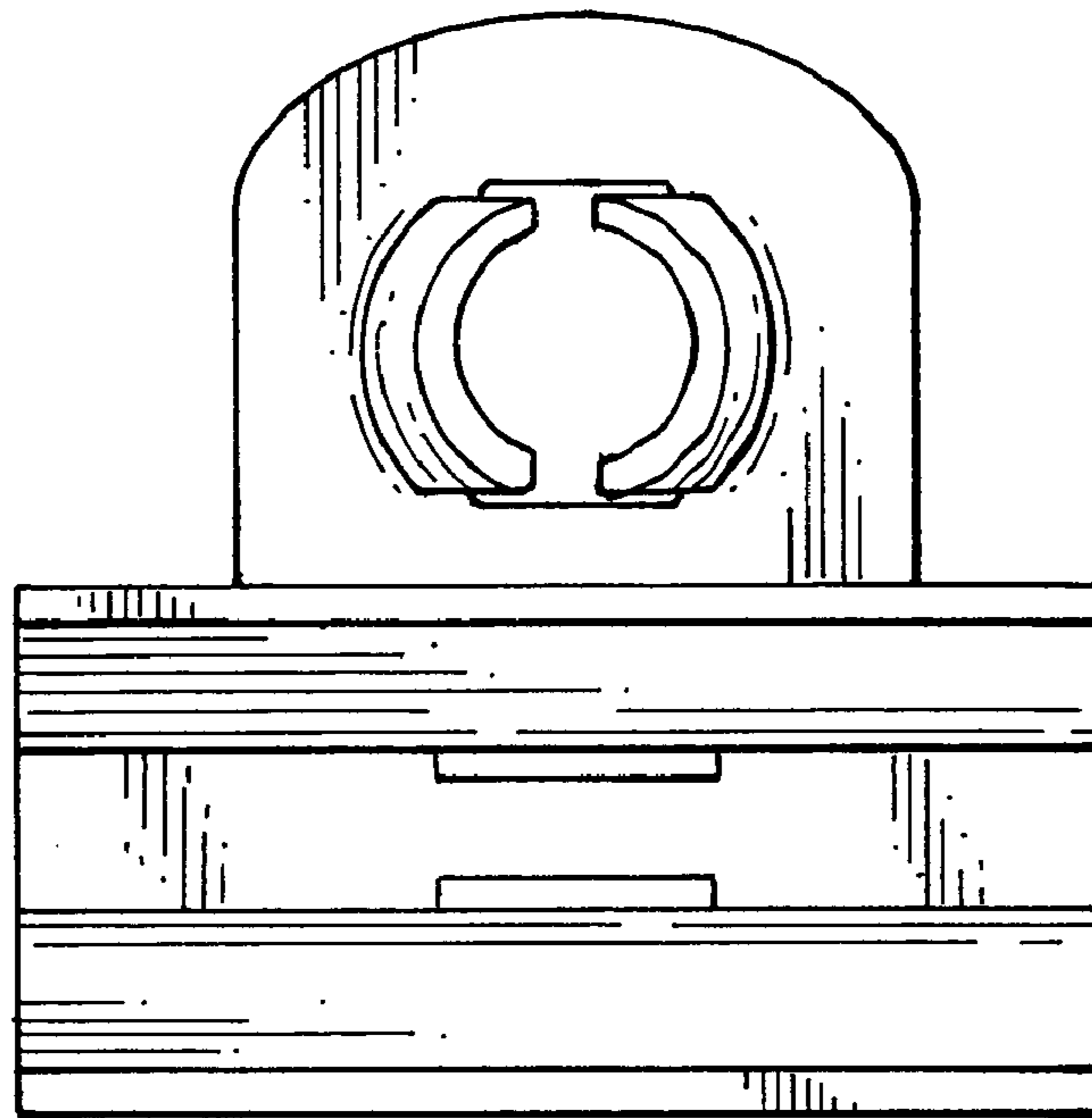




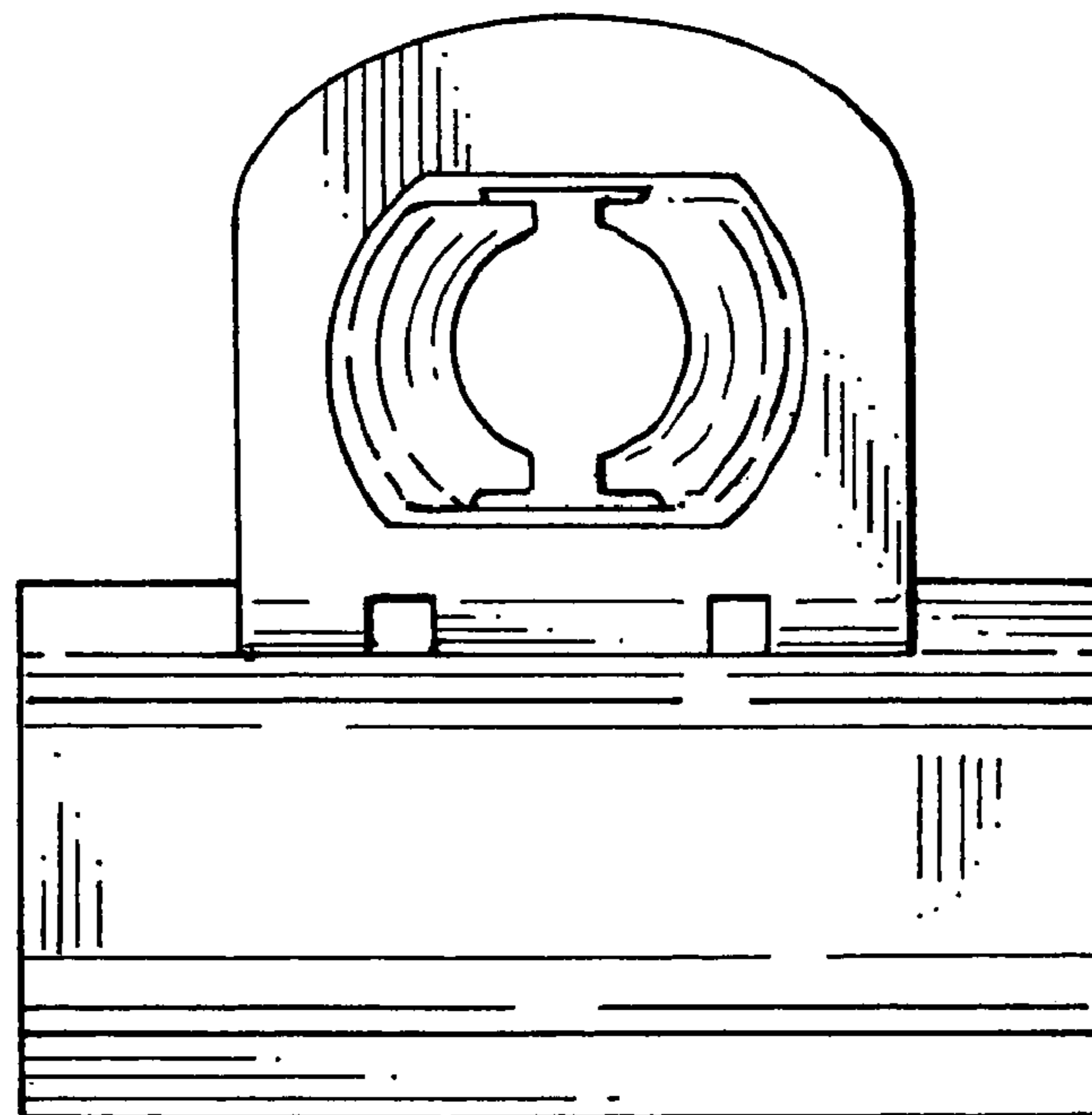
*FIG. 1*



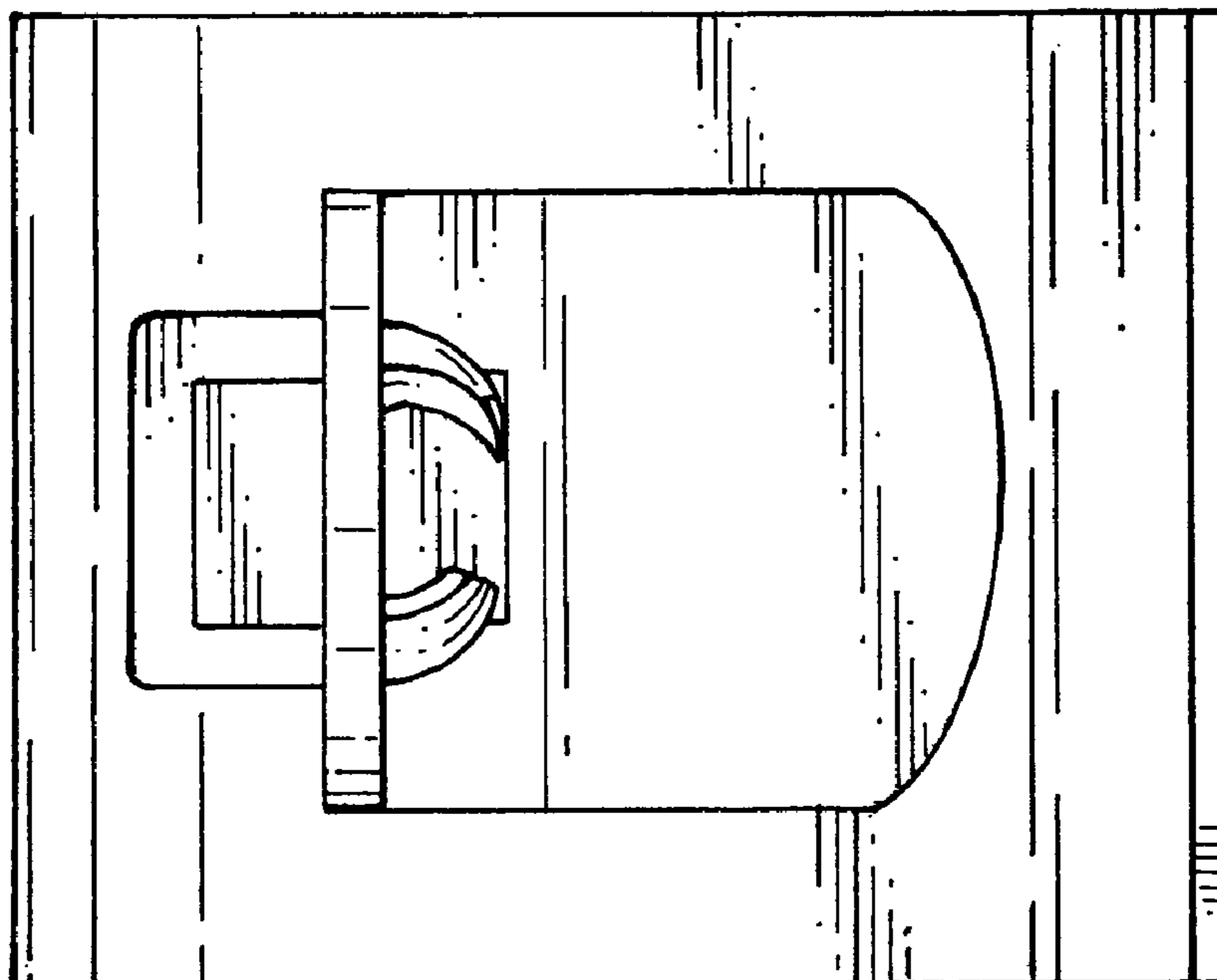
*FIG. 2*



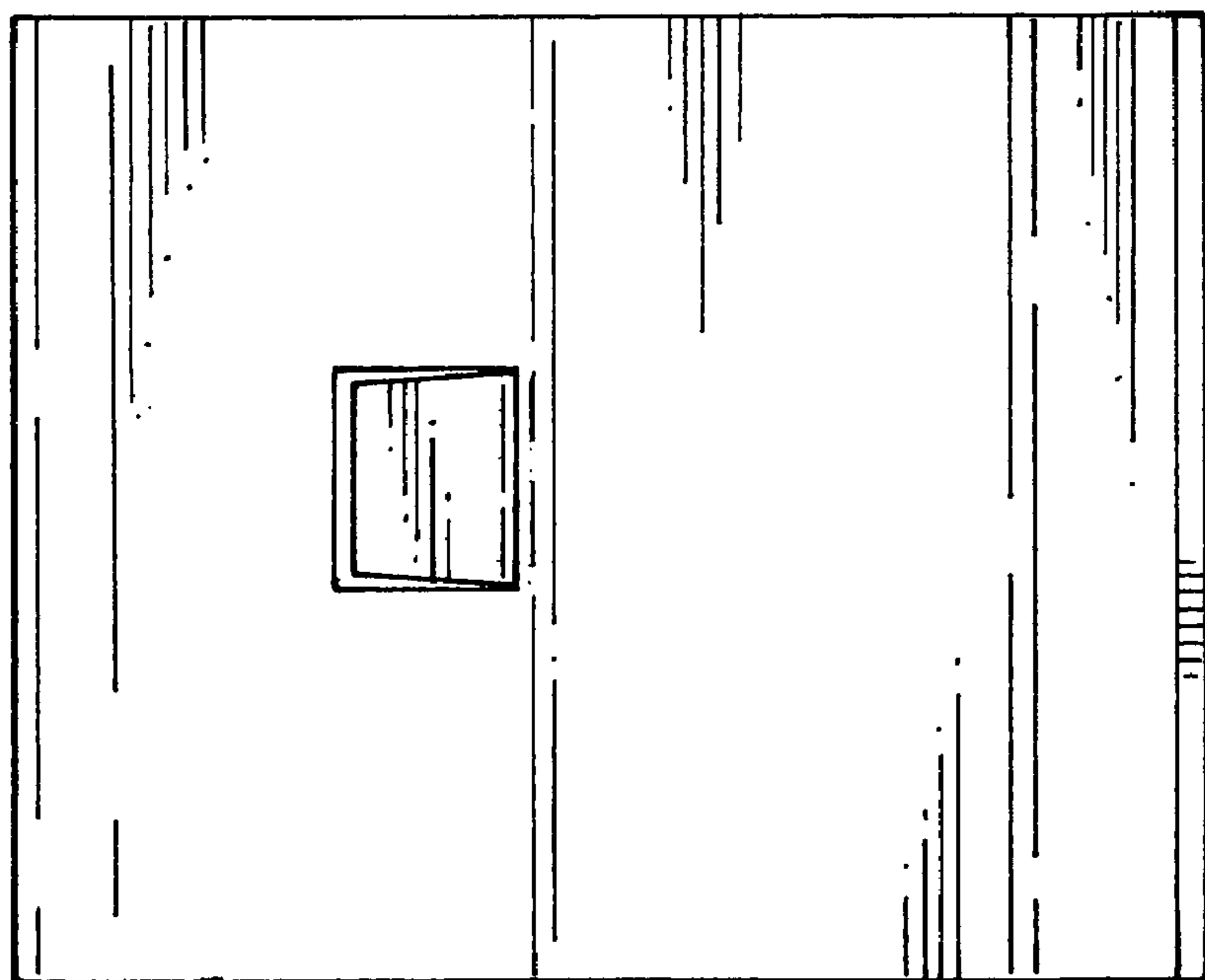
*FIG. 3*



*FIG. 4*



*FIG. 5*



*FIG. 6*