



US00D632256S

(12) **United States Design Patent**
Higuchi

(10) **Patent No.:** **US D632,256 S**

(45) **Date of Patent:** **** Feb. 8, 2011**

(54) **BODY OF AN ELECTRICAL JUNCTION BOX FOR AN AUTOMOBILE**

D591,699 S * 5/2009 Correll et al. D13/184
D599,310 S * 9/2009 Correll et al. D13/184
D620,439 S * 7/2010 Higuchi D13/126

(75) Inventor: **Eiji Higuchi**, Yokkaichi (JP)

FOREIGN PATENT DOCUMENTS

(73) Assignee: **Sumitomo Wiring Systems, Ltd.**,
Mie-ken (JP)

JP 956697 6/1996
JP 956705 6/1996
JP 2001-044655 2/2001
JP 1176984 6/2003

(**) Term: **14 Years**

* cited by examiner

(21) Appl. No.: **29/313,297**

Primary Examiner—Rosemary K Tarcza

(22) Filed: **Dec. 23, 2008**

(74) *Attorney, Agent, or Firm*—Patterson Thuent
Christensen Pedersen, P.A.

(30) **Foreign Application Priority Data**

Jul. 4, 2008 (JP) 2008-017358

(57) **CLAIM**

(51) **LOC (9) Cl.** **13-03**

The ornamental design for a body of an electrical junction box for an automobile, as shown and described.

(52) **U.S. Cl.** **D13/152**

(58) **Field of Classification Search** D13/139.4,
D13/152, 156, 184, 199; 174/50, 53–55,
174/58, 60, 66, 67; 220/3.2, 3.3, 3.6–3.9,
220/241, 242, 244, 315, 4.02; 248/906; 439/76.2,
439/135, 136, 138, 142, 166, 212, 213, 367,
439/373, 507, 535, 536, 537, 541, 892, 893,
439/620.27, 949

DESCRIPTION

FIG. 1 is a top front perspective view of a body of an electrical junction box for an automobile showing my new design;

See application file for complete search history.

FIG. 2 is a bottom rear perspective view thereof;

FIG. 3 is a bottom front perspective view thereof;

FIG. 4 is a front view thereof;

FIG. 5 is a rear view thereof;

FIG. 6 is a top plan view thereof;

FIG. 7 is a bottom plan view thereof;

FIG. 8 is a right side view thereof; and,

FIG. 9 is a left side view thereof.

The broken lines are shown for illustrative purposes only and form no part of the claimed design. The dashed-dotted lines in FIGS. 2 and 3 denote the boundary of the claim and form no part of the claimed design.

(56) **References Cited**

U.S. PATENT DOCUMENTS

D317,288 S 6/1991 Kubota
D317,294 S 6/1991 Hayashi
D390,193 S * 2/1998 Ronchetti D13/156
D423,459 S * 4/2000 Takase et al. D13/152
D499,070 S * 11/2004 Lavington D13/119
D517,988 S * 3/2006 Ihde et al. D13/119
D578,483 S * 10/2008 Lannoch D13/152
D578,484 S * 10/2008 Lannoch D13/152
D581,365 S * 11/2008 Stuckmann et al. D13/152

1 Claim, 9 Drawing Sheets

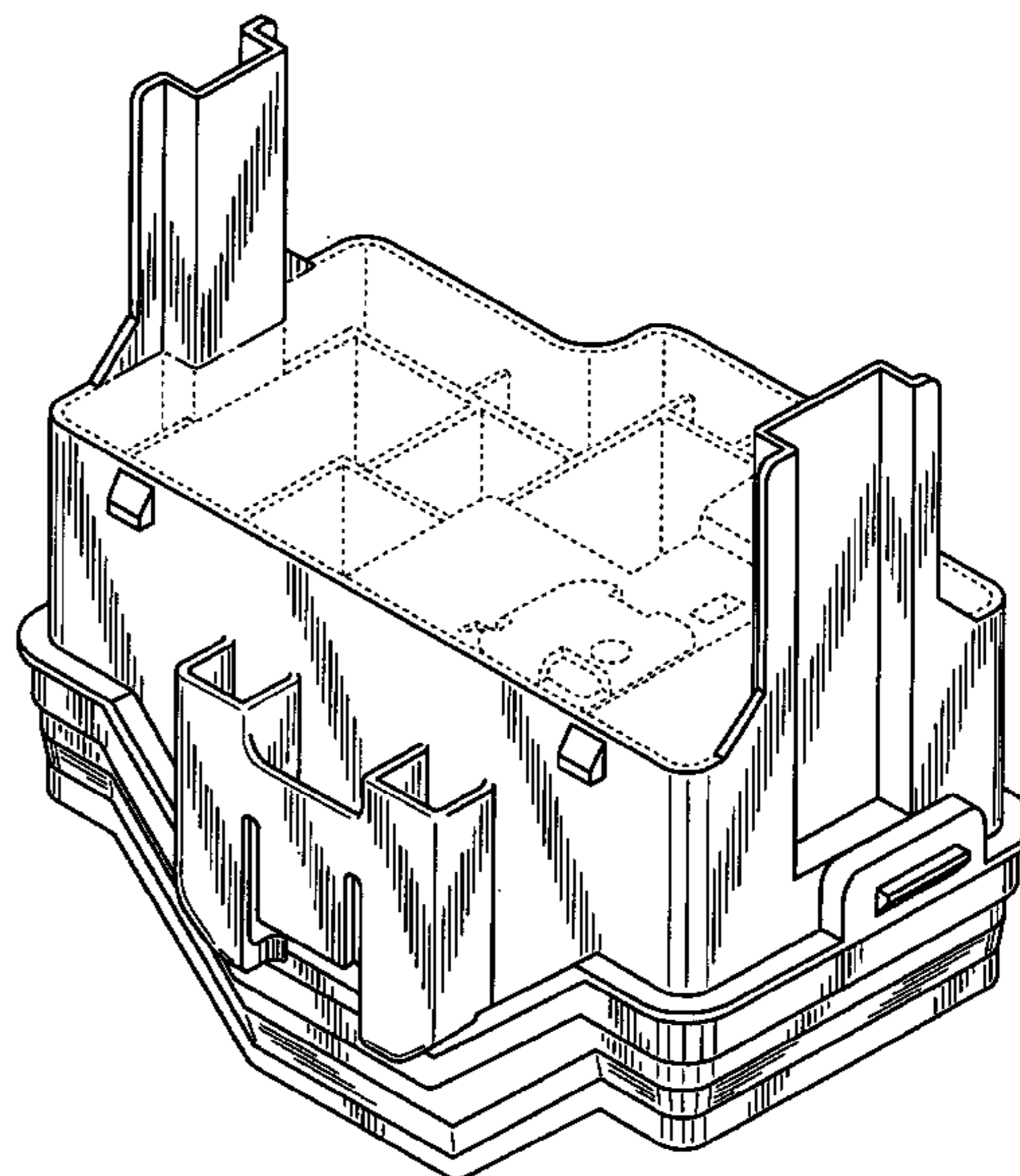
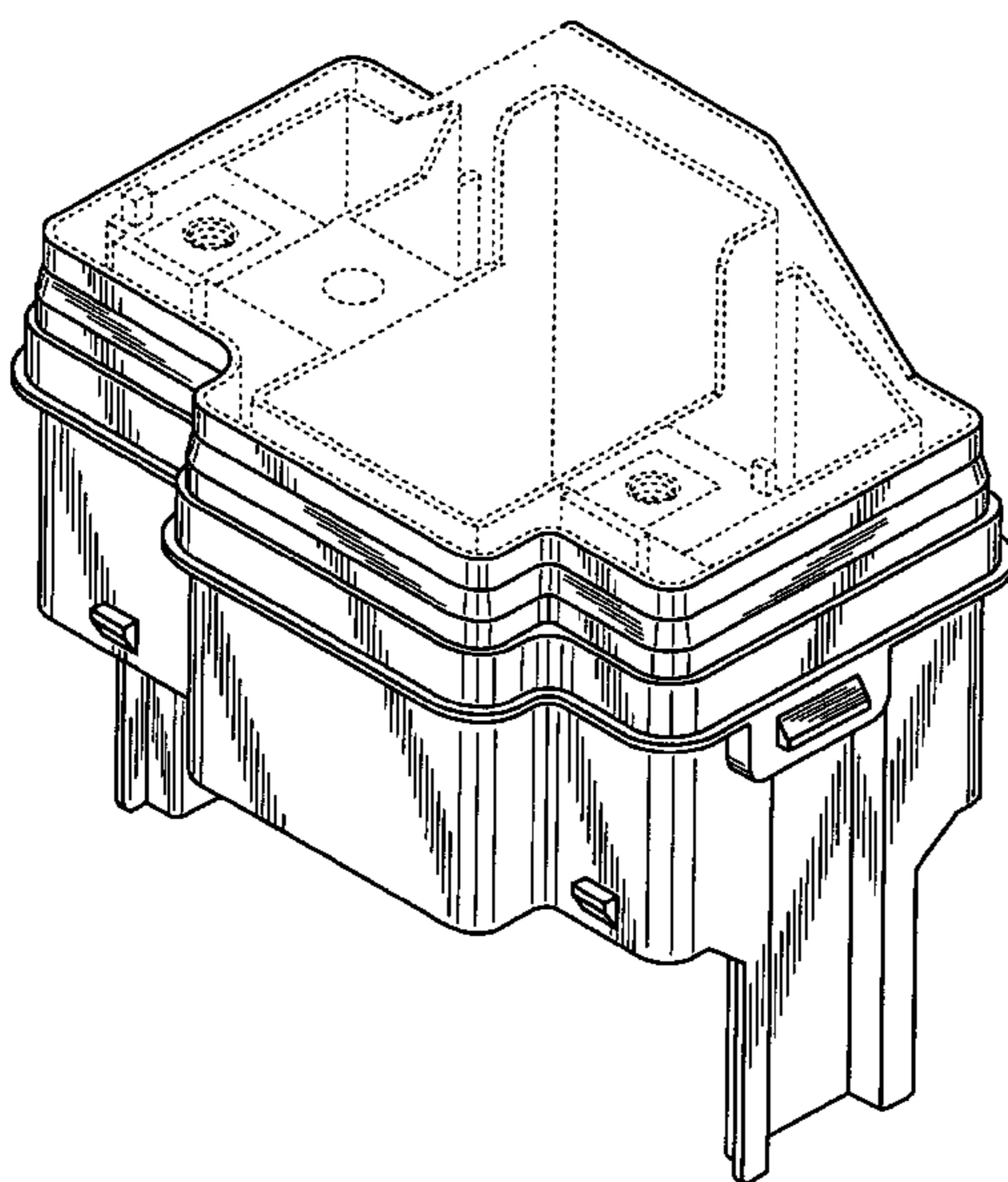


FIG. 1

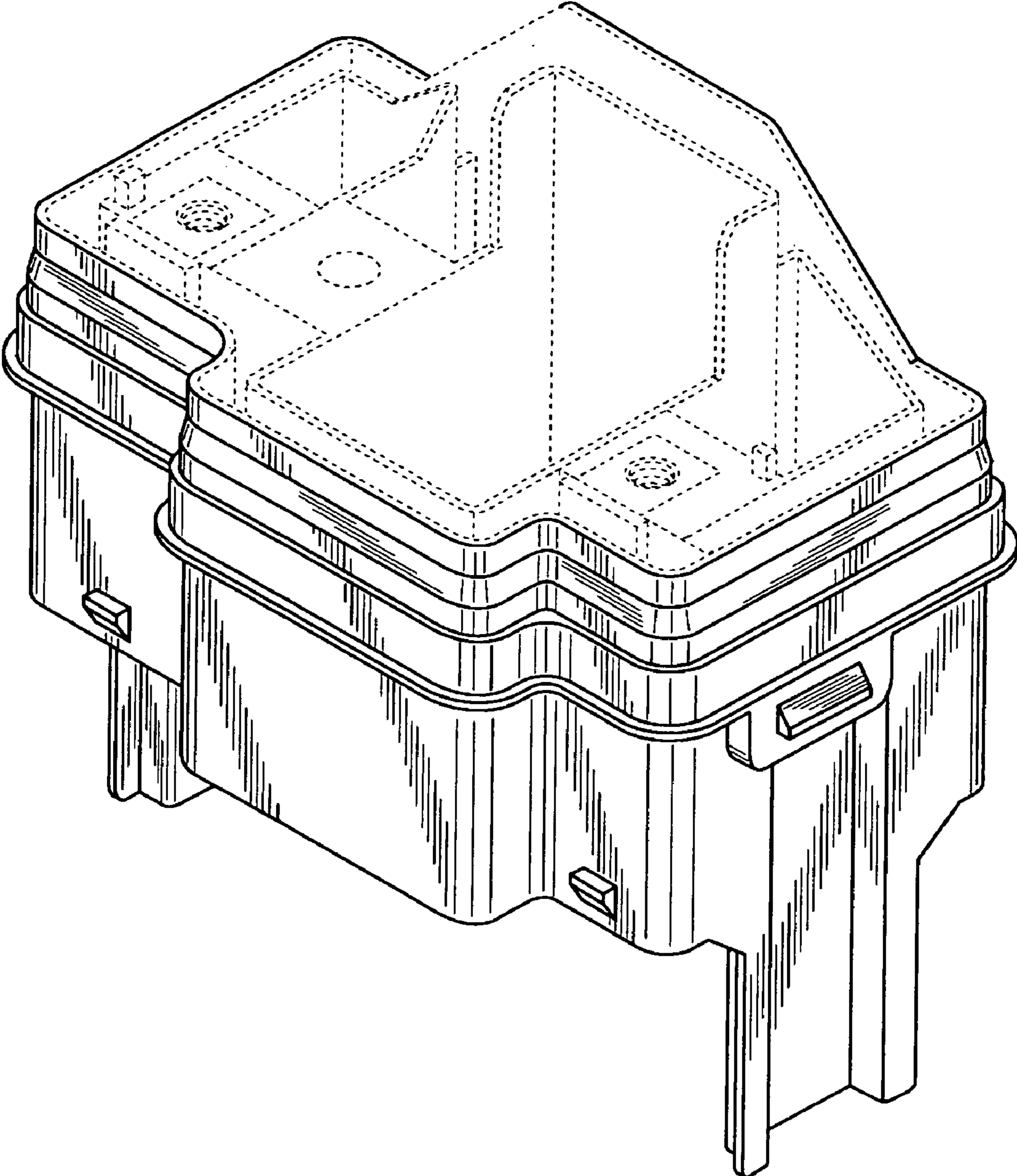


FIG. 2

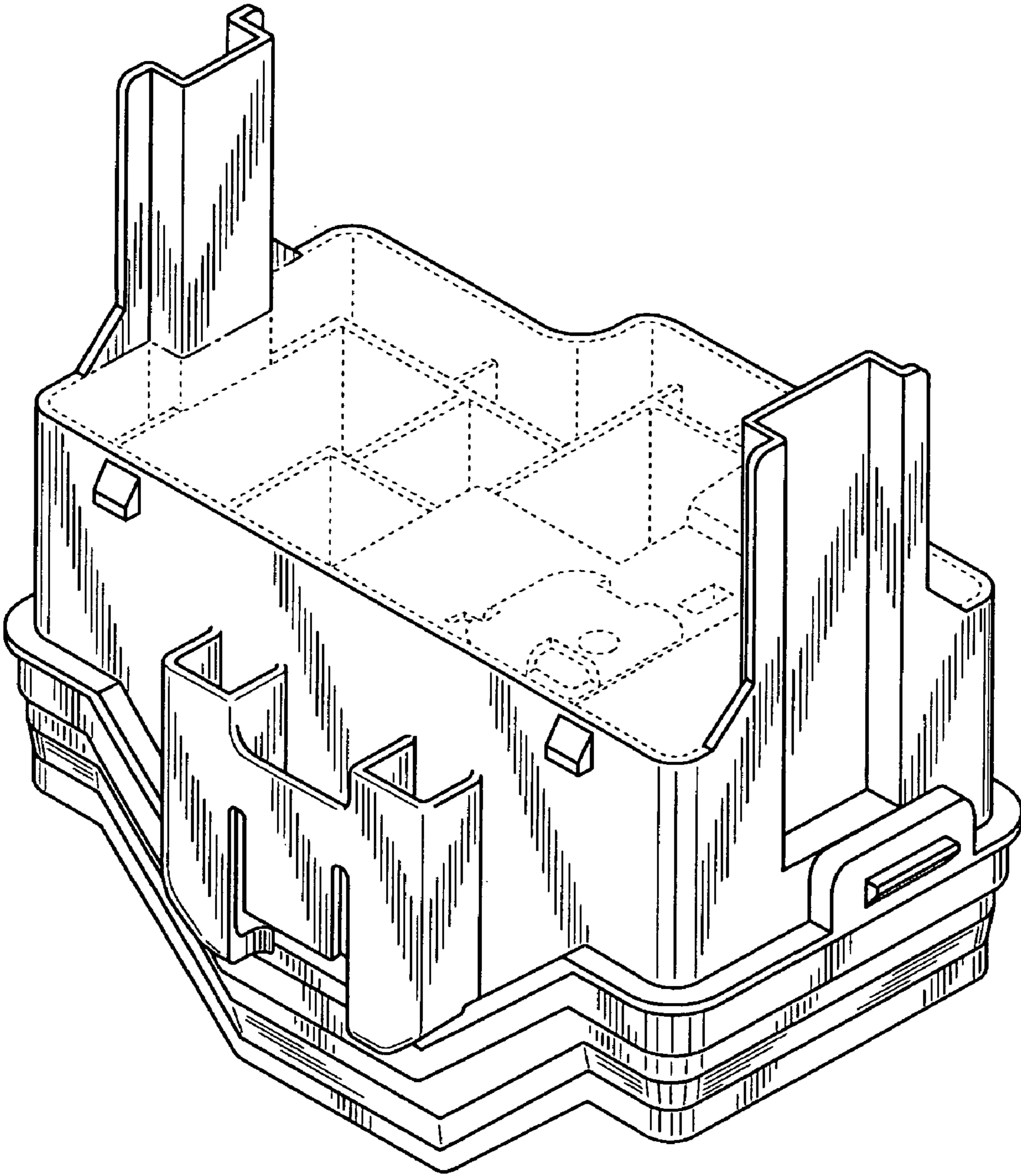


FIG. 3

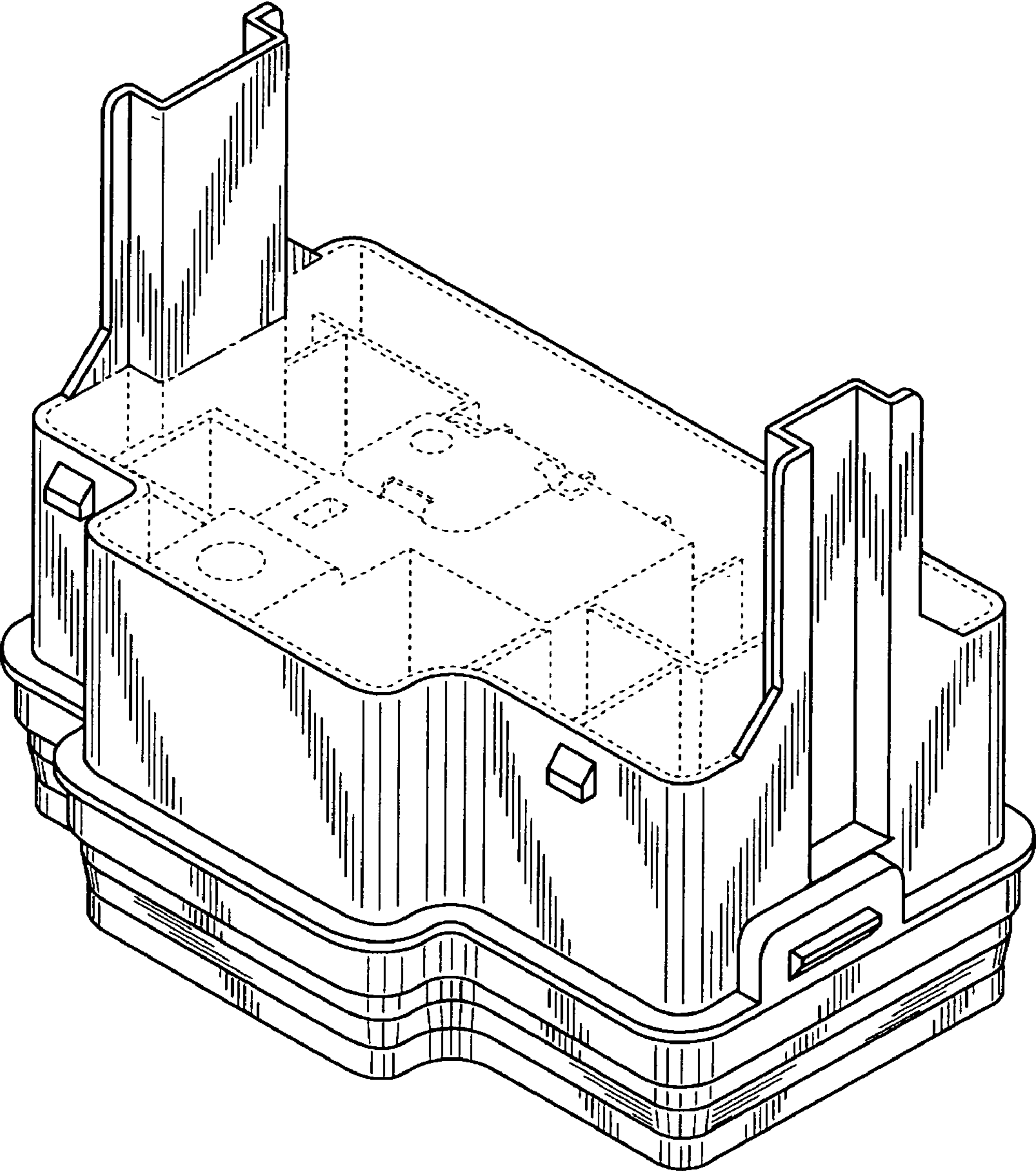


FIG. 4

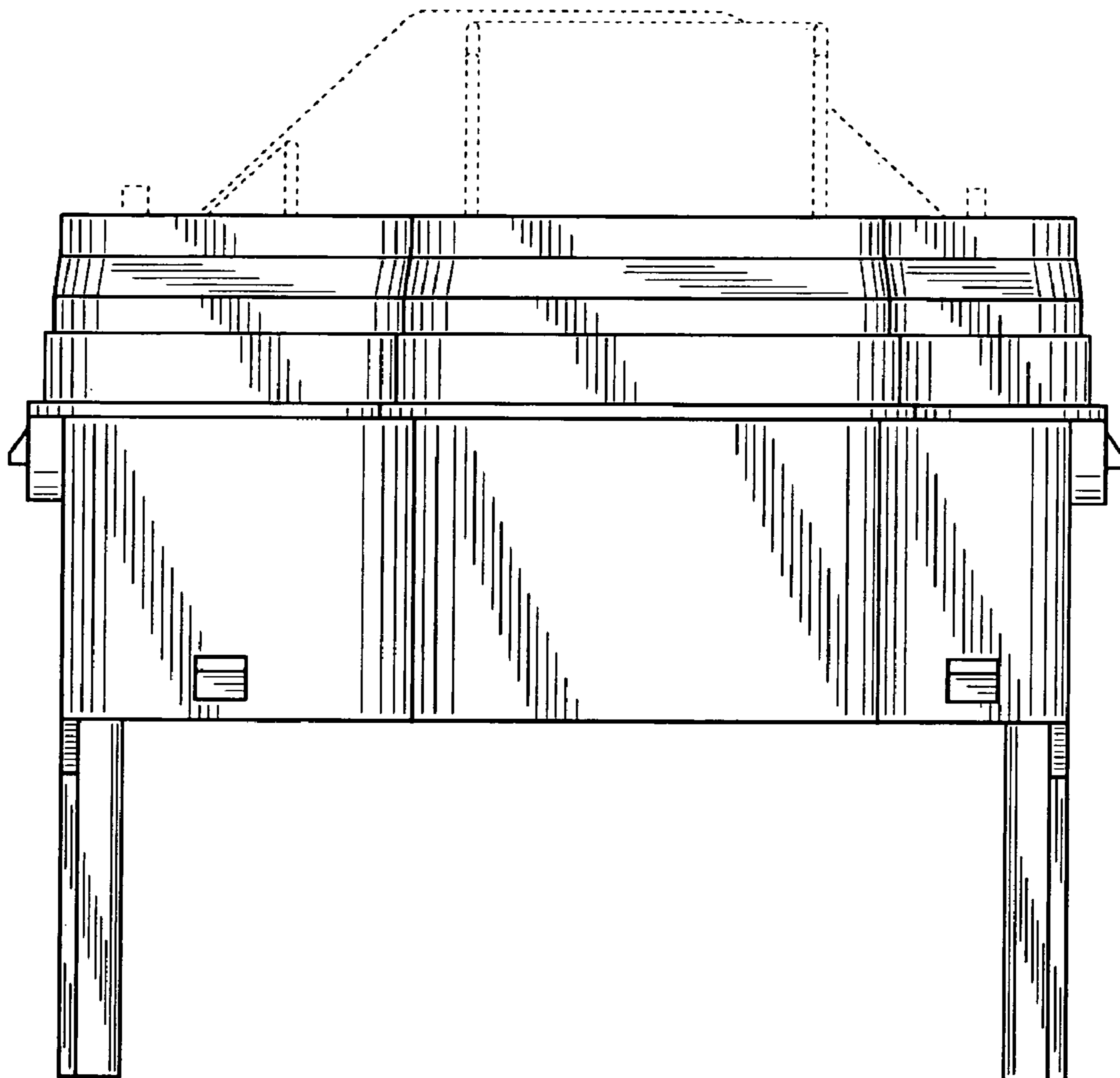


FIG. 5

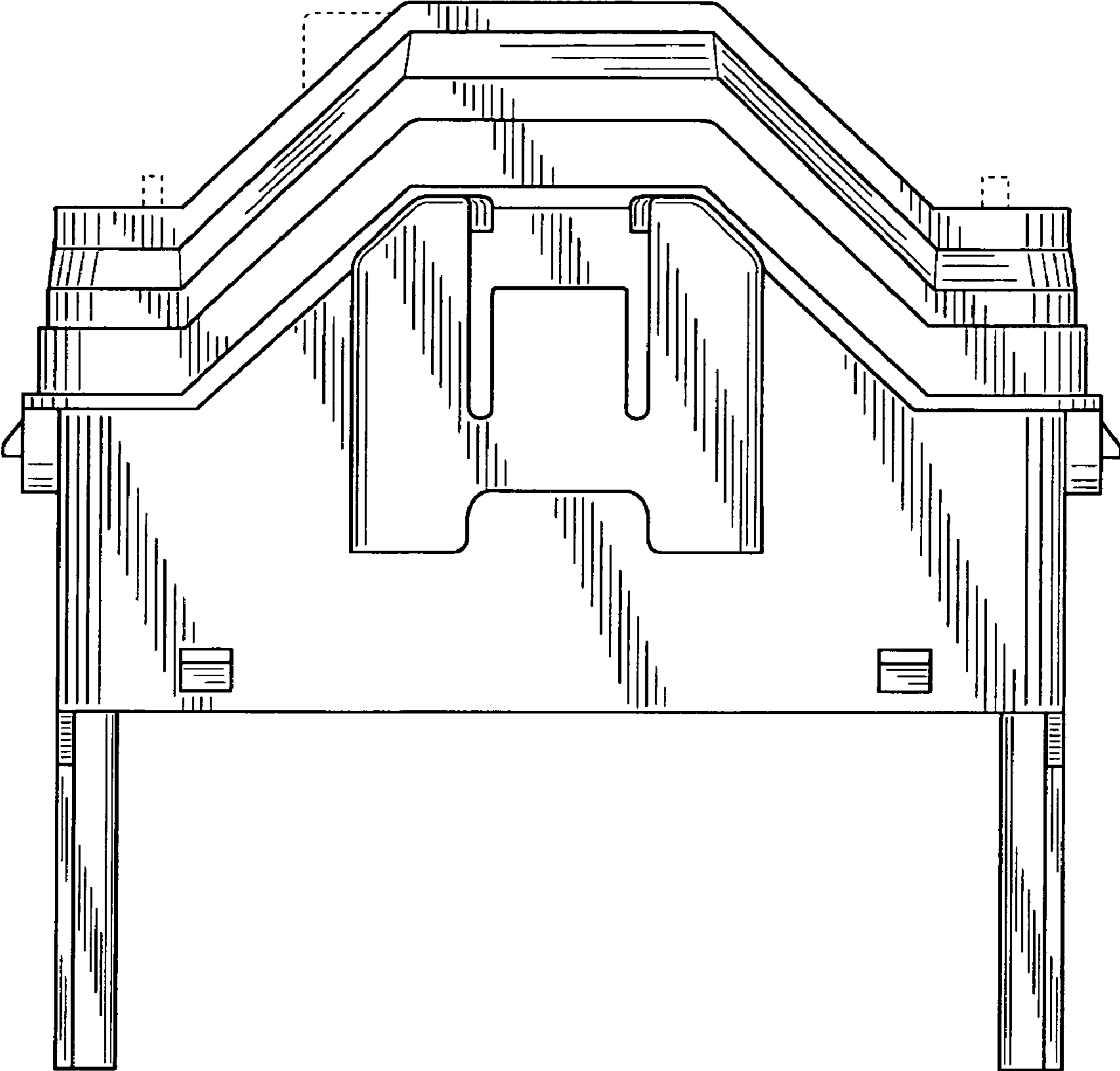


FIG. 6

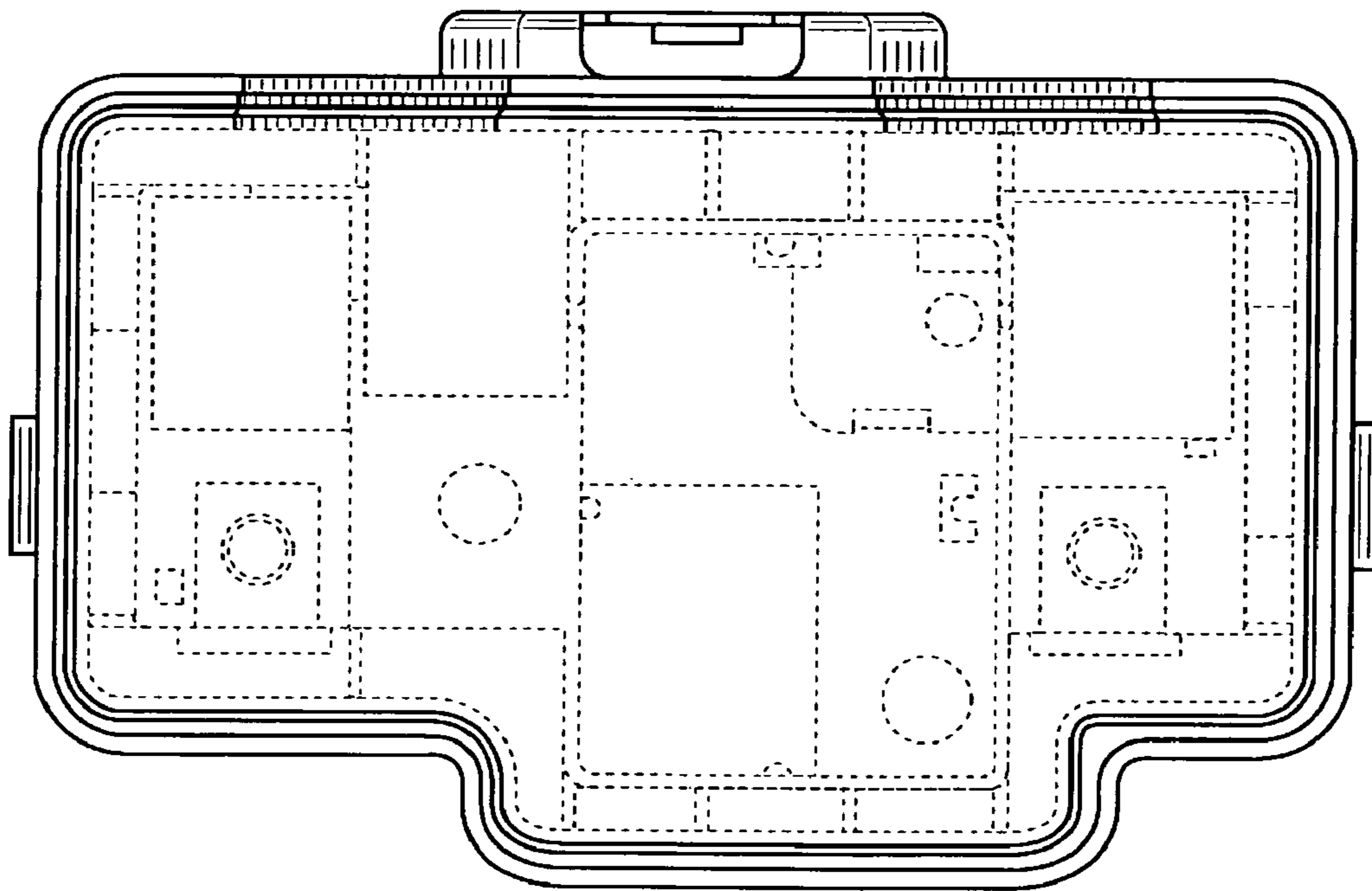


FIG. 7

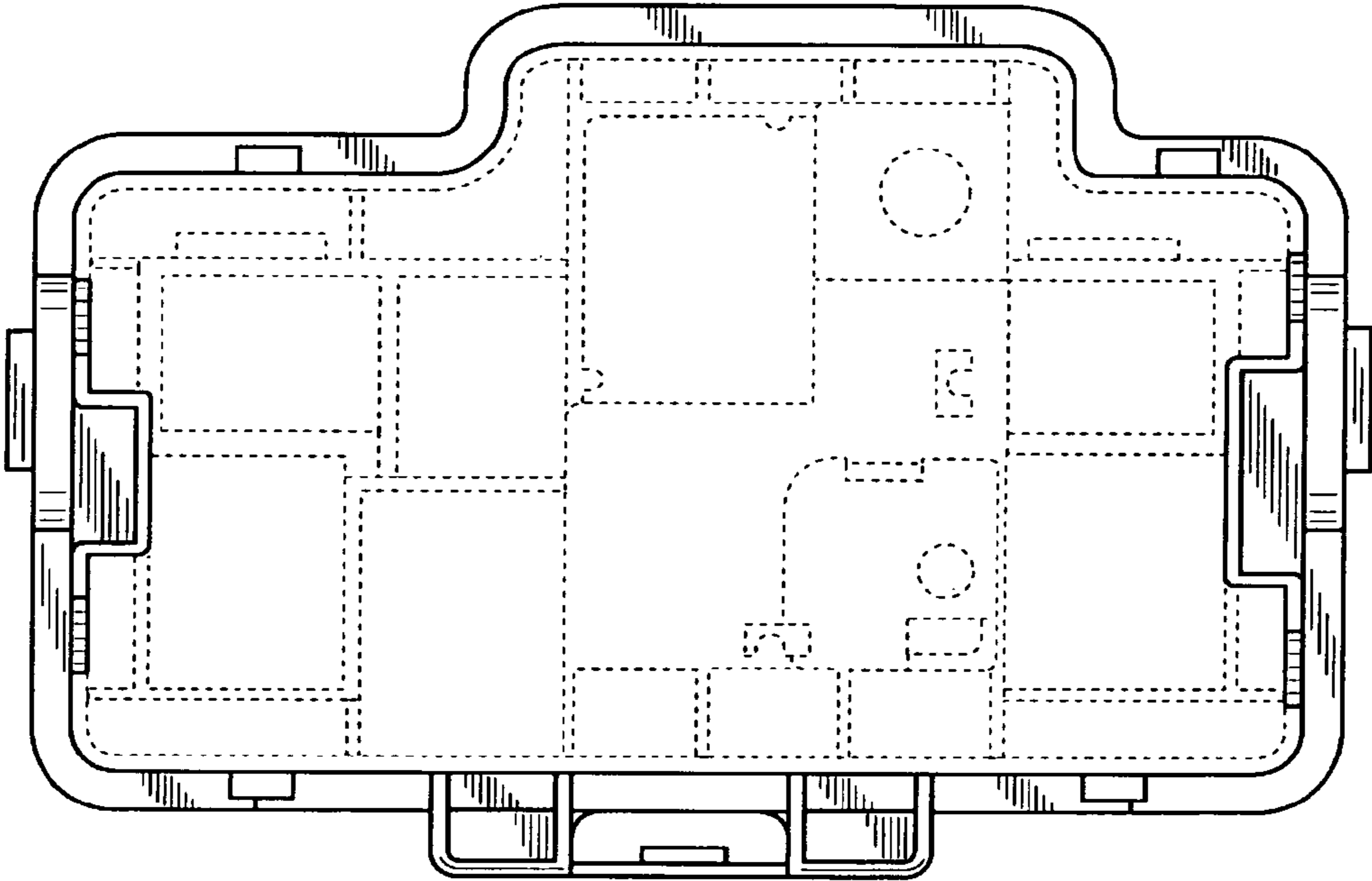


FIG. 8

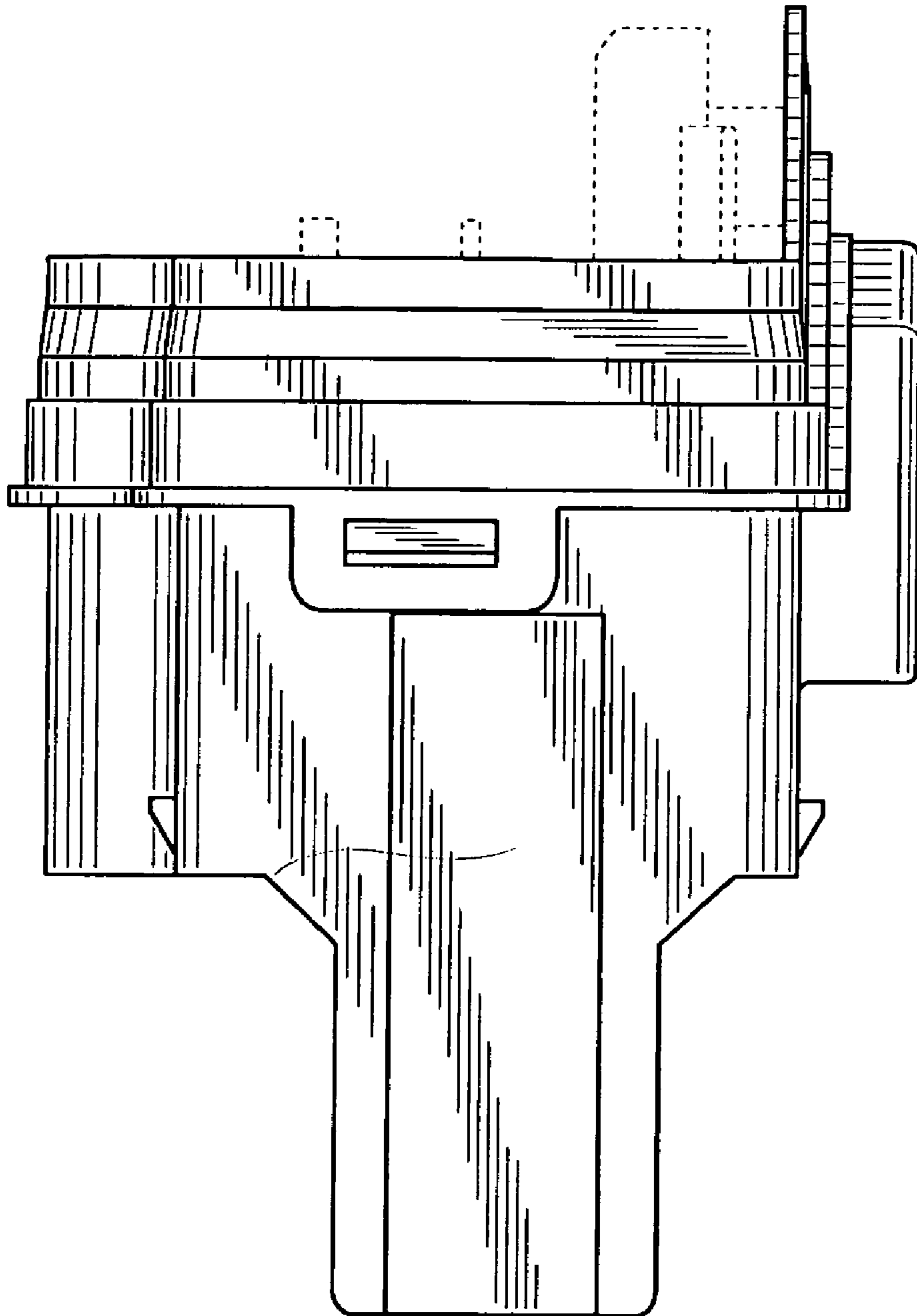


FIG. 9

