



US00D632255S

(12) **United States Design Patent**
Victor

(10) **Patent No.:** **US D632,255 S**
(45) **Date of Patent:** **** Feb. 8, 2011**

(54) **CABLE CONNECTOR**

(76) **Inventor:** **Jay Victor**, 2017 Bataan Rd., Unit A,
Redondo Beach, CA (US) 90278

(**) **Term:** **14 Years**

(21) **Appl. No.:** **29/368,200**

(22) **Filed:** **Aug. 19, 2010**

(51) **LOC (9) Cl.** **13-03**

(52) **U.S. Cl.** **D13/147**

(58) **Field of Classification Search** D13/133,
D13/146-147, 153, 154, 156, 184; 439/79,
439/248, 258, 274, 350, 353, 358, 447, 476.1,
439/607.01, 607.04, 607.05, 607.17, 607.25,
439/607.34, 607.41, 607.53, 660, 668, 680
See application file for complete search history.

(56) **References Cited**

U.S. PATENT DOCUMENTS

D516,030 S *	2/2006	Han et al.	D13/147
D588,547 S *	3/2009	Lee et al.	D13/154
D602,441 S *	10/2009	Wu et al.	D13/147
D603,800 S *	11/2009	Zhao et al.	D13/147
D622,668 S *	8/2010	Lin	D13/147

* cited by examiner

Primary Examiner—Daniel D Bui
(74) *Attorney, Agent, or Firm*—Trojan Law Offices

(57) **CLAIM**

The ornamental design for a cable connector, as shown and described.

DESCRIPTION

FIG. 1 is a perspective view of a cable connector, showing my new design;

FIG. 2 is a front view of the cable connector shown in FIG. 1;

FIG. 3 is a rear view of the cable connector shown in FIG. 1;

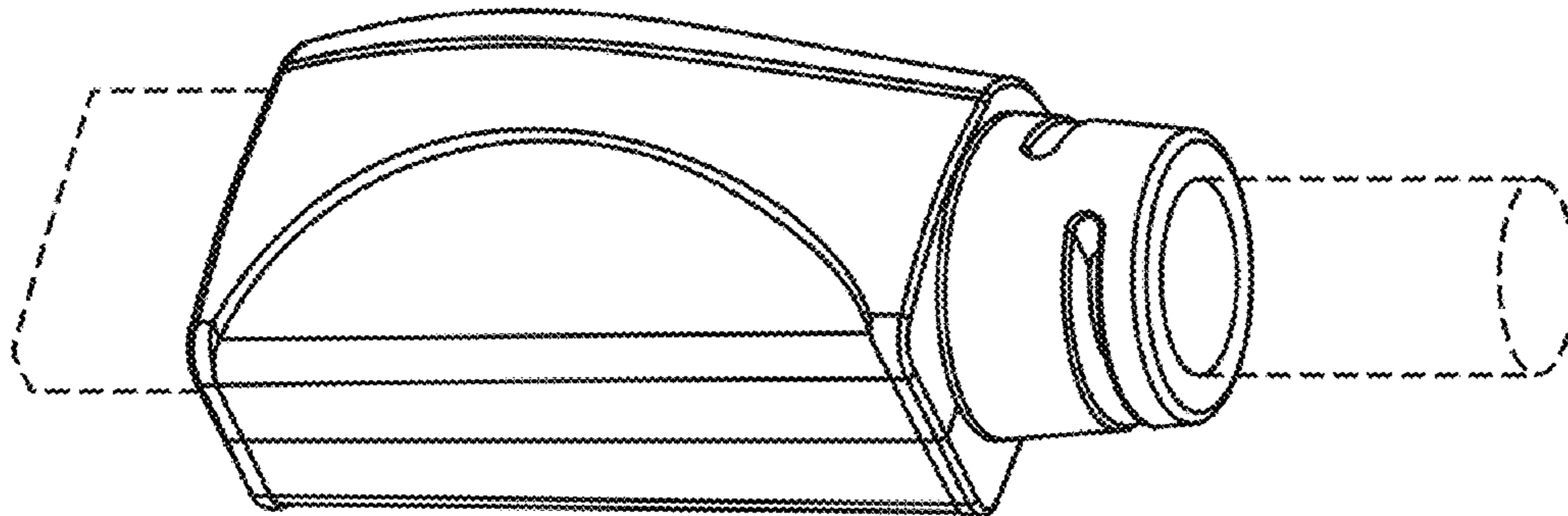
FIG. 4 is a bottom view of the cable connector shown in FIG. 1;

FIG. 5 is a right side view of the cable connector shown in FIG. 1; and,

FIG. 6 is a left side view of the cable connector shown in FIG. 1.

The broken line portion of the figure drawings is included to show unclaimed subject matter only and forms no part of the claimed design.

1 Claim, 2 Drawing Sheets



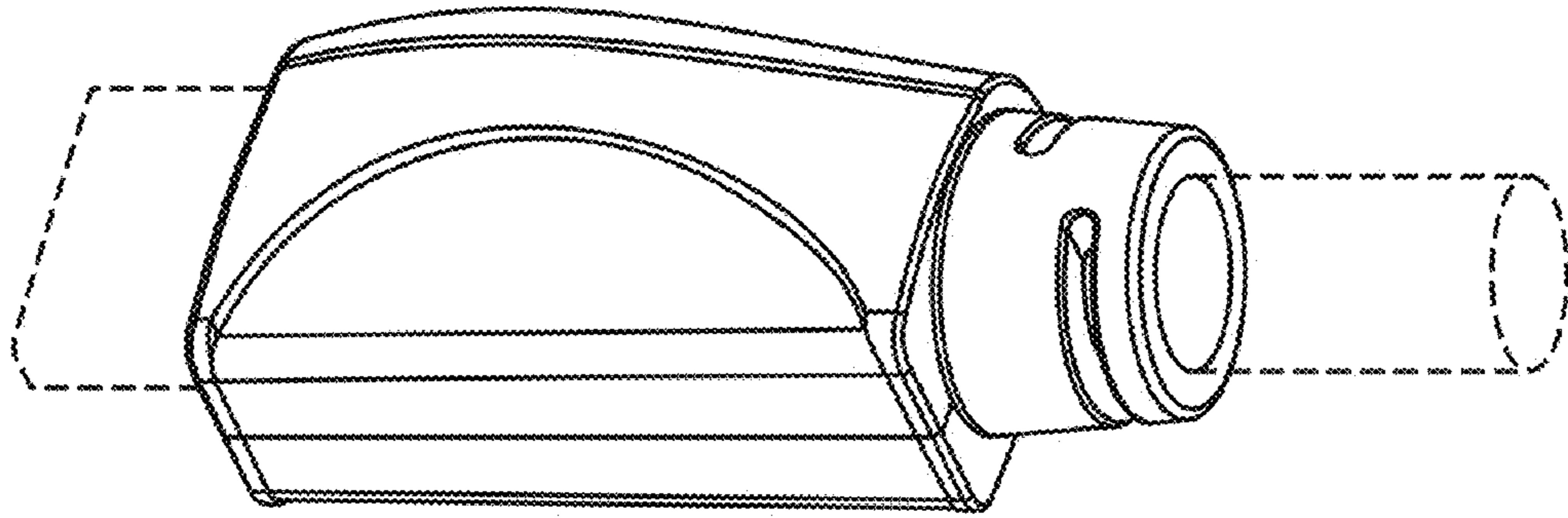


Fig. 1

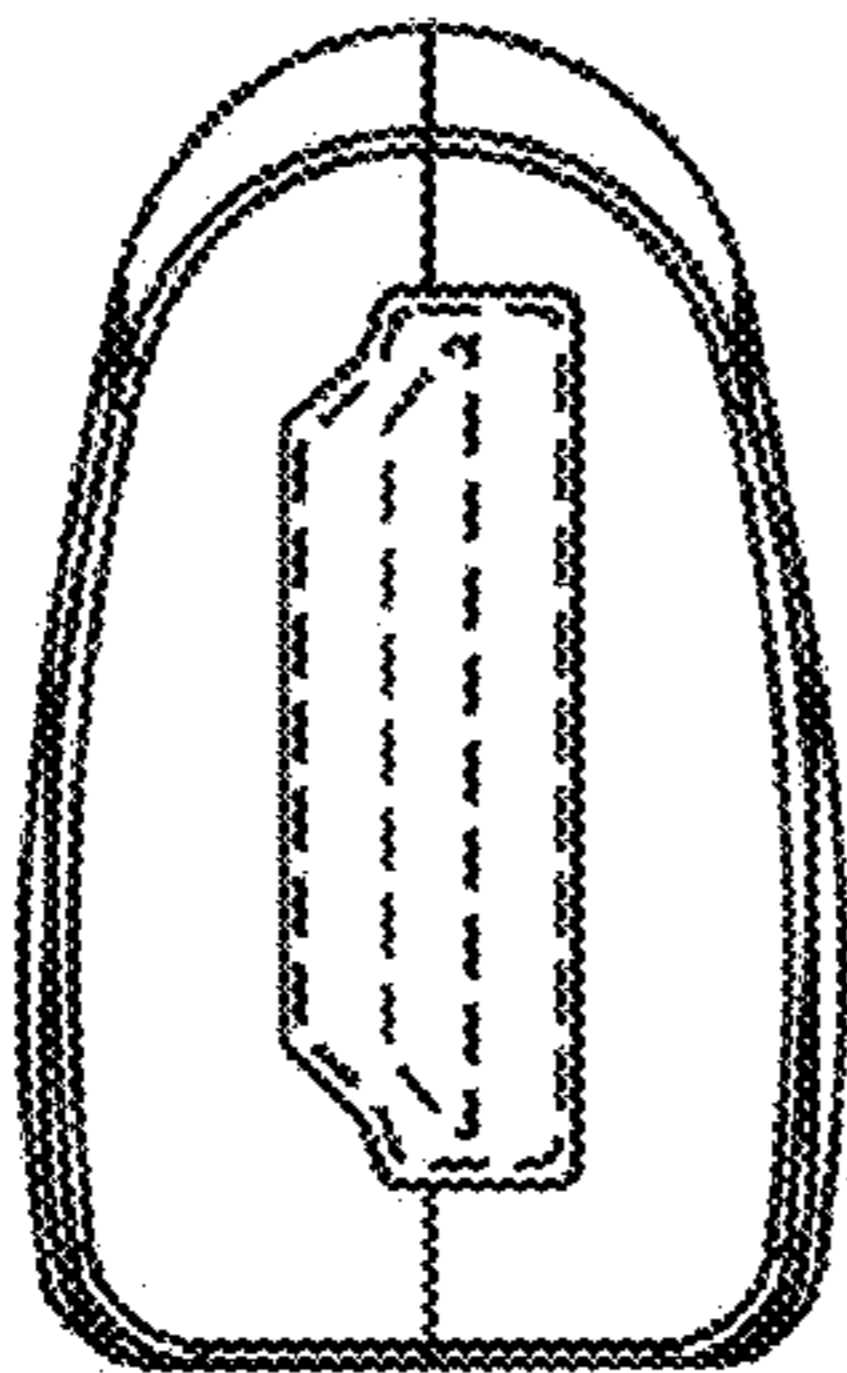


Fig. 2

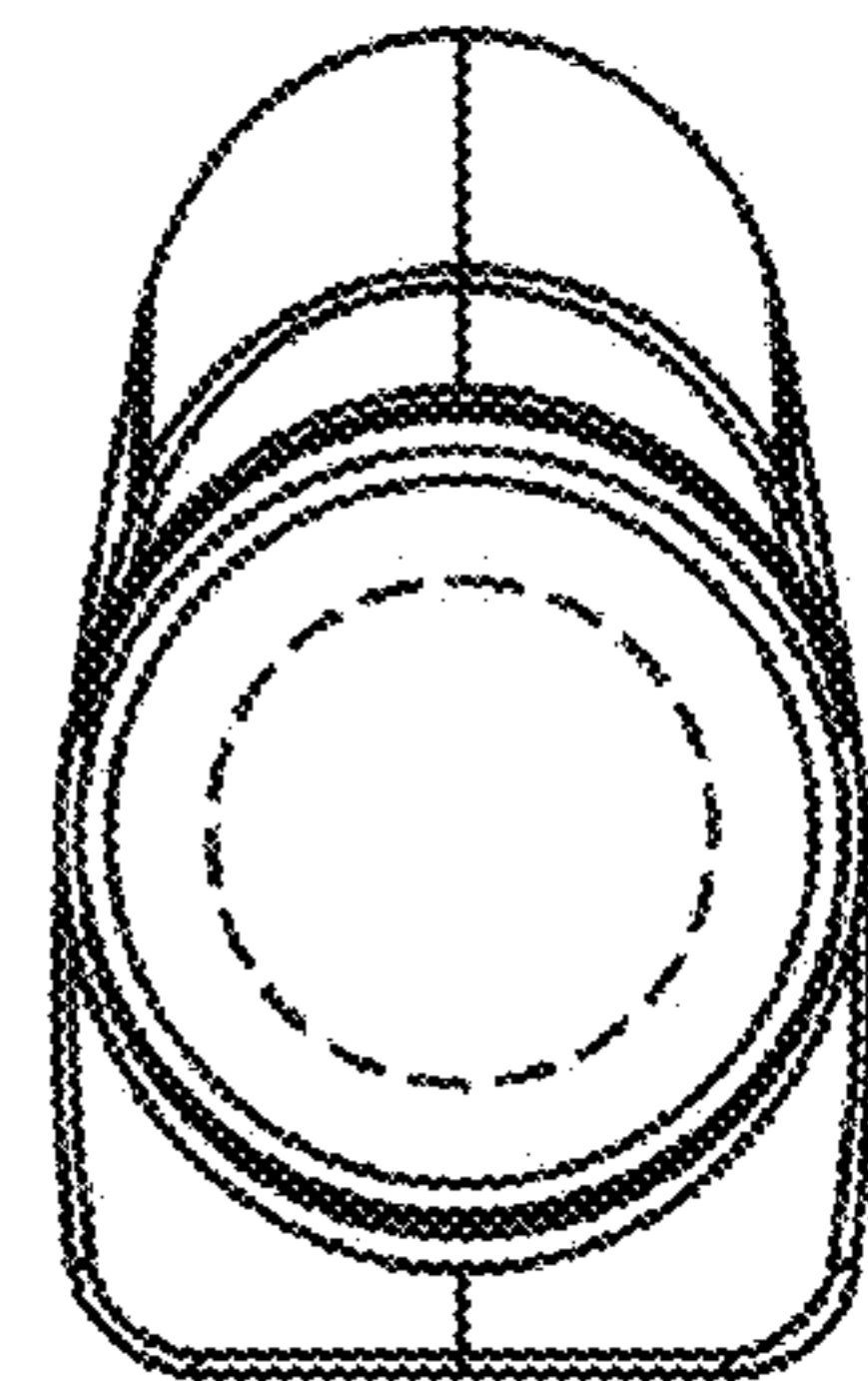


Fig. 3

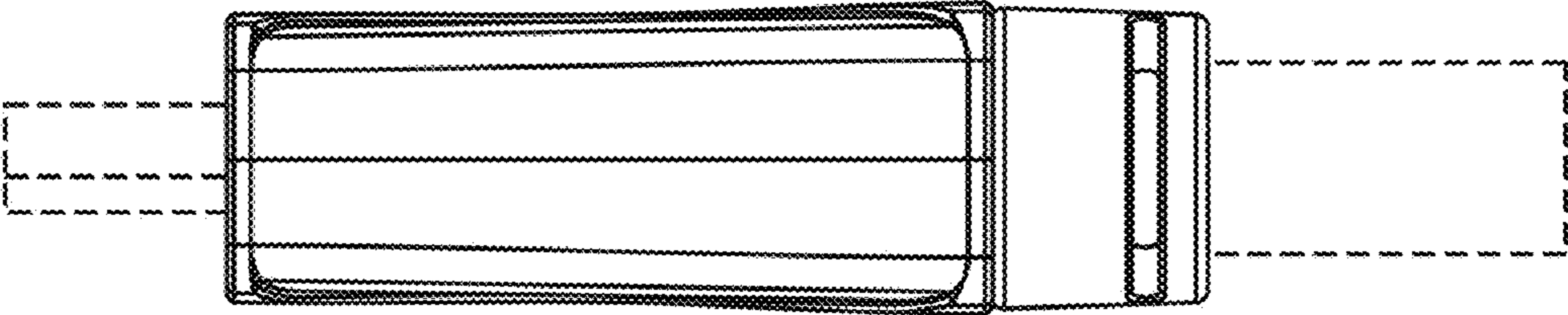


Fig. 4

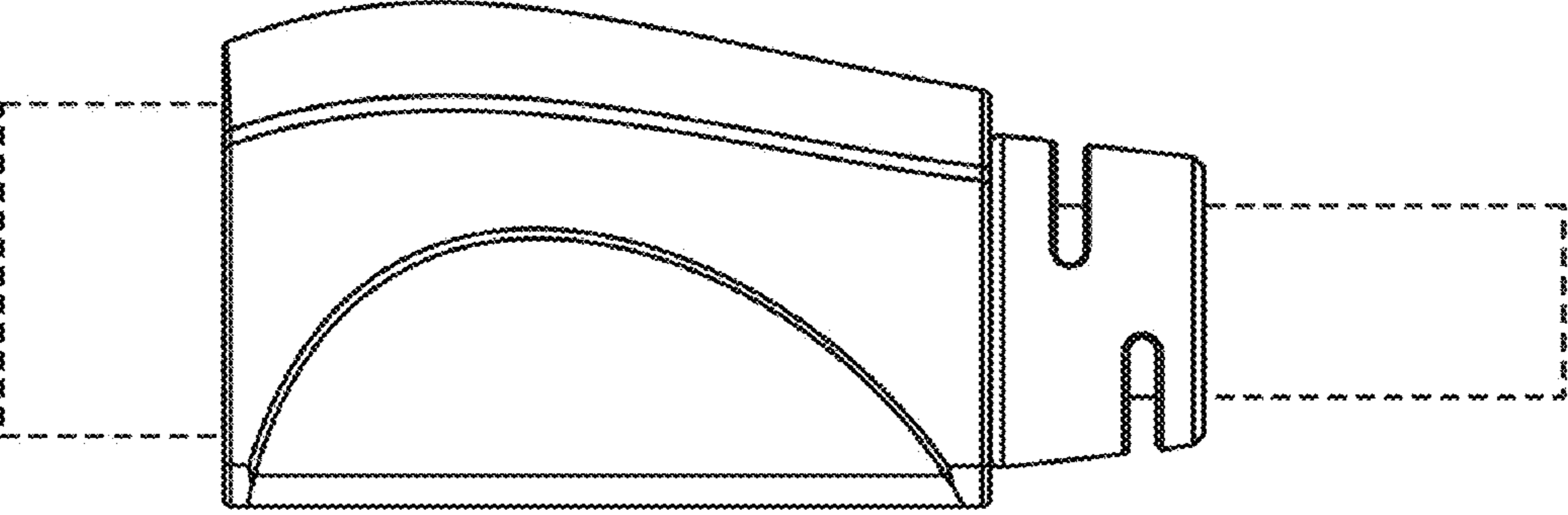


Fig. 5

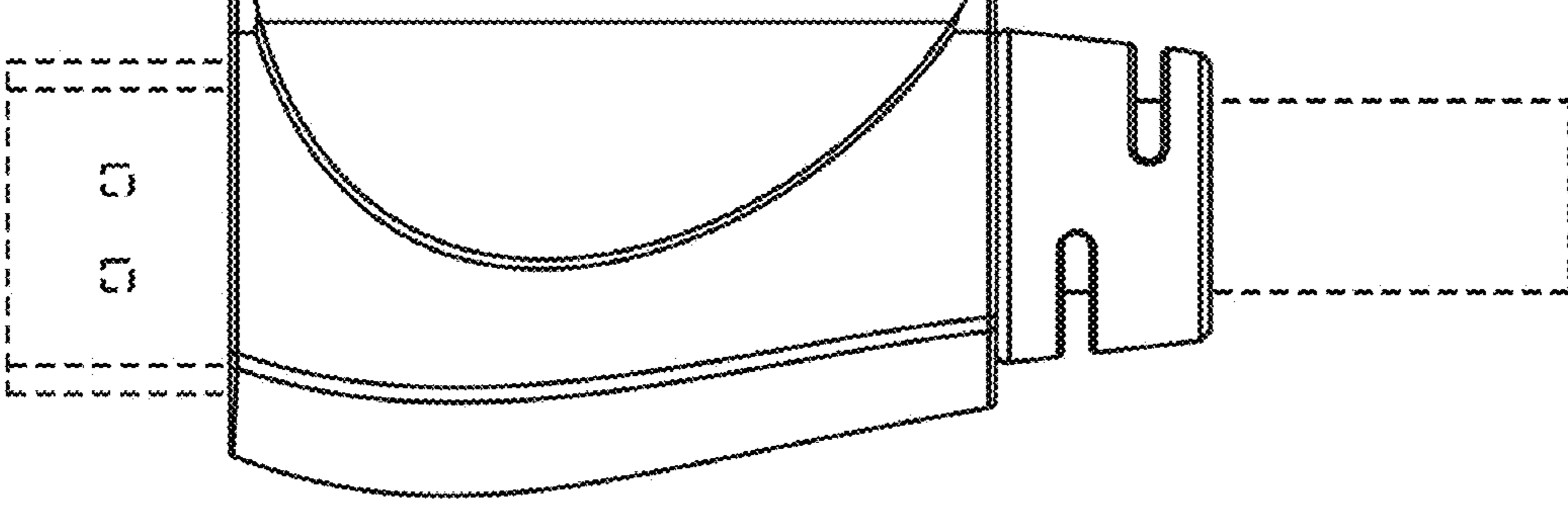


Fig. 6