



US00D632253S

(12) **United States Design Patent**  
**Su et al.**

(10) **Patent No.:** **US D632,253 S**  
(45) **Date of Patent:** **\*\* Feb. 8, 2011**

(54) **AUDIO JACK CONNECTOR**

(75) Inventors: **Yu-Hung Su**, Tu-Cheng (TW);  
**Yao-Ting Wang**, Tu-Cheng (TW)

(73) Assignee: **Cheng Uei Precision Industry Co., Ltd.**, Tu-Cheng, Taipei Hsien (TW)

(\*\*) Term: **14 Years**

(21) Appl. No.: **29/364,369**

(22) Filed: **Jun. 22, 2010**

(51) **LOC (9) Cl.** ..... **13-03**

(52) **U.S. Cl.** ..... **D13/147**

(58) **Field of Classification Search** ..... D13/147,  
D13/154, 184; 439/188, 607.01, 607.04,  
439/607.05, 607.17, 607.25, 607.34, 607.41,  
439/607.53, 668, 540.1, 541.5, 939  
See application file for complete search history.

(56) **References Cited**

**U.S. PATENT DOCUMENTS**

D451,472 S	*	12/2001	Suzuki	.....	D13/133
D533,835 S	*	12/2006	Lee	.....	D13/133
D534,494 S	*	1/2007	Li	.....	D13/133
D534,868 S	*	1/2007	Lee	.....	D13/133
D552,032 S	*	10/2007	Peng	.....	D13/133
D555,098 S	*	11/2007	Wu et al.	.....	D13/133

D558,675 S	*	1/2008	Chien et al.	.....	D13/133
D575,232 S	*	8/2008	Chiang et al.	.....	D13/133
D576,101 S	*	9/2008	Wu et al.	.....	D13/133
D611,414 S	*	3/2010	Huang	.....	D13/133

\* cited by examiner

*Primary Examiner*—Daniel D Bui

(74) *Attorney, Agent, or Firm*—Cheng-Ju Chiang

(57) **CLAIM**

The ornamental design for an audio jack connector, as shown and described.

**DESCRIPTION**

FIG. 1 is a perspective view of an audio jack connector showing our new design;

FIG. 2 is a front elevational view thereof;

FIG. 3 is a rear elevational view thereof;

FIG. 4 is a left side elevational view thereof;

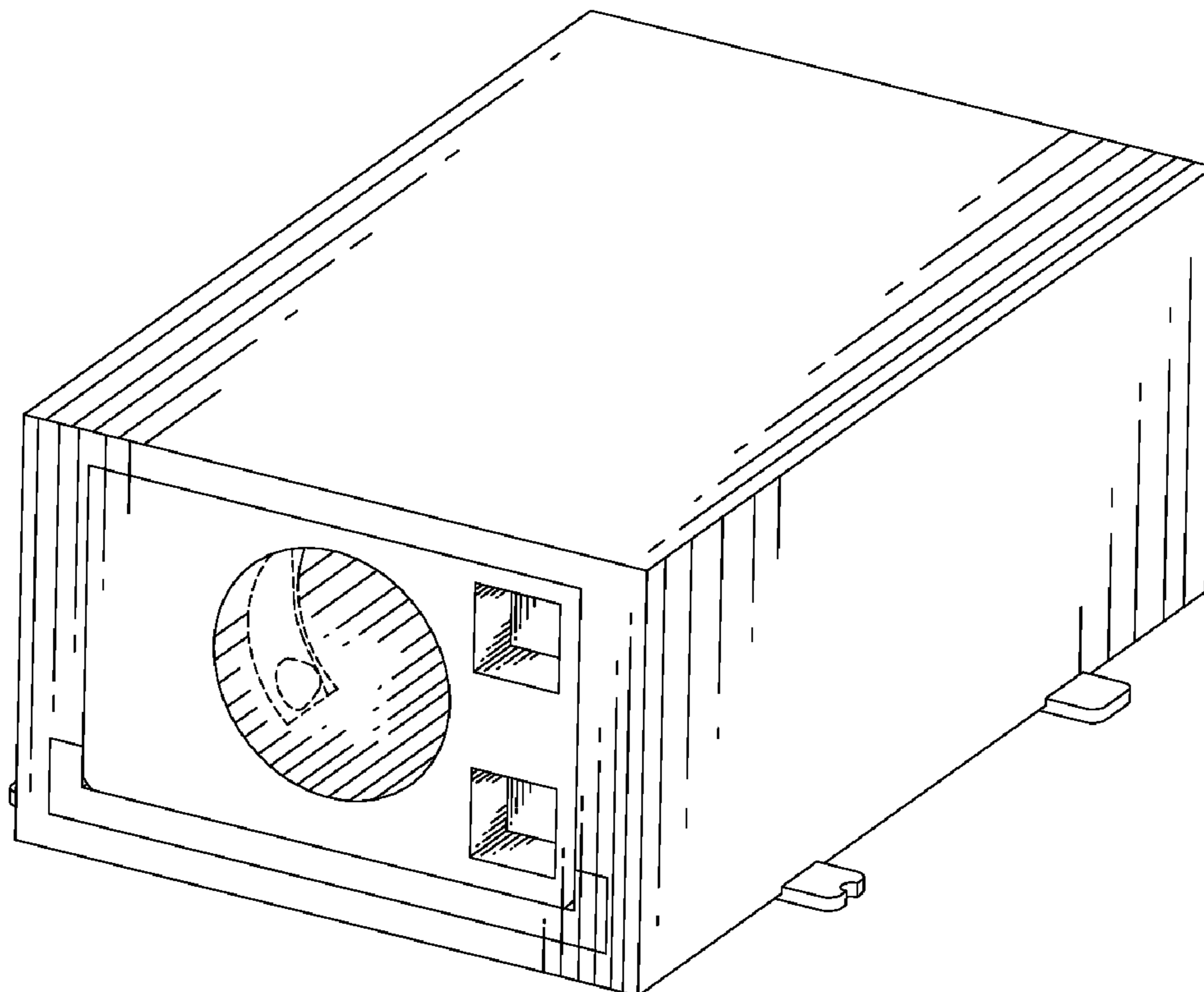
FIG. 5 is a right side elevational view thereof;

FIG. 6 is a top plan view thereof; and,

FIG. 7 is a bottom plan view thereof.

The broken line portion of the figure drawings is included to show unclaimed subject matter only and forms no part of the claimed design.

**1 Claim, 7 Drawing Sheets**



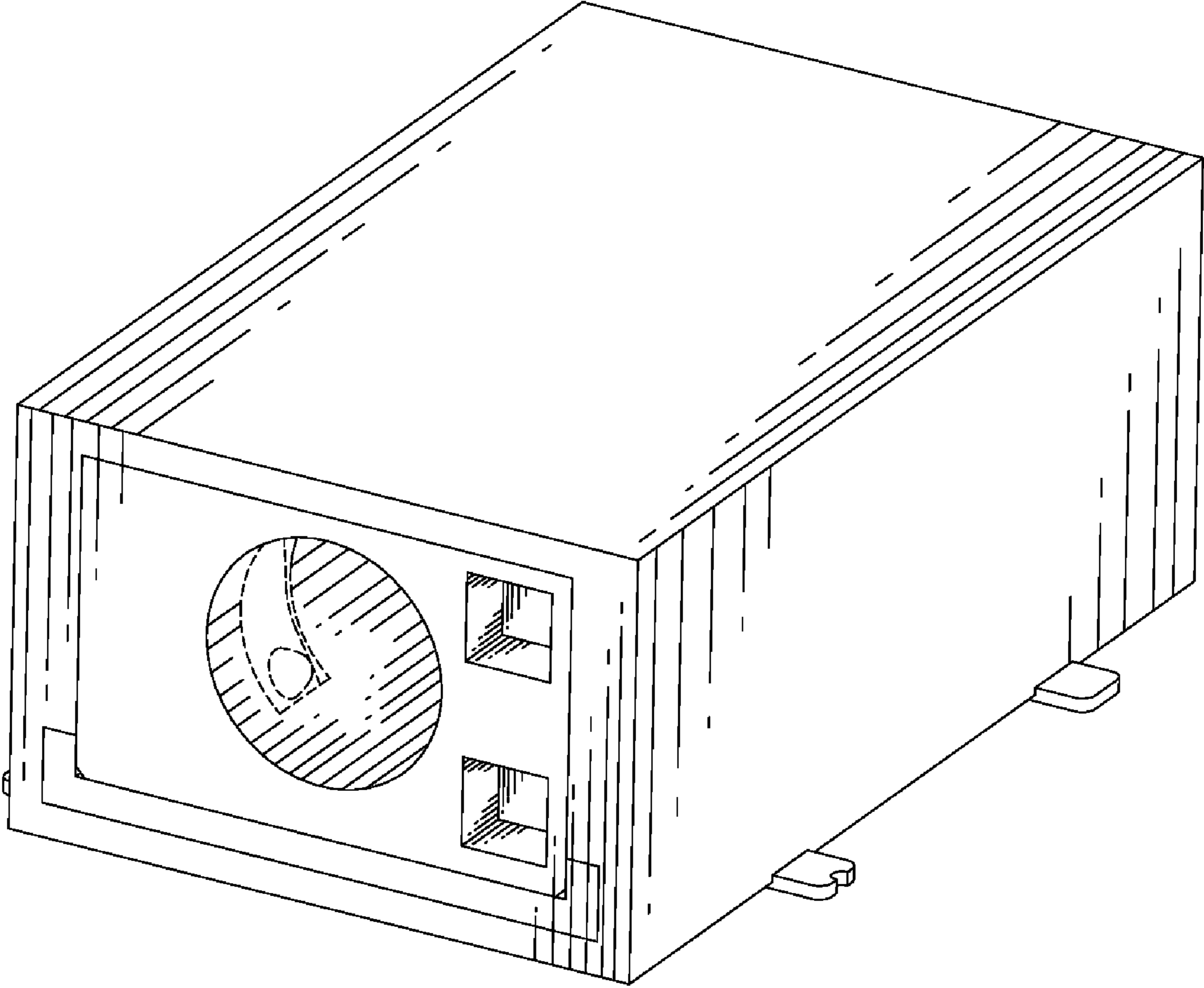


FIG. 1

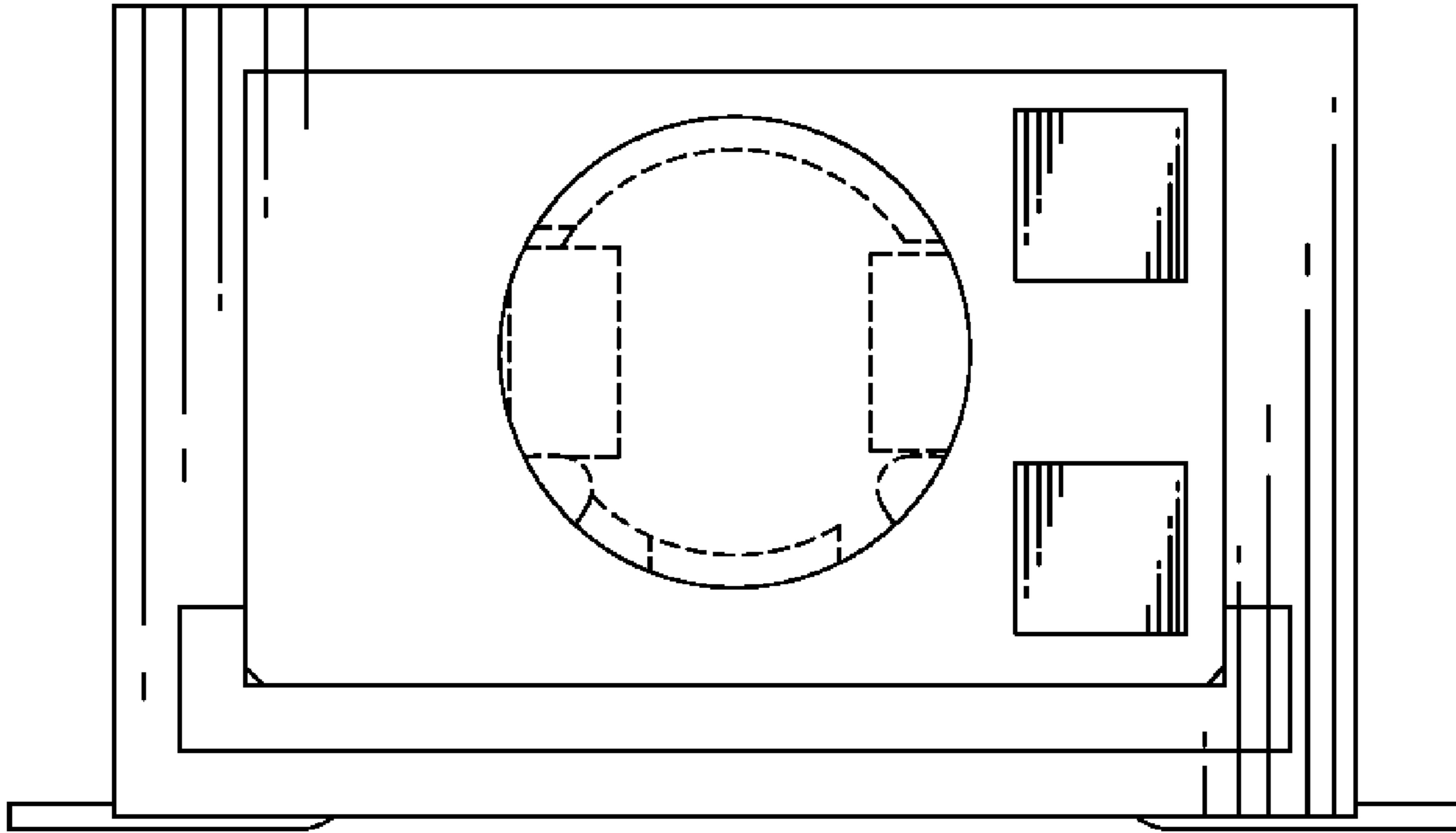


FIG. 2

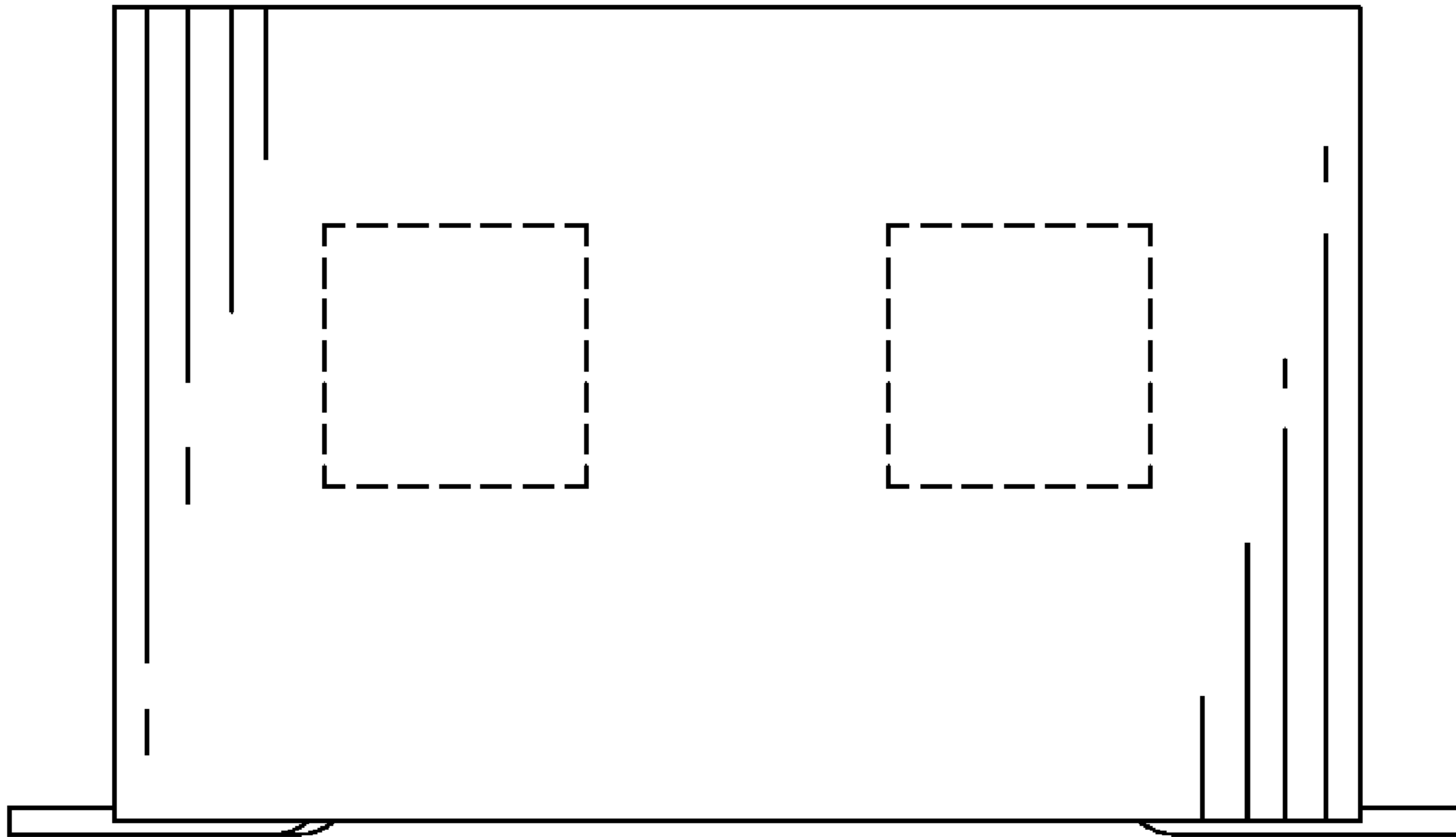


FIG. 3

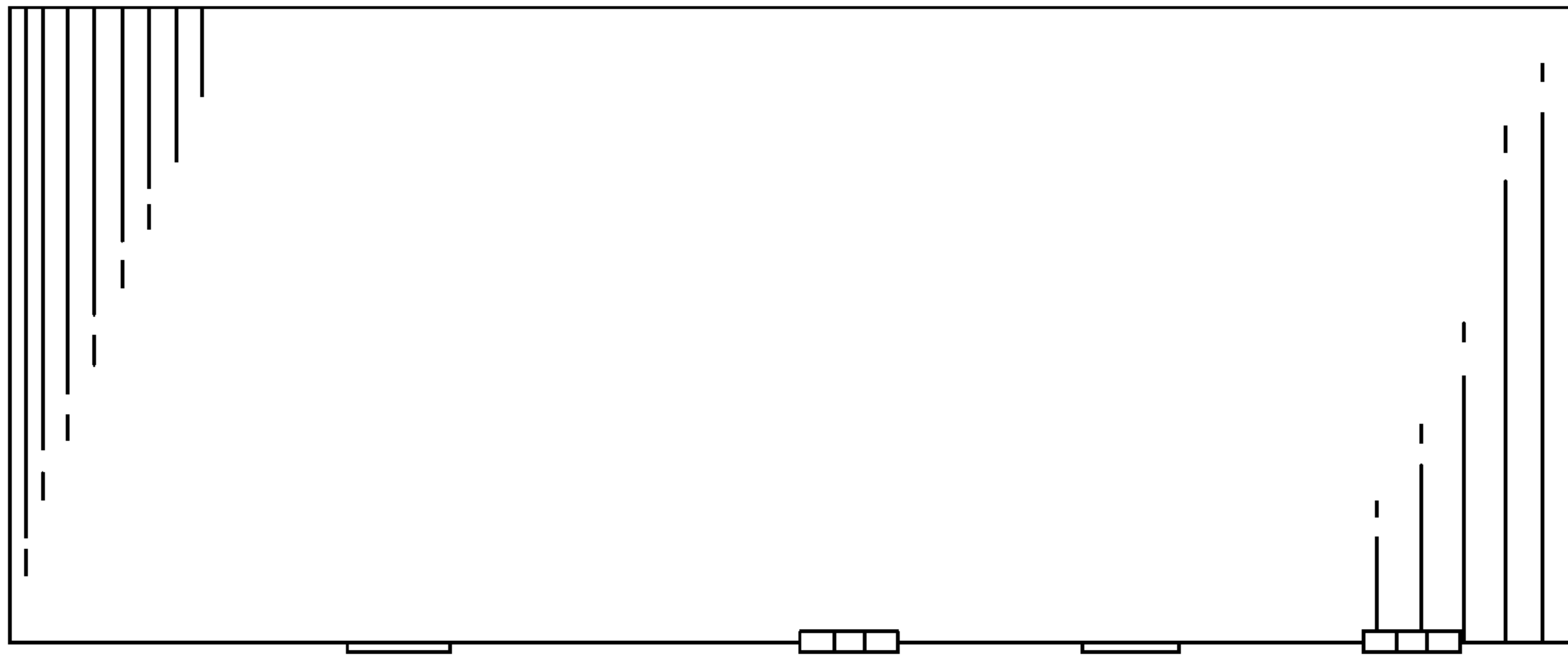


FIG. 4

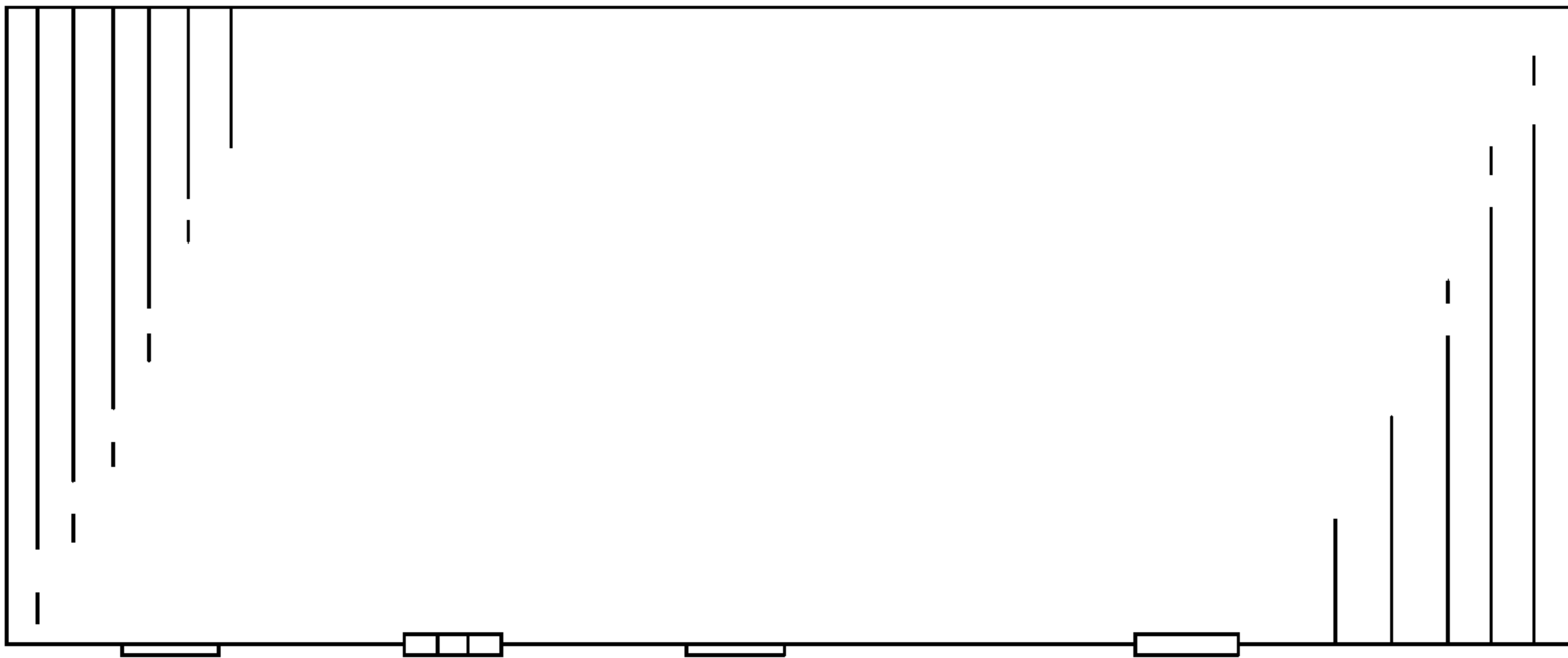


FIG. 5

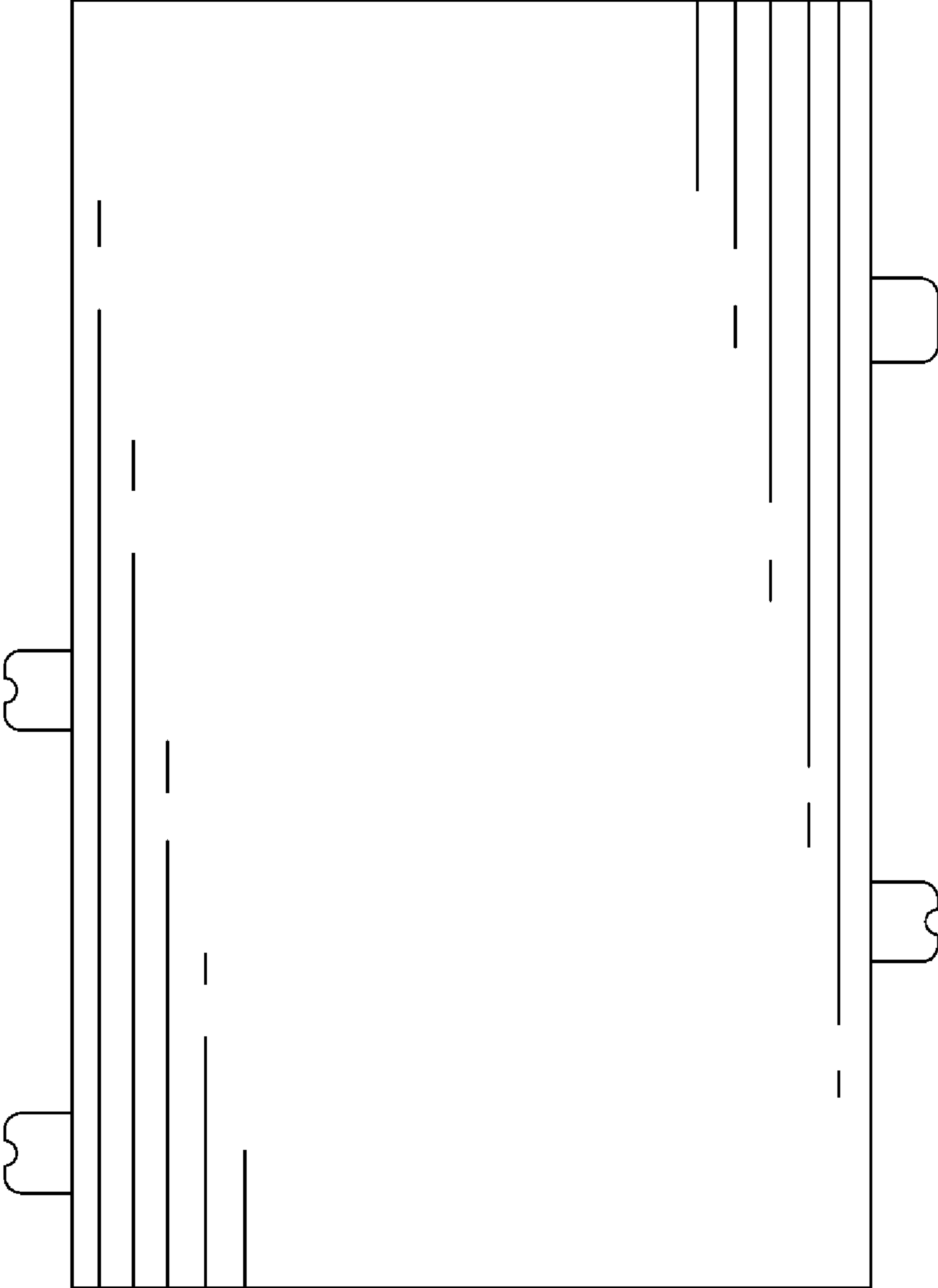


FIG. 6

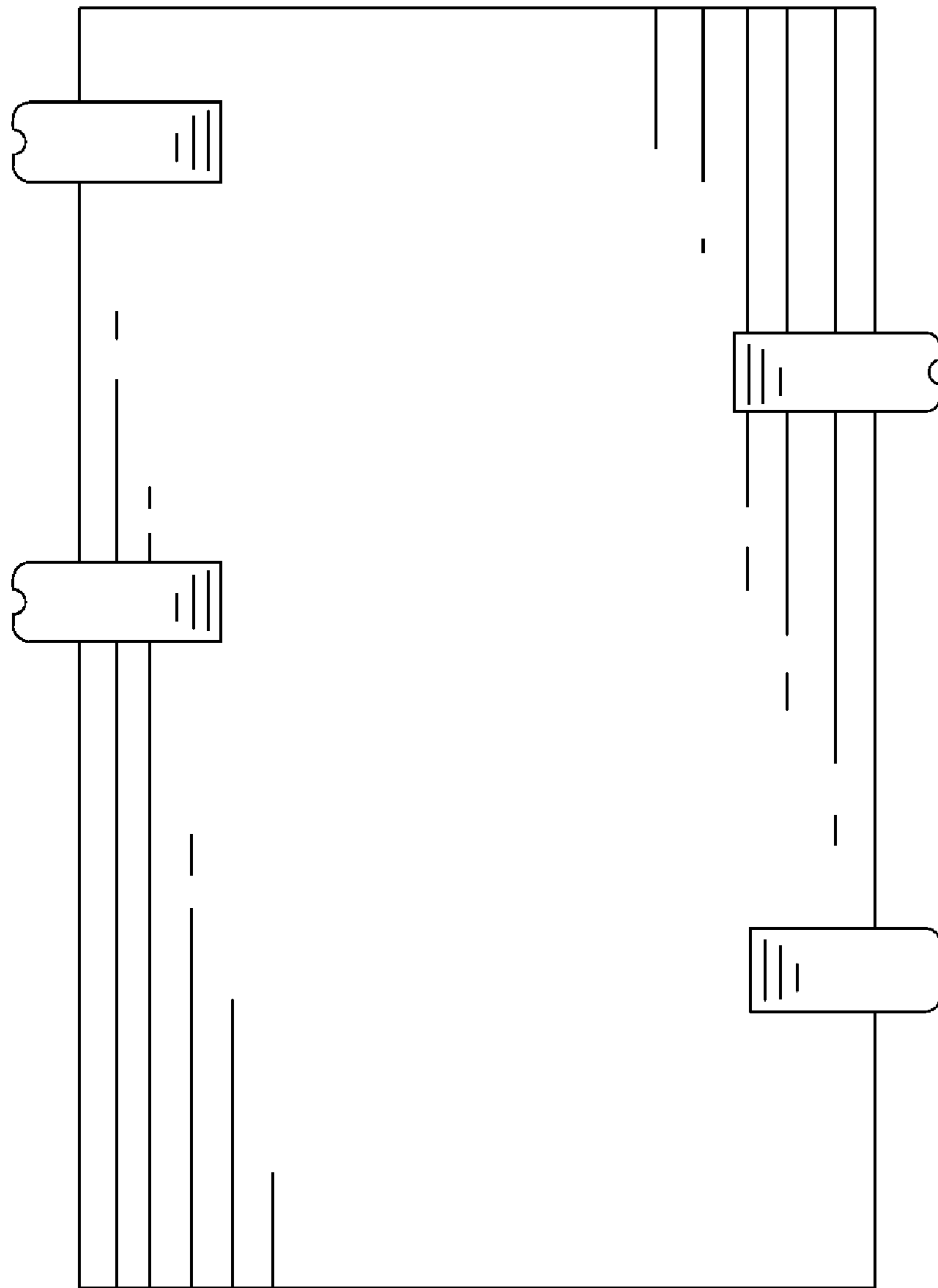


FIG. 7