



US00D632252S

(12) **United States Design Patent**
Guo et al.

(10) **Patent No.:** **US D632,252 S**
(45) **Date of Patent:** **** Feb. 8, 2011**

(54) **ELECTRICAL CONNECTOR**

(75) Inventors: **Jing-Jie Guo**, Shenzhen (CN);
Jin-Liang Du, Shenzhen (CN)

(73) Assignee: **Hon Hai Precision Ind. Co., Ltd.**,
Taipei Hsien (TW)

(**) Term: **14 Years**

(21) Appl. No.: **29/360,733**

(22) Filed: **Apr. 30, 2010**

(30) **Foreign Application Priority Data**

Nov. 2, 2009 (CN) 200930322568

(51) **LOC (9) Cl.** **13-03**

(52) **U.S. Cl.** **D13/147**

(58) **Field of Classification Search** D13/147,
D13/154, 184; 439/188, 607.01, 607.04,
439/607.05, 607.17, 607.25, 607.34, 607.41,
439/607.53, 668, 540.1, 541.5, 939
See application file for complete search history.

(56) **References Cited**

U.S. PATENT DOCUMENTS

- D451,472 S * 12/2001 Suzuki D13/133
- D533,835 S * 12/2006 Lee D13/133
- D534,494 S * 1/2007 Li D13/133
- D534,868 S * 1/2007 Lee D13/133
- D552,032 S * 10/2007 Peng D13/133
- D555,098 S * 11/2007 Wu et al. D13/133
- D558,675 S * 1/2008 Chien et al. D13/133

- D575,232 S * 8/2008 Chiang et al. D13/133
- D576,101 S * 9/2008 Wu et al. D13/133
- D611,414 S * 3/2010 Huang D13/133

FOREIGN PATENT DOCUMENTS

- TW 549908 8/2003
- TW D127372 2/2009

* cited by examiner

Primary Examiner—Daniel D Bui

(74) *Attorney, Agent, or Firm*—Ming Chieh Chang; Wei Te Chung; Andrew C. Cheng

(57) **CLAIM**

The ornamental design for an electrical connector, as shown and described.

DESCRIPTION

FIG. 1 is a front, top and left side perspective view of an electrical connector showing our new design;

FIG. 2 is a front elevational view thereof;

FIG. 3 is a rear elevational view thereof;

FIG. 4 is a left side elevational view thereof;

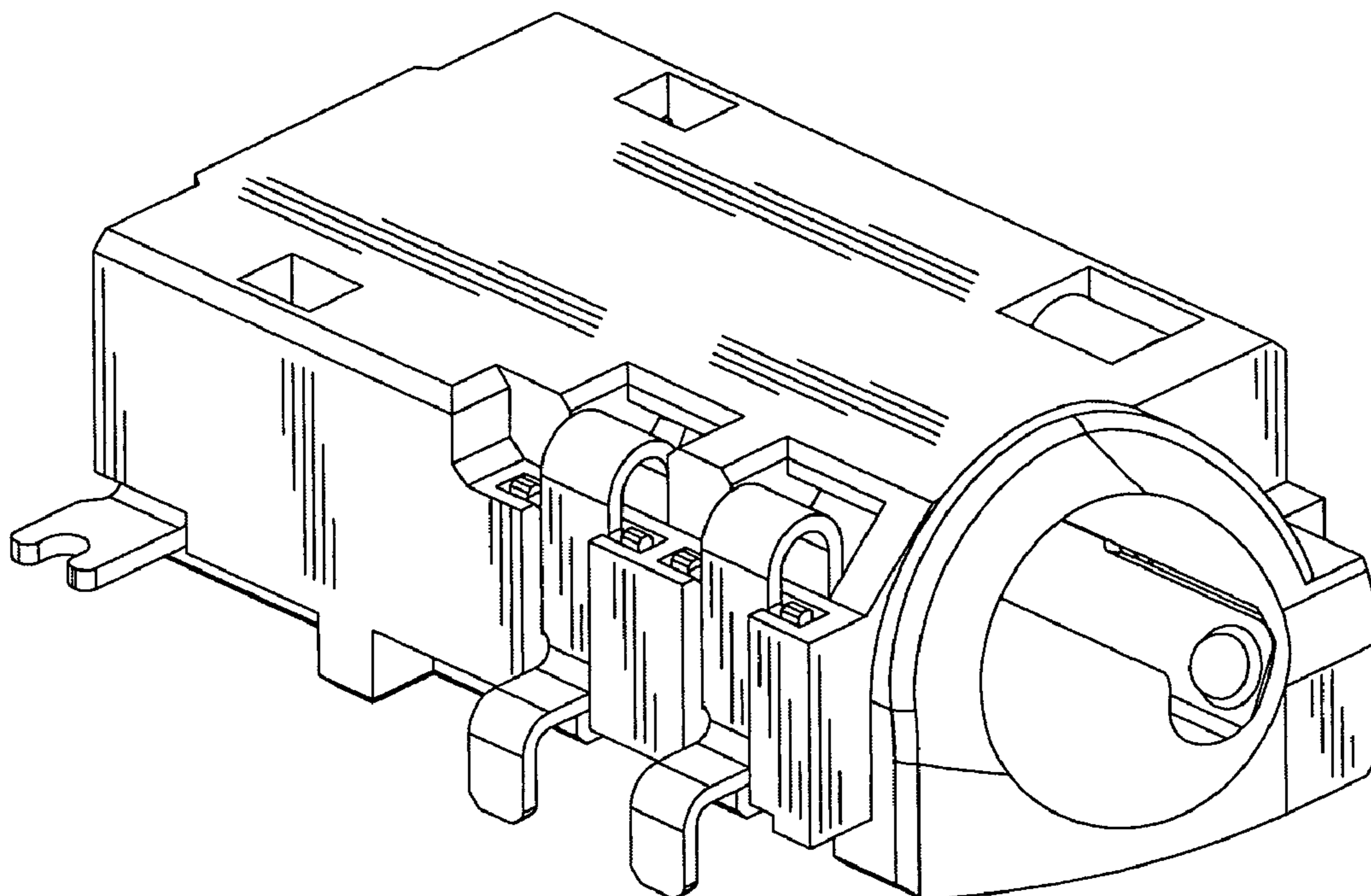
FIG. 5 is a right side elevational view thereof;

FIG. 6 is a top plan view thereof; and,

FIG. 7 is a bottom plan view thereof.

The broken line portion of the figure drawings is included to show unclaimed subject matter only and forms no part of the claimed design.

1 Claim, 7 Drawing Sheets



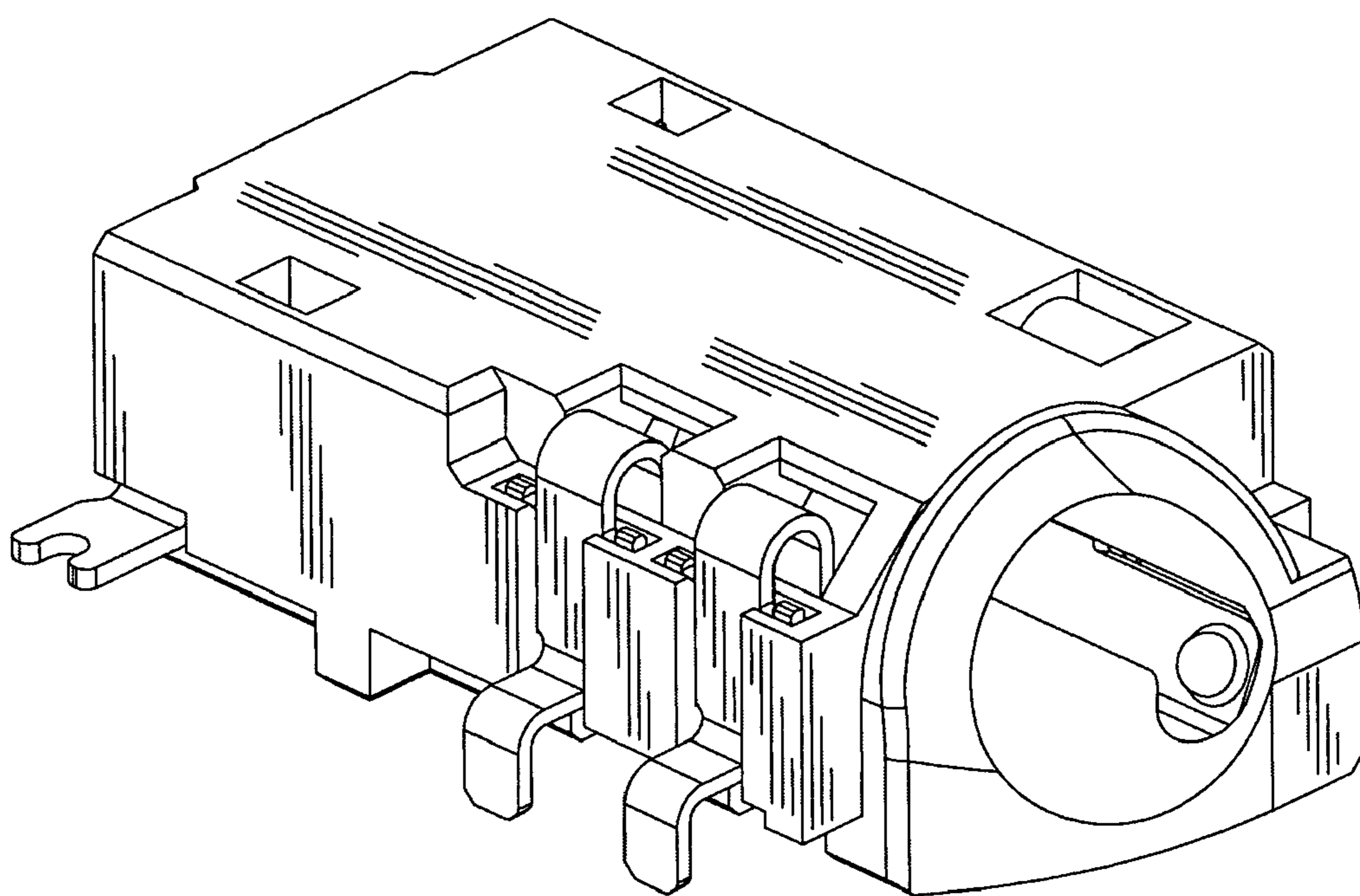


FIG. 1

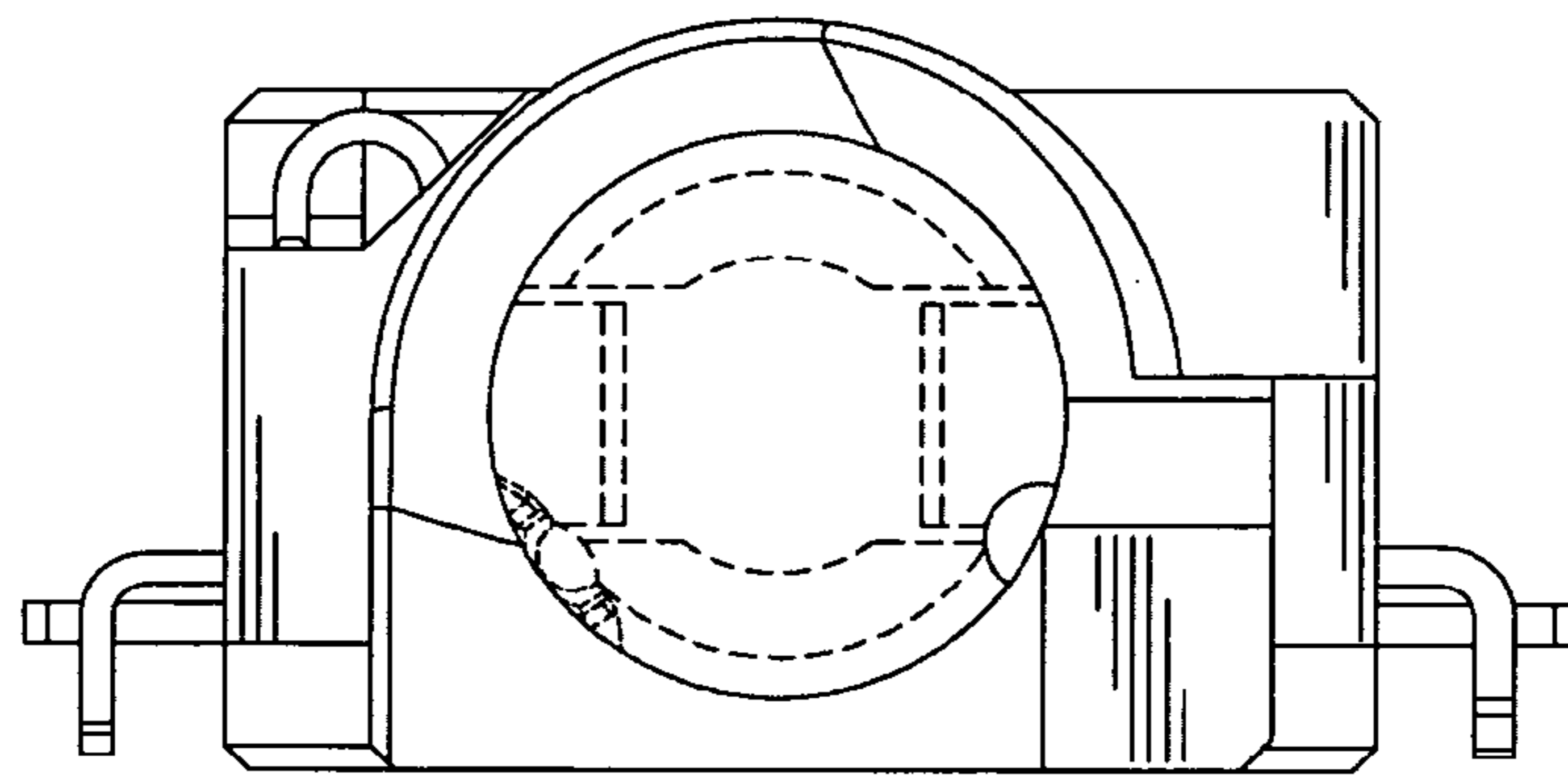


FIG. 2

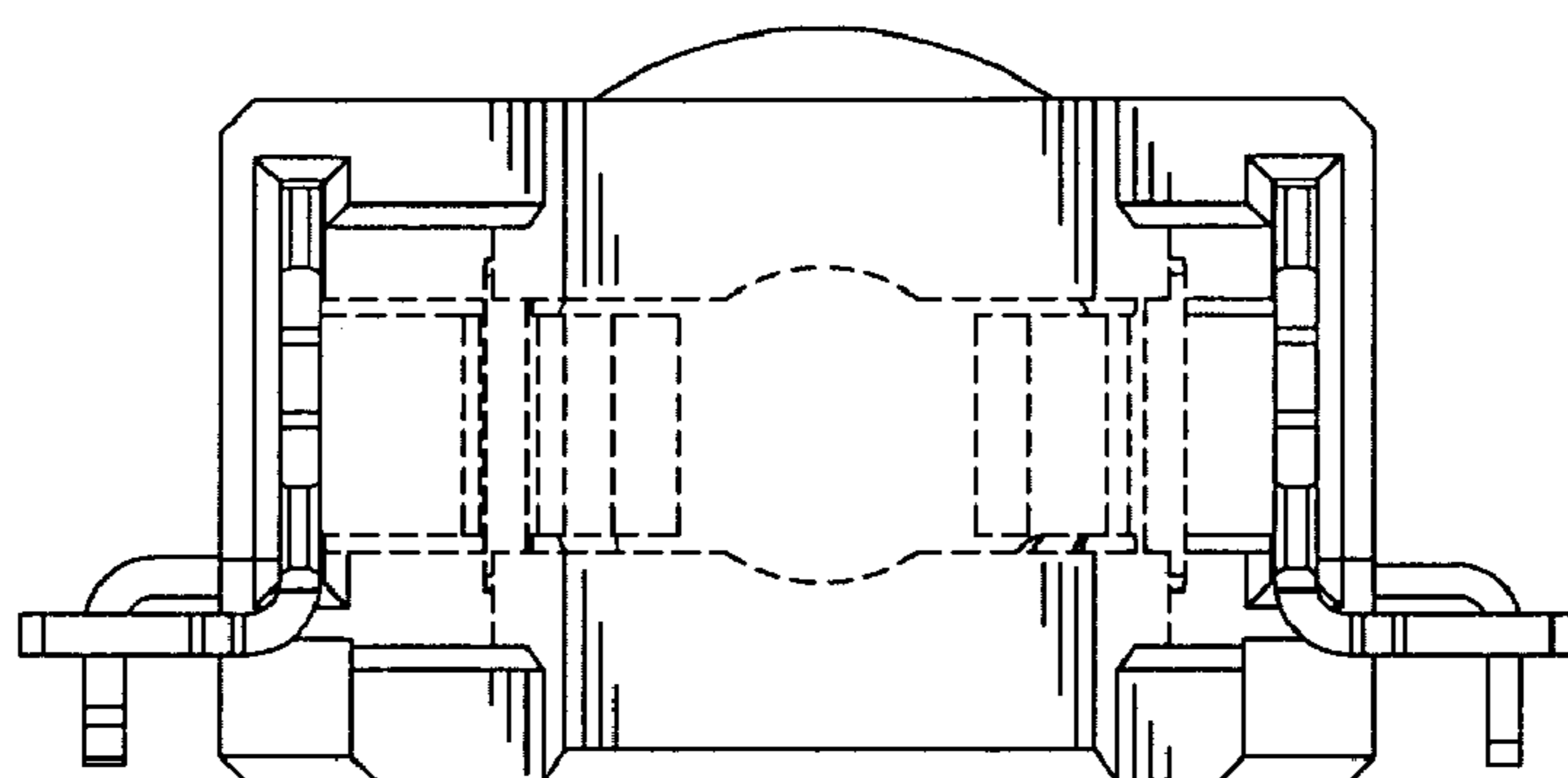


FIG. 3

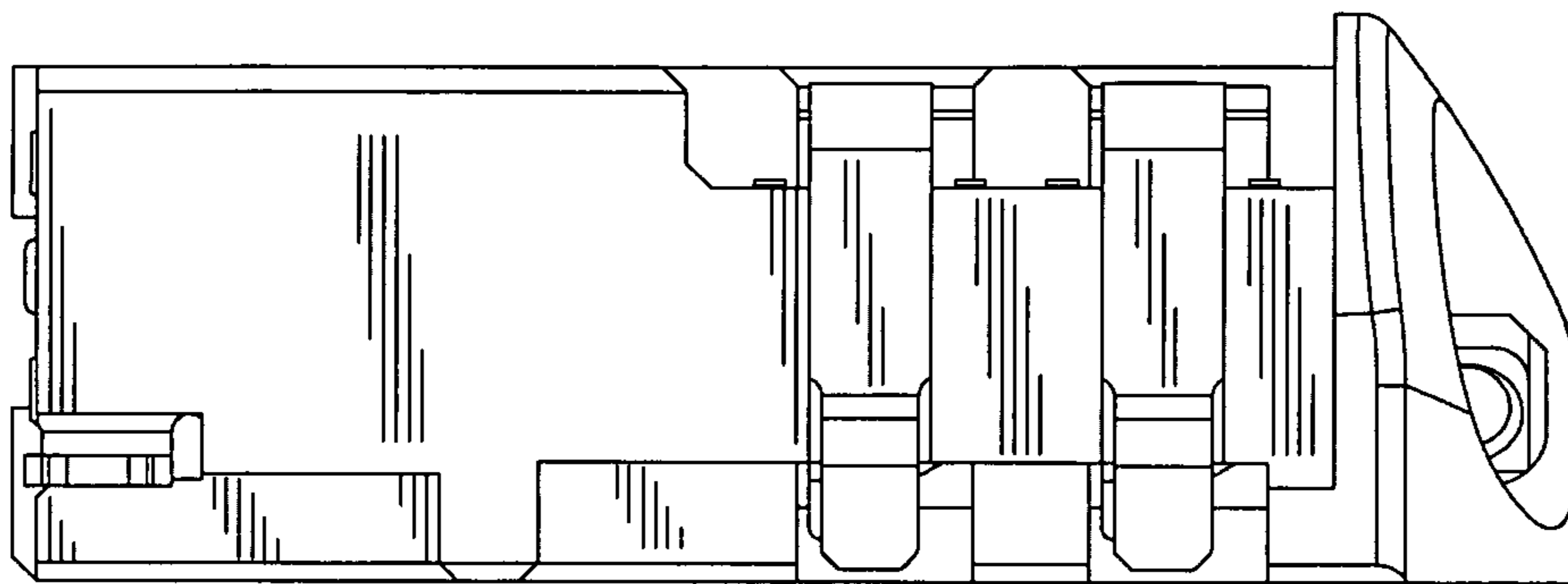


FIG. 4

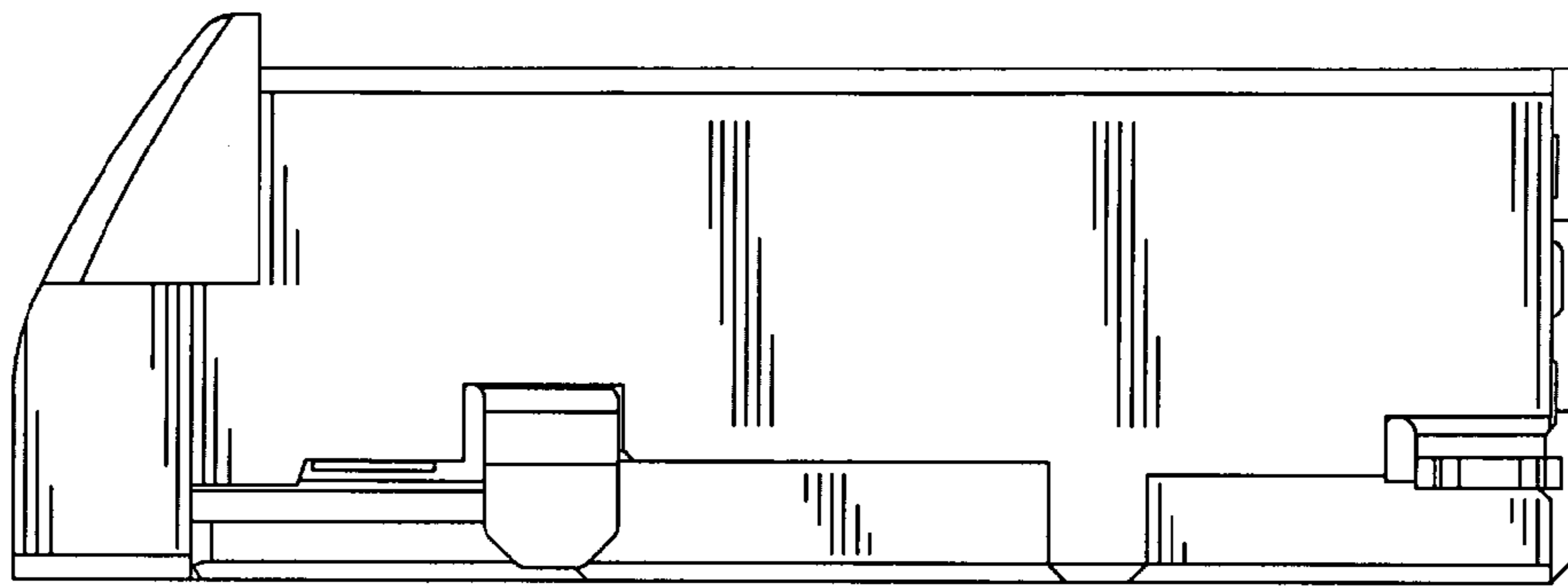


FIG. 5

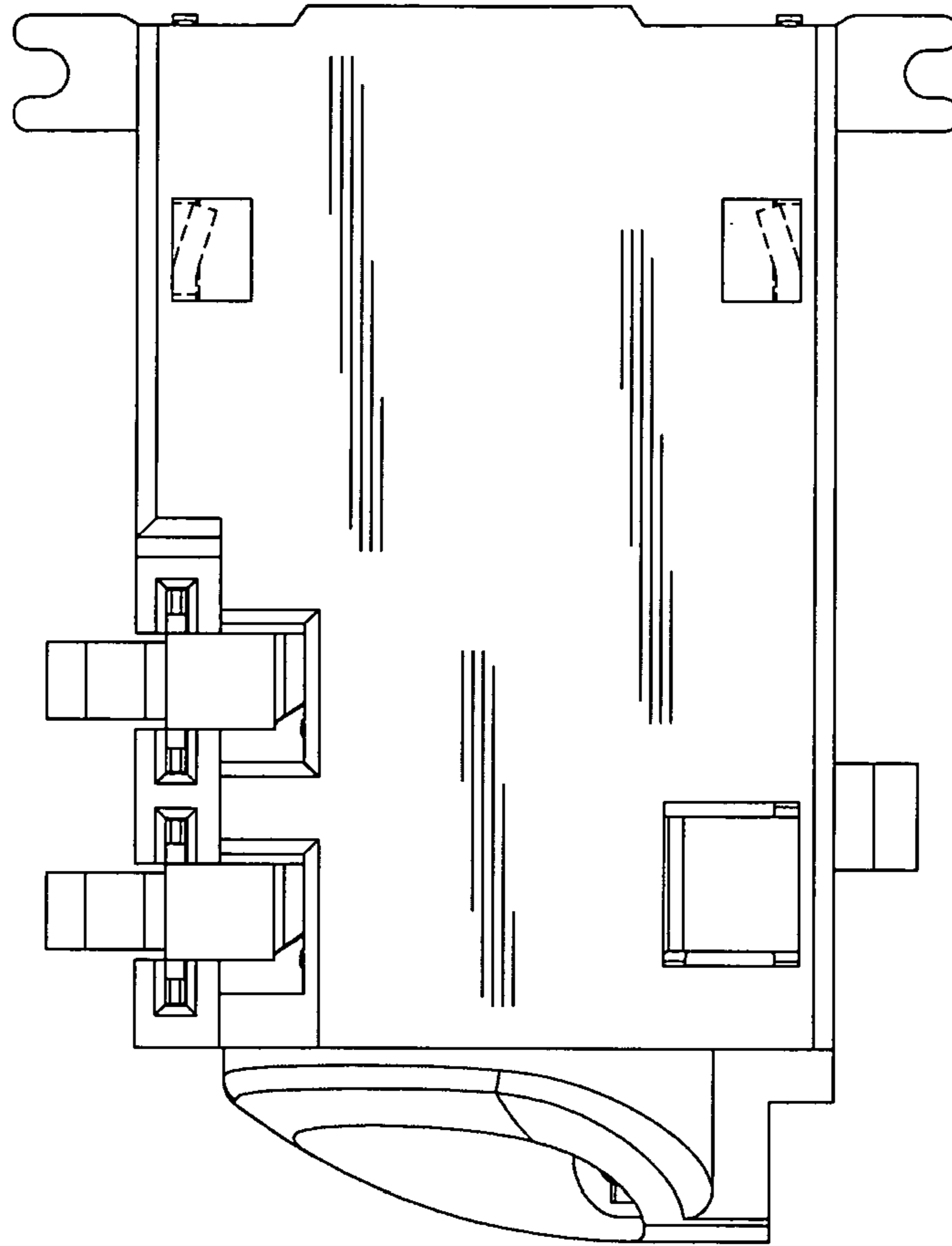


FIG. 6

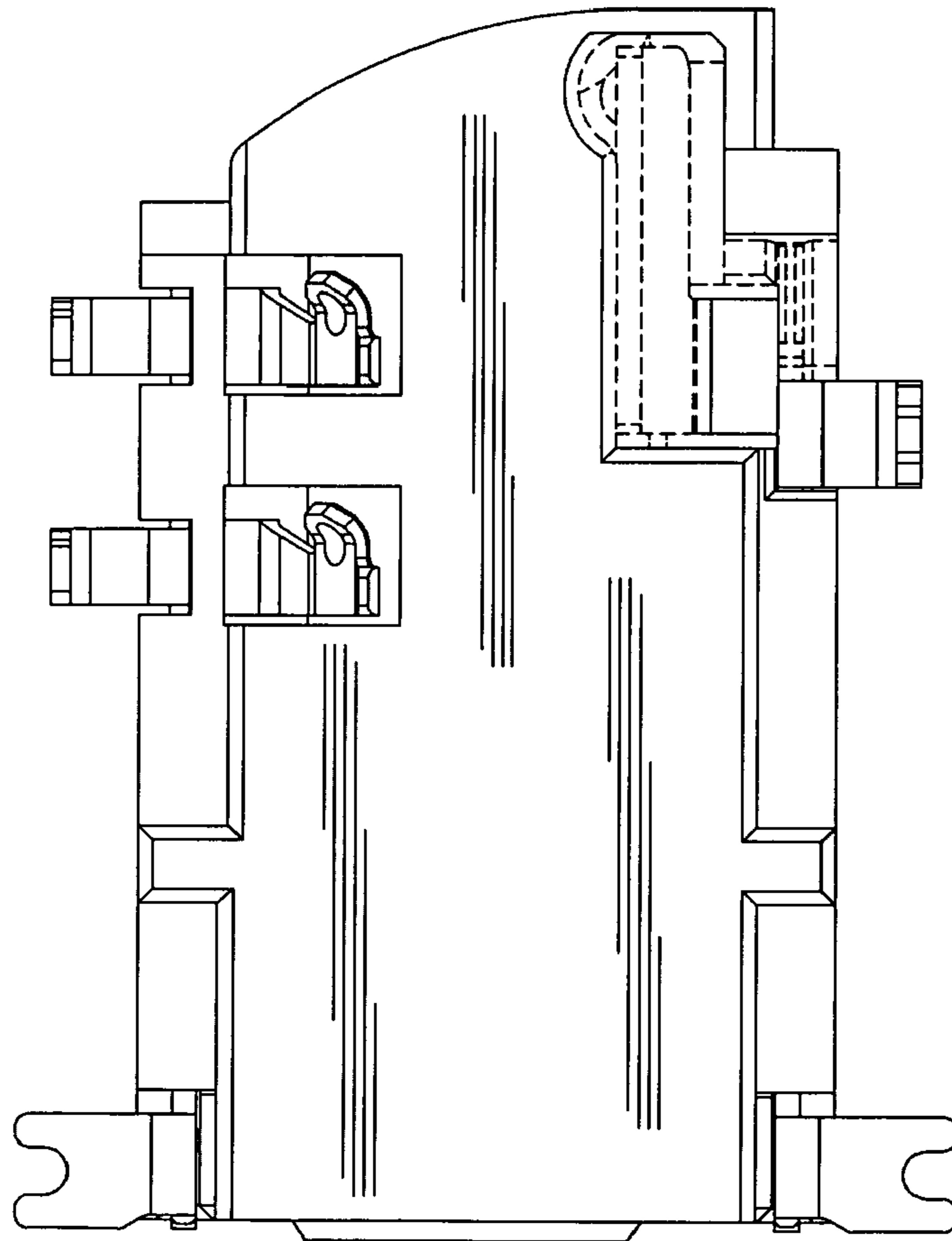


FIG. 7