



US00D632251S

(12) **United States Design Patent**
Chen

(10) **Patent No.:** **US D632,251 S**

(45) **Date of Patent:** **** Feb. 8, 2011**

(54) **AUDIO JACK CONNECTOR**

(75) Inventor: **Chung-Yu Chen**, Tu-Cheng (TW)

(73) Assignee: **Cheng Uei Precision Industry Co., Ltd.**, Tu-Cheng, Taipei Hsien (TW)

(**) Term: **14 Years**

(21) Appl. No.: **29/342,593**

(22) Filed: **Aug. 27, 2009**

(51) **LOC (9) Cl.** **13-03**

(52) **U.S. Cl.** **D13/147**

(58) **Field of Classification Search** D13/147,
D13/154, 184; 439/188, 607.01, 607.04,
439/607.05, 607.17, 607.25, 607.34, 607.41,
439/607.53, 668, 540.1, 541.5, 939
See application file for complete search history.

(56) **References Cited**

U.S. PATENT DOCUMENTS

D451,472 S *	12/2001	Suzuki	D13/133
D533,835 S *	12/2006	Lee	D13/133
D534,494 S *	1/2007	Li	D13/133
D534,868 S *	1/2007	Lee	D13/133
D552,032 S *	10/2007	Peng	D13/133
D555,098 S *	11/2007	Wu et al.	D13/133

D558,675 S *	1/2008	Chien et al.	D13/133
D575,232 S *	8/2008	Chiang et al.	D13/133
D576,101 S *	9/2008	Wu et al.	D13/133
D611,414 S *	3/2010	Huang	D13/133

* cited by examiner

Primary Examiner—Daniel D Bui

(74) *Attorney, Agent, or Firm*—Cheng-Ju Chang

(57) **CLAIM**

The ornamental design for an audio jack connector, as shown and described.

DESCRIPTION

FIG. 1 is a perspective view of an audio jack connector showing my new design;

FIG. 2 is a front elevational view thereof;

FIG. 3 is a rear elevational view thereof;

FIG. 4 is a left side elevational view thereof;

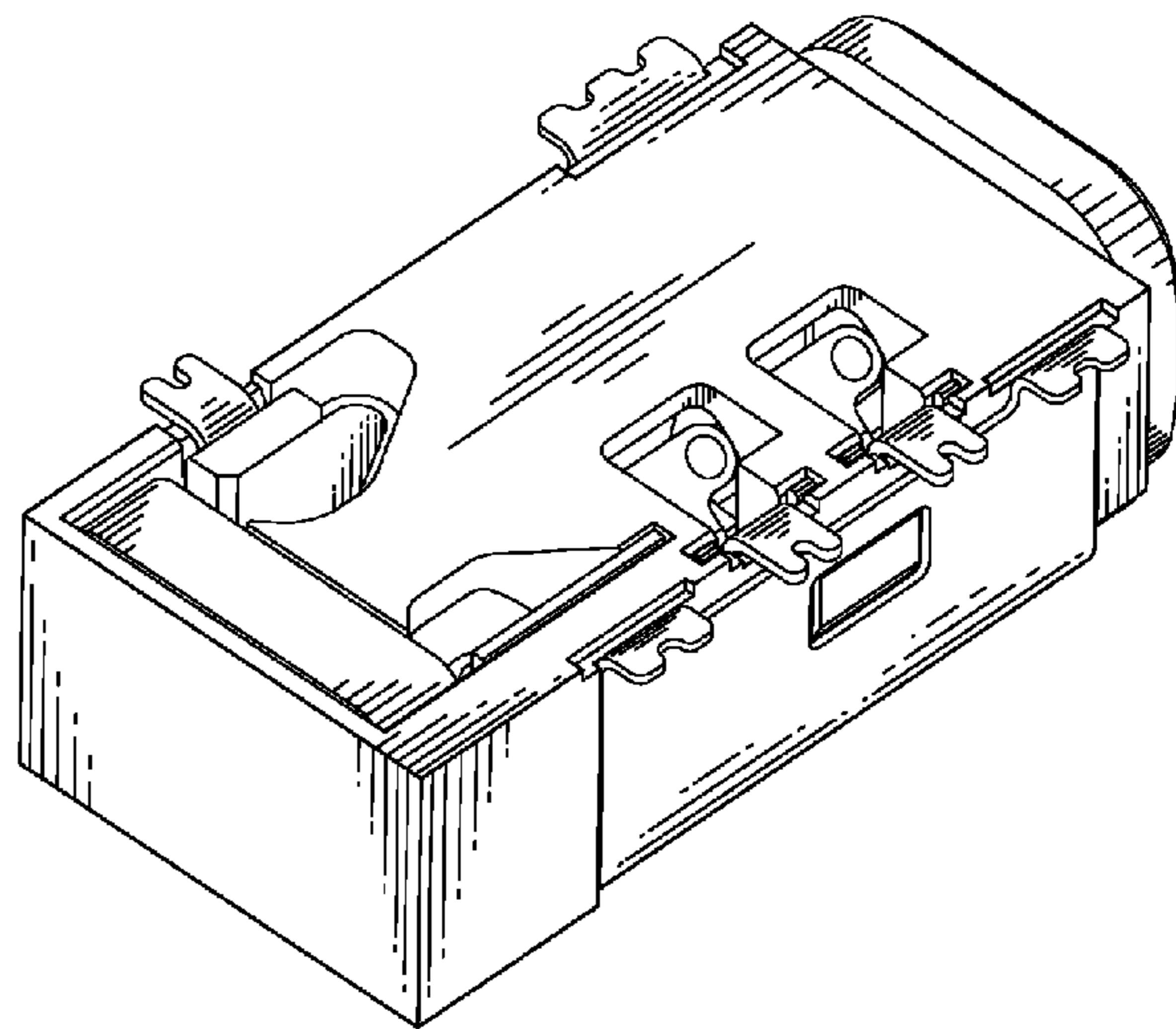
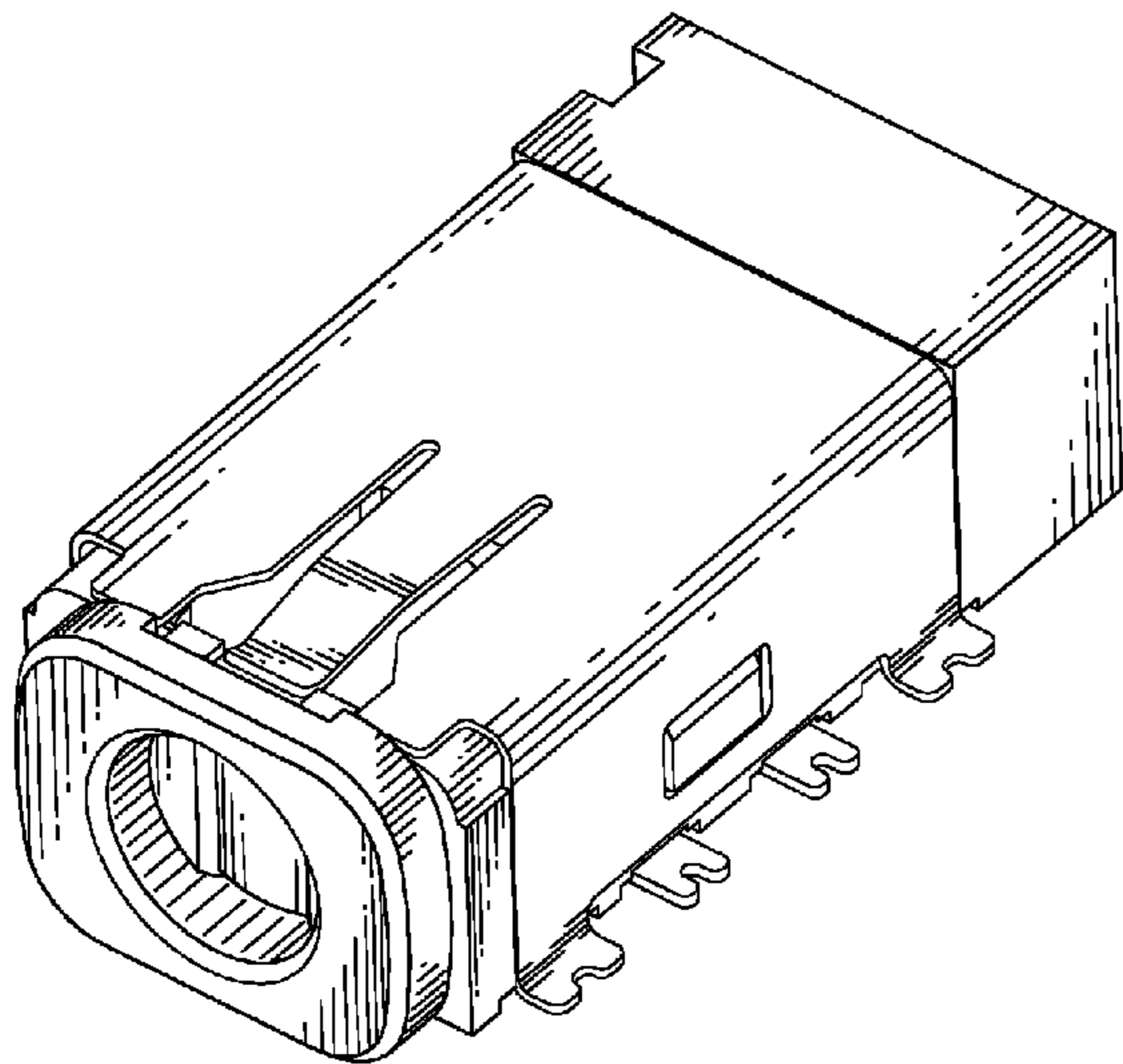
FIG. 5 is a right side elevational view thereof;

FIG. 6 is a top plan view thereof;

FIG. 7 is a bottom plan view thereof; and,

FIG. 8 is another perspective view of an audio jack connector showing my new design.

1 Claim, 8 Drawing Sheets



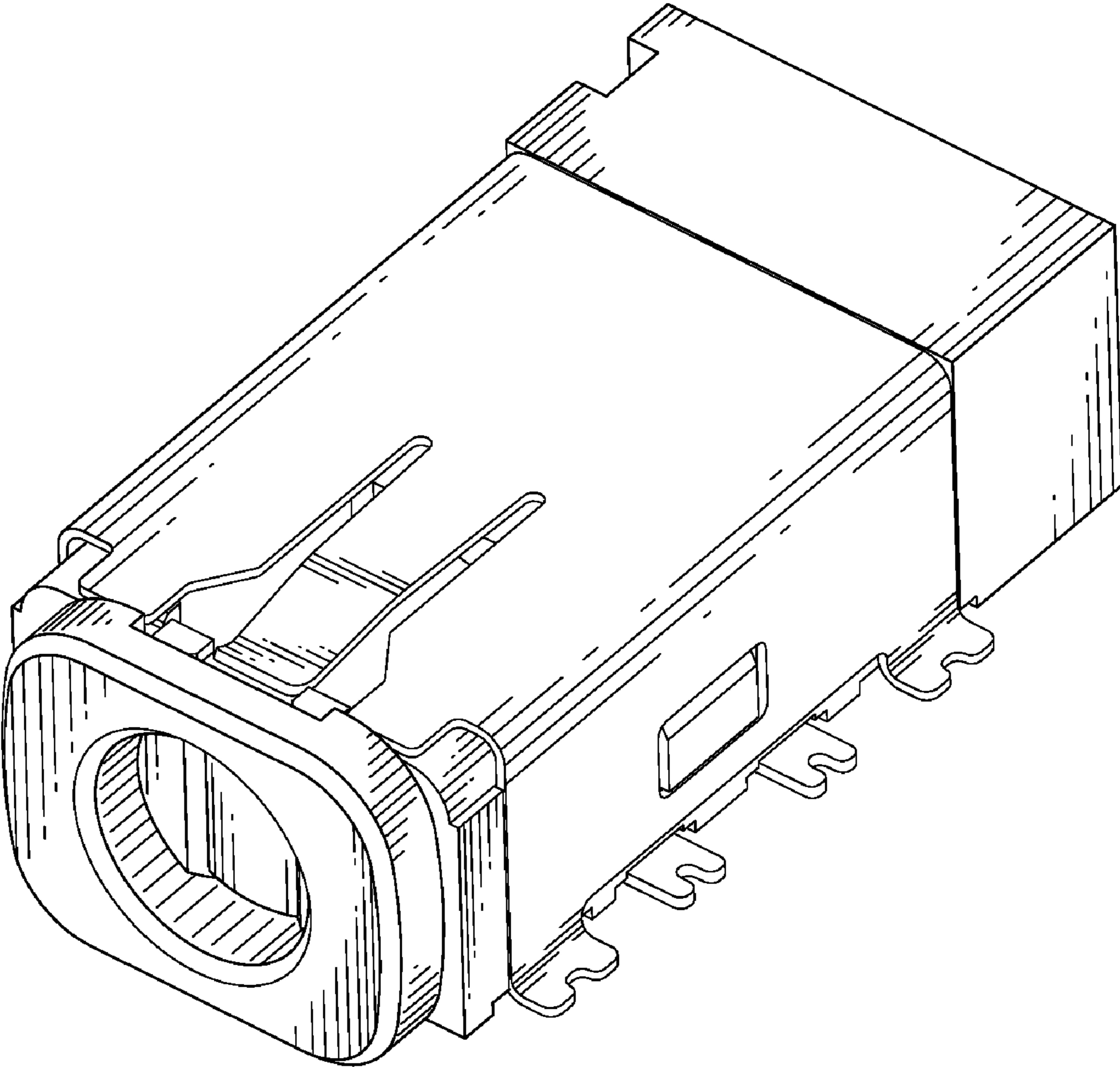


FIG. 1

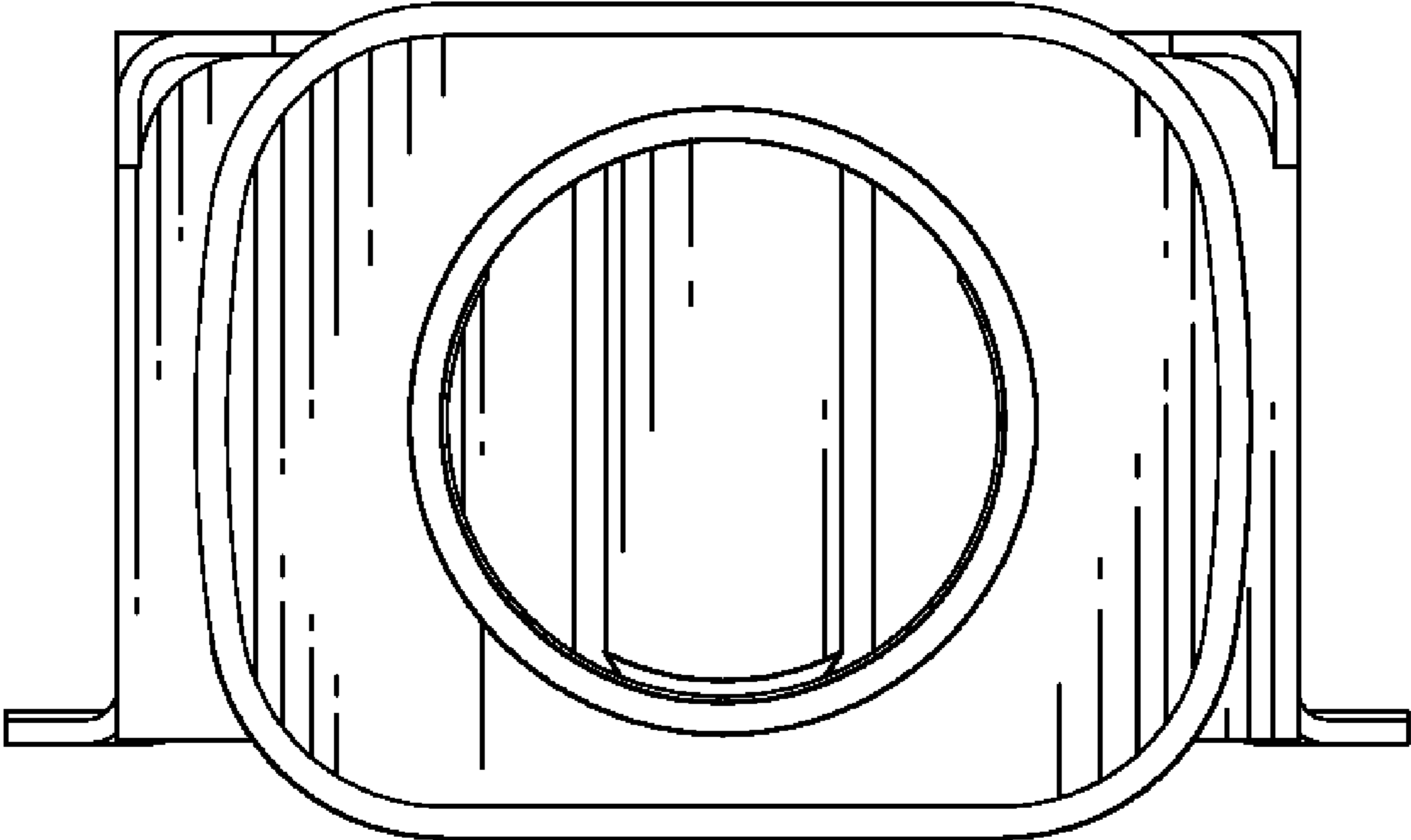


FIG. 2

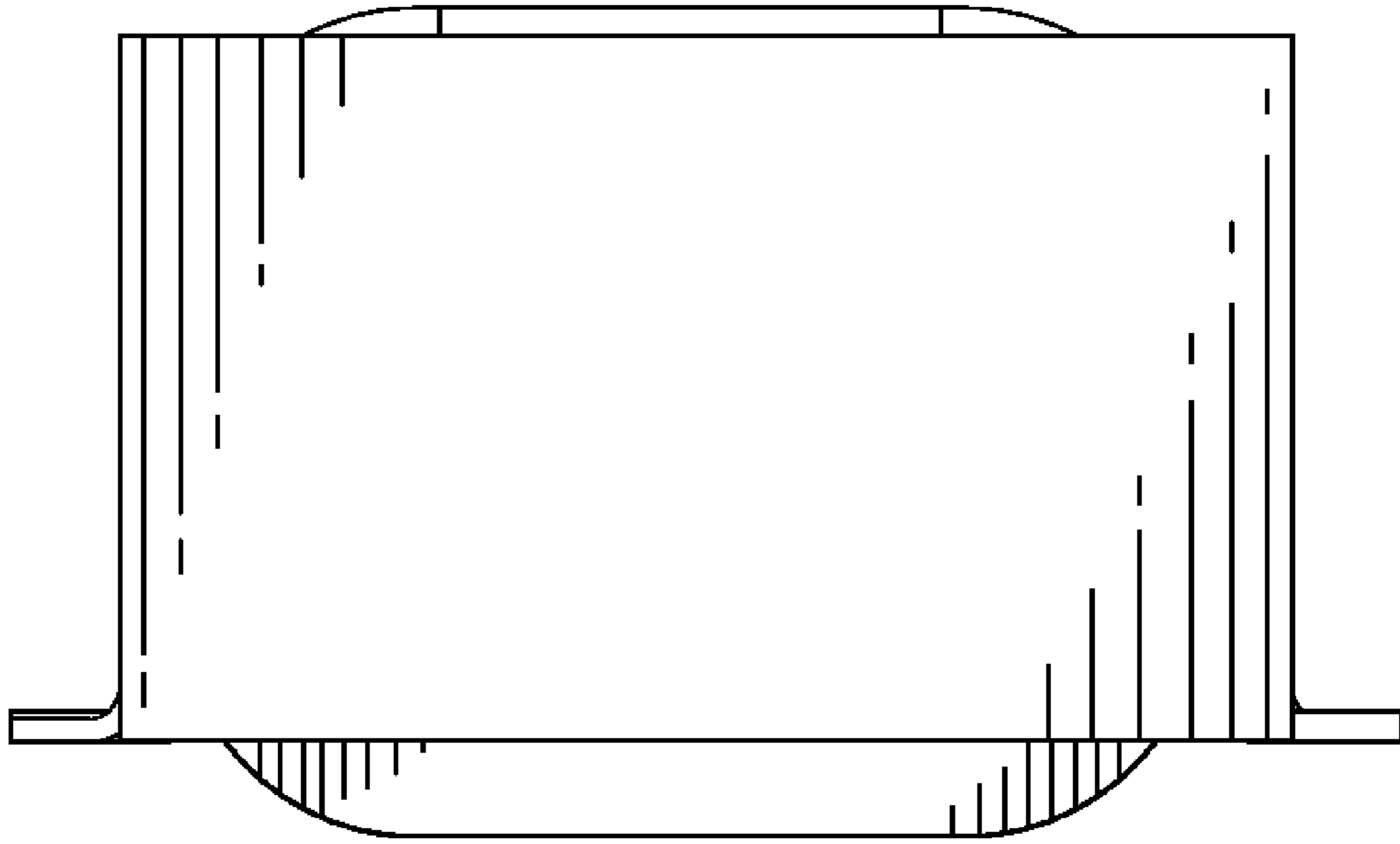


FIG. 3

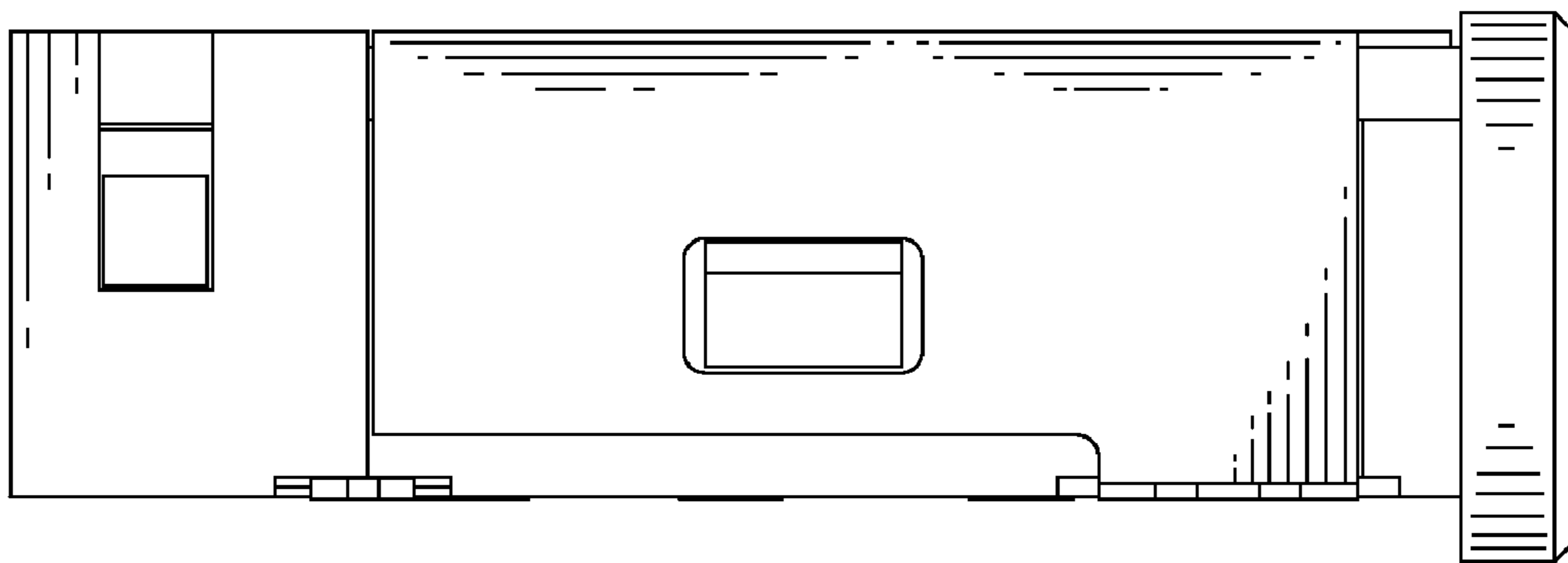


FIG. 4

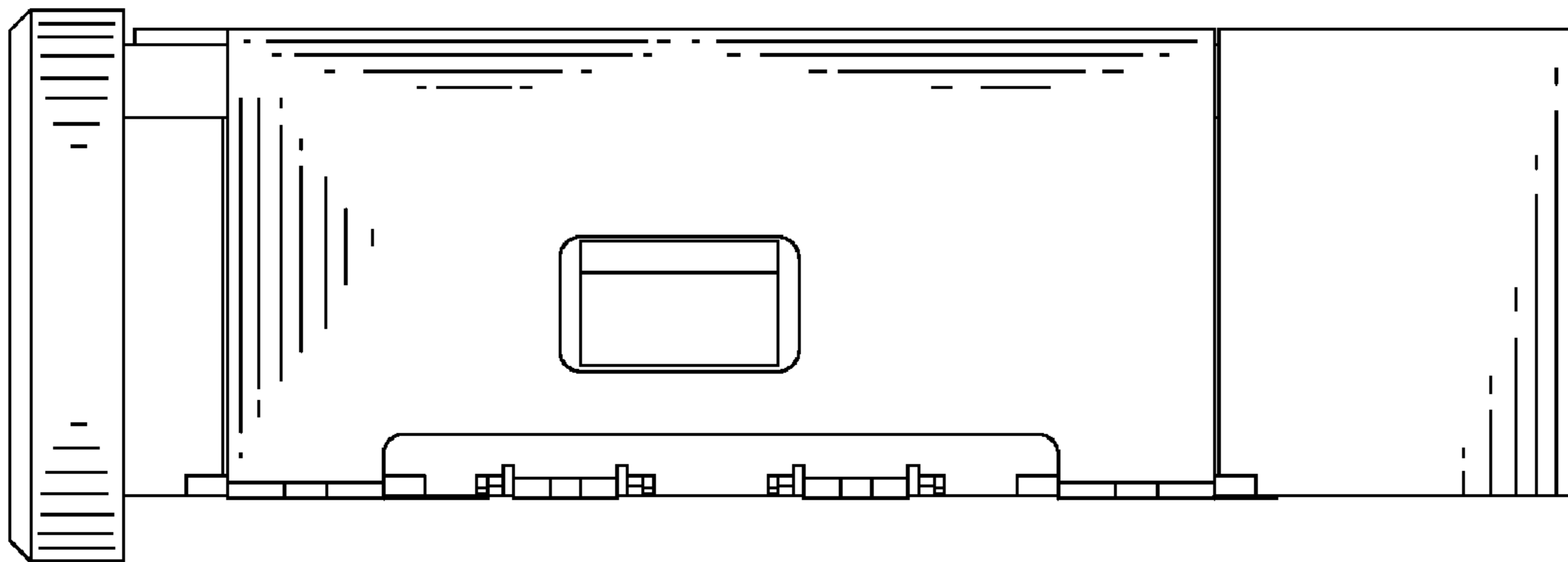


FIG. 5

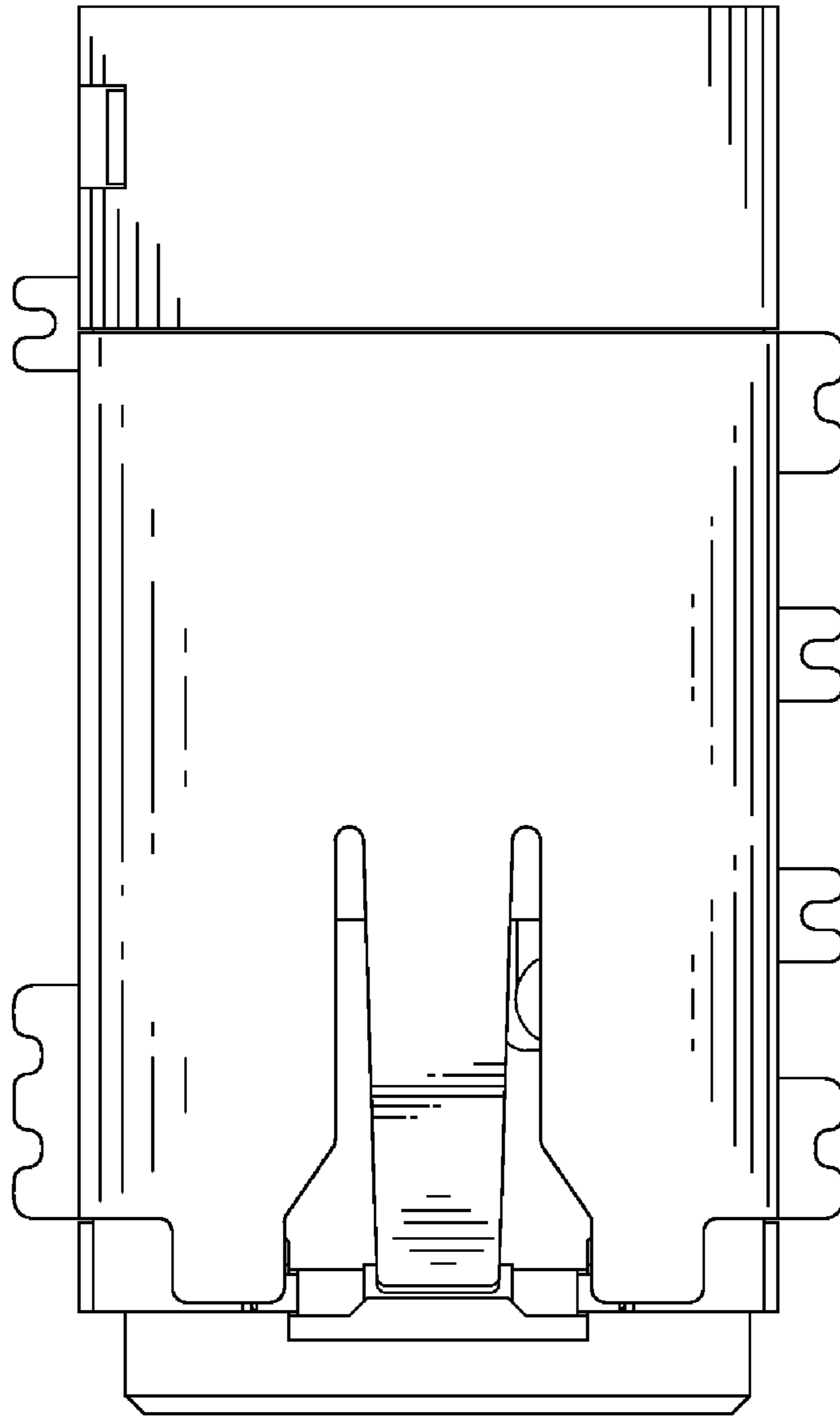


FIG. 6

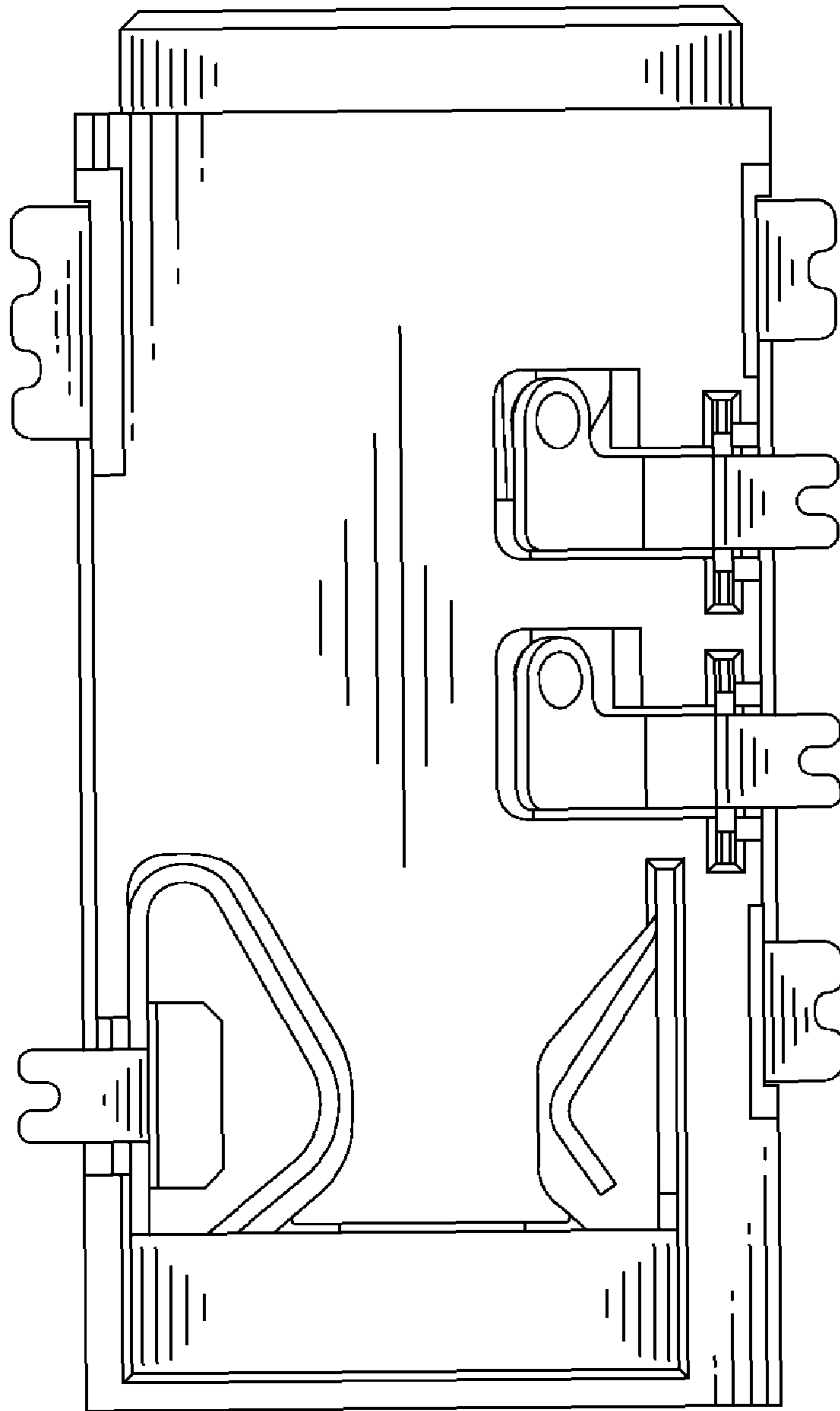


FIG. 7

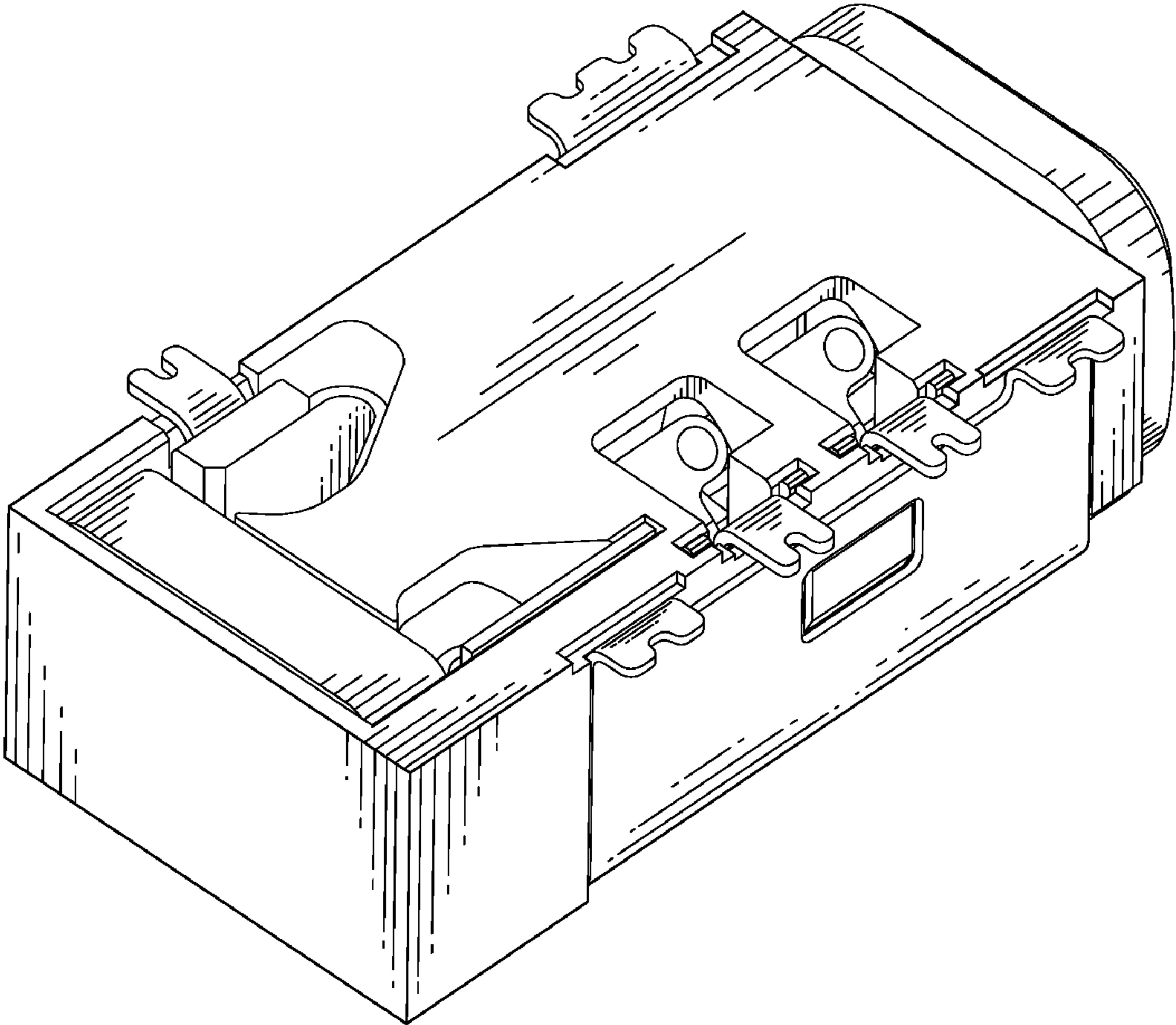


FIG. 8