



US00D632246S

(12) **United States Design Patent**  
**Park**

(10) **Patent No.:** **US D632,246 S**

(45) **Date of Patent:** **\*\* Feb. 8, 2011**

(54) **SILICON WAFER FOR SOLAR BATTERY**

(76) **Inventor:** **Rin-Soon Park**, Yongsang APT 1-401,  
150-3 Wonjong-dong, Ojeong-gu,  
Bucheon-si, Gyeonggi-do (KR) 421-200

(\*\*) **Term:** **14 Years**

(21) **Appl. No.:** **29/337,439**

(22) **Filed:** **May 21, 2009**

(30) **Foreign Application Priority Data**

Nov. 22, 2008 (KR) ..... 30-2008-0050316

(51) **LOC (9) Cl.** ..... **13-02**

(52) **U.S. Cl.** ..... **D13/102**

(58) **Field of Classification Search** ..... D13/102,  
D13/101, 119, 182, 184, 199; D1/126, 127,  
D1/128, 199; D5/47, 53; D11/1, 4; D25/139,  
D25/141, 153; D32/40; 136/206, 252, 255;  
438/80, 81, 93

See application file for complete search history.

(56) **References Cited**

**U.S. PATENT DOCUMENTS**

D29,311 S \* 9/1898 Murray ..... D18/56  
D33,723 S \* 12/1900 Taylor ..... D5/53  
814,970 A \* 3/1906 Leusch ..... 52/536  
3,441,001 A \* 4/1969 Fisher ..... 119/709  
D243,359 S \* 2/1977 Nevrous ..... D11/4  
D262,962 S \* 2/1982 Strumpell ..... D13/182  
D267,828 S \* 2/1983 Cohen ..... D5/53

D311,628 S \* 10/1990 Scali et al. .... D1/126  
D320,091 S \* 9/1991 Paquette ..... D25/139  
D448,722 S \* 10/2001 Drummond ..... D13/102  
D453,977 S \* 2/2002 Park et al. .... D30/160  
D468,949 S \* 1/2003 Howard ..... D6/569  
D473,327 S \* 4/2003 Lynch ..... D25/141  
6,663,944 B2 \* 12/2003 Park et al. .... 428/156  
D506,299 S \* 6/2005 Chumley ..... D32/40  
D521,658 S \* 5/2006 Gulbrandsen ..... D25/153  
D530,933 S \* 10/2006 Vitaro ..... D6/361  
D538,449 S \* 3/2007 Gulbrandsen ..... D25/153

\* cited by examiner

*Primary Examiner*—Prabhakar Deshmukh

*Assistant Examiner*—Derrick Holland

(74) *Attorney, Agent, or Firm*—Park & Associates IP Law  
LLC

(57) **CLAIM**

The ornamental design for a silicon wafer for solar battery, as  
shown and described.

**DESCRIPTION**

FIG. 1 is a perspective view of a silicon wafer for solar battery  
showing my new design;

FIG. 2 is a front elevational view thereof, the rear elevational  
view being a mirror image;

FIG. 3 is a side elevational view thereof, the opposite side  
being a mirror image; and,

FIG. 4 is a top plan view thereof.

**1 Claim, 2 Drawing Sheets**

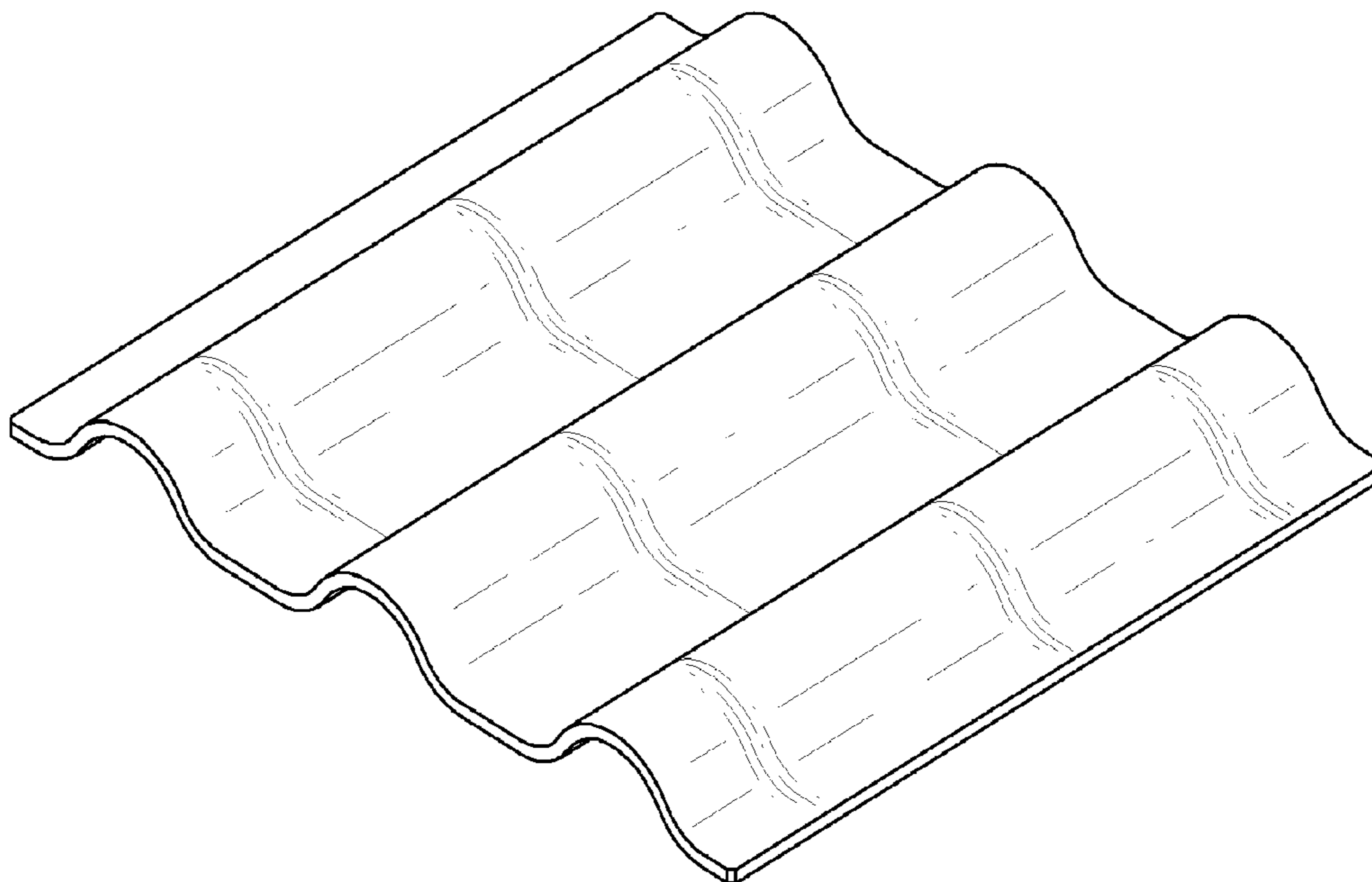


FIG. 1

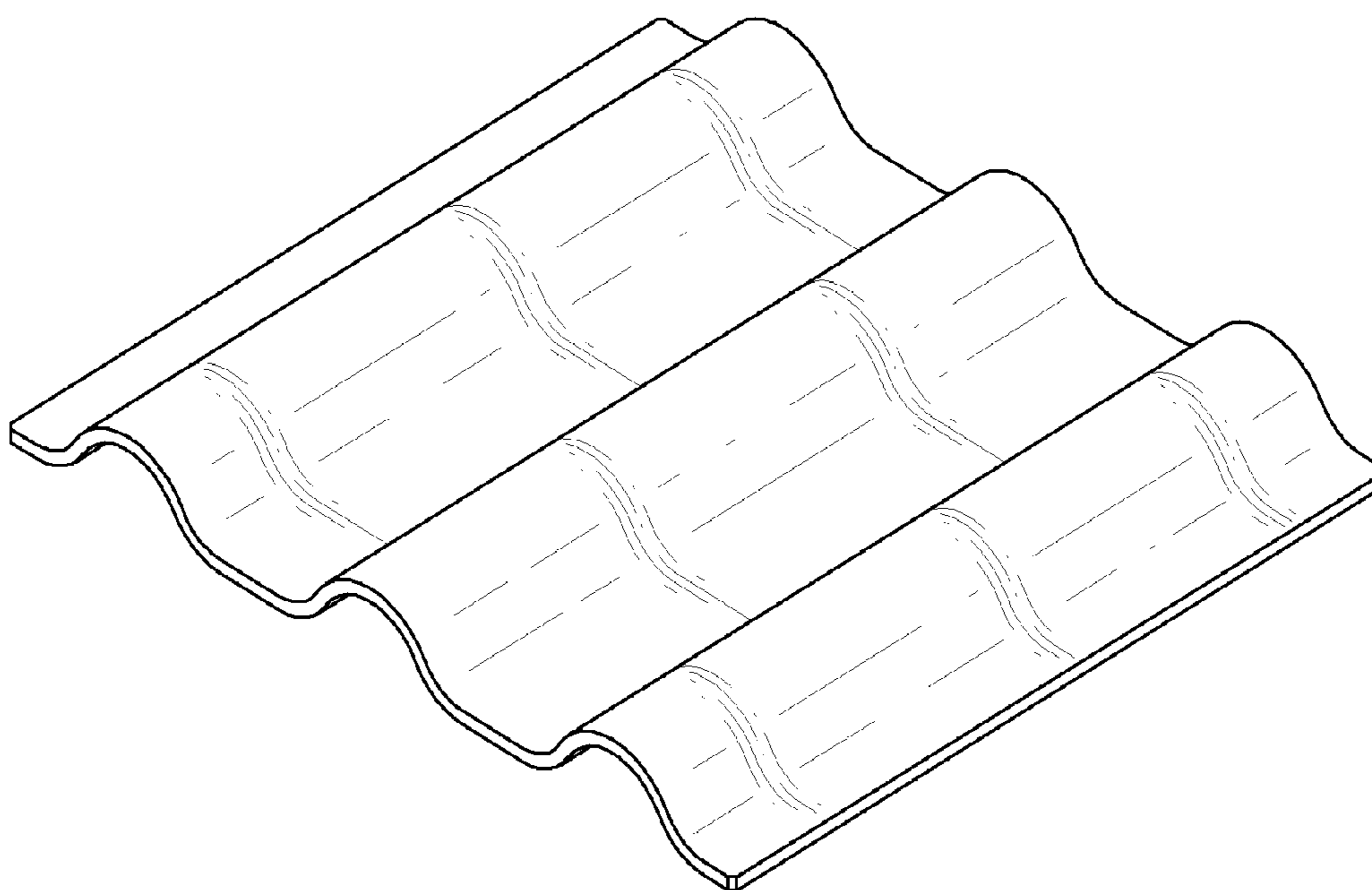


FIG. 2



FIG. 3

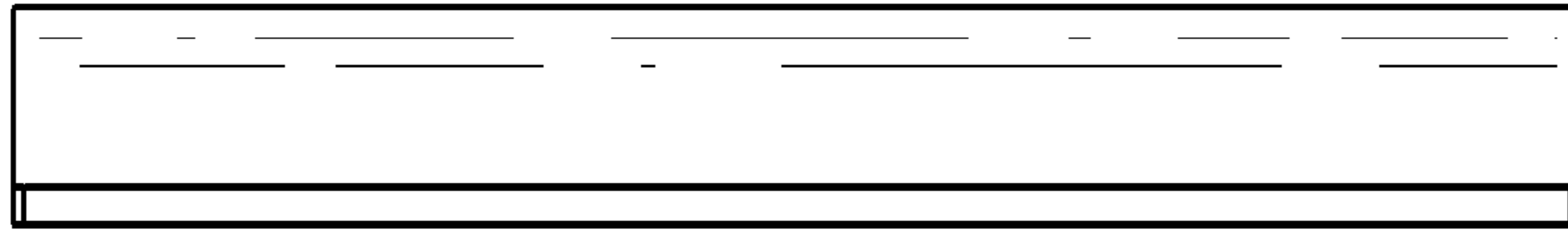


FIG. 4

