



US00D632240S

(12) **United States Design Patent**
Szews

(10) **Patent No.:** **US D632,240 S**

(45) **Date of Patent:** **** *Feb. 8, 2011**

(54) **WHEEL OR WHEEL COVER**

(75) Inventor: **Krzysztof Szews, Munich (DE)**

(73) Assignee: **Bayerische Motoren Werke
Aktiengesellschaft, Munich (DE)**

(**) Term: **14 Years**

(21) Appl. No.: **29/361,065**

(22) Filed: **May 5, 2010**

(30) **Foreign Application Priority Data**

Nov. 6, 2009 (DE) 402009005430

(51) **LOC (9) Cl.** **12-16**

(52) **U.S. Cl.** **D12/211**

(58) **Field of Classification Search** D12/204-213;
301/37.101, 64.101, 65, 64.201
See application file for complete search history.

(56) **References Cited**

U.S. PATENT DOCUMENTS

D421,953 S *	3/2000	Sims et al.	D12/211
D470,093 S	2/2003	Frizzi	
D499,681 S	12/2004	Boyer	
D500,005 S *	12/2004	van Hooydonk	D12/211
D526,948 S *	8/2006	Truebsbach	D12/211
D527,330 S *	8/2006	Madden	D12/211
D527,333 S *	8/2006	Blasi	D12/211
D569,777 S *	5/2008	Chung	D12/211
D578,455 S *	10/2008	Pfeiffer	D12/211
D585,010 S *	1/2009	Pollmann	D12/211
D593,020 S *	5/2009	Blasi	D12/211
D593,922 S *	6/2009	Blasi	D12/211

D596,552 S *	7/2009	Beermann	D12/211
D598,357 S *	8/2009	Chung	D12/211
D613,230 S *	4/2010	Antoniadis et al.	D12/211
D617,250 S *	6/2010	Zhao	D12/211
D617,715 S *	6/2010	Gallert	D12/211
D617,719 S *	6/2010	Zhao	D12/211
D618,156 S *	6/2010	Zhao	D12/211
D619,952 S *	7/2010	Juergens et al.	D12/211

FOREIGN PATENT DOCUMENTS

DE	40010998.0	3/2001
DE	40104441.6	9/2001
EM	000032438-0007	10/2003
EM	000624812-0005	3/2008
EM	000997572-0007	10/2008

* cited by examiner

Primary Examiner—Stacia Cadmus

(74) *Attorney, Agent, or Firm*—Crowell & Moring LLP

(57) **CLAIM**

The ornamental design for a wheel or wheel cover, as shown and described.

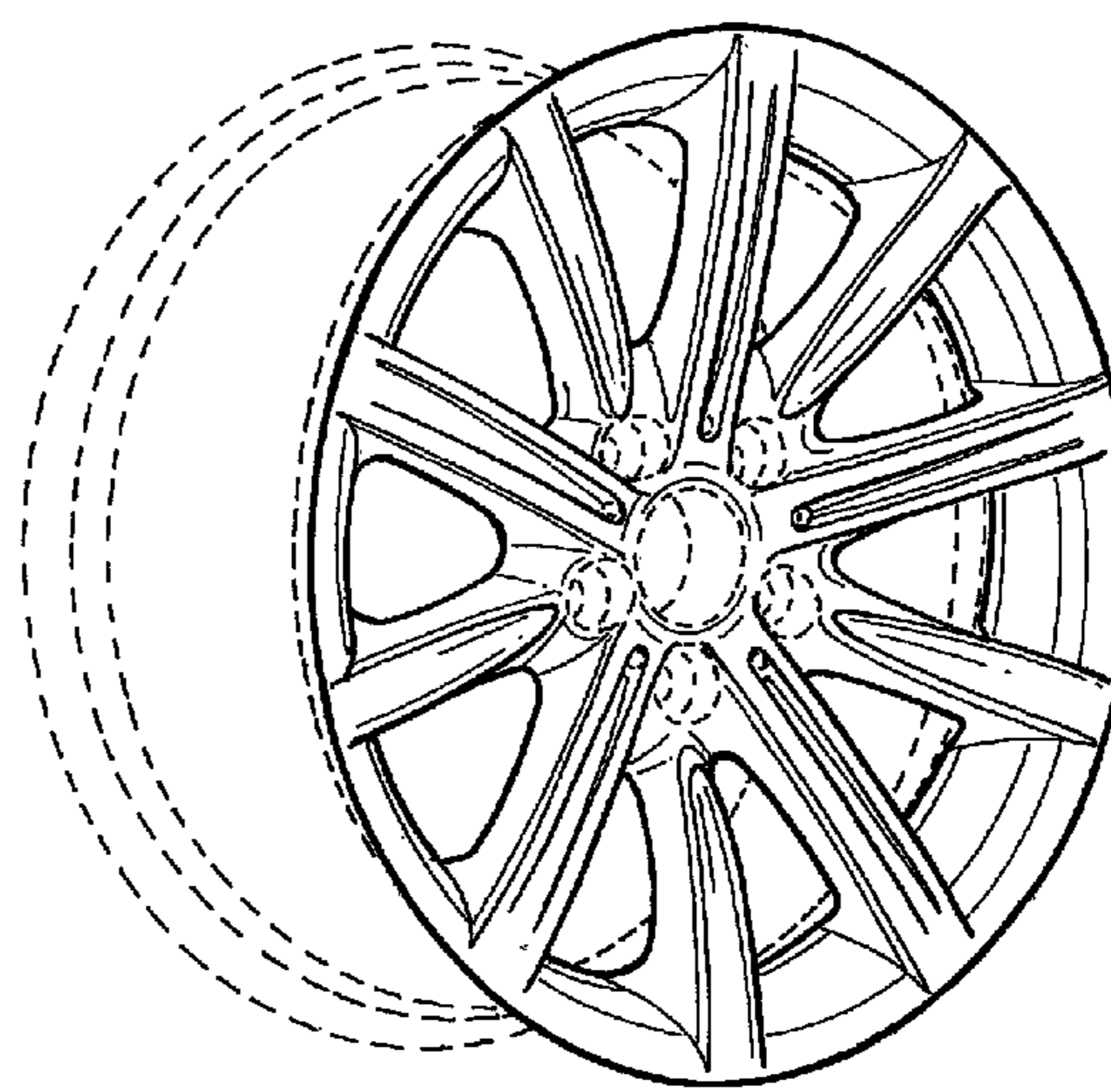
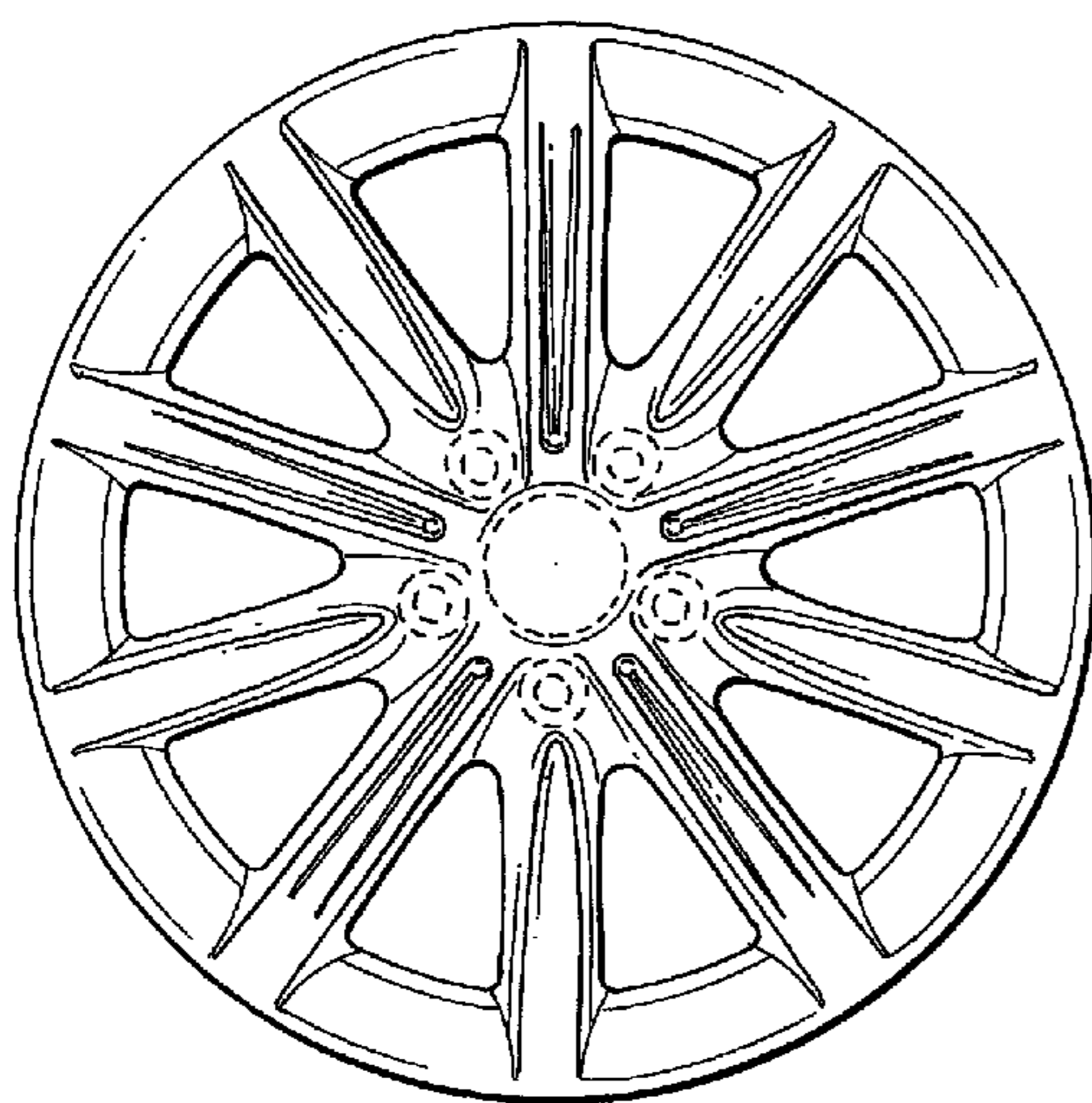
DESCRIPTION

FIG. 1 is a front view of a wheel or wheel cover according to my design; and,

FIG. 2 is a perspective view thereof.

The broken line showing of the rear of the rim and the bolt holes and center hole in the central hub area is included for the purpose of illustrating environment and forms no part of the claimed design.

1 Claim, 1 Drawing Sheet



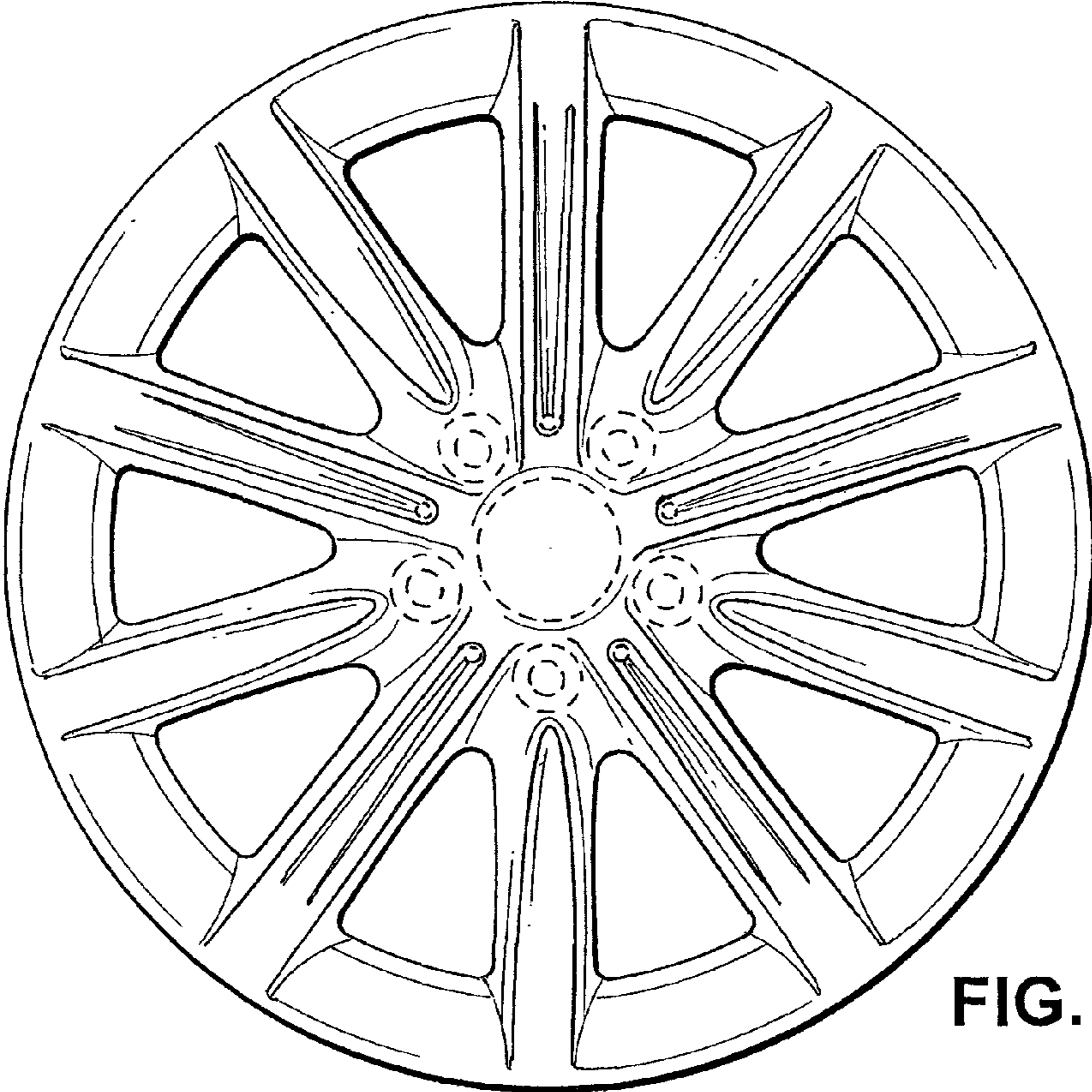


FIG. 1

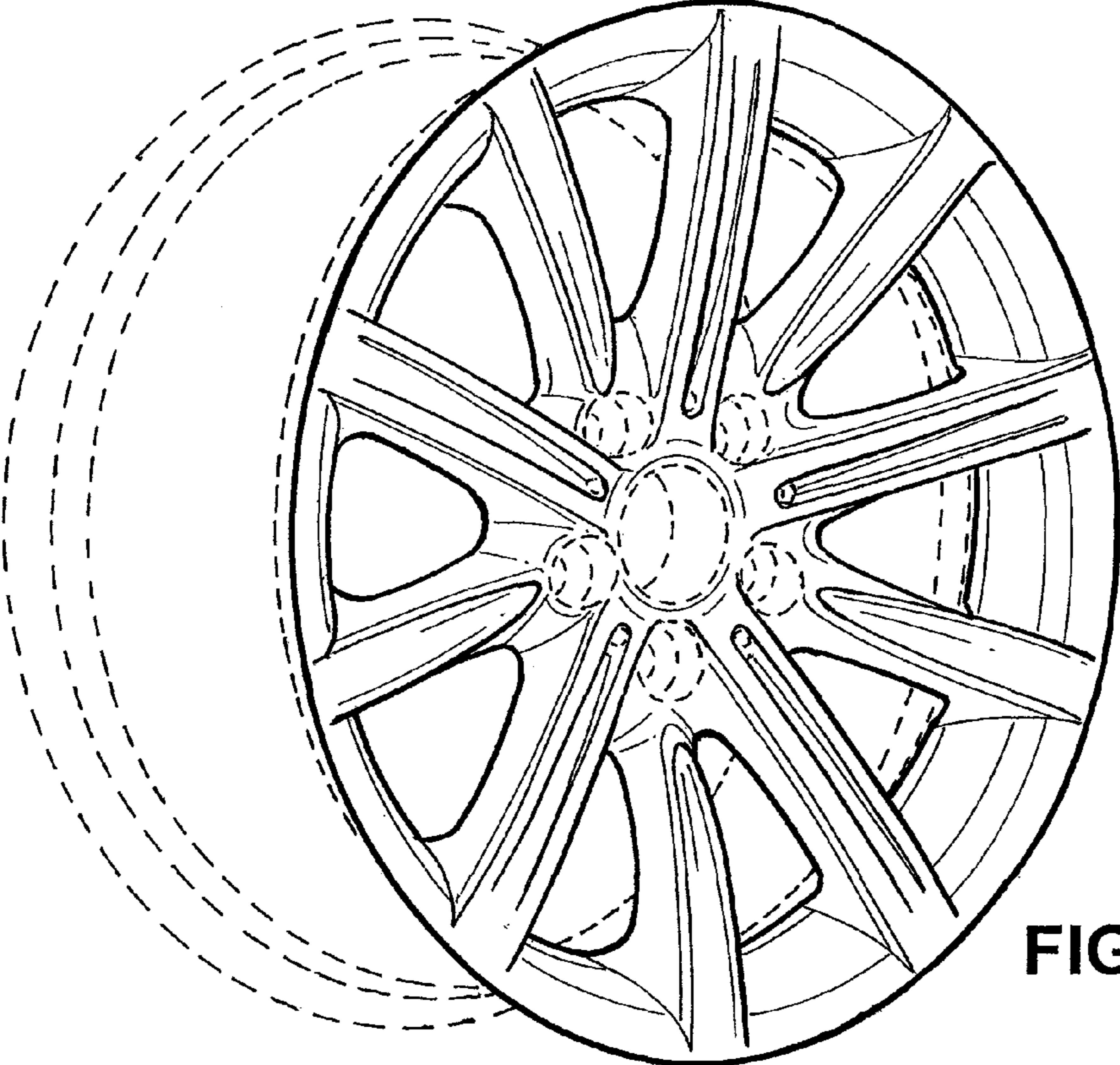


FIG. 2