



US00D632239S

(12) **United States Design Patent**  
**Gallert**

(10) **Patent No.:** **US D632,239 S**  
(45) **Date of Patent:** **\*\* Feb. 8, 2011**

(54) **AUTOMOBILE WHEEL**

(75) Inventor: **Michael Gallert**, Stuttgart (DE)

(73) Assignee: **Dr. Ing. h.c. F. Porsche**  
**Aktiengesellschaft**, Stuttgart (DE)

(\*\*) Term: **14 Years**

(21) Appl. No.: **29/342,666**

(22) Filed: **Aug. 28, 2009**

**Related U.S. Application Data**

(63) Continuation of application No. 29/284,155, filed on Aug. 31, 2007, now abandoned.

(30) **Foreign Application Priority Data**

Mar. 5, 2007 (EM) ..... 682745

(51) **LOC (9) Cl.** ..... **12-16**

(52) **U.S. Cl.** ..... **D12/211**

(58) **Field of Classification Search** ..... D12/204-213;  
301/37.101, 64.101, 65, 64.201; 280/731;  
40/57

See application file for complete search history.

(56) **References Cited**

**U.S. PATENT DOCUMENTS**

D339,561 S 9/1993 Maiworm et al.  
D457,118 S 5/2002 Bhambra  
D473,836 S 4/2003 Laengerer  
D479,178 S 9/2003 Lai  
D499,686 S 12/2004 Song

D504,101 S 4/2005 Pfeiffer  
D516,489 S 3/2006 Alonso  
D520,435 S 5/2006 Kulla et al.  
D527,333 S \* 8/2006 Blasi ..... D12/211  
D530,256 S 10/2006 Pfeiffer  
D541,724 S 5/2007 Gallert  
D553,069 S \* 10/2007 Ettensberger ..... D12/211  
D555,065 S 11/2007 Hernandez  
D573,082 S \* 7/2008 Young ..... D12/211  
D590,313 S \* 4/2009 Baum ..... D12/209  
D596,548 S \* 7/2009 Gallert ..... D12/211  
D597,920 S \* 8/2009 Idei ..... D12/211  
D599,268 S \* 9/2009 Bernoni ..... D12/211  
D610,516 S \* 2/2010 Dilber et al. .... D12/211  
D623,111 S \* 9/2010 Spoerle ..... D12/211  
D623,116 S \* 9/2010 Zhao ..... D12/211

**OTHER PUBLICATIONS**

Car Graphic, Nr. 8, Aug. 1, 2000, 2 pages.

\* cited by examiner

*Primary Examiner*—Austin Murphy

(57) **CLAIM**

The ornamental design for the automobile wheel, as shown and described.

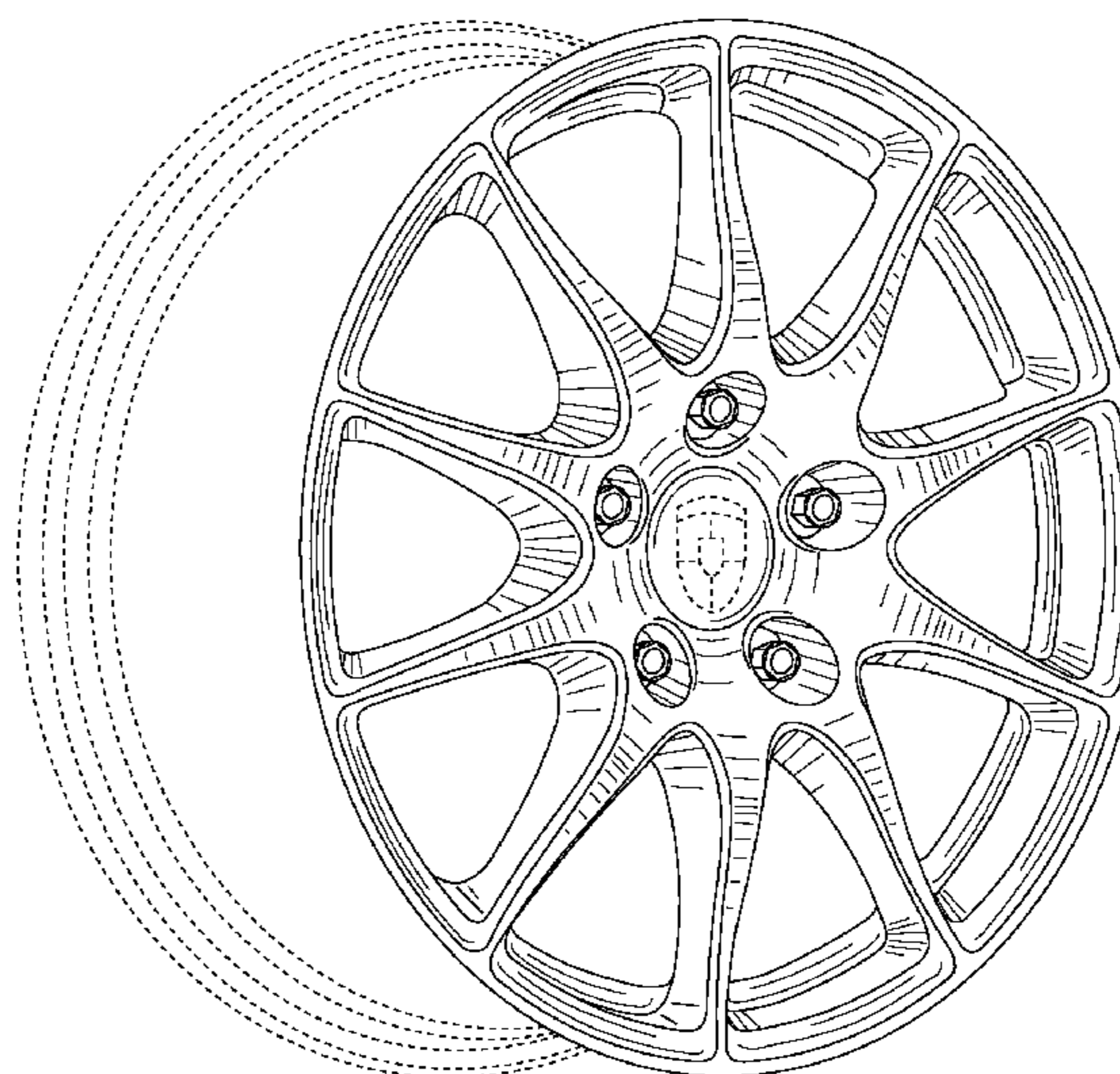
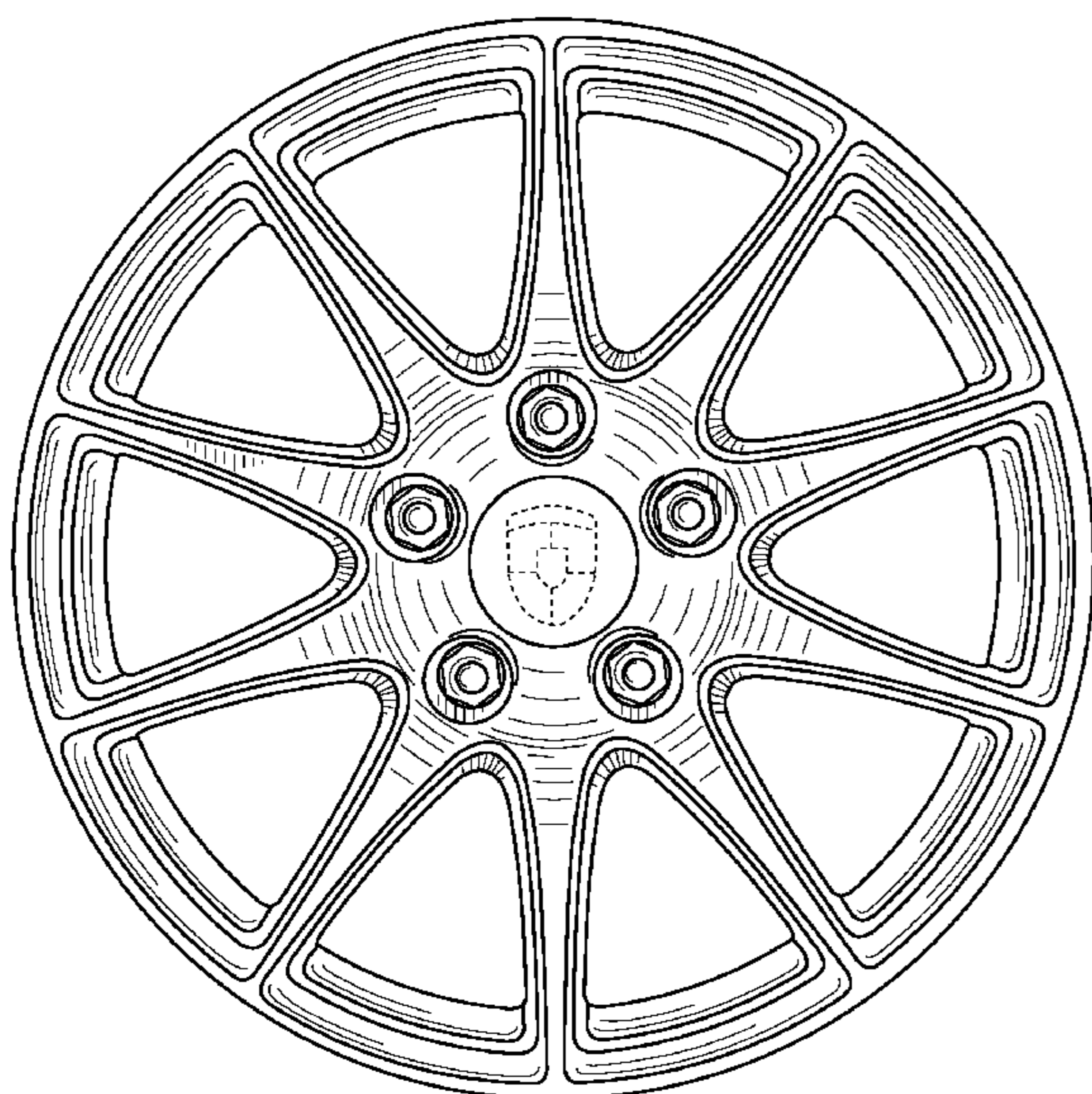
**DESCRIPTION**

FIG. 1 is front view of the automobile wheel showing my new design; and,

FIG. 2 is a perspective view thereof.

The broken lines shown in the drawings represent portions of the automobile wheel that form no part of the claimed design.

**1 Claim, 2 Drawing Sheets**



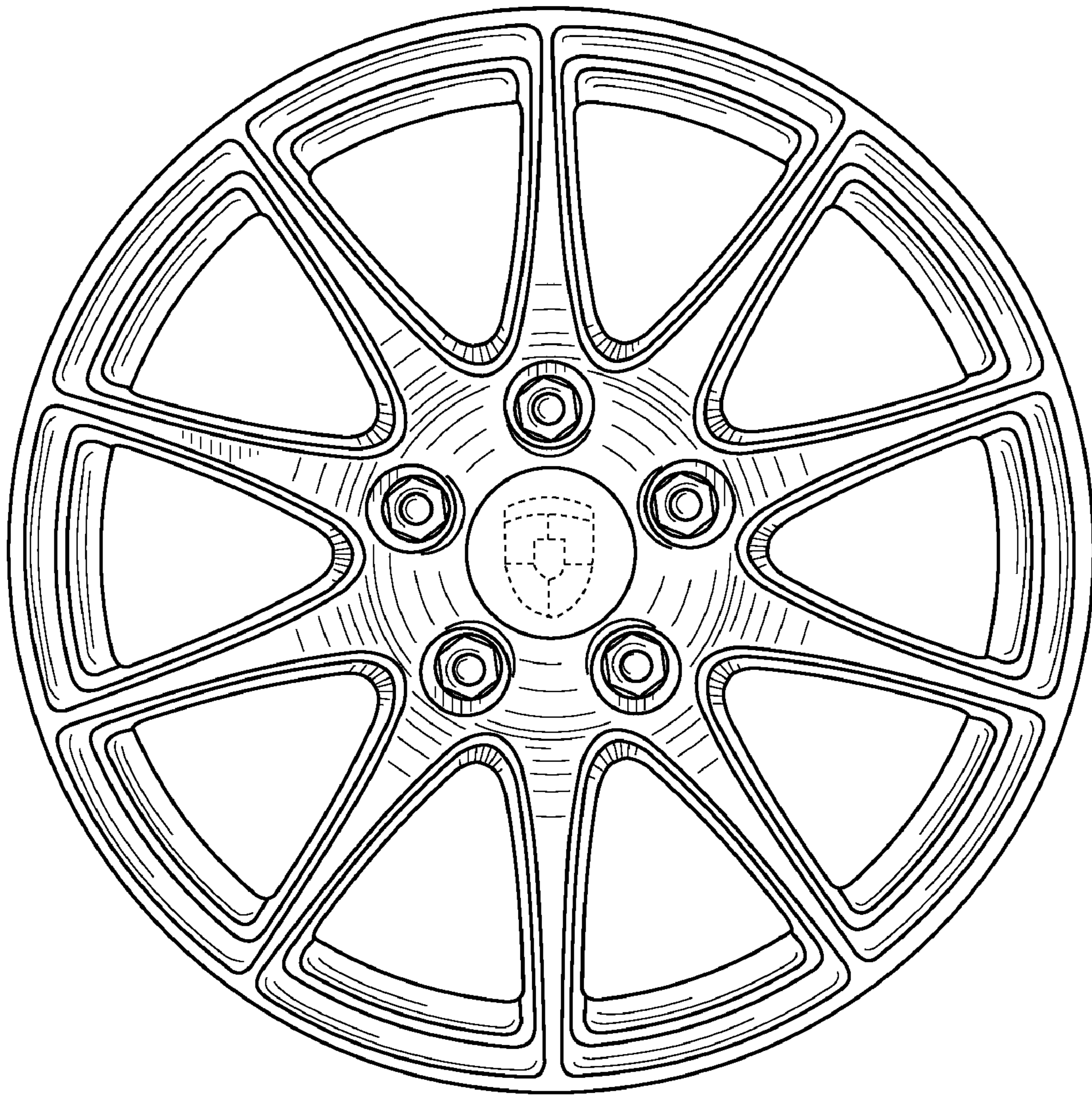


FIG. 1

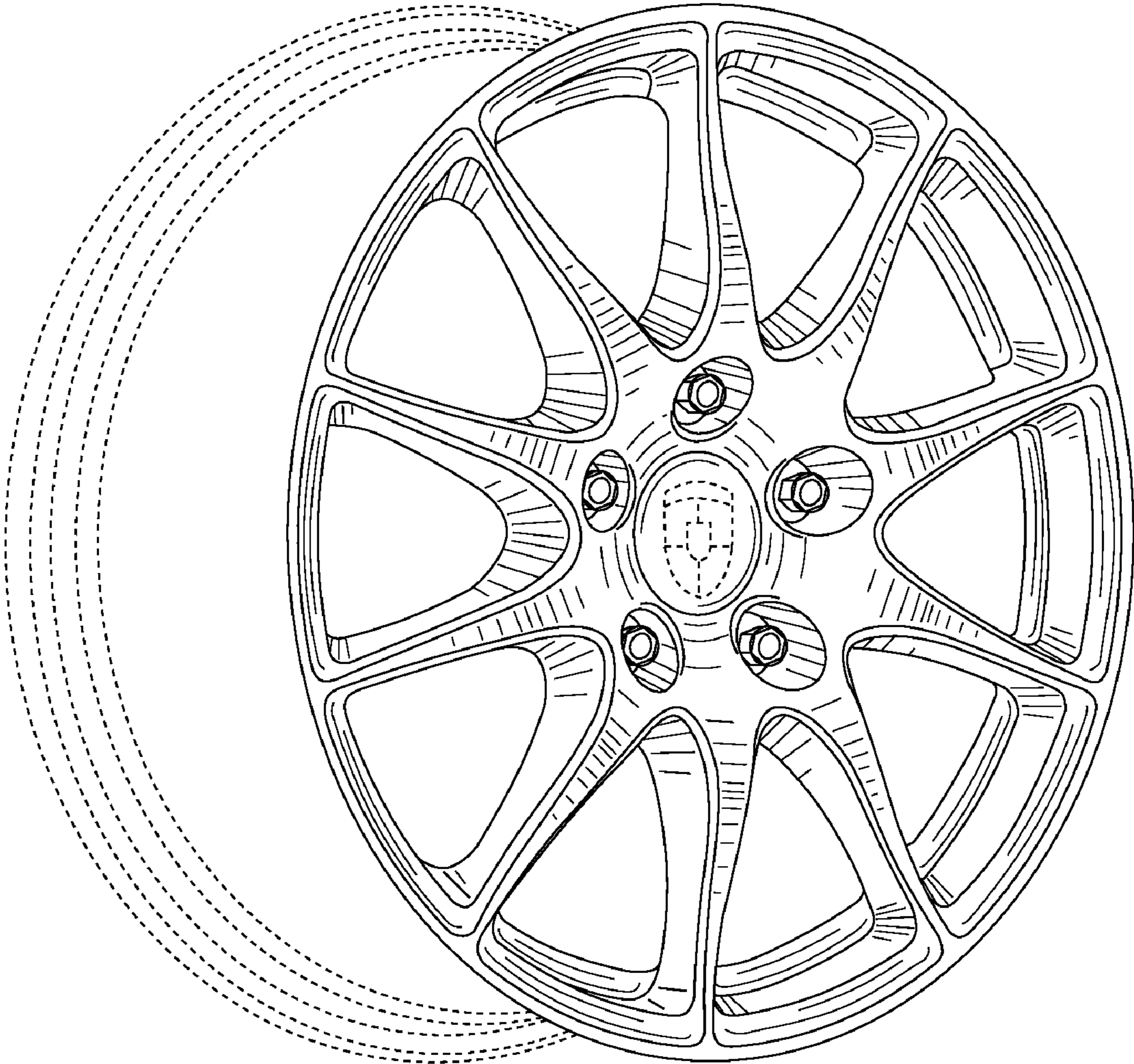


FIG. 2