



US00D632236S

(12) **United States Design Patent**
Pellicone et al.

(10) **Patent No.:** **US D632,236 S**

(45) **Date of Patent:** **** Feb. 8, 2011**

(54) **GAUGE POD**

(75) Inventors: **Dane Pellicone**, Newtown, PA (US);
Christopher Dollery, Abington, PA (US)

(73) Assignee: **Secor Limited**, Willow Grove, PA (US)

(**) Term: **14 Years**

(21) Appl. No.: **29/348,635**

(22) Filed: **Jan. 25, 2010**

(51) **LOC (9) Cl.** **12-16**

(52) **U.S. Cl.** **D12/192**

(58) **Field of Classification Search** D12/192,
D12/415, 110, 114; 180/90; 280/750-752;
296/190.01-190.09, 191, 70; D15/17, 28;
D10/46, 98, 102-103, 122-127

See application file for complete search history.

(56) **References Cited**

U.S. PATENT DOCUMENTS

D308,570 S *	6/1990	Twito	D23/354
D370,723 S *	6/1996	Nishizawa	D23/387
D382,279 S *	8/1997	Goebert et al.	D15/31
D417,267 S *	11/1999	Sacco et al.	D23/327
D485,899 S *	1/2004	Marshall	D23/411
D508,122 S *	8/2005	Murphy	D23/387
D535,732 S *	1/2007	Klopp, III	D23/327
D542,898 S *	5/2007	Juraschek	D23/327

D578,454 S *	10/2008	Wyszogrod et al.	D12/192
D603,782 S *	11/2009	Wilhelm	D12/415
D608,432 S *	1/2010	Aruga et al.	D23/358

* cited by examiner

Primary Examiner—Caron Veynar

Assistant Examiner—Katrina A Kile

(74) *Attorney, Agent, or Firm*—Carl H. Pierce; Reed Smith LLP

(57) **CLAIM**

The ornamental design for a gauge pod, as shown and described.

DESCRIPTION

FIG. 1 is a front view of a gauge pod, in accordance with the present invention;

FIG. 2 is a rear view of the gauge pod shown in FIG. 1;

FIG. 3 is a left side view of the gauge pod shown in FIG. 1;

FIG. 4 is a right side view of the gauge pod shown in FIG. 1;

FIG. 5 is a top view of the gauge pod shown in FIG. 1;

FIG. 6 is a bottom view of the gauge pod shown in FIG. 1; and,

FIG. 7 is a perspective view of the gauge pod shown in FIG. 1, viewed from above and to the right front of the gauge pod; and,

FIG. 8 is a perspective view of the gauge shown in FIG. 1, viewed from below and to the left rear of the gauge pod.

1 Claim, 4 Drawing Sheets

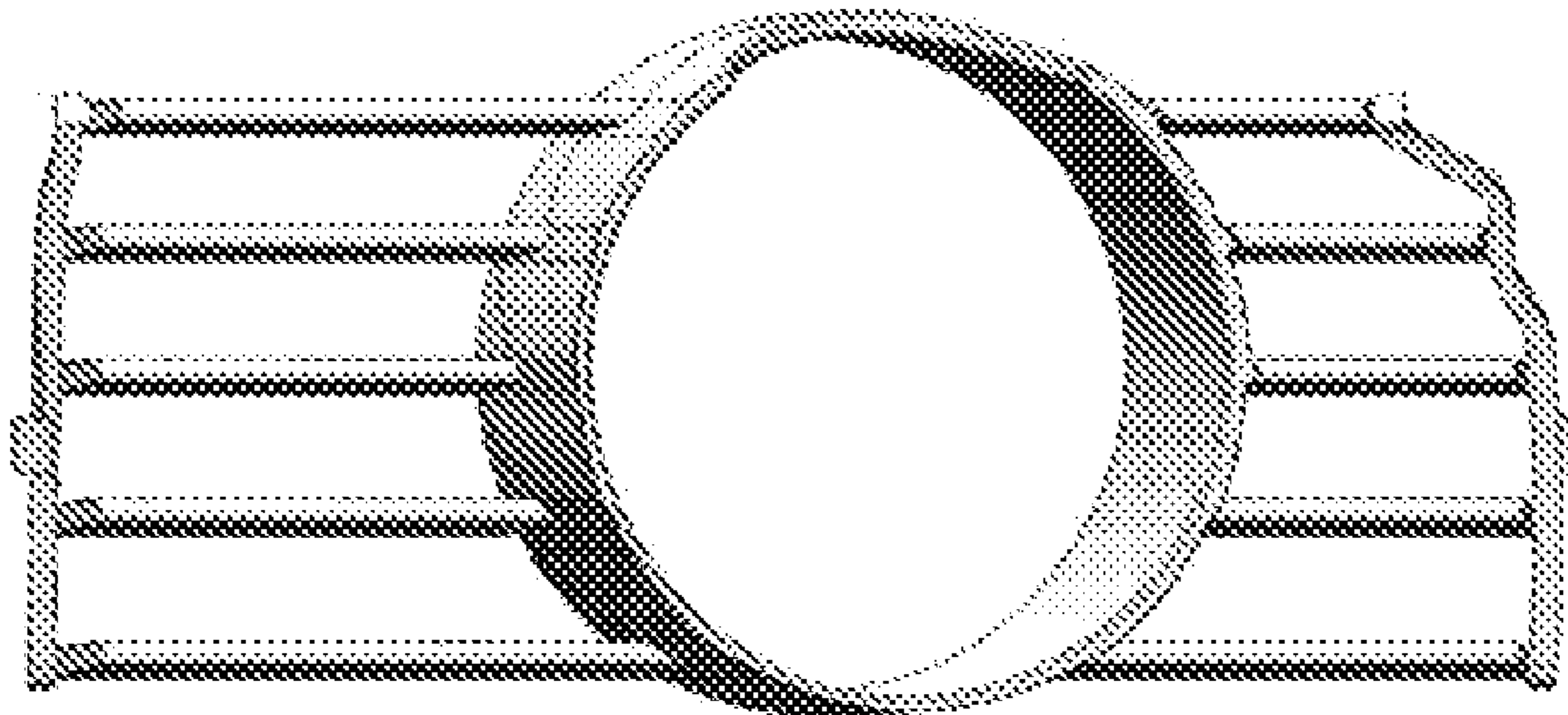


FIG. 1

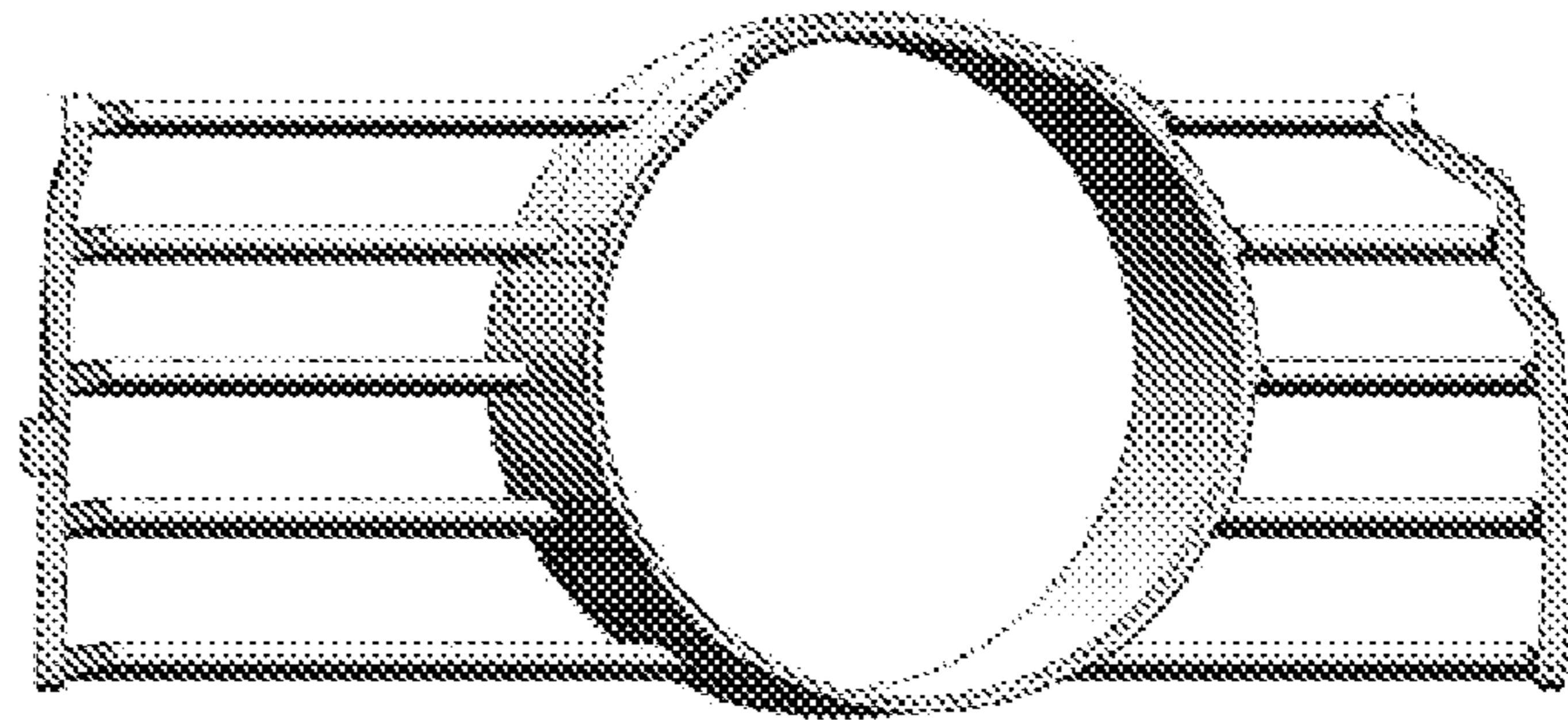


FIG. 2

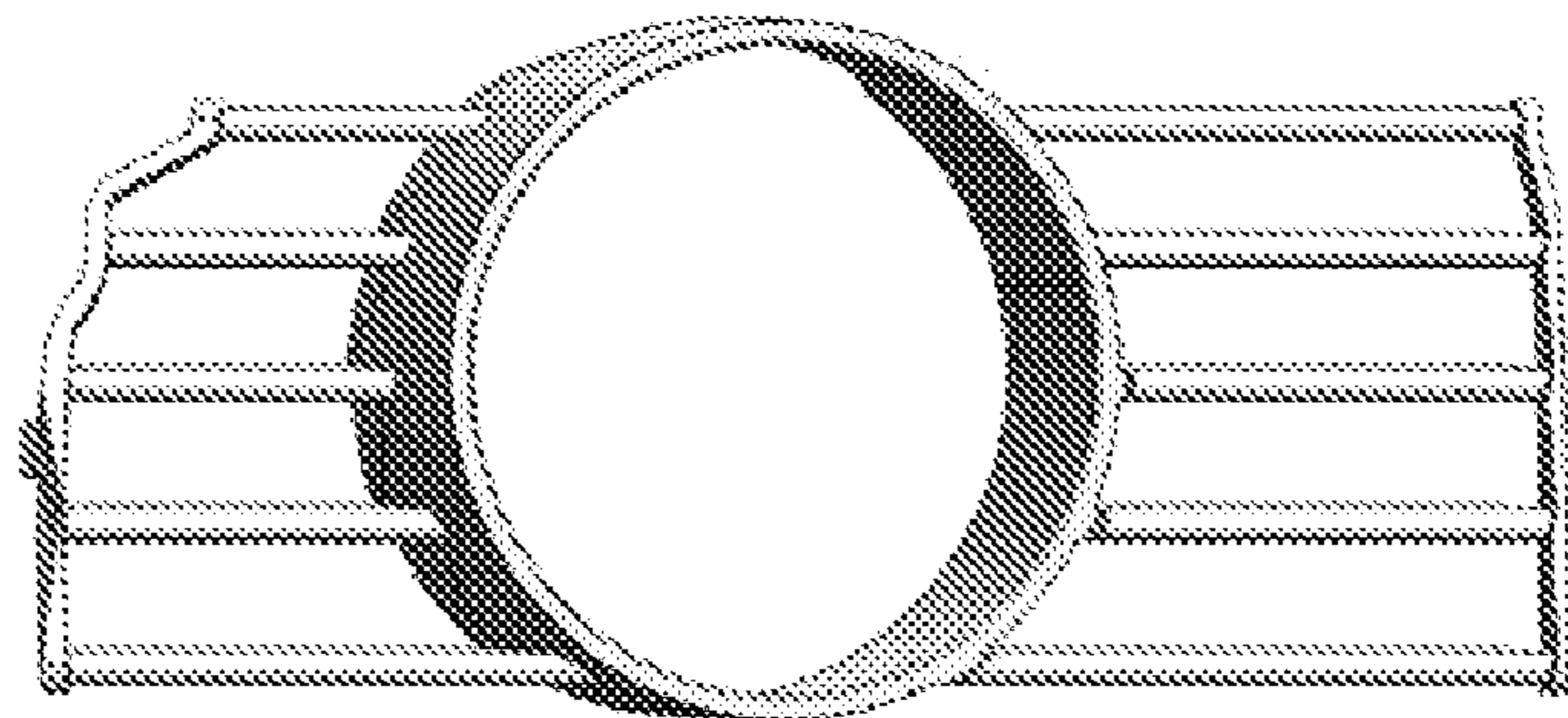


FIG. 3

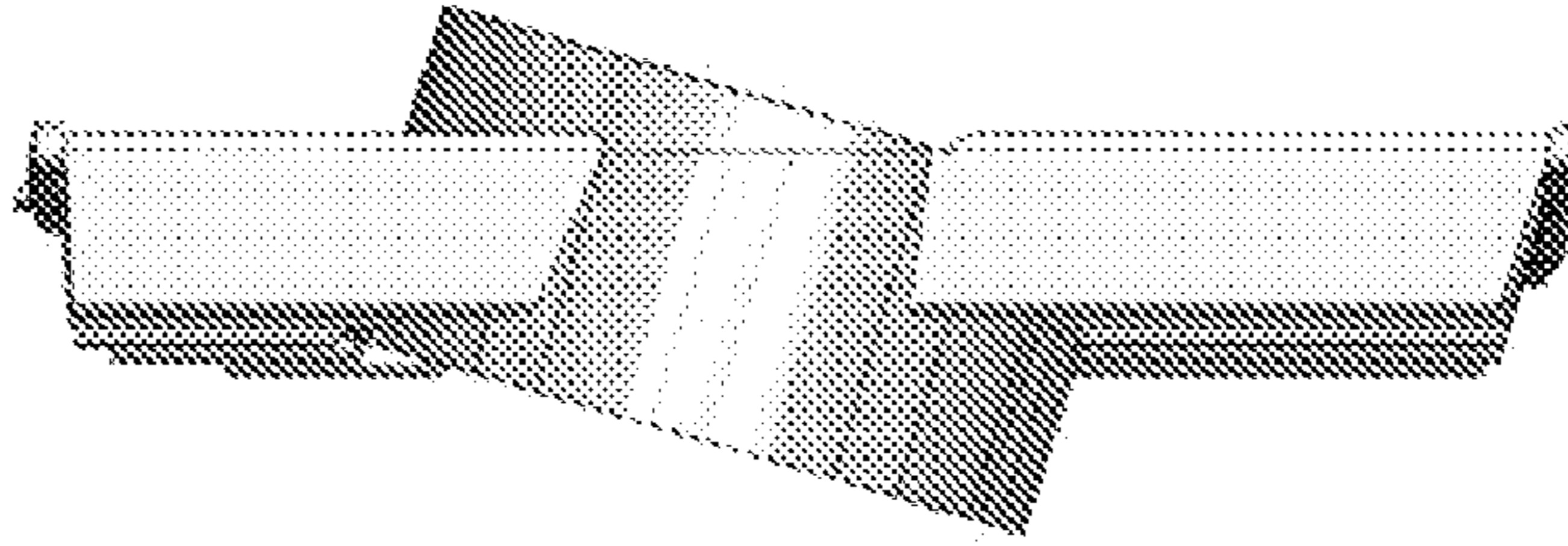


FIG. 4

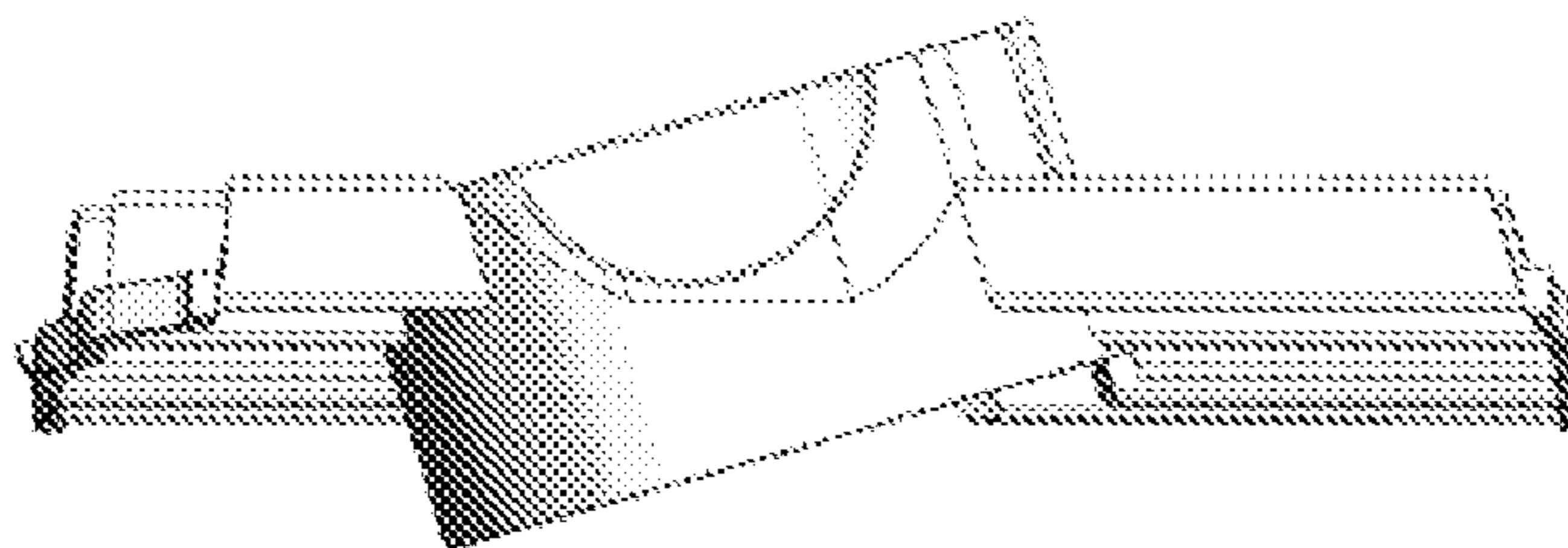


FIG. 5

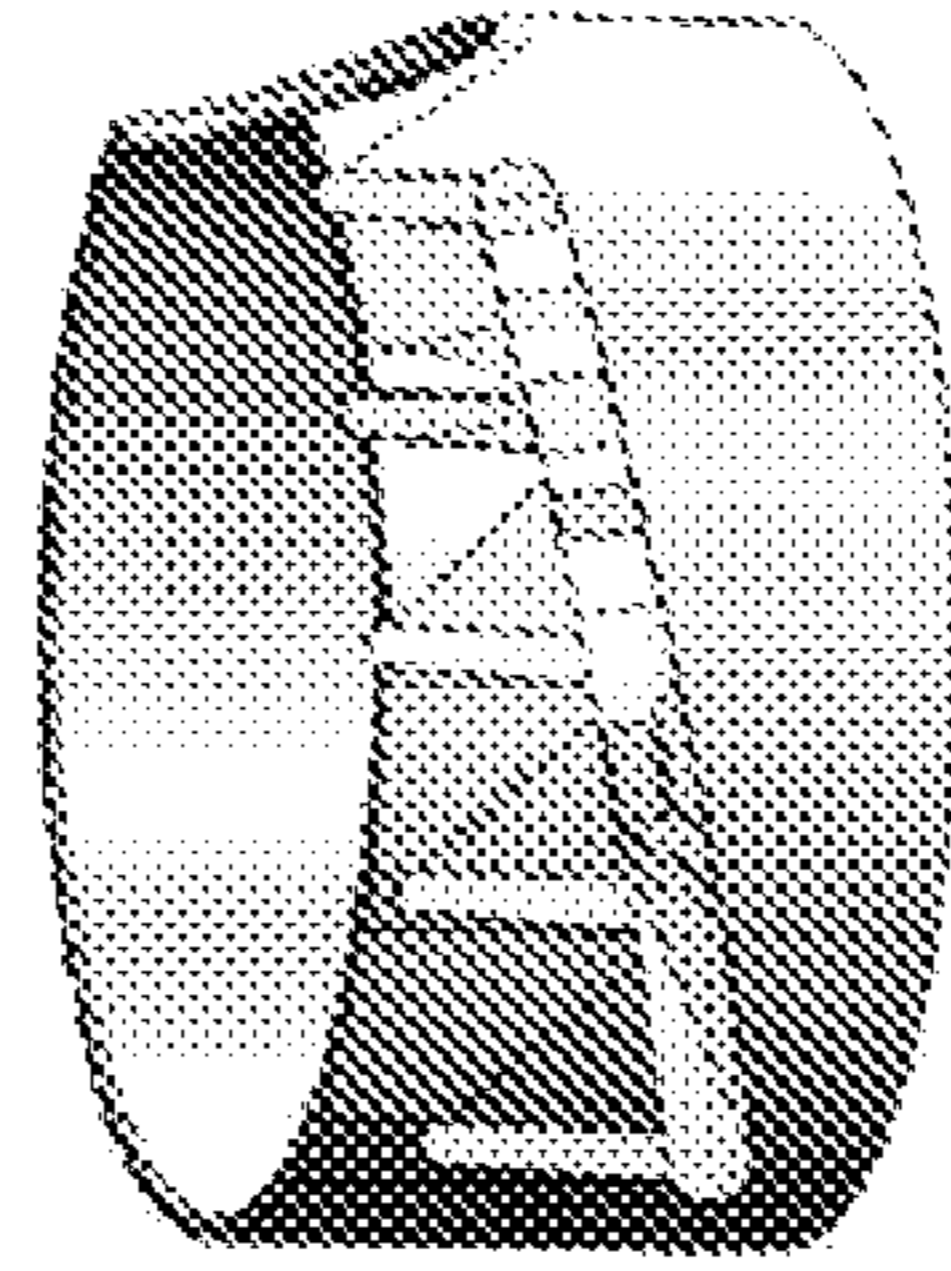


FIG. 6

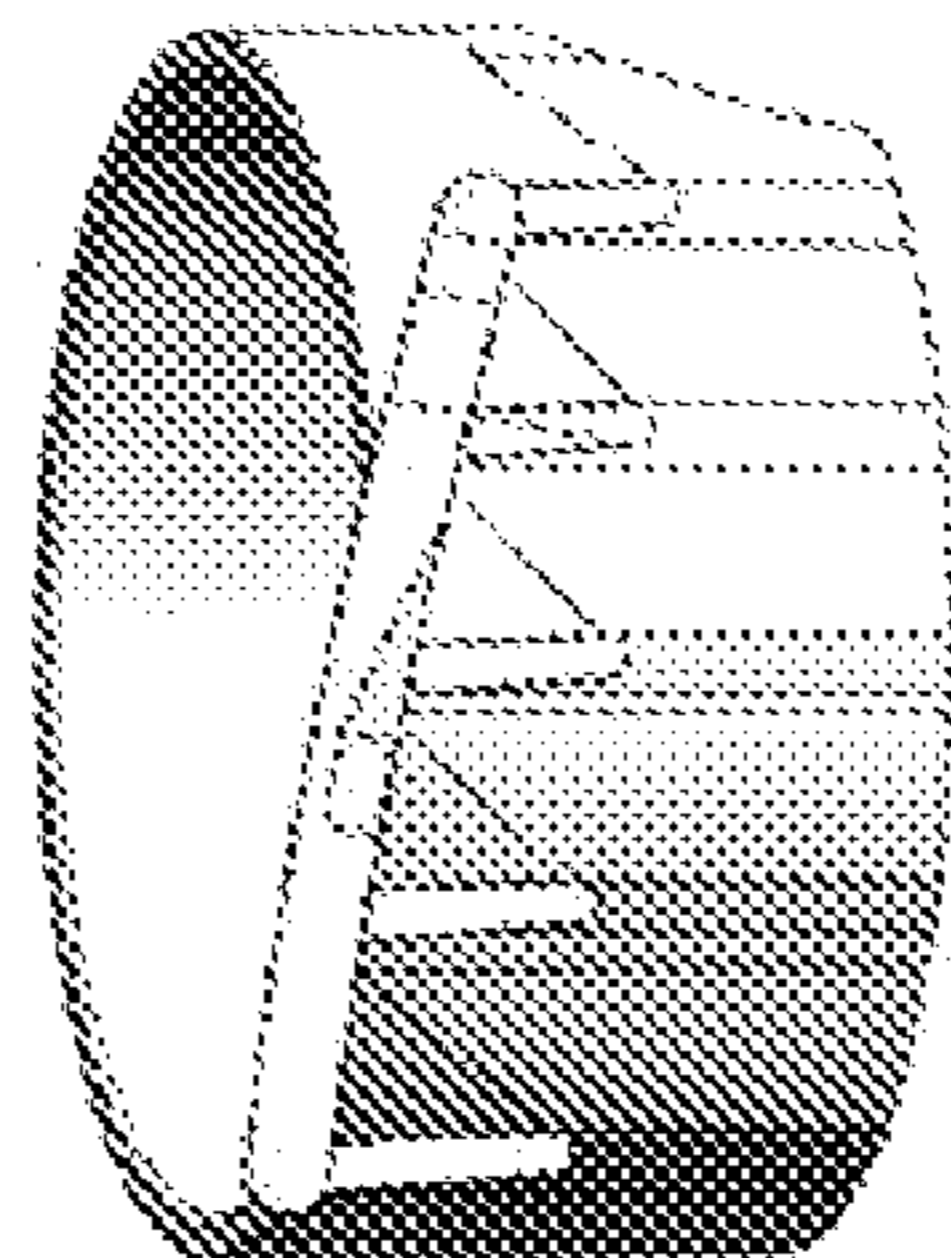


FIG. 7

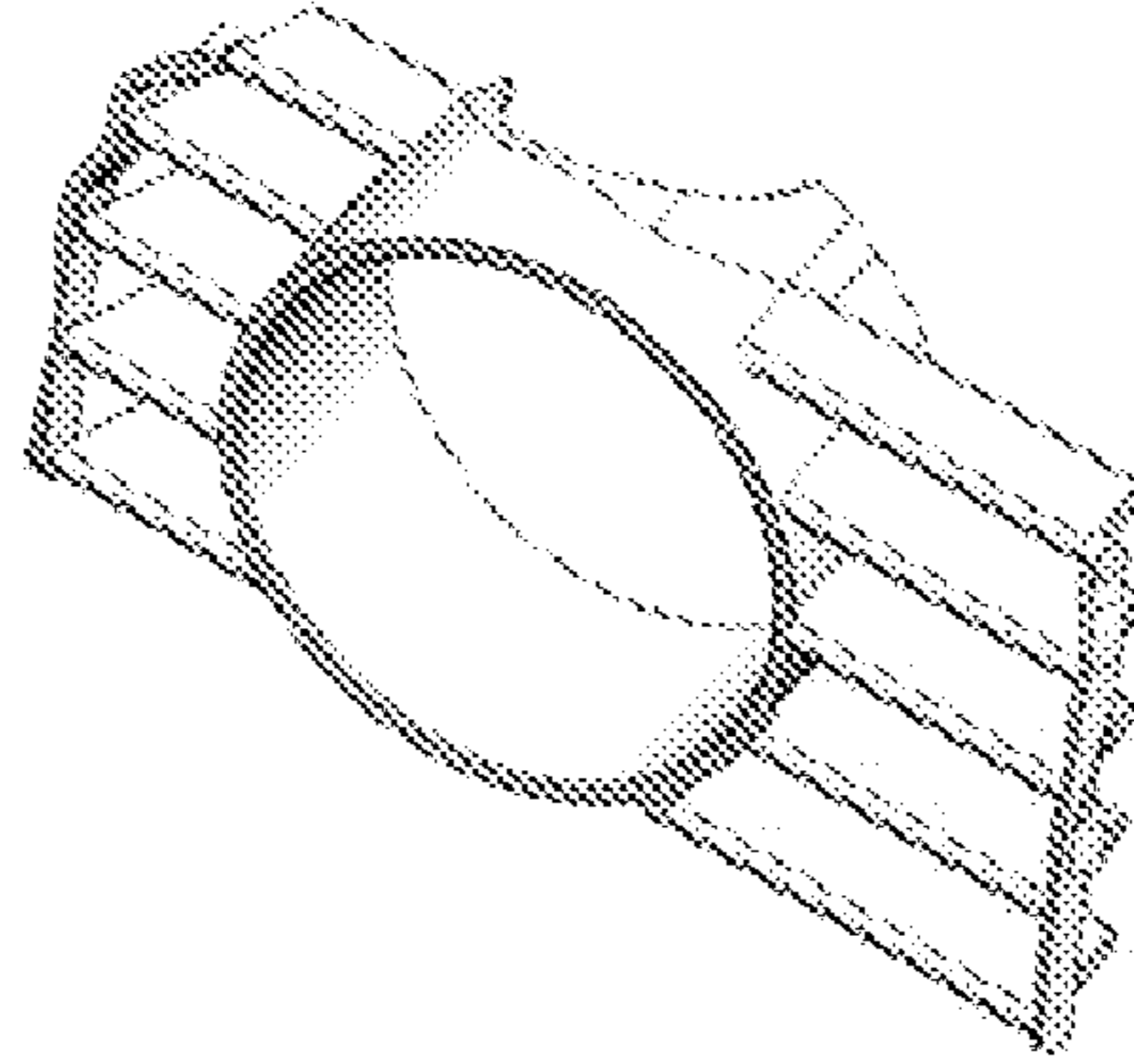


FIG. 8

