



US00D632233S

(12) **United States Design Patent**  
**Iuchi**

(10) **Patent No.:** **US D632,233 S**  
(45) **Date of Patent:** **\*\* Feb. 8, 2011**

- (54) **FRONT BUMPER FOR A TRUCK**
- (75) Inventor: **Takayuki Iuchi**, Ageo (JP)
- (73) Assignee: **UD Trucks Corporation**, Ageo-shi (JP)
- (\*\*) Term: **14 Years**
- (21) Appl. No.: **29/367,629**
- (22) Filed: **Aug. 10, 2010**
- (30) **Foreign Application Priority Data**  
Apr. 8, 2010 (JP) ..... 2010-008886
- (51) **LOC (9) Cl.** ..... **12-16**
- (52) **U.S. Cl.** ..... **D12/169**
- (58) **Field of Classification Search** ..... D12/169,  
D12/196, 171, 163, 216, 90-92, 86, 96; 293/102,  
293/113, 115, 117, 120; 296/180.1, 180.2  
See application file for complete search history.

- (56) **References Cited**  
**U.S. PATENT DOCUMENTS**  
D458,565 S \* 6/2002 Maher et al. .... D12/169  
D482,302 S \* 11/2003 Dozier et al. .... D12/169  
D570,739 S \* 6/2008 Emoto et al. .... D12/96  
D570,740 S \* 6/2008 Emoto et al. .... D12/96

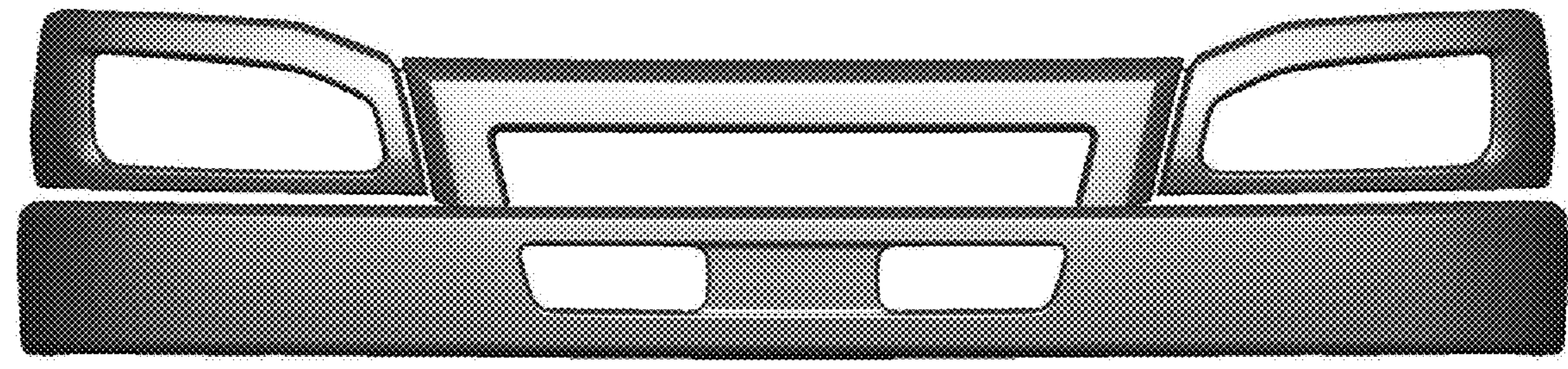
- D570,741 S \* 6/2008 Emoto et al. .... D12/96
- D589,846 S \* 4/2009 Tanaka ..... D12/96
- D612,778 S \* 3/2010 Beigel et al. .... D12/169

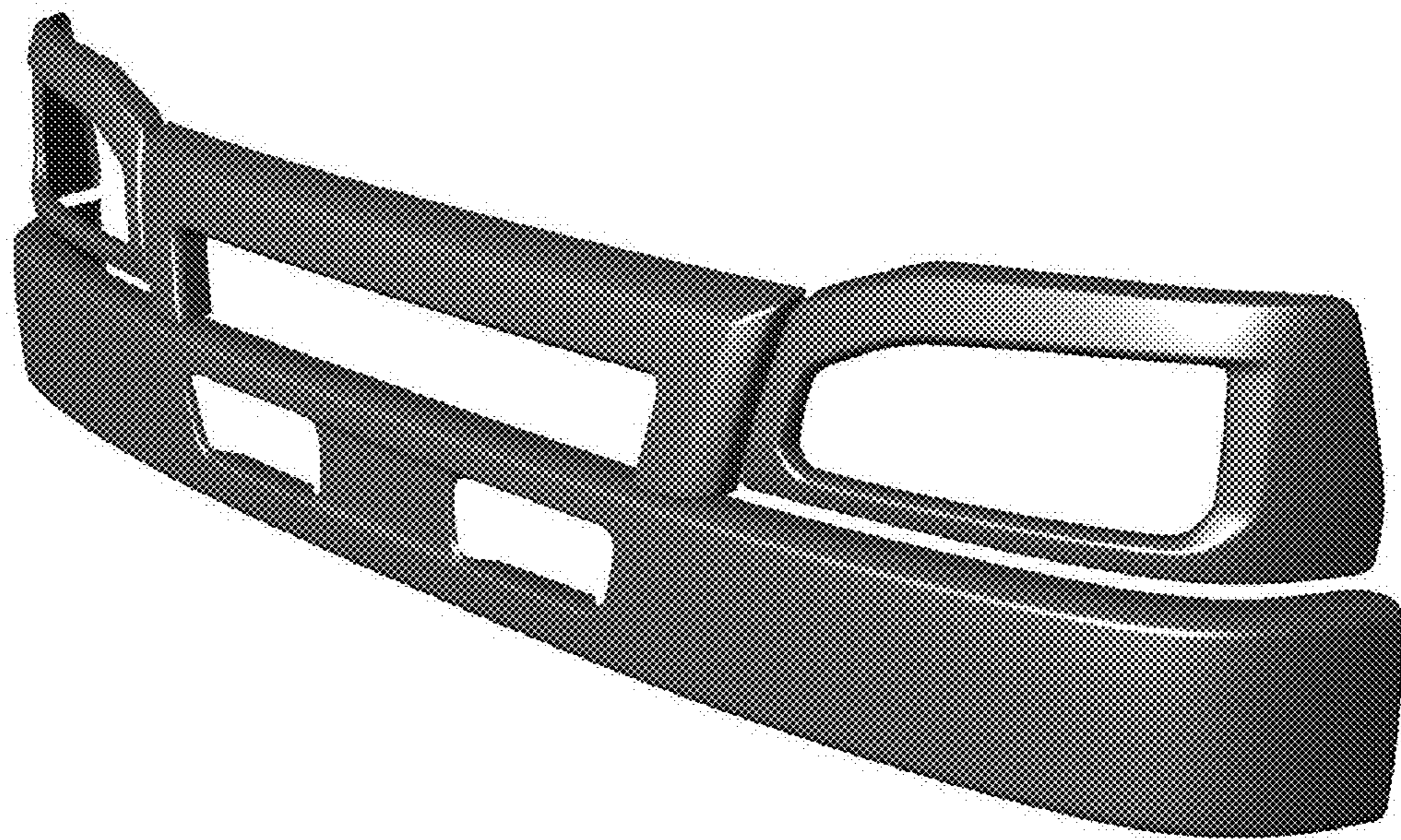
\* cited by examiner  
*Primary Examiner*—Melody N Brown  
 (74) *Attorney, Agent, or Firm*—Smith Patent Office

(57) **CLAIM**  
 The ornamental design for a front bumper for a truck, as shown and described.

**DESCRIPTION**  
 FIG. 1 is a perspective view of a front bumper for a truck showing my new design;  
 FIG. 2 is a top plan view thereof;  
 FIG. 3 is a front elevation view thereof;  
 FIG. 4 is a left side view thereof;  
 FIG. 5 is a right side view thereof;  
 FIG. 6 is a bottom plan view thereof; and,  
 FIG. 7 is a rear elevation view thereof.  
 The broken lines shown are for illustrative purpose only and form no part of the claimed design.

**1 Claim, 3 Drawing Sheets**





**Fig. 1**



Fig. 2

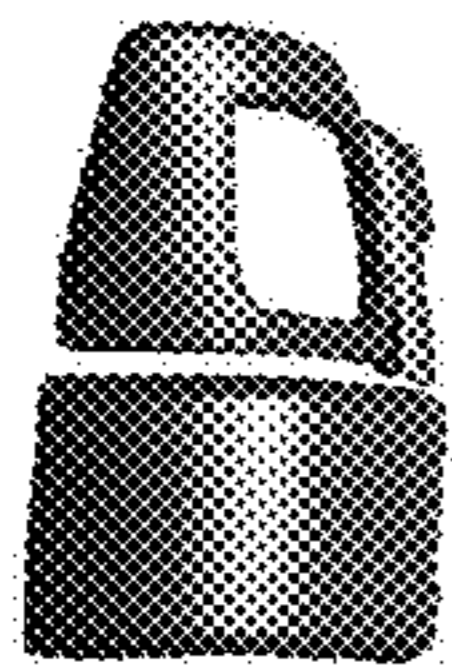


Fig. 4

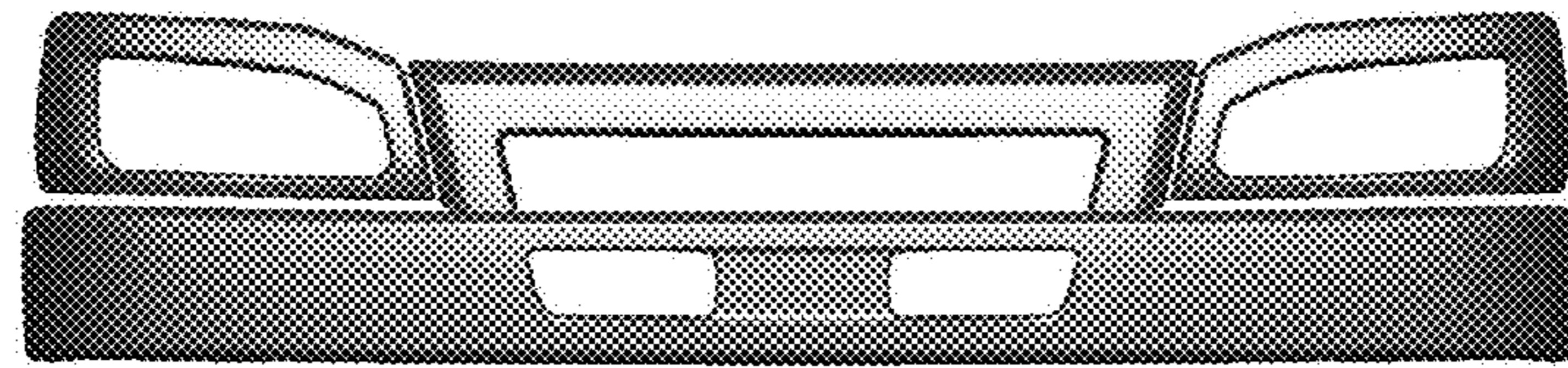


Fig. 3

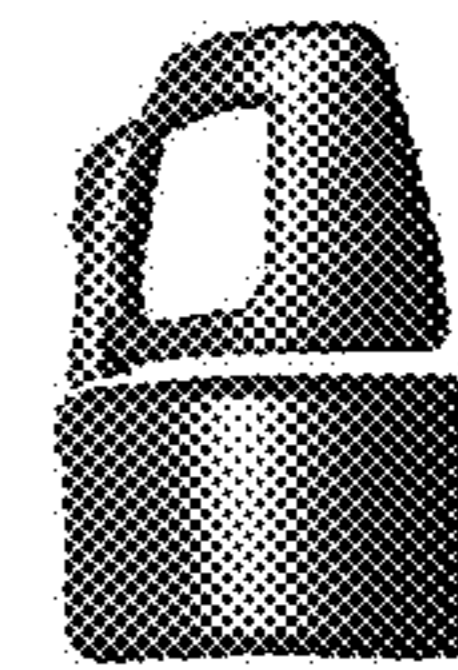


Fig. 5

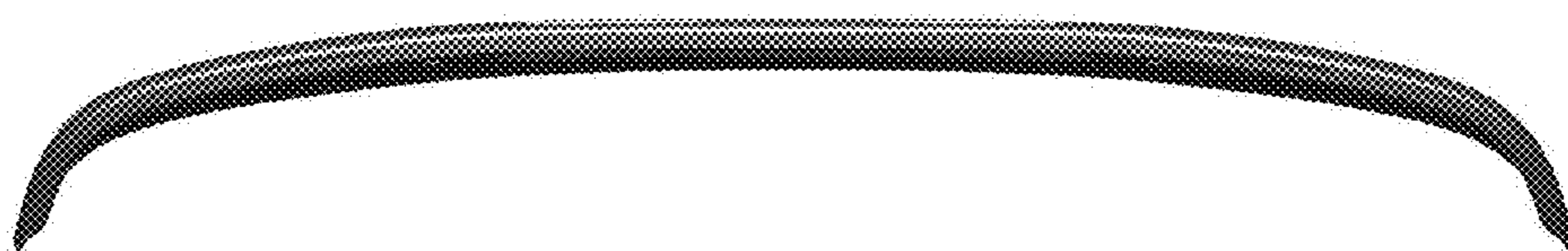


Fig. 6

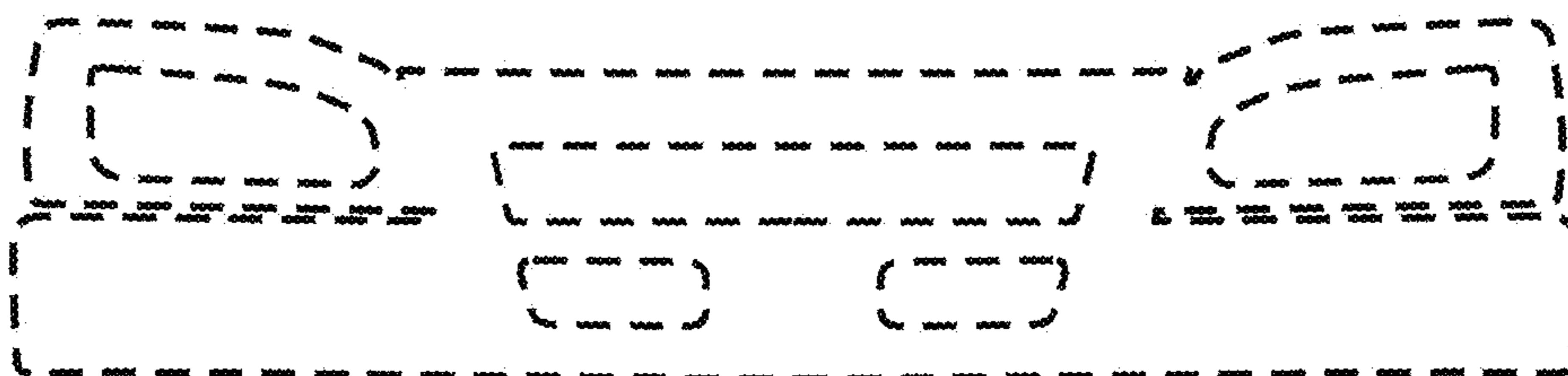


Fig. 7