



US00D632231S

(12) **United States Design Patent**
Mattucci

(10) **Patent No.:** **US D632,231 S**

(45) **Date of Patent:** **** *Feb. 8, 2011**

(54) **TRAILER HITCH FLAGPOLE MOUNT**

(76) **Inventor:** **Joseph V Mattucci**, P.O. Box 118,
Kenmore, NY (US) 14217

(*) **Notice:** This patent is subject to a terminal disclaimer.

(**) **Term:** **14 Years**

(21) **Appl. No.:** **29/341,264**

(22) **Filed:** **Aug. 3, 2009**

(51) **LOC (9) Cl.** **12-16**

(52) **U.S. Cl.** **D12/162**

(58) **Field of Classification Search** D12/106,
D12/161, 162, 223, 400; D11/166, 181-183;
40/591; 116/173-175; 248/519, 538; 280/477;
D10/108; D8/378

See application file for complete search history.

(56) **References Cited**

U.S. PATENT DOCUMENTS

D51,177 S *	8/1917	Horton	D12/223
5,815,976 A	10/1998	Jernigan et al.		
D427,108 S *	6/2000	Fisher et al.	D11/182
D464,912 S *	10/2002	Powell	D11/166
D469,381 S *	1/2003	LaCroix et al.	D11/182
6,517,098 B2 *	2/2003	Grasso et al.	280/477
D526,929 S *	8/2006	Barrett	D11/181
D584,363 S *	1/2009	Gordon	D20/43
D592,110 S	5/2009	Oakley		

D594,777 S *	6/2009	Oakley	D11/182
2005/0108909 A1 *	5/2005	Andersen	40/591
2005/0241565 A1 *	11/2005	Fisher et al.	116/28 R
2006/0156600 A1	7/2006	Barker		

* cited by examiner

Primary Examiner—T. Chase Nelson

Assistant Examiner—Kathleen M Sims

(74) *Attorney, Agent, or Firm*—Kloss, Stenger & LoTempio;
Vincent G. LoTempio; Douglas R. Smith

(57) **CLAIM**

The ornamental design for a trailer hitch flagpole mount, as shown and described.

DESCRIPTION

FIG. 1 is a perspective view of a design for a trailer hitch flagpole mount;

FIG. 2 is a left side view of my design;

FIG. 3 is a right view of my design;

FIG. 4 is a front side view of my design;

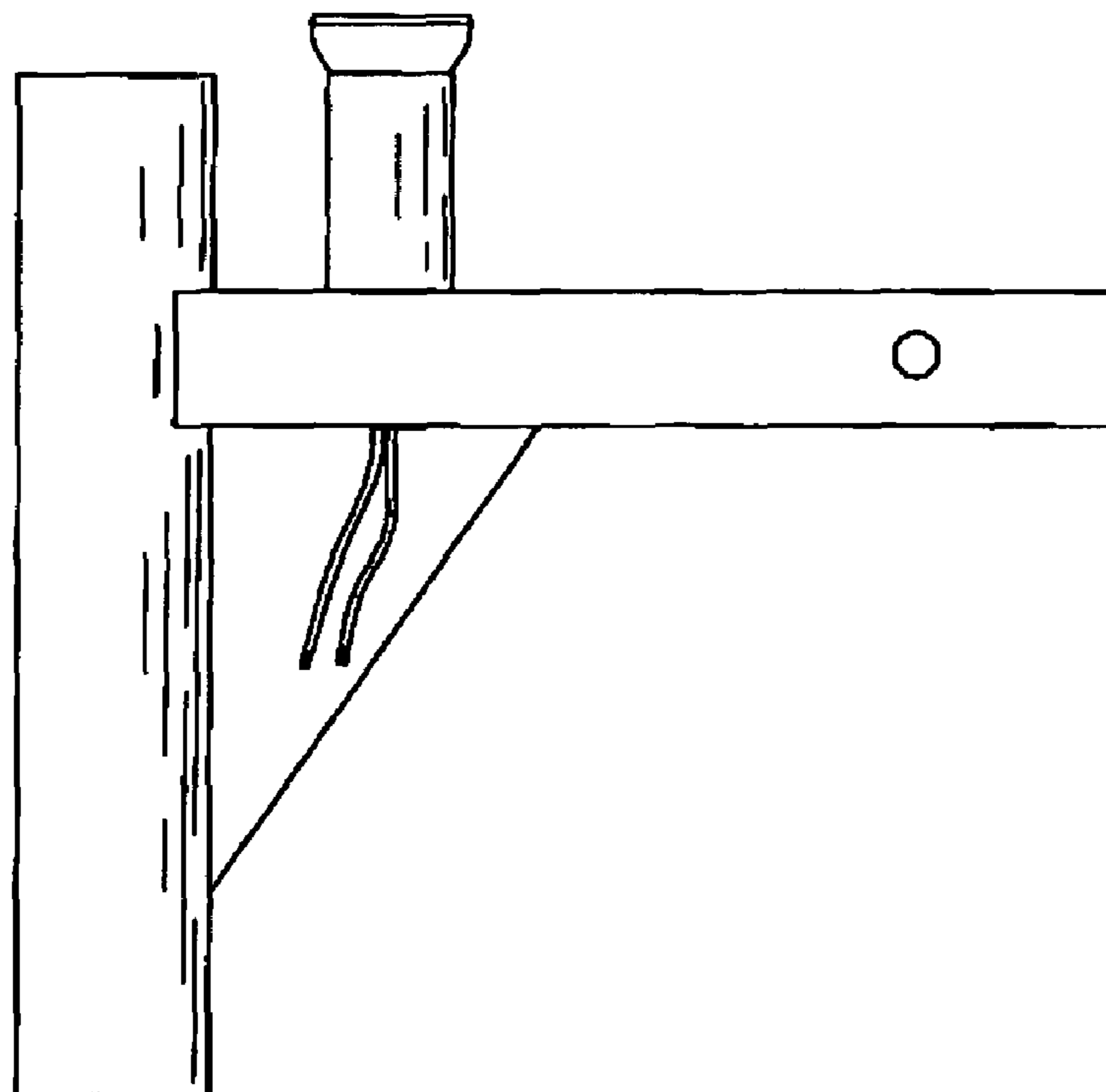
FIG. 5 is a back side view of my design;

FIG. 6 is a top view of my design; and,

FIG. 7 is a bottom view of my design.

The broken lines depict environmental structures and portions of the trailer hitch flagpole mount that from no part of the claimed design.

1 Claim, 3 Drawing Sheets



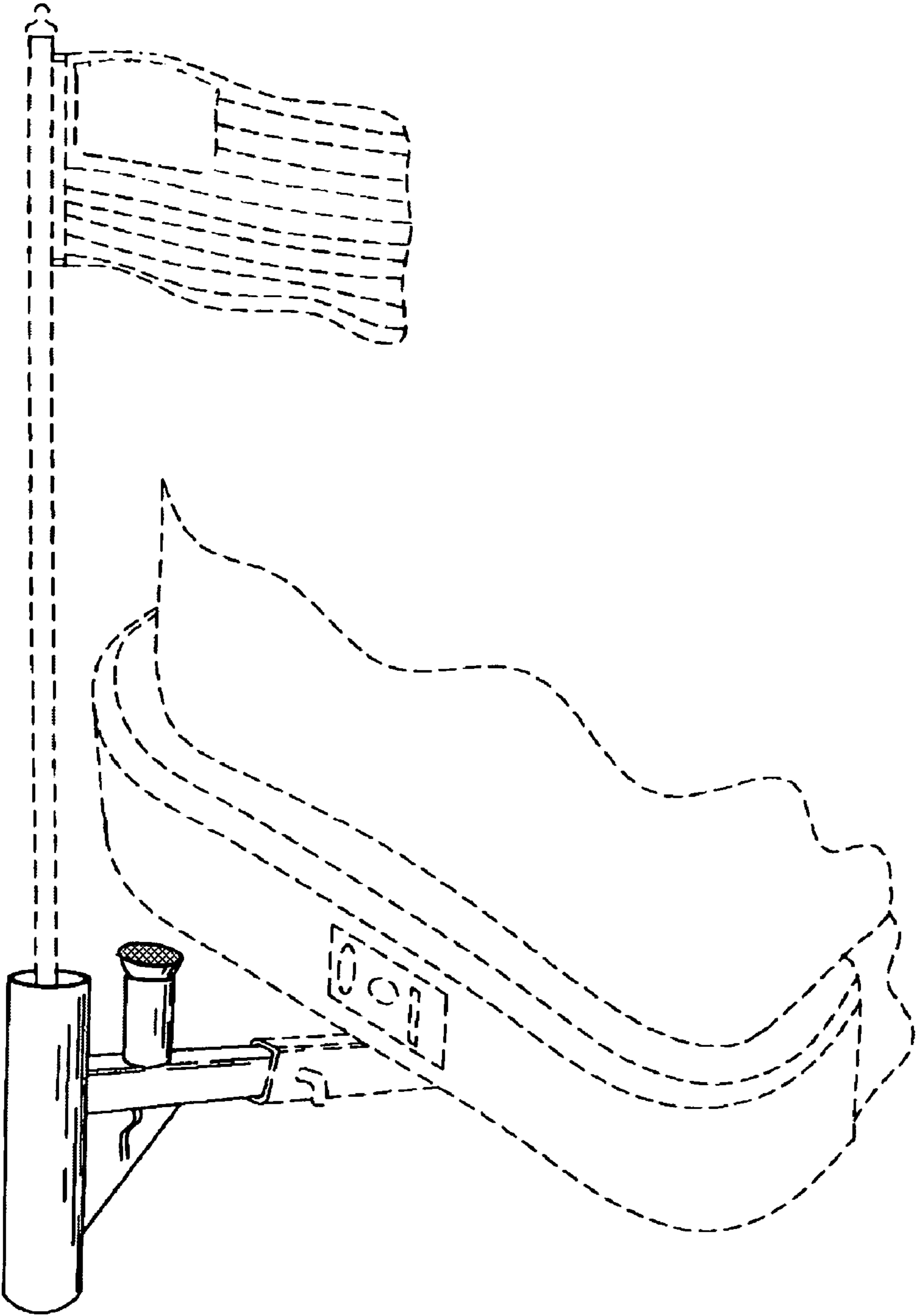


Fig. 1

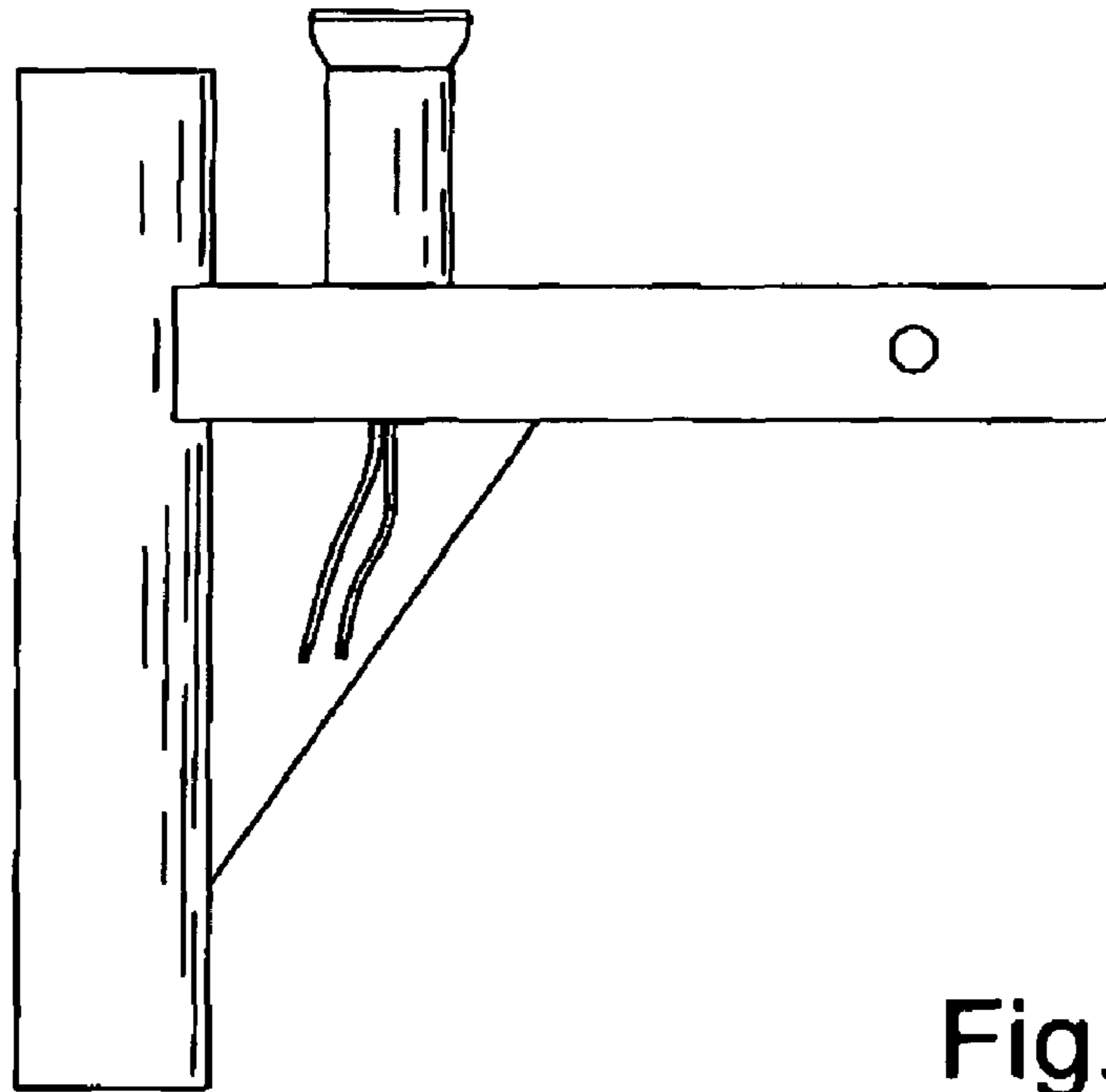


Fig. 2

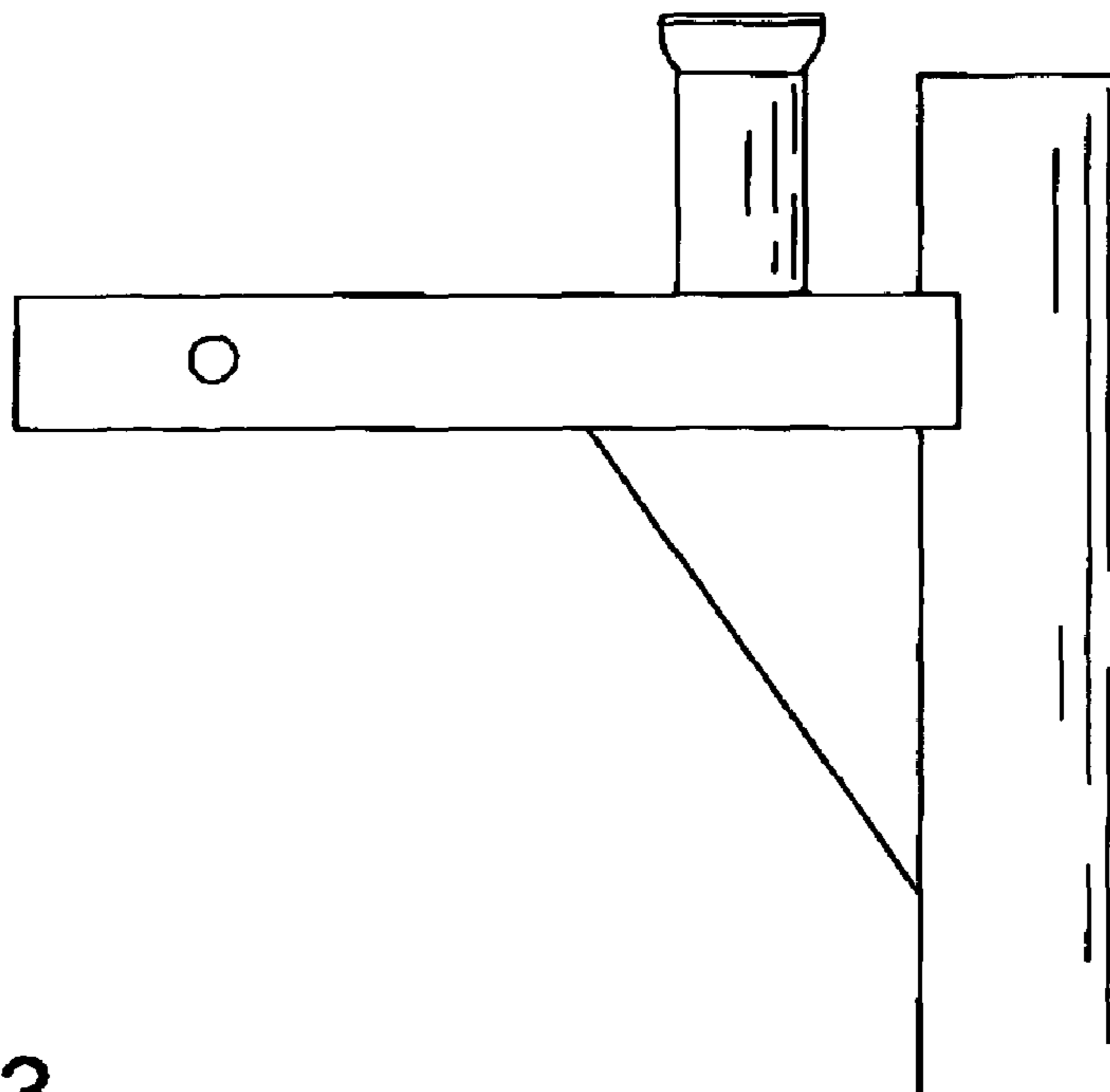


Fig. 3



Fig. 4

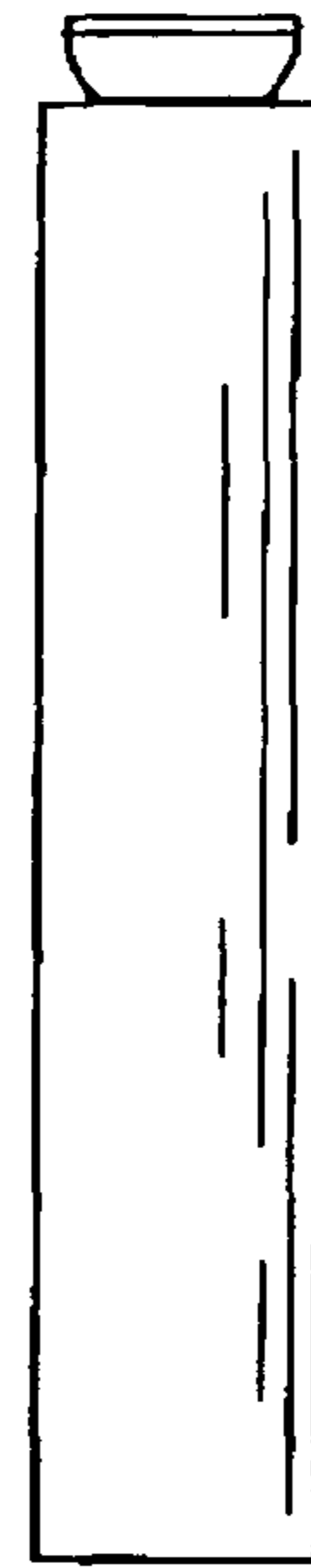


Fig. 5

Fig. 6

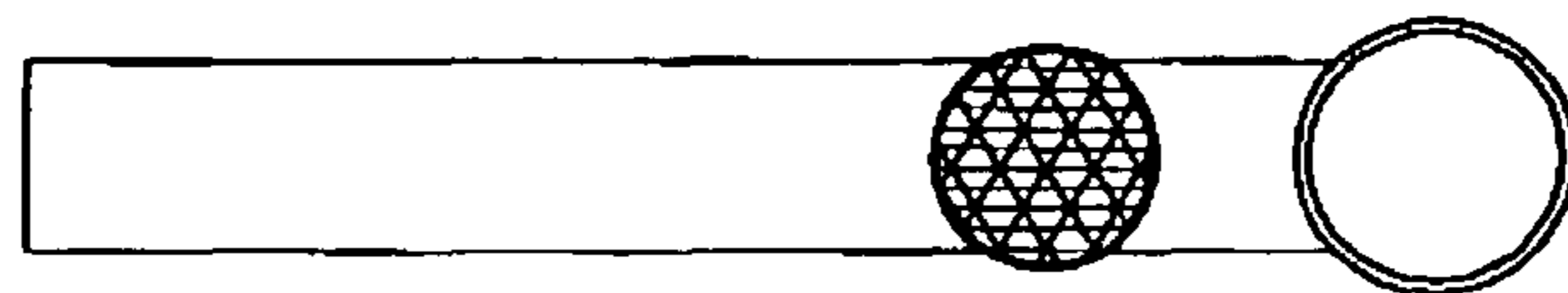


Fig. 7

