



US00D632229S

(12) **United States Design Patent**
Kruse

(10) **Patent No.:** **US D632,229 S**

(45) **Date of Patent:** **** Feb. 8, 2011**

(54) **PERSONAL MOBILITY VEHICLE**

D569,769 S * 5/2008 Chiu et al. D12/131
7,370,876 B2 * 5/2008 Hsu et al. 280/650
D590,304 S * 4/2009 Kruse D12/131

(75) Inventor: **Thomas E. Kruse**, Sarasota, FL (US)

(73) Assignee: **Hoveround Corporation**, Sarasota, FL (US)

(**) Term: **14 Years**

(21) Appl. No.: **29/314,611**

(22) Filed: **Apr. 14, 2009**

(51) **LOC (9) Cl.** **12-12**

(52) **U.S. Cl.** **D12/131**

(58) **Field of Classification Search** D12/128-133;
280/62, 647-650, 29, 200, 47.38, 35, 250.1,
280/259, 642, 658; 296/65.03, 65.04; 135/65-67,
135/74

See application file for complete search history.

(56) **References Cited**

U.S. PATENT DOCUMENTS

D287,836 S * 1/1987 Chan et al. D12/131
D356,530 S * 3/1995 Bee et al. D12/131
D404,693 S * 1/1999 Schaffner D12/131
6,152,478 A * 11/2000 Hung 280/650
D462,639 S * 9/2002 Lin D12/131
6,938,923 B2 * 9/2005 Mulhern et al. 280/755
7,040,429 B2 * 5/2006 Molnar 180/65.1

* cited by examiner

Primary Examiner—Ian Simmons

Assistant Examiner—Charles D Hanson

(74) *Attorney, Agent, or Firm*—Arthur W. Fisher, III

(57) **CLAIM**

I claim the ornamental design for a personal mobility vehicle, as shown and described.

DESCRIPTION

FIG. 1 is a front right perspective view of a personal mobility vehicle showing my new design.

FIG. 2 is a right side elevation thereof;

FIG. 3 is a front elevation thereof;

FIG. 4 is a top plan view thereof;

FIG. 5 is a left front perspective view thereof;

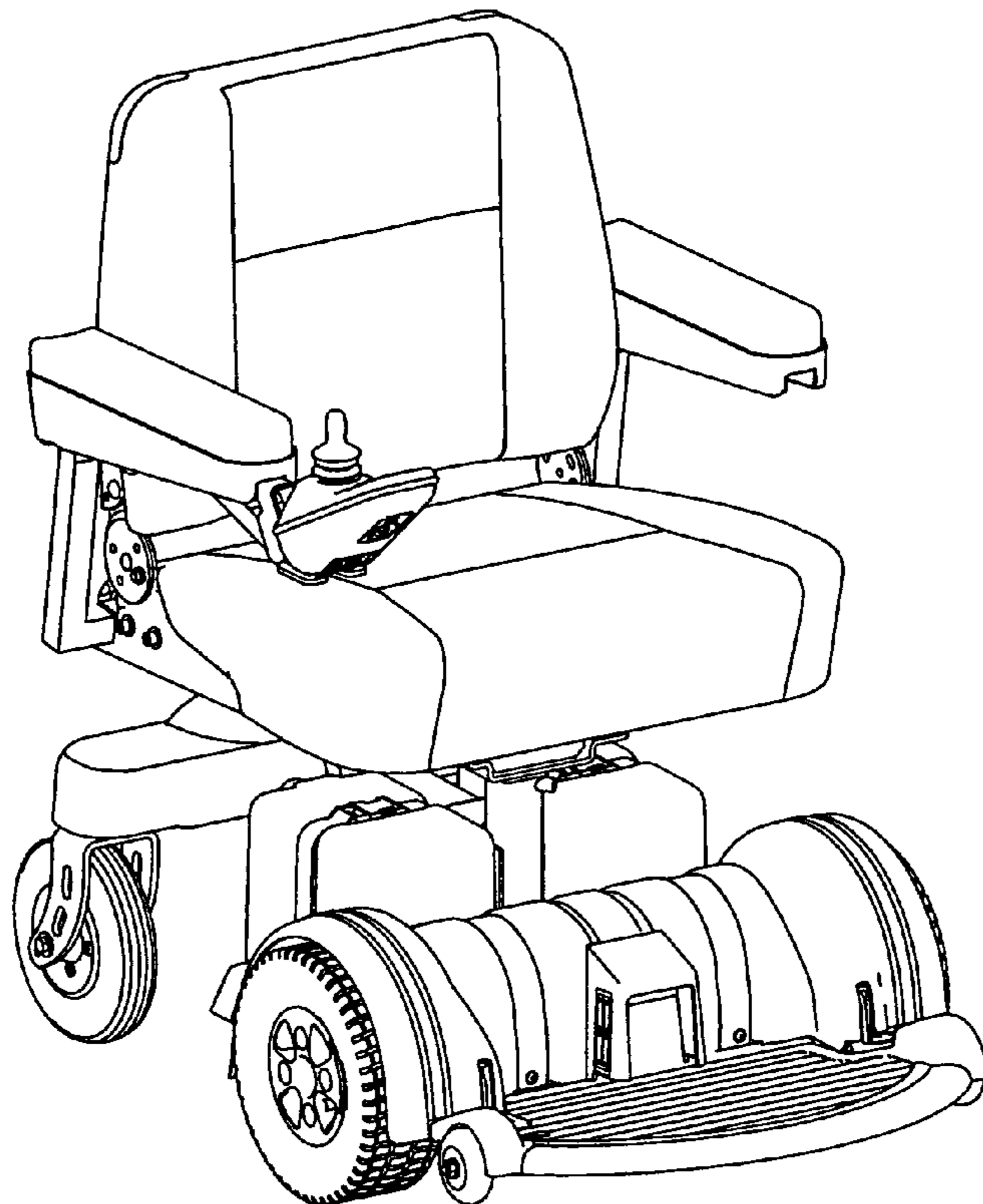
FIG. 6 is a rear elevation view thereof;

FIG. 7 is a right rear perspective view thereof;

FIG. 8 is a left rear perspective thereof; and,

FIG. 9 is a left side elevation thereof.

1 Claim, 5 Drawing Sheets



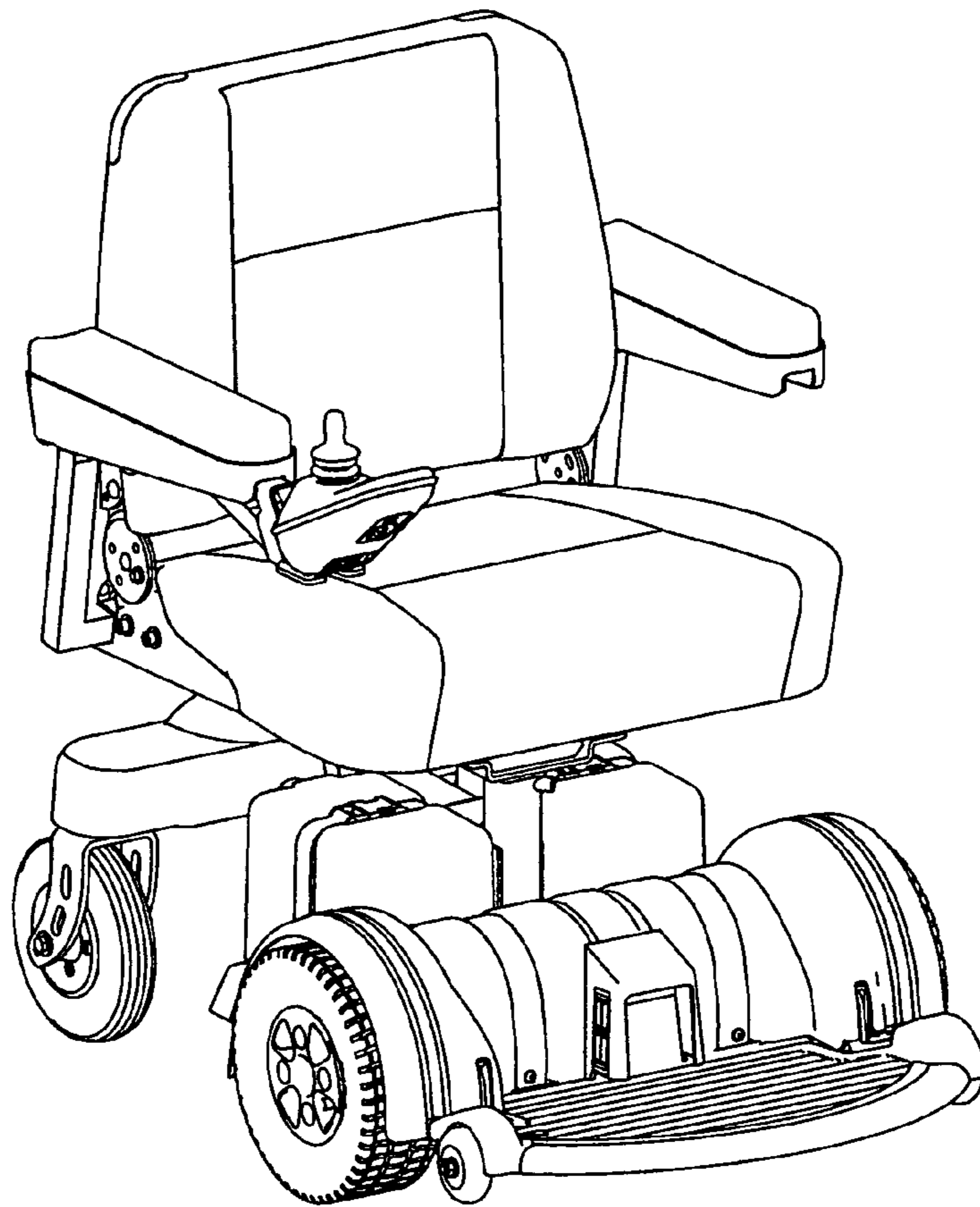


FIG. 1

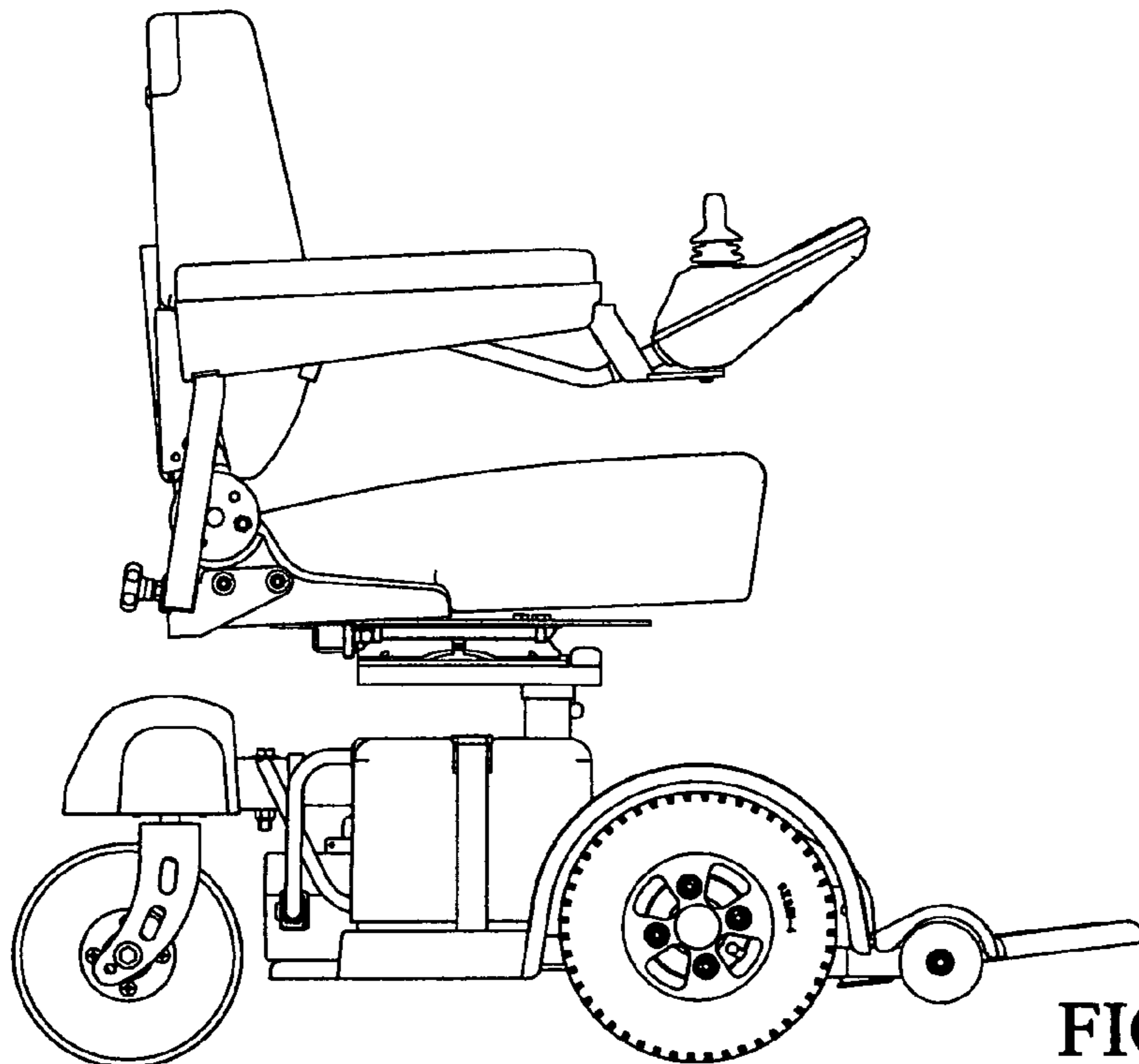


FIG. 2

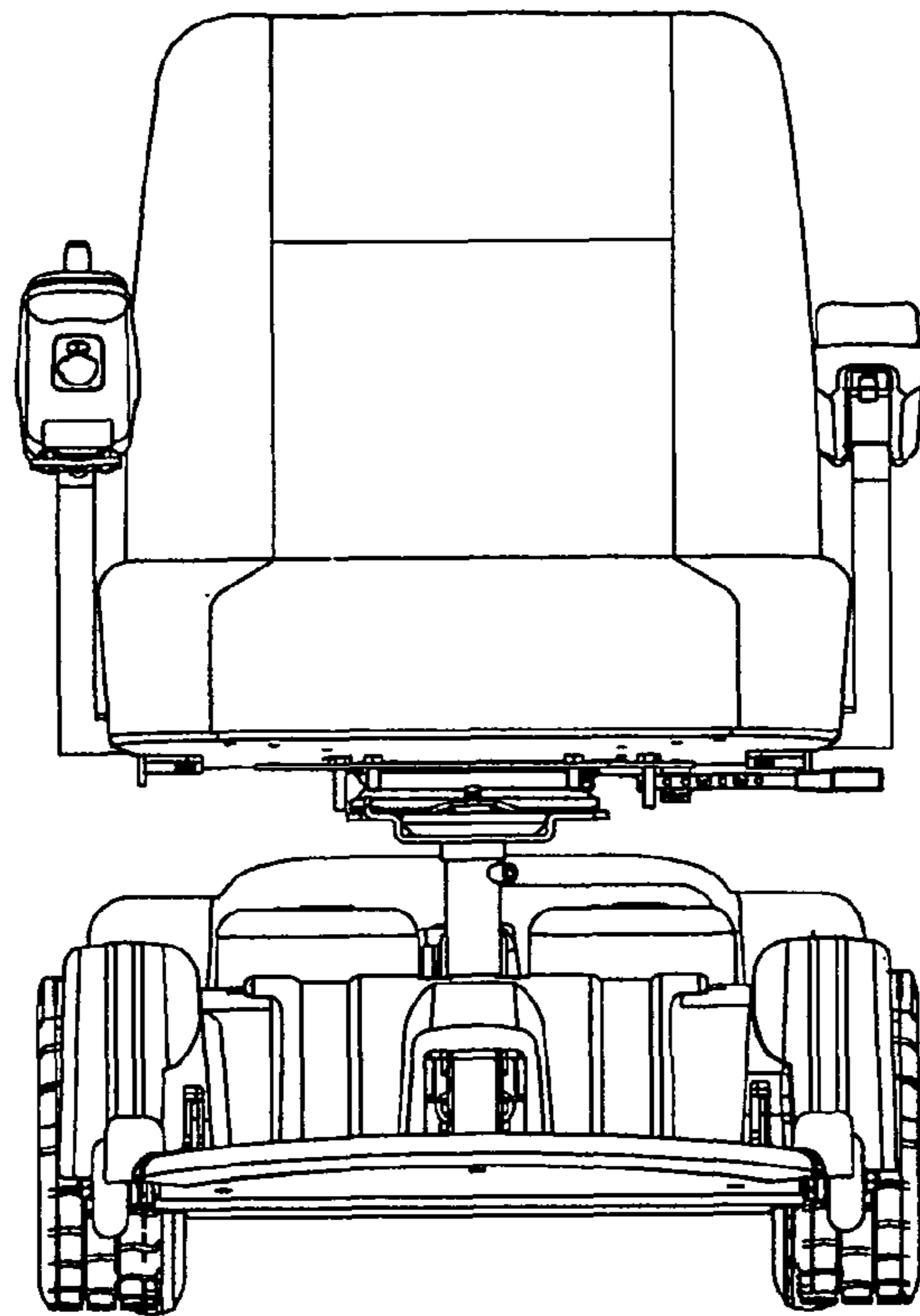


FIG. 3

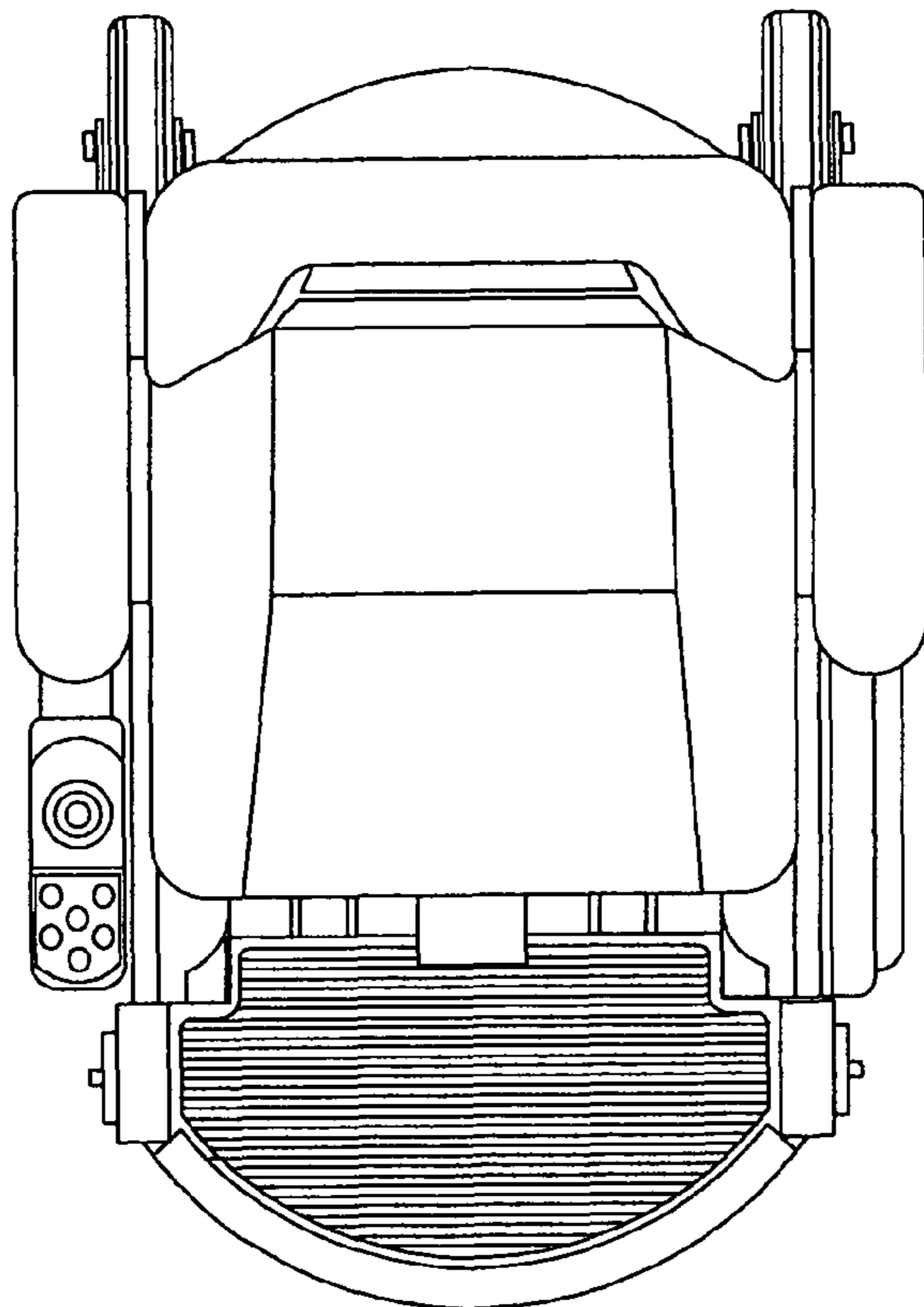


FIG. 4

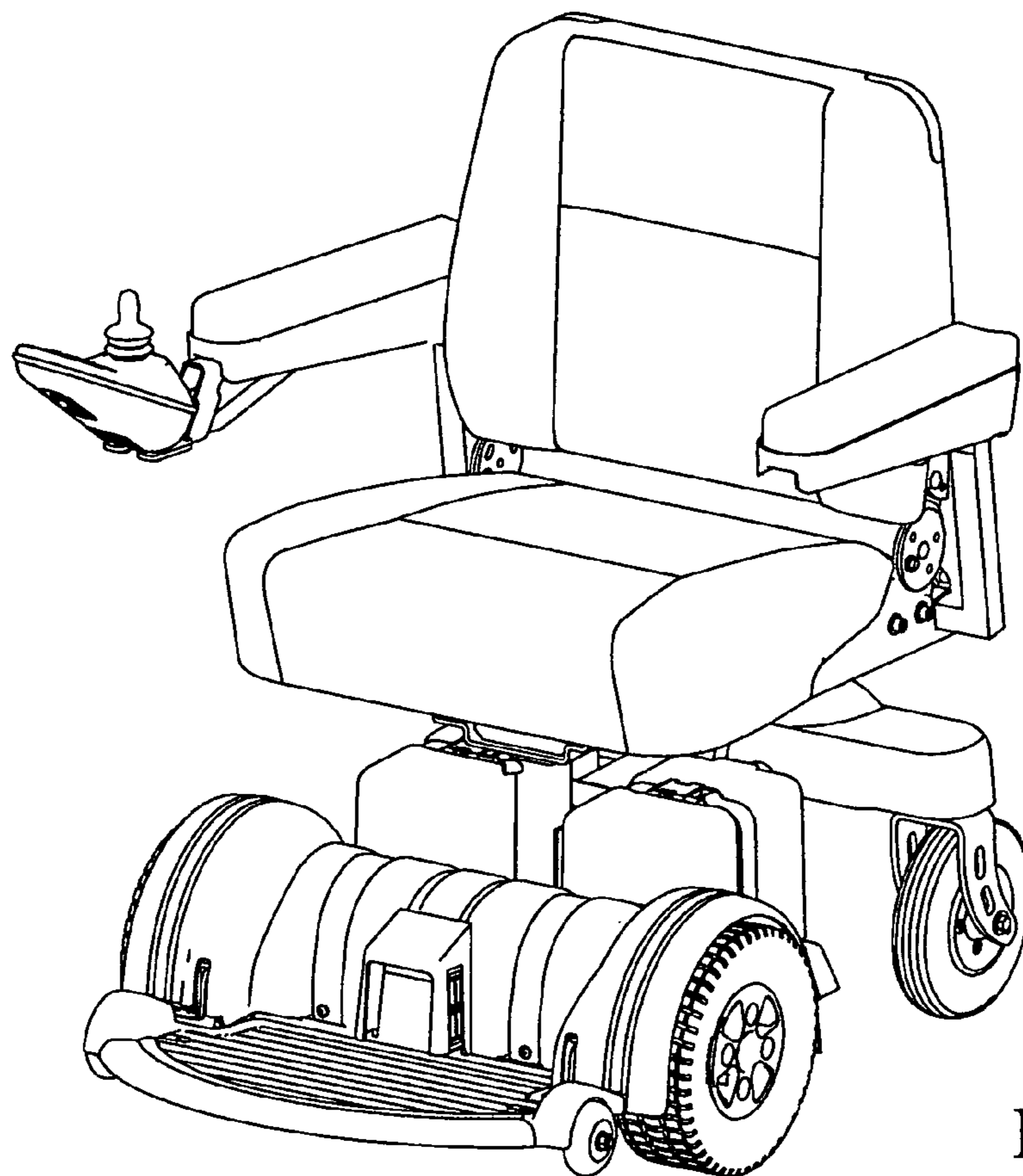


FIG. 5

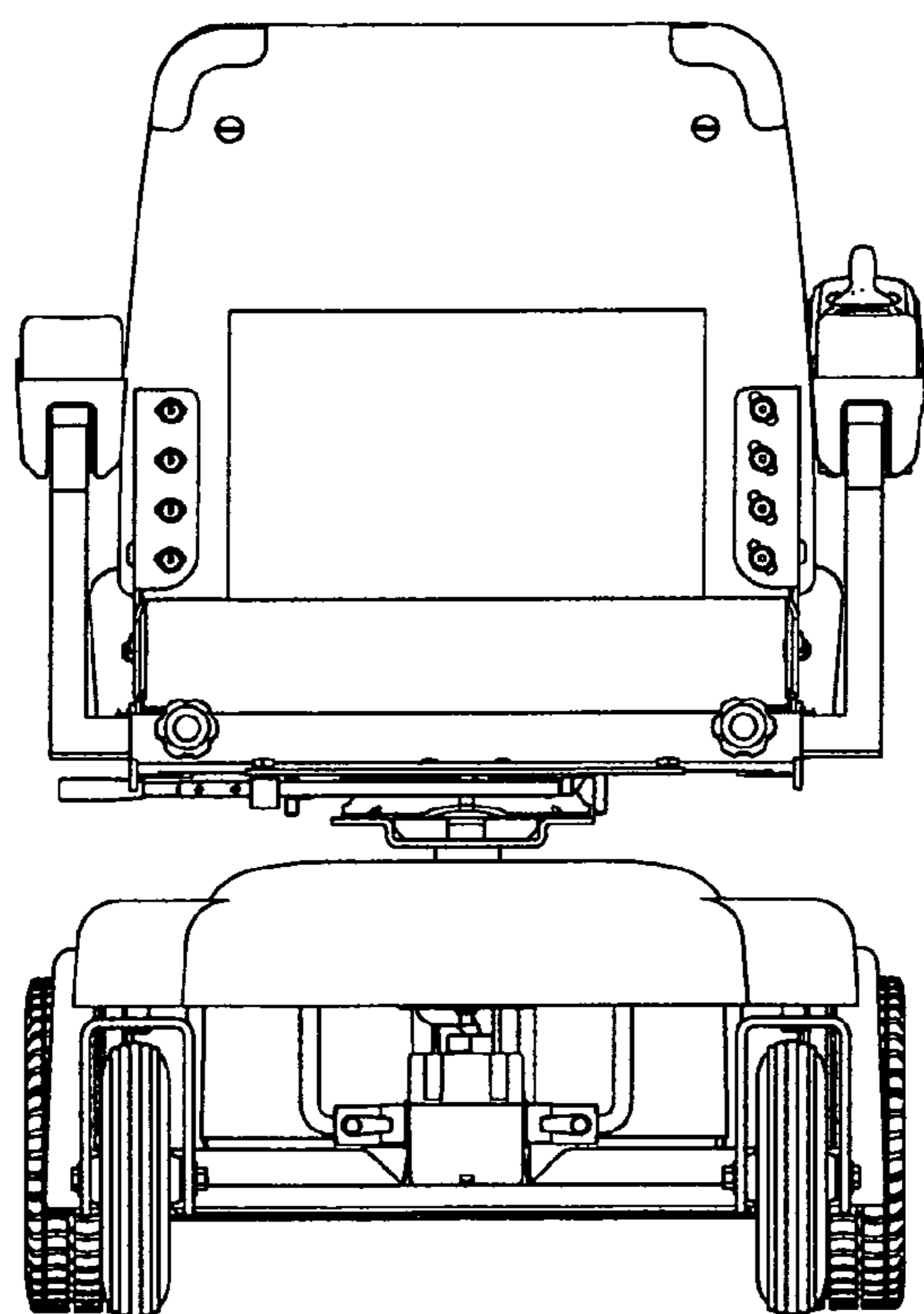


FIG. 6

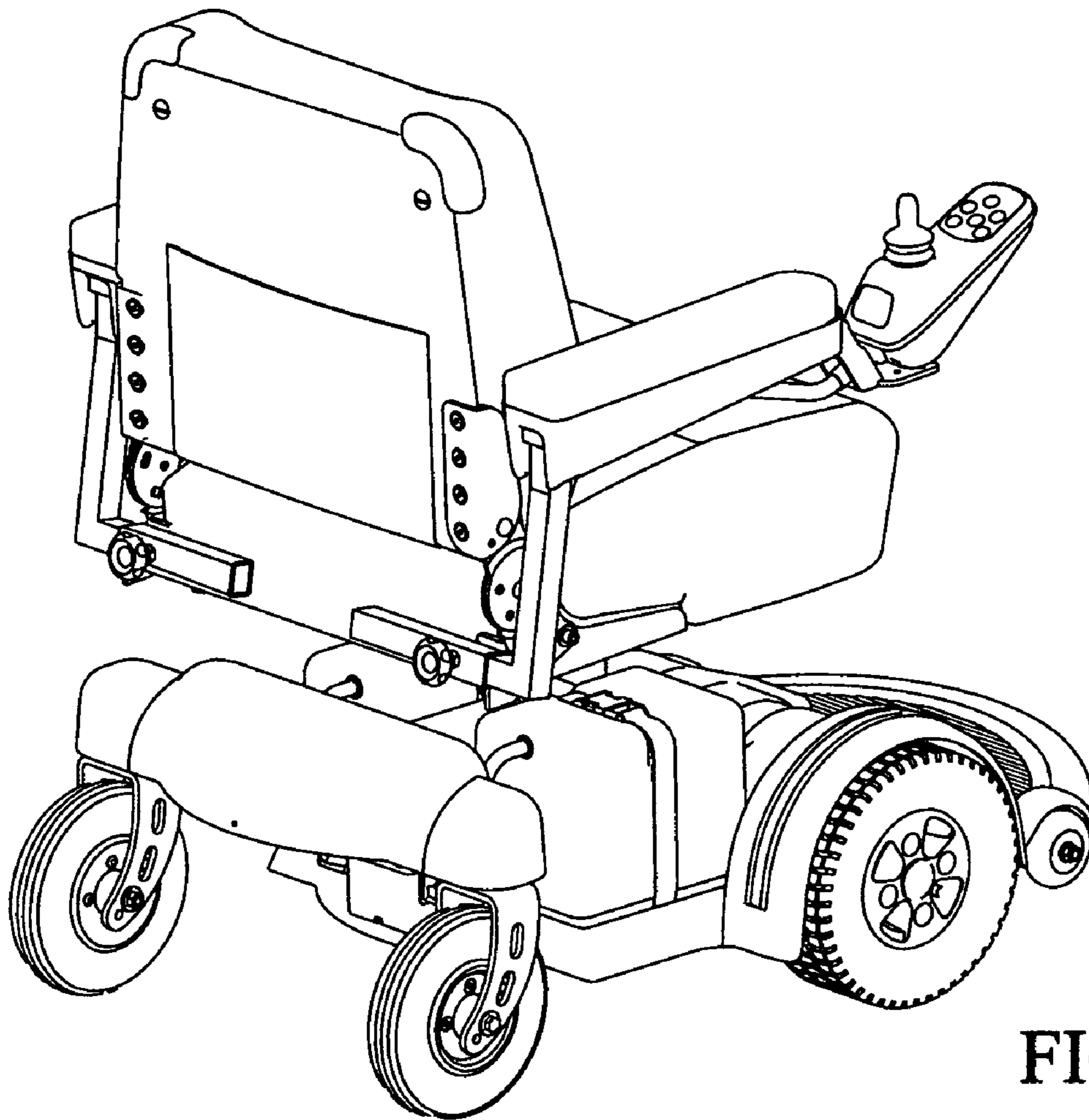


FIG. 7

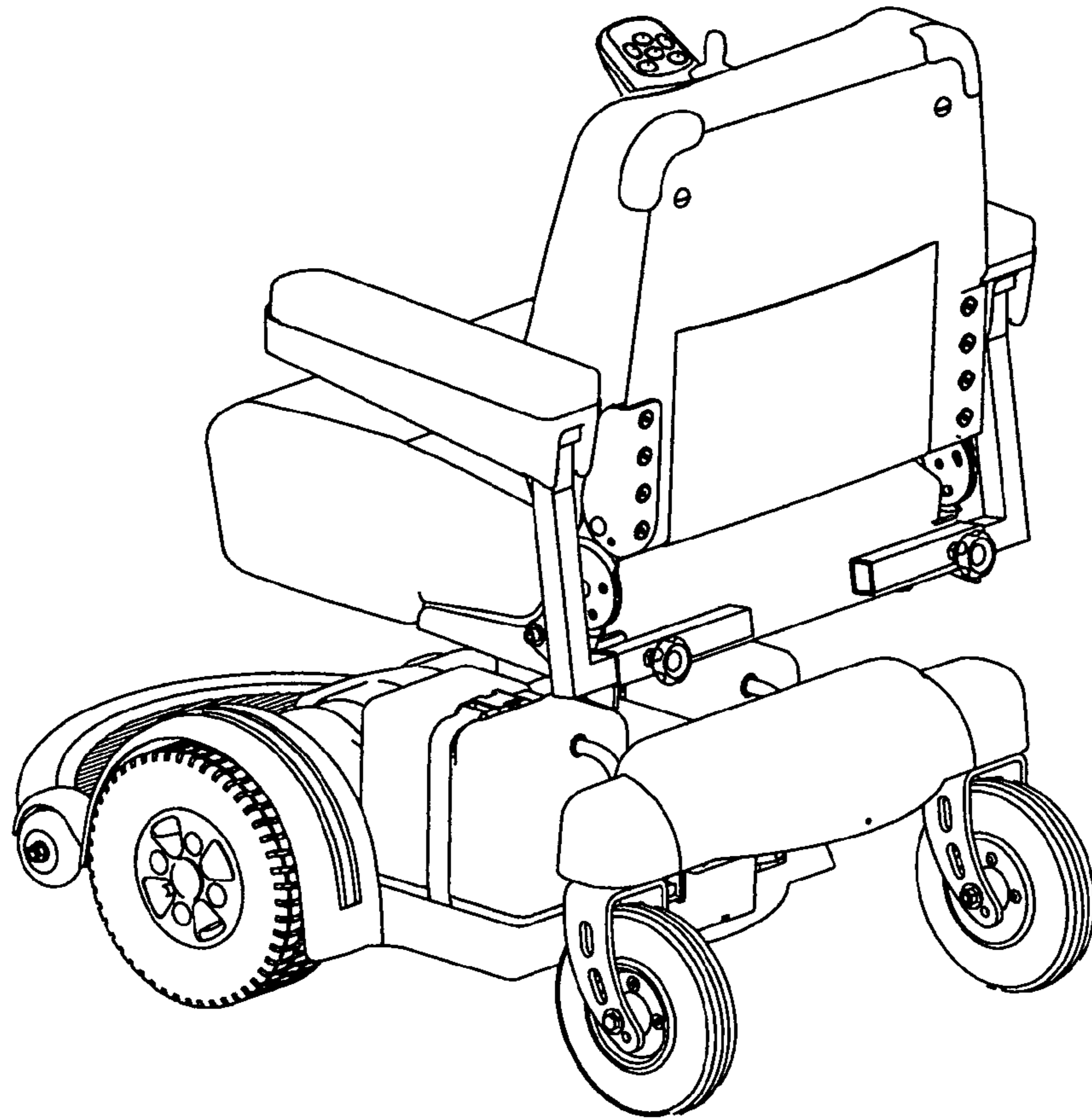


FIG. 8

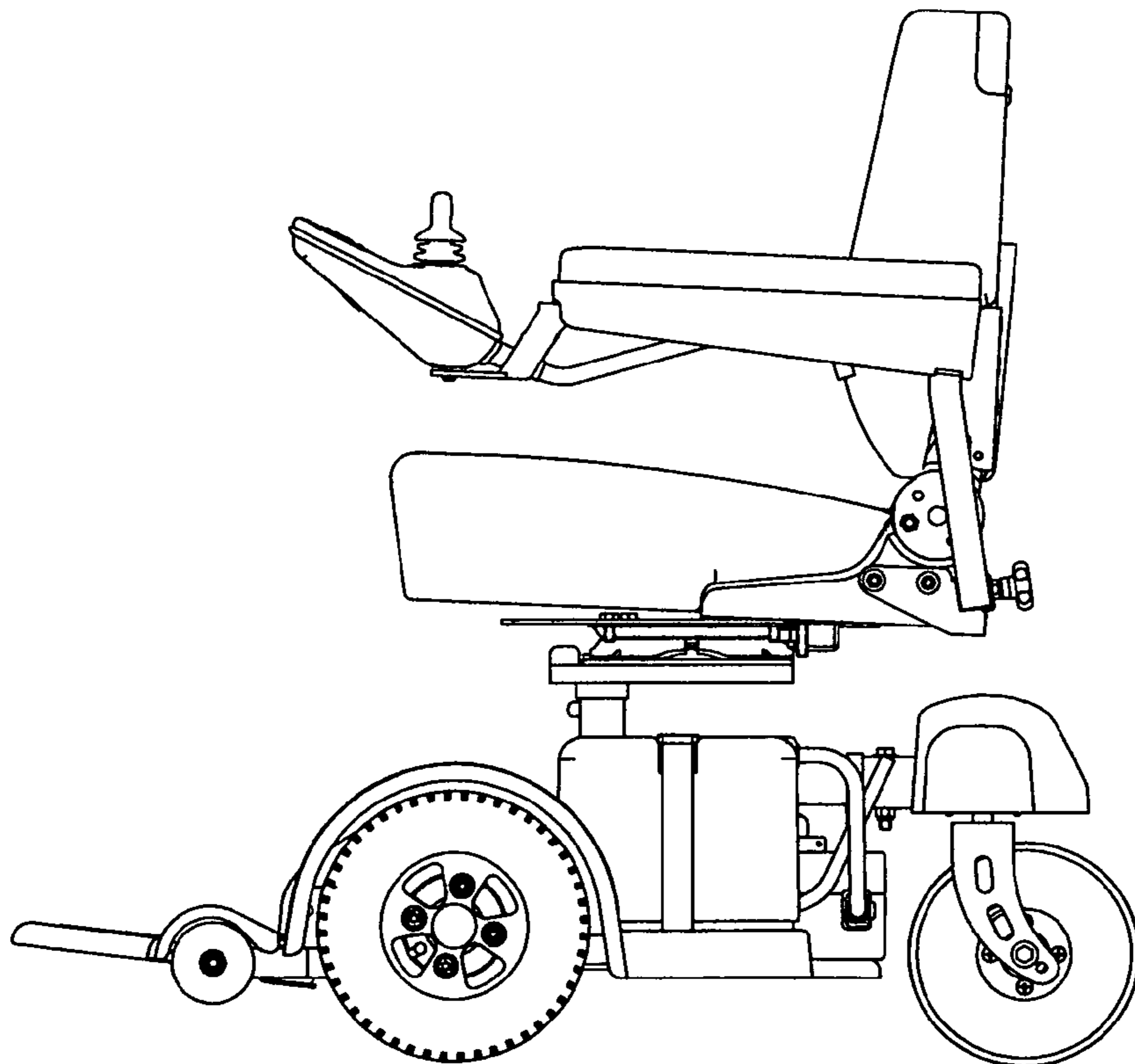


FIG. 9