



US00D632227S

(12) **United States Design Patent**
Lambri

(10) **Patent No.:** **US D632,227 S**

(45) **Date of Patent:** **** Feb. 8, 2011**

(54) **MOTORCYCLE**

(75) Inventor: **Marco Lambri**, Pontedera (IT)

(73) Assignee: **Piaggio & C. S.p.A.**, Pontedera (Pisa)
(IT)

(**) Term: **14 Years**

(21) Appl. No.: **29/354,195**

(22) Filed: **Jan. 20, 2010**

(30) **Foreign Application Priority Data**

Jul. 28, 2009 (EM) 001594961

(51) **LOC (9) Cl.** **12-11**

(52) **U.S. Cl.** **D12/110**

(58) **Field of Classification Search** D12/110;
180/219, 220

See application file for complete search history.

(56) **References Cited**

U.S. PATENT DOCUMENTS

D539,706 S * 4/2007 Huang D12/110

D586,700 S * 2/2009 Chiu et al. D12/110

D599,710 S * 9/2009 Chen et al. D12/110

D600,163 S * 9/2009 Kubota et al. D12/110

D602,402 S * 10/2009 Takahashi et al. D12/110

* cited by examiner

Primary Examiner—Susan M Lee

Assistant Examiner—Linda G. Brooks

(74) *Attorney, Agent, or Firm*—Hedman & Costigan, P.C.;
James V. Costigan

(57) **CLAIM**

The ornamental design for a motorcycle, as shown and described.

DESCRIPTION

FIG. 1 is a front side perspective view of the invention;

FIG. 2 is a front view of the invention;

FIG. 3 is a rear view of the invention;

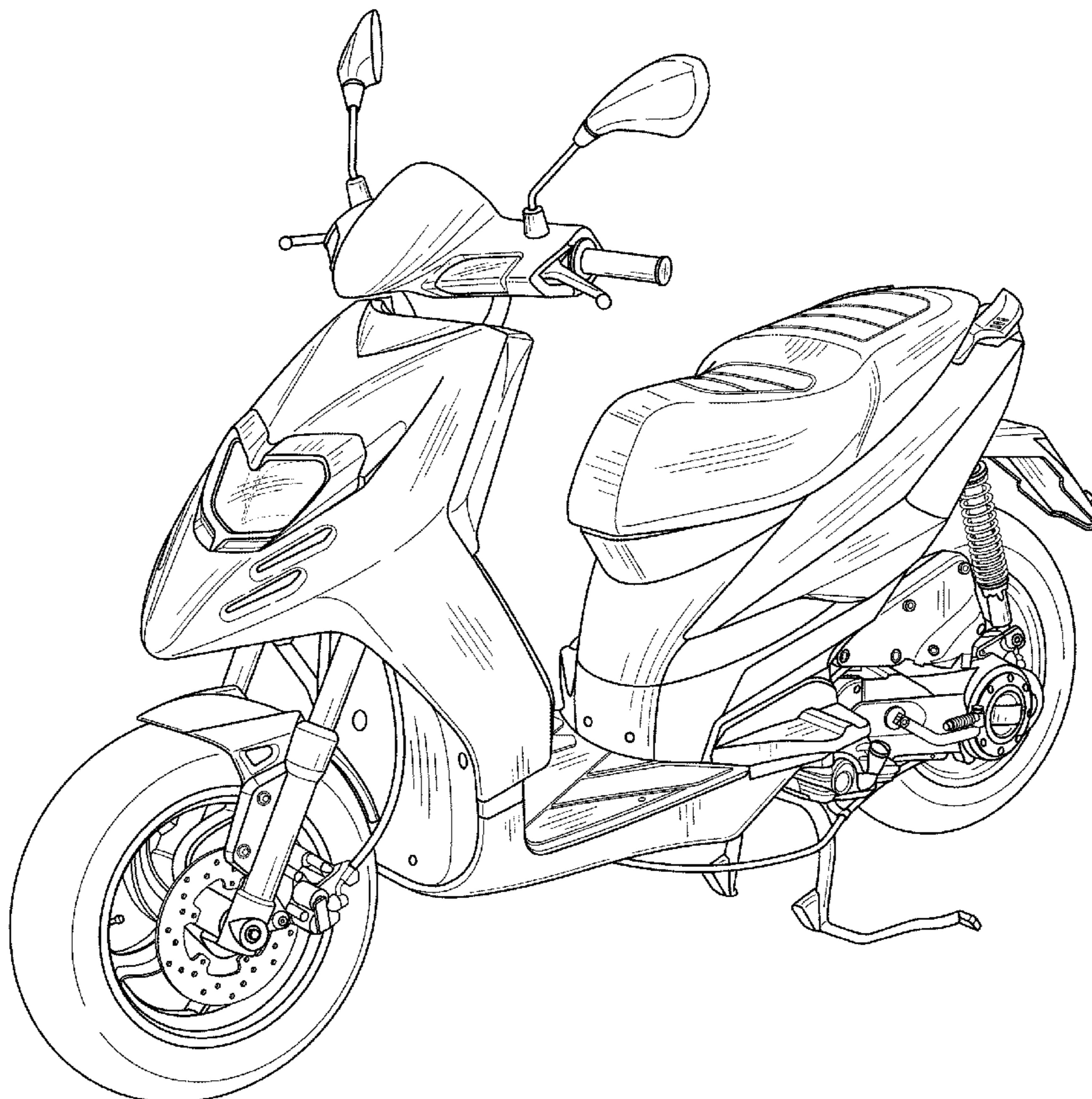
FIG. 4 is a left side view of the invention;

FIG. 5 is a right side view of the invention;

FIG. 6 is a top view of the invention; and,

FIG. 7 is a bottom view of the invention.

1 Claim, 7 Drawing Sheets



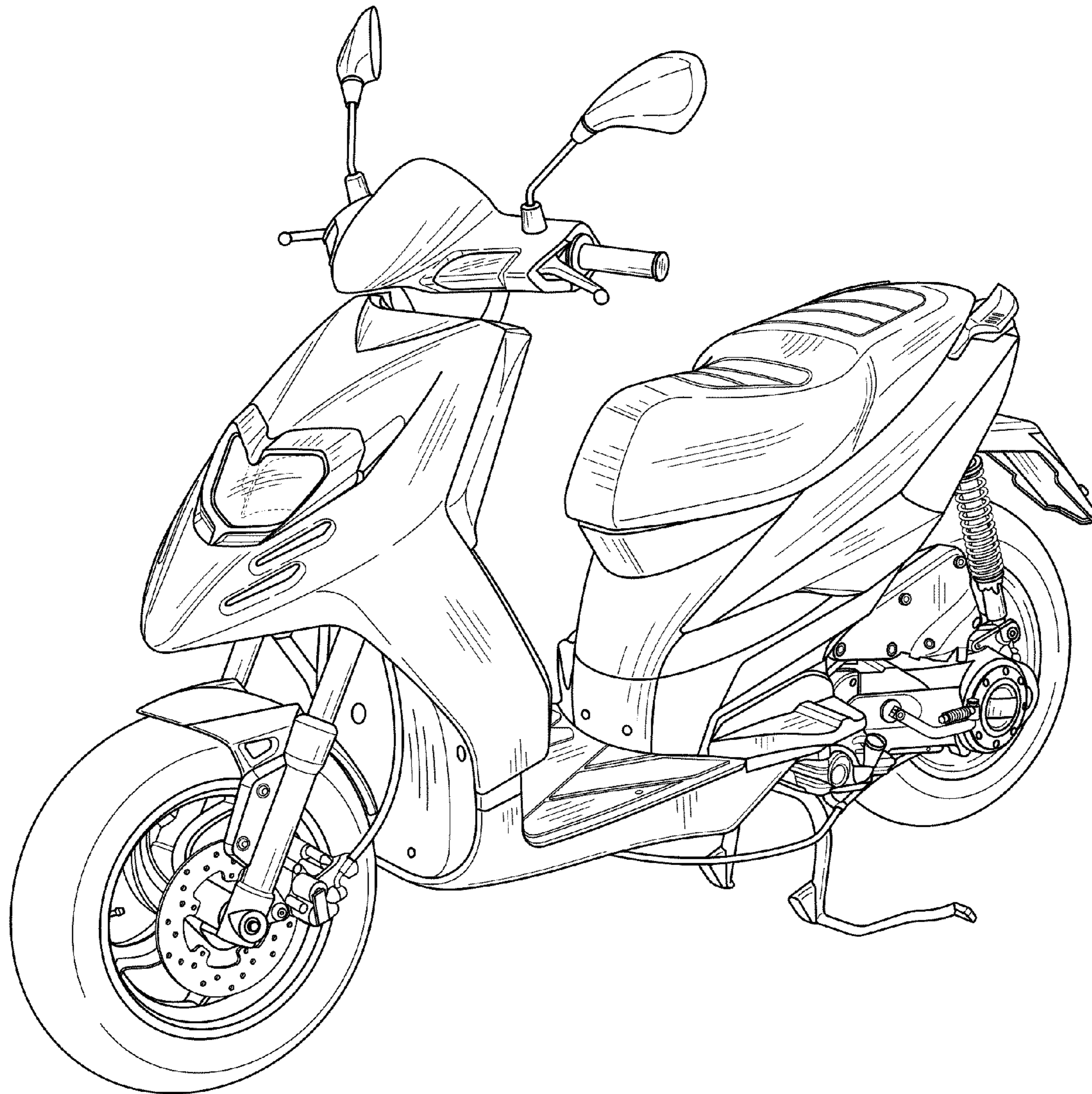


FIG. 1

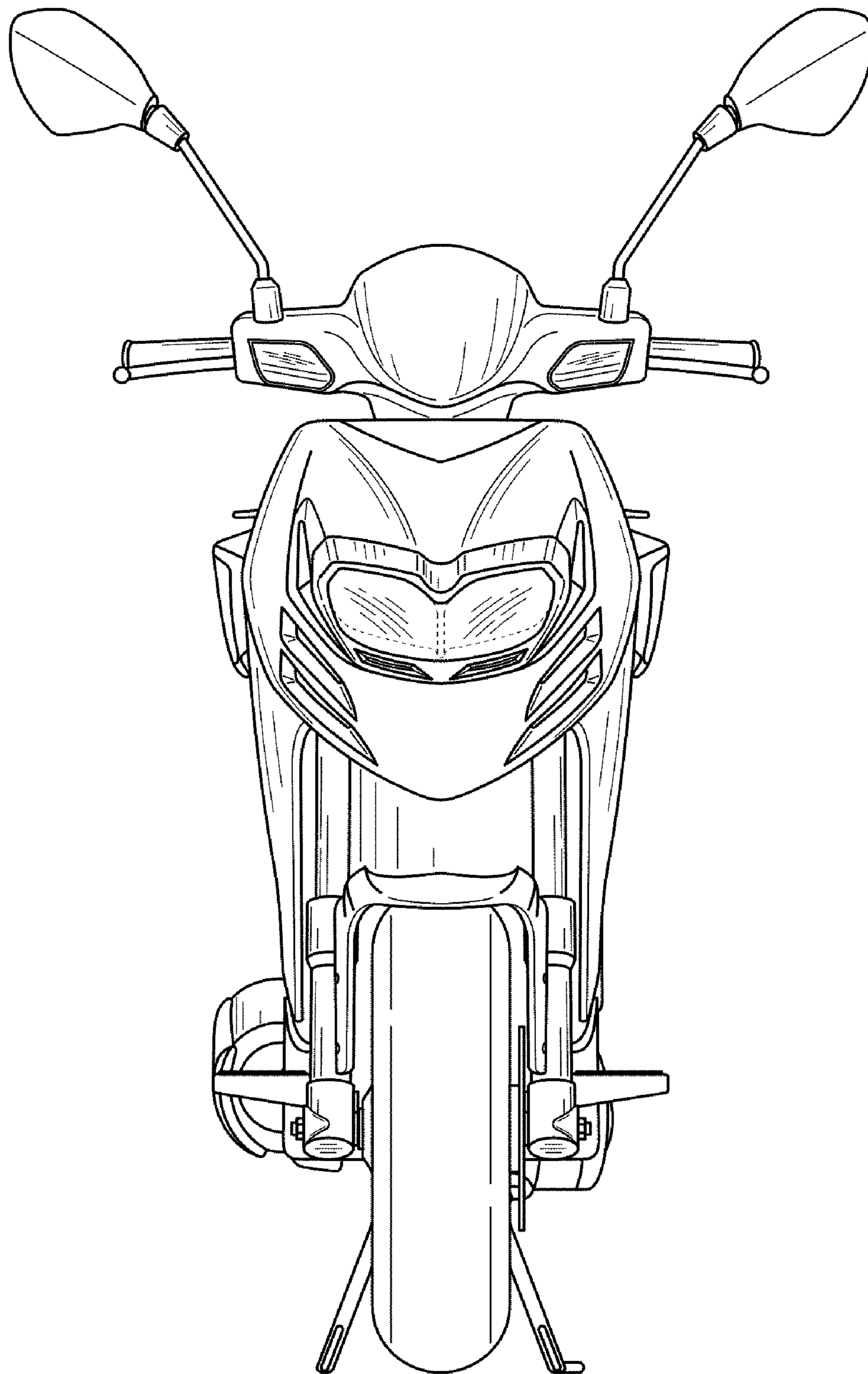


FIG. 2

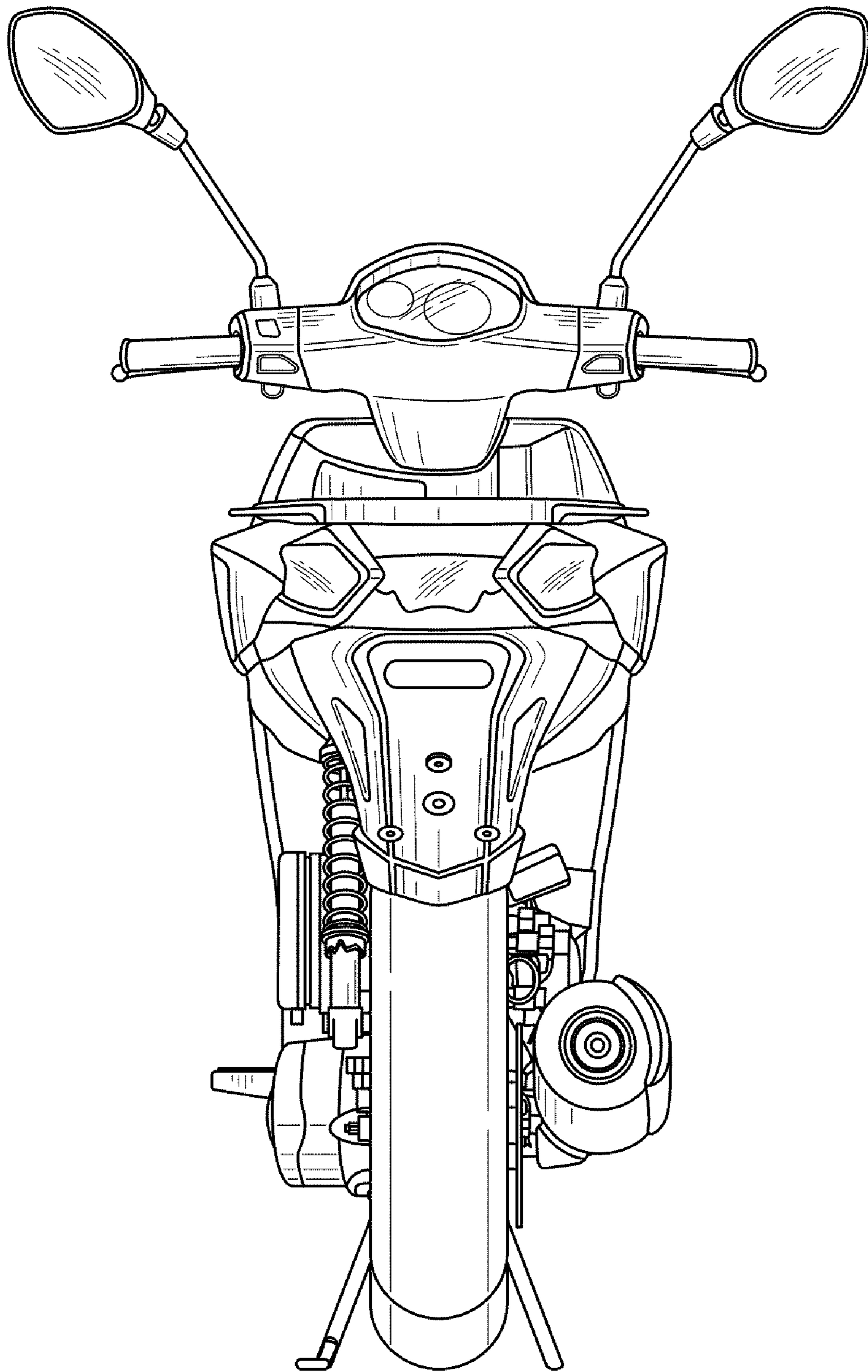


FIG. 3

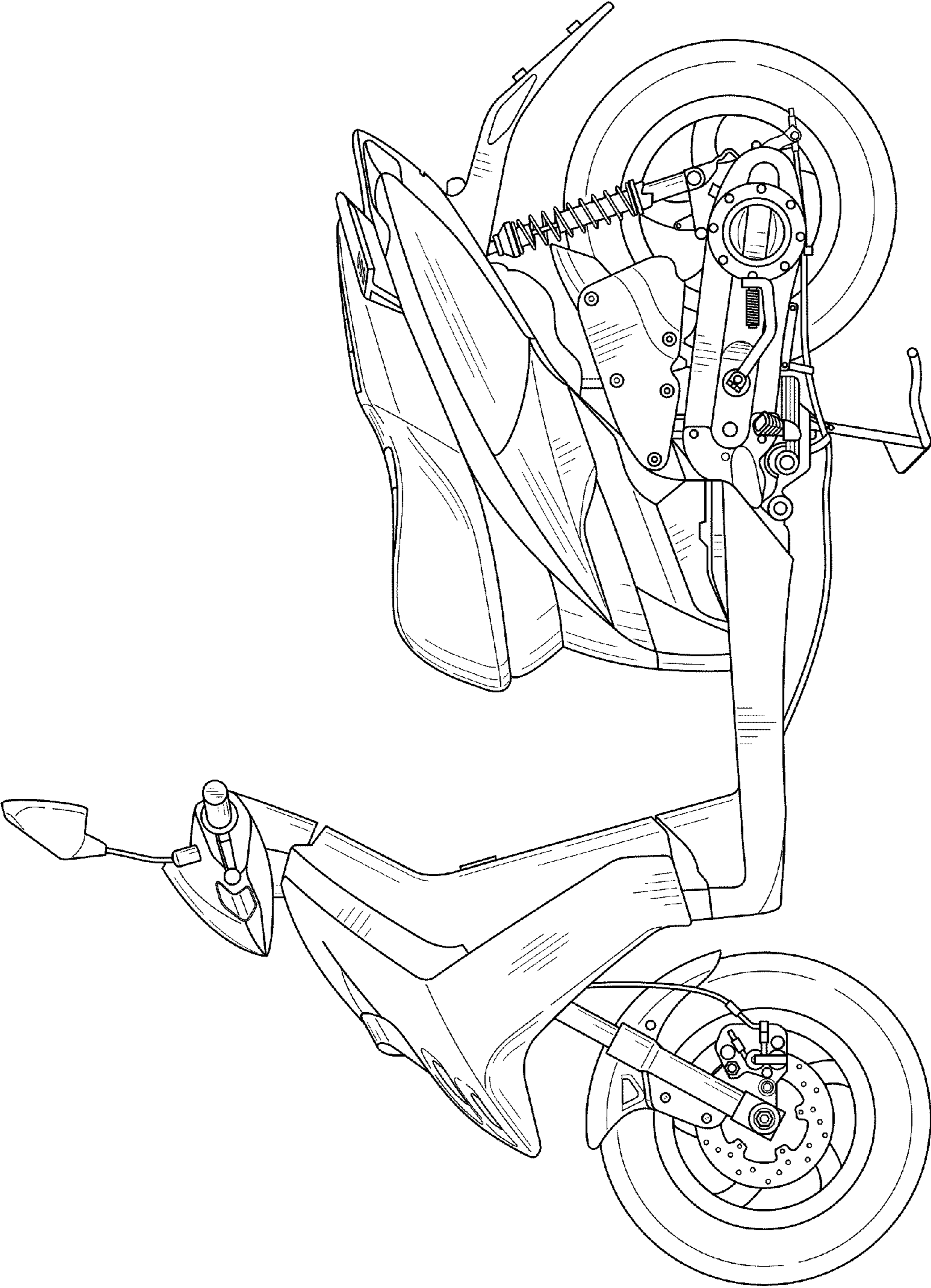


FIG. 4



FIG. 5

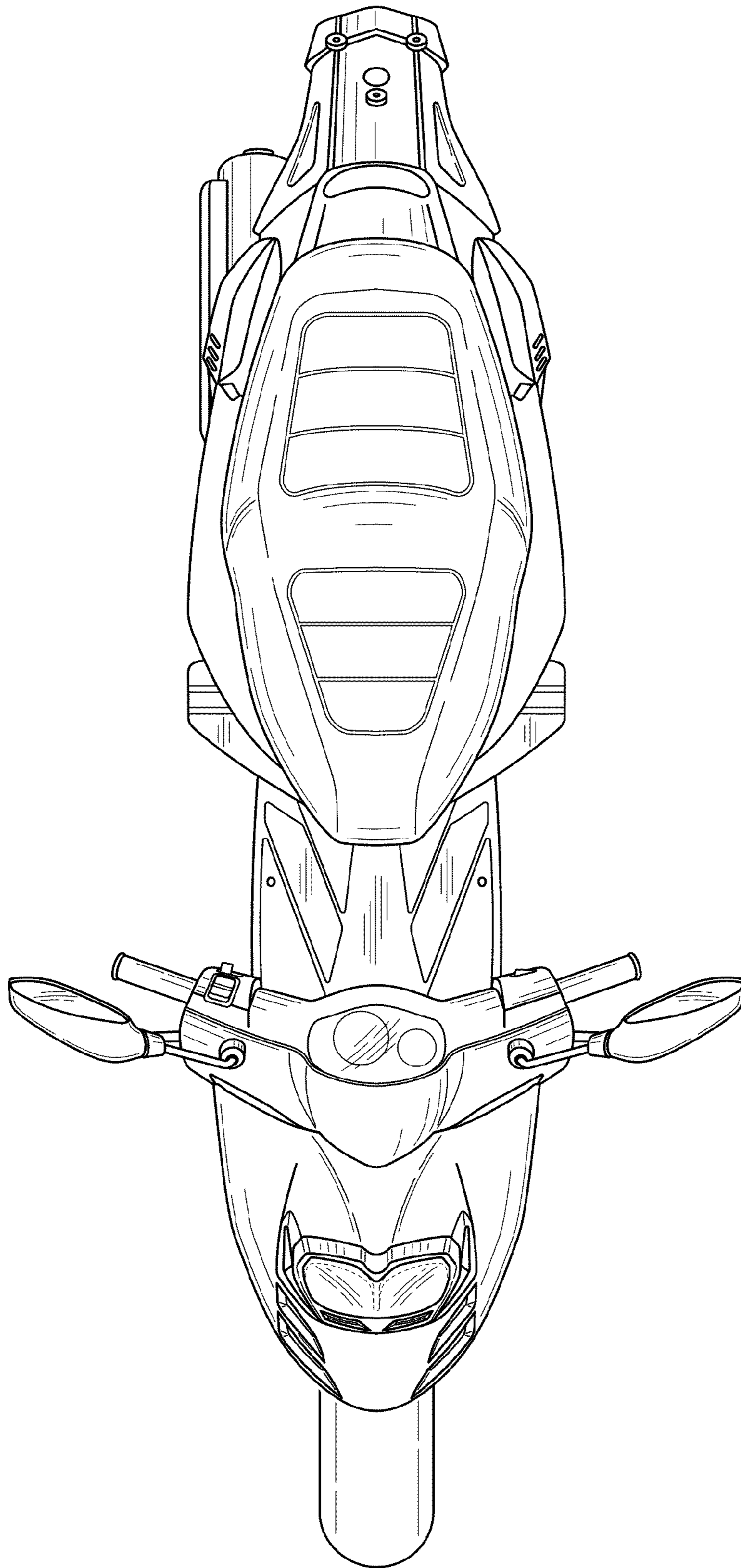


FIG. 6

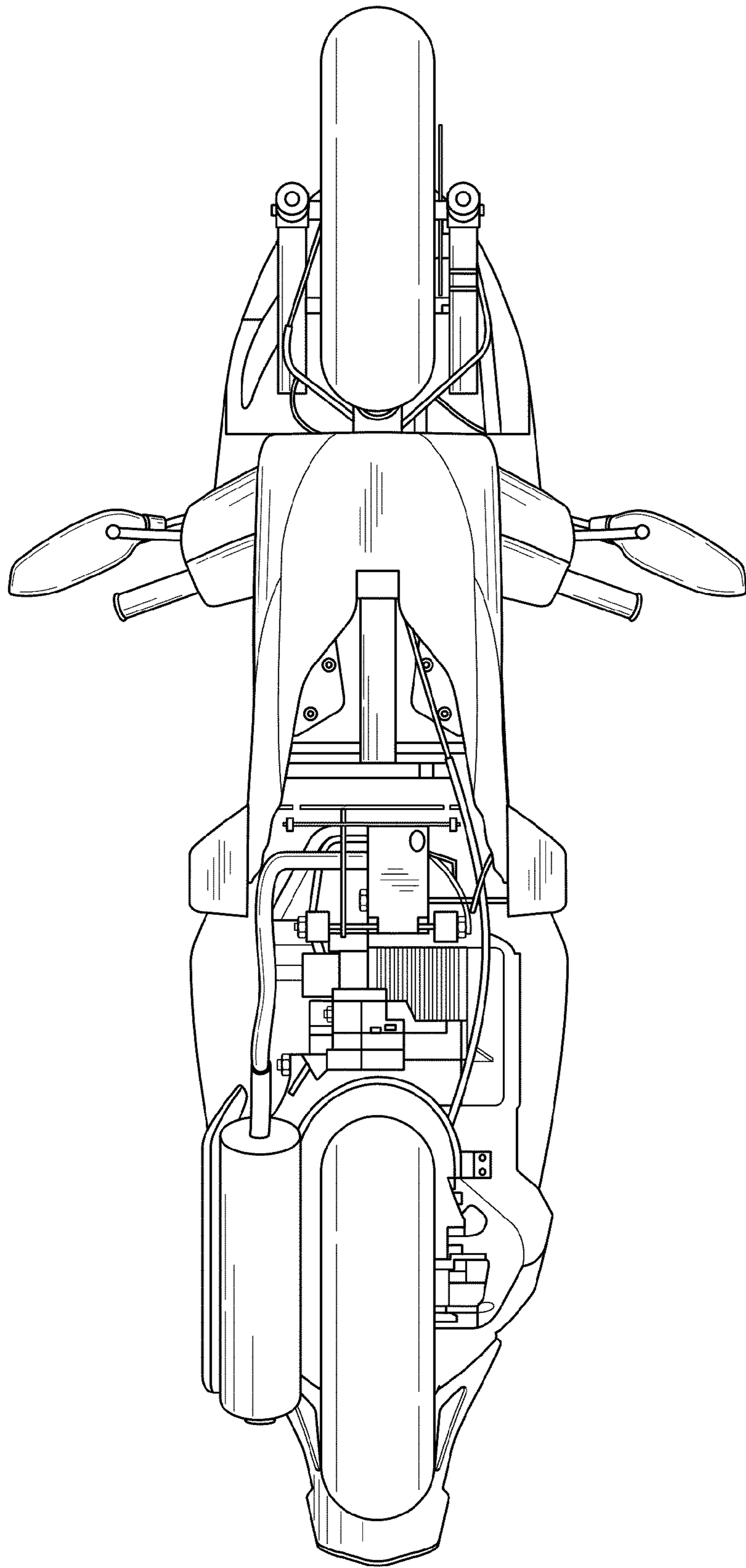


FIG. 7