



US00D632226S

(12) **United States Design Patent**
Miyata

(10) **Patent No.:** **US D632,226 S**
(45) **Date of Patent:** **** Feb. 8, 2011**

(54) **MOTORCYCLE**

D604,204 S 11/2009 Uchiyama
D610,044 S 2/2010 Sugimoto

(75) Inventor: **Ichiro Miyata**, Hamamatsu (JP)

* cited by examiner

(73) Assignee: **Suzuki Motor Corporation**,
Shizuoka-Pref. (JP)

Primary Examiner—Susan M Lee
Assistant Examiner—Linda G. Brooks

(**) Term: **14 Years**

(74) *Attorney, Agent, or Firm*—Lando & Anastasi, LLP

(21) Appl. No.: **29/338,506**

(57) **CLAIM**

(22) Filed: **Jun. 12, 2009**

The ornamental design for a motorcycle, as shown and described.

(51) **LOC (9) Cl.** **12-11**

(52) **U.S. Cl.** **D12/110**

(58) **Field of Classification Search** D12/110;
180/219, 220, 225, 229

See application file for complete search history.

DESCRIPTION

FIG. 1 is a front elevational view of the motorcycle according to my new design.

FIG. 2 is a rear elevational view.

FIG. 3 is a top plan view.

FIG. 4 is a bottom plan view.

FIG. 5 is a right side elevational view of the motorcycle of FIG. 1.

FIG. 6 is a left side elevational view.

FIG. 7 is a front perspective view as seen from the right side of FIG. 1.

FIG. 8 is a rear perspective view as seen from the right side of FIG. 1.

FIG. 9 is a front perspective view as seen from the left side of FIG. 1; and,

FIG. 10 is a rear perspective view as seen from the right side of FIG. 1.

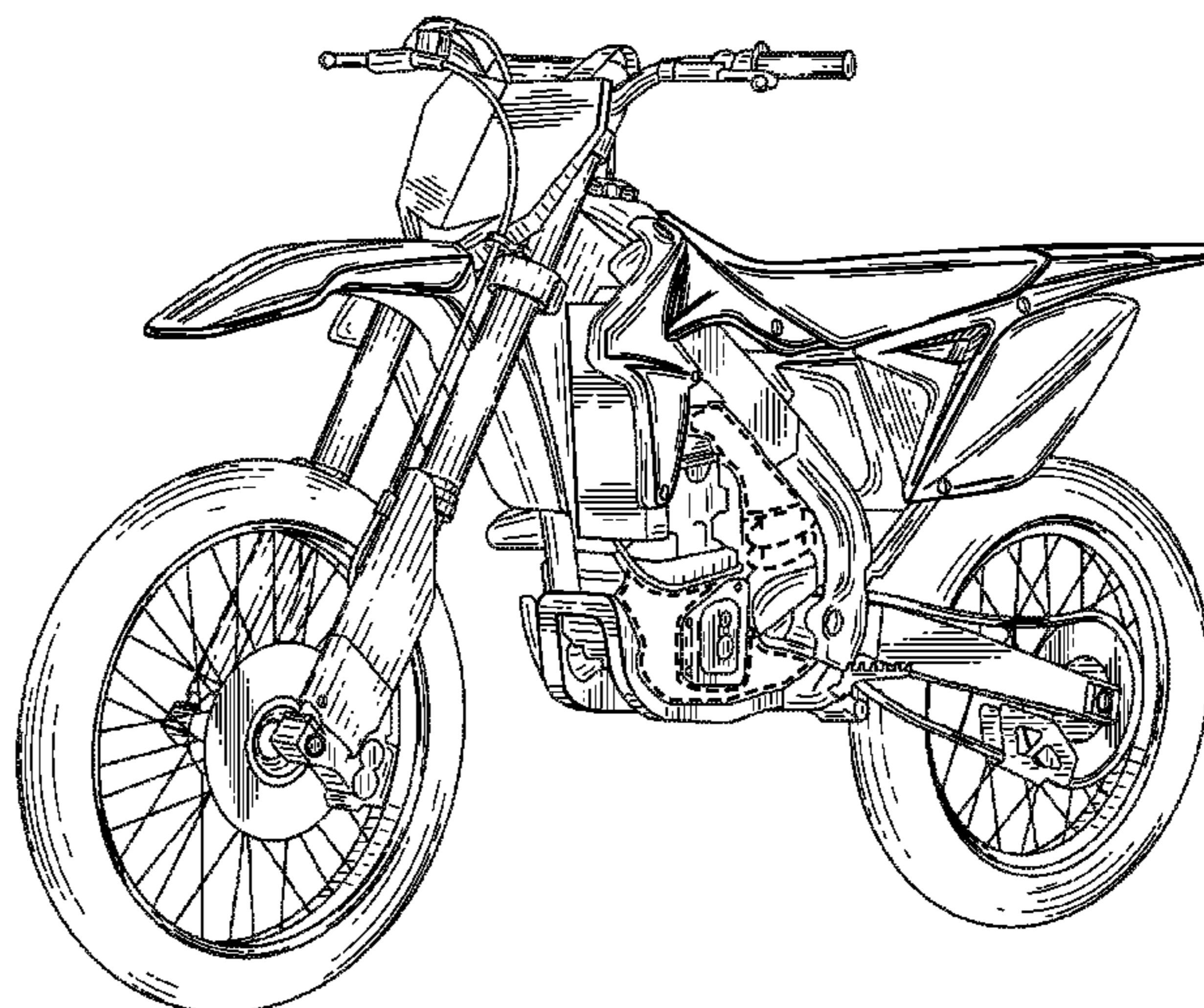
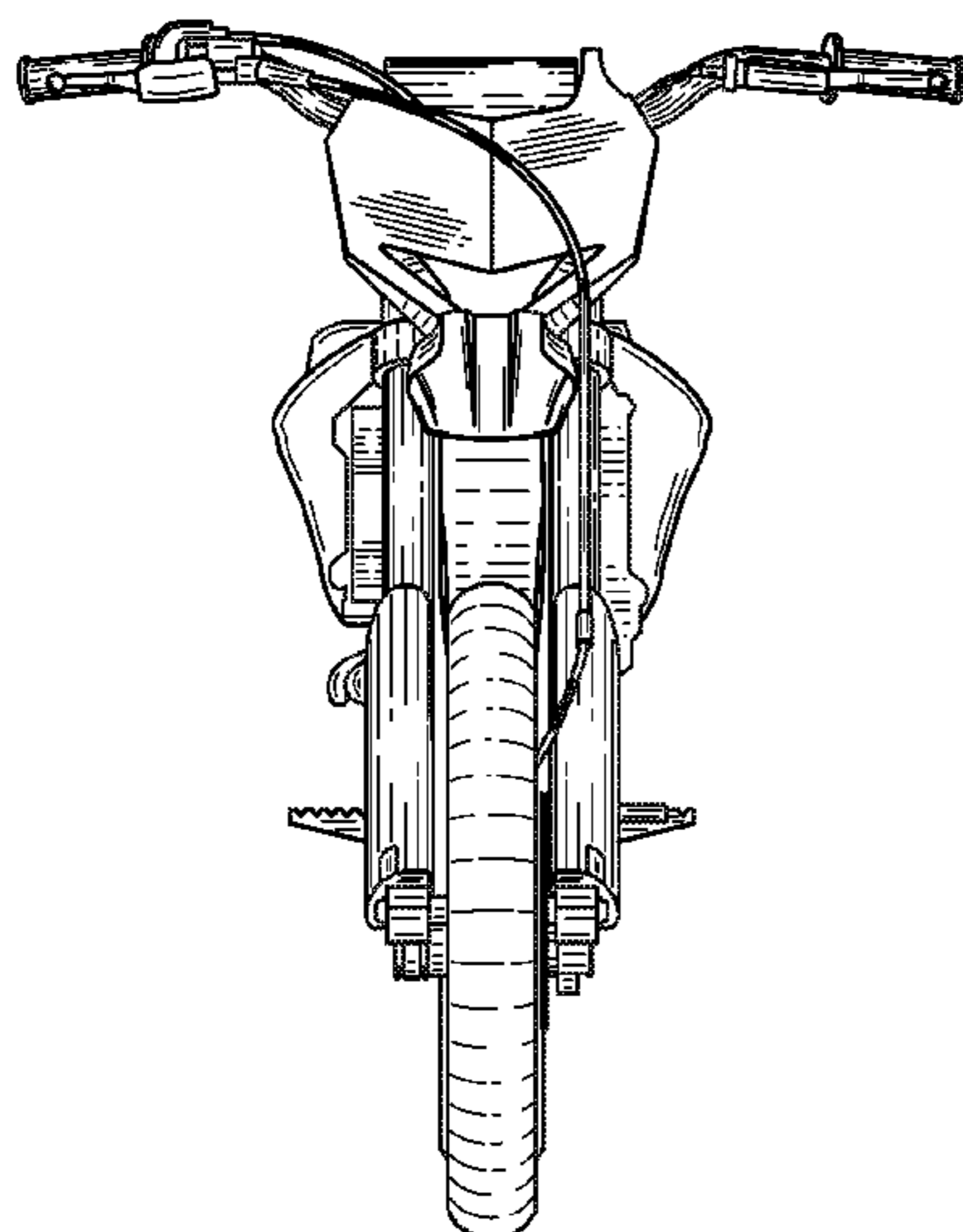
The broken lines showing portions of the motorcycle illustrate environmental structure that forms no part of the claimed design.

(56) **References Cited**

U.S. PATENT DOCUMENTS

D384,601 S	*	10/1997	Hiruma et al.	D12/110
D385,226 S	*	10/1997	Mogi et al.	D12/110
D387,017 S	*	12/1997	Wakita et al.	D12/110
D392,601 S		3/1998	Ban et al.		
D394,027 S		5/1998	Ban et al.		
D395,621 S		6/1998	Nishino		
D419,922 S	*	2/2000	Yamase et al.	D12/110
D439,868 S		4/2001	Sugimoto		
D440,189 S		4/2001	Ban et al.		
D470,799 S		2/2003	Yamaguchi et al.		
D513,481 S	*	1/2006	Lin	D12/110
D522,925 S		6/2006	Nishino		
D523,783 S	*	6/2006	Sugimoto	D12/110
D525,919 S		8/2006	Sugimoto		
D572,629 S		7/2008	Kawagishi		
D581,840 S	*	12/2008	Ichihara et al.	D12/110
D583,714 S	*	12/2008	Ichihara et al.	D12/110
D588,504 S		3/2009	Kawagishi		
D590,302 S	*	4/2009	Tanaka et al.	D12/110

1 Claim, 10 Drawing Sheets



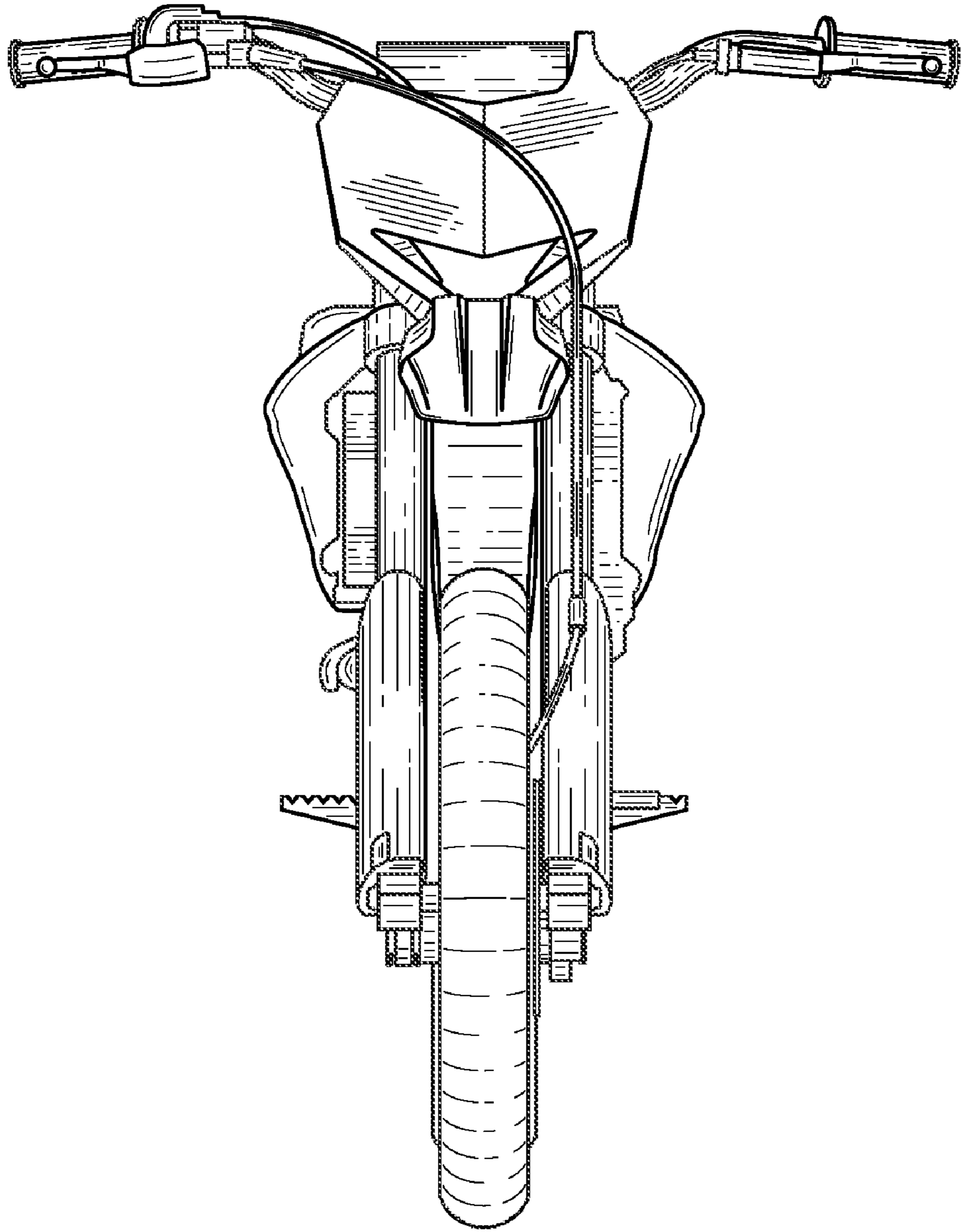


FIG. 1

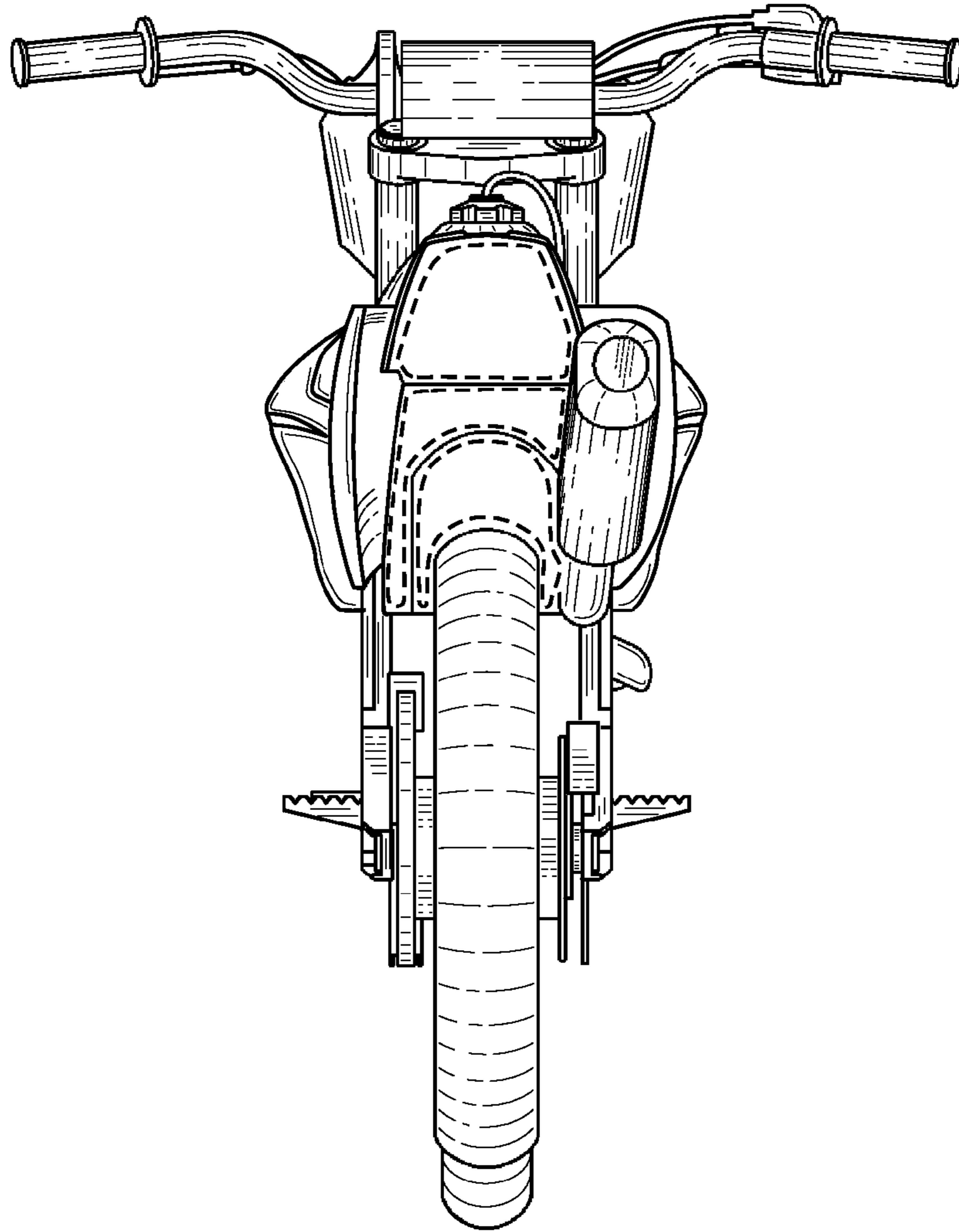


FIG. 2

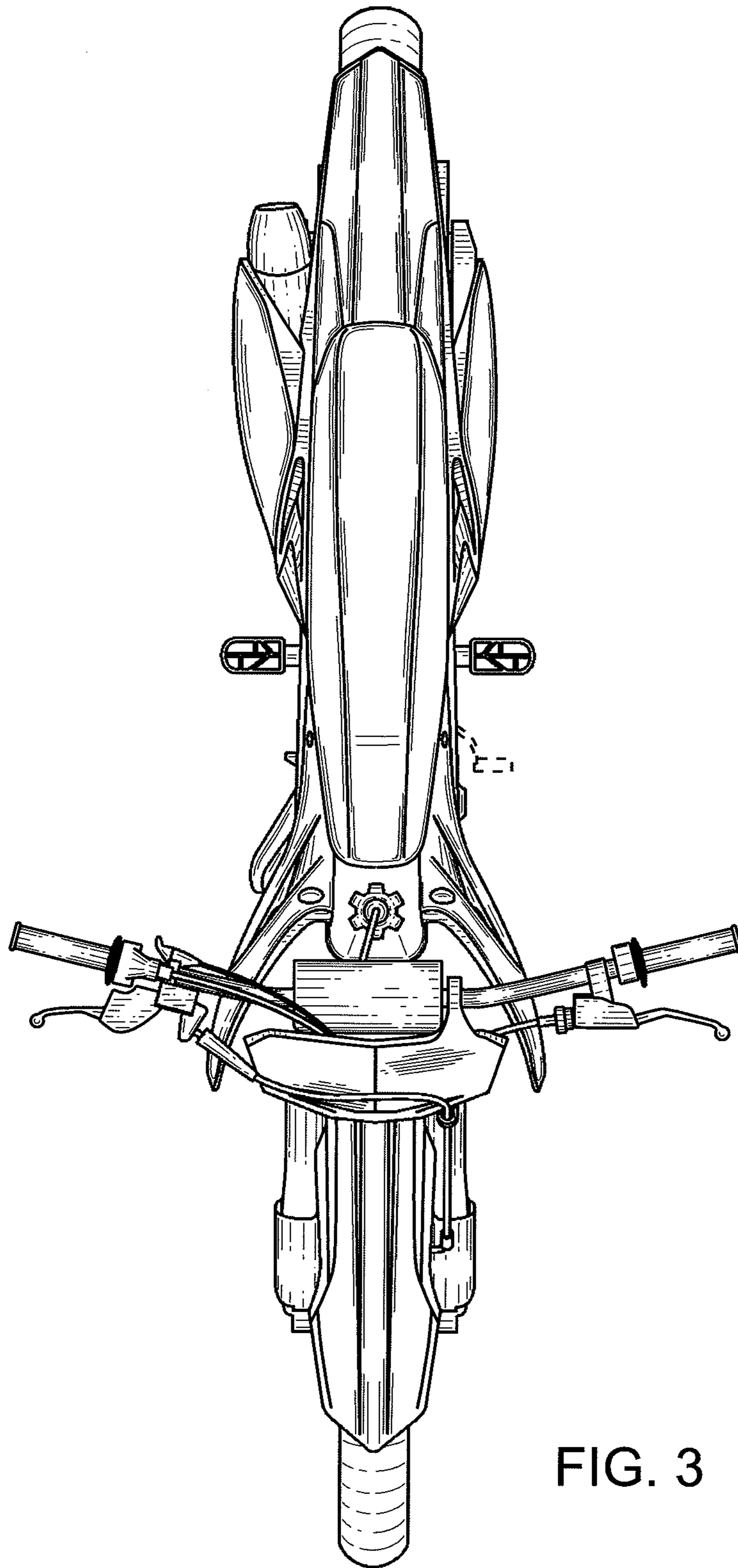


FIG. 3

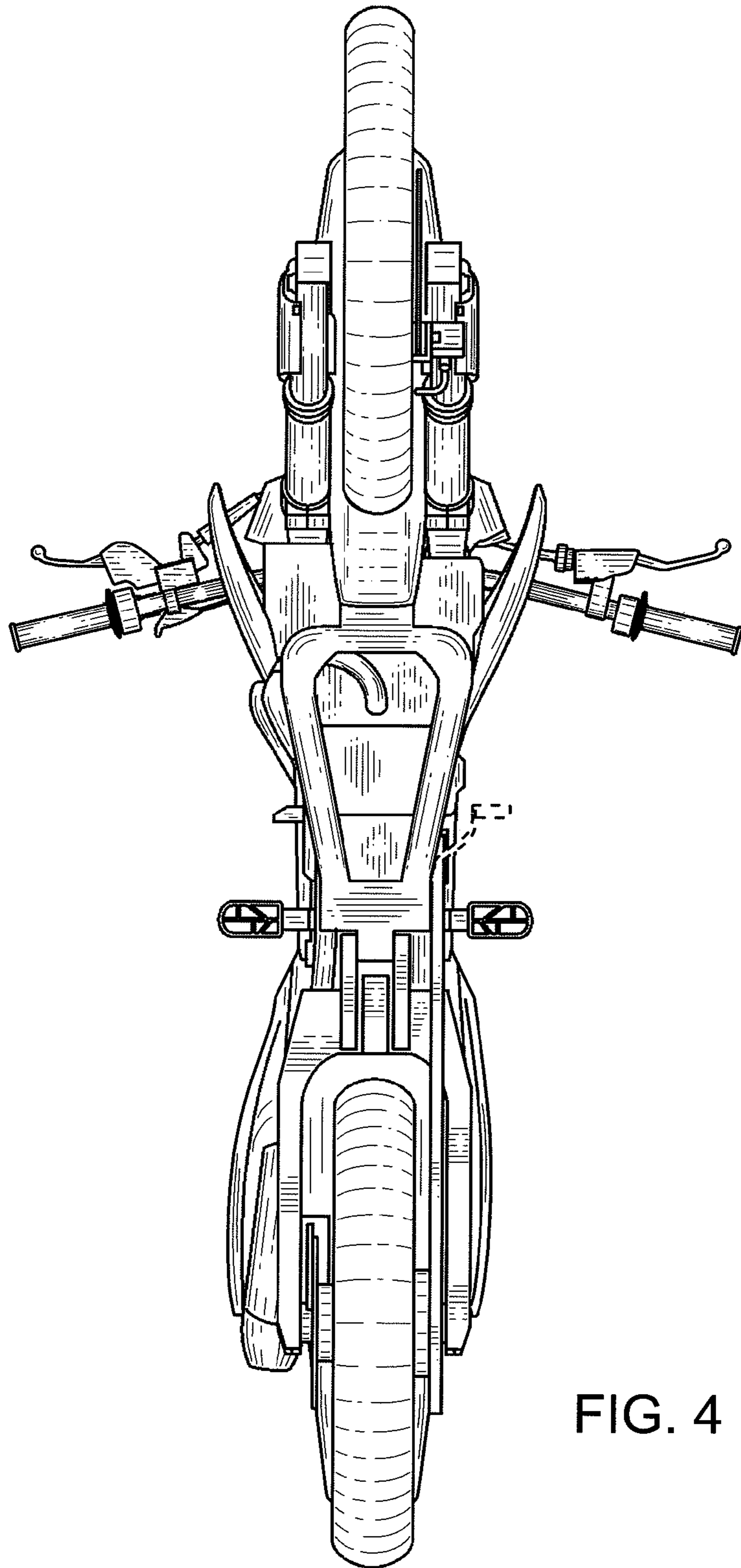


FIG. 4

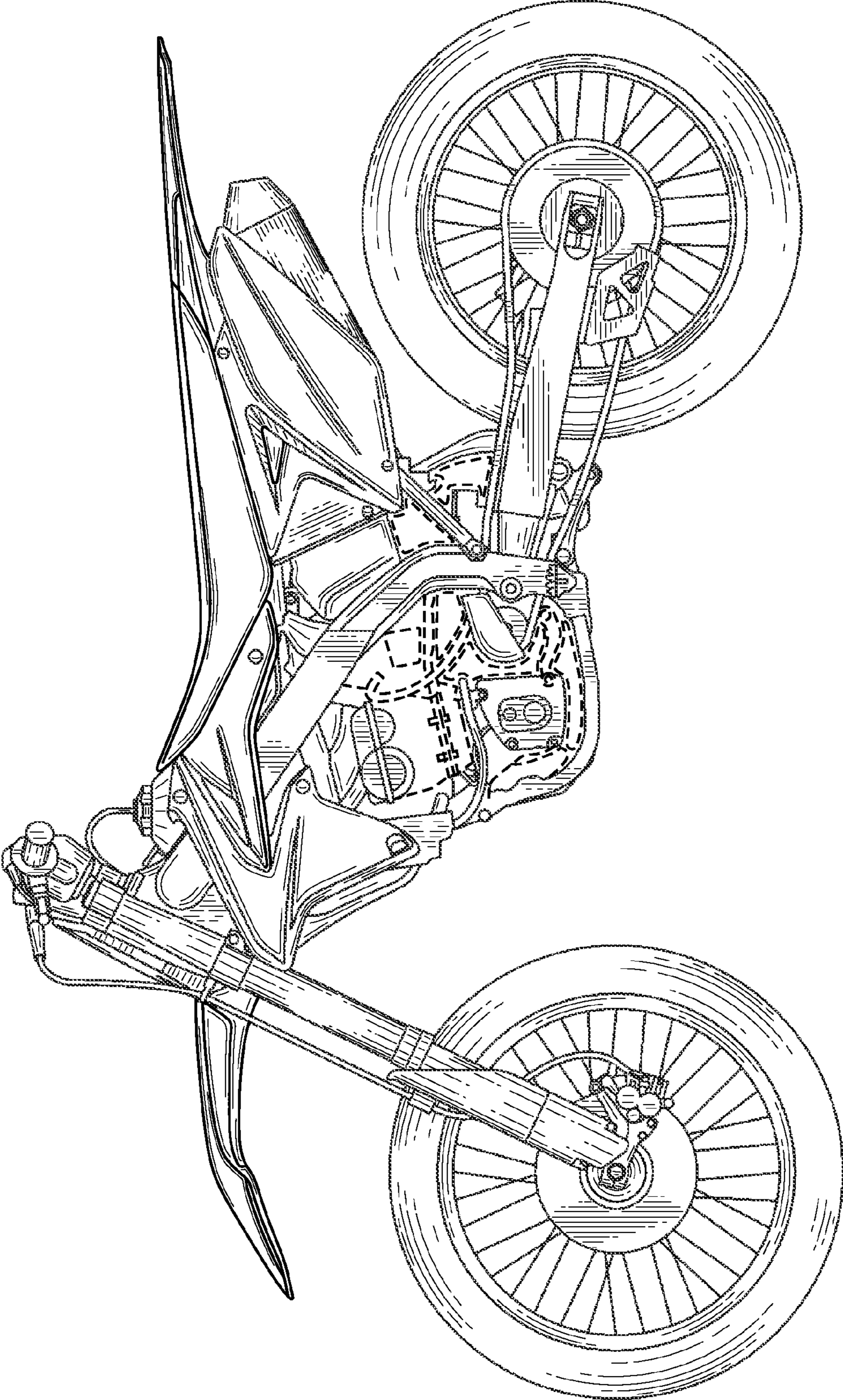


FIG. 5

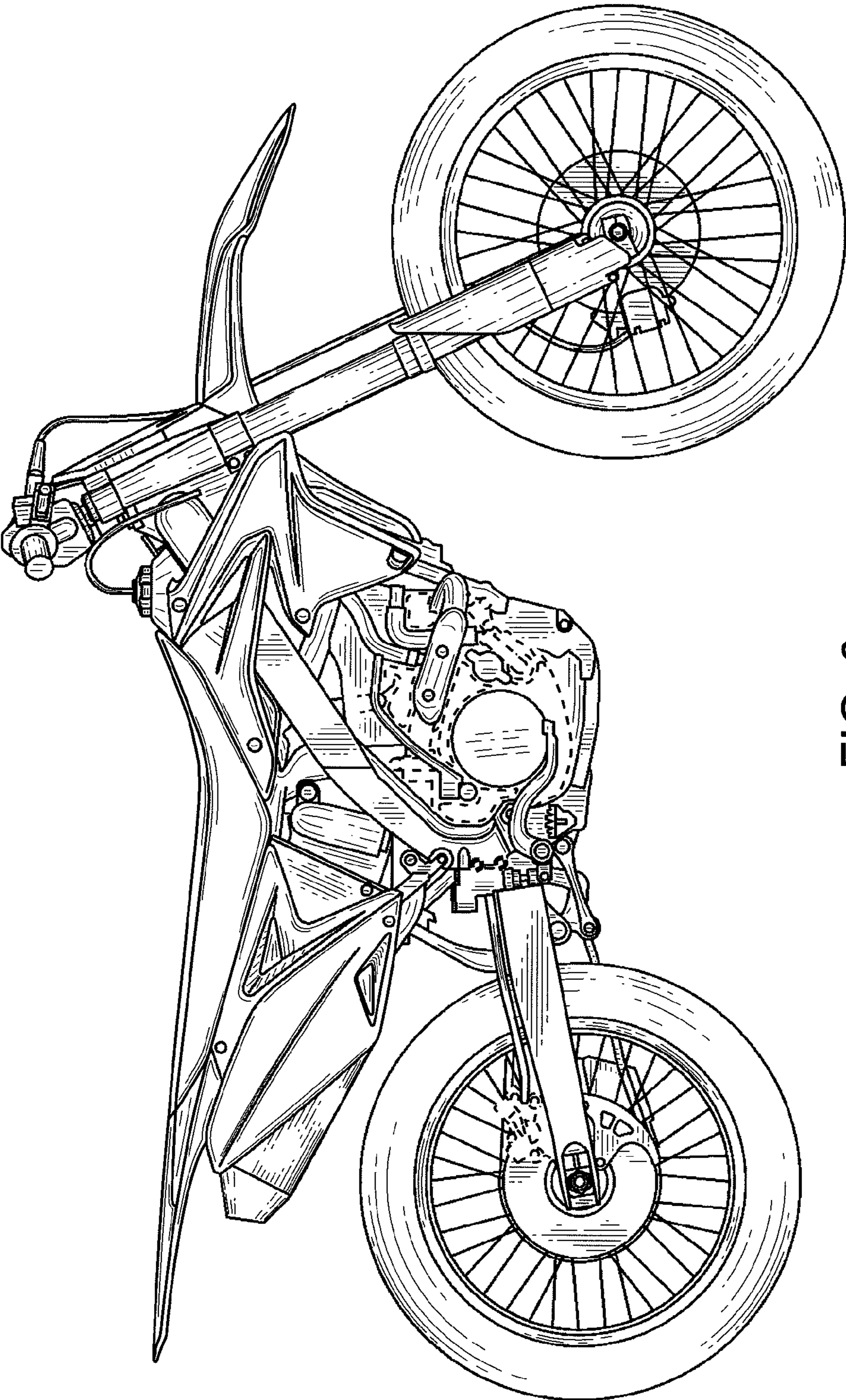


FIG. 6

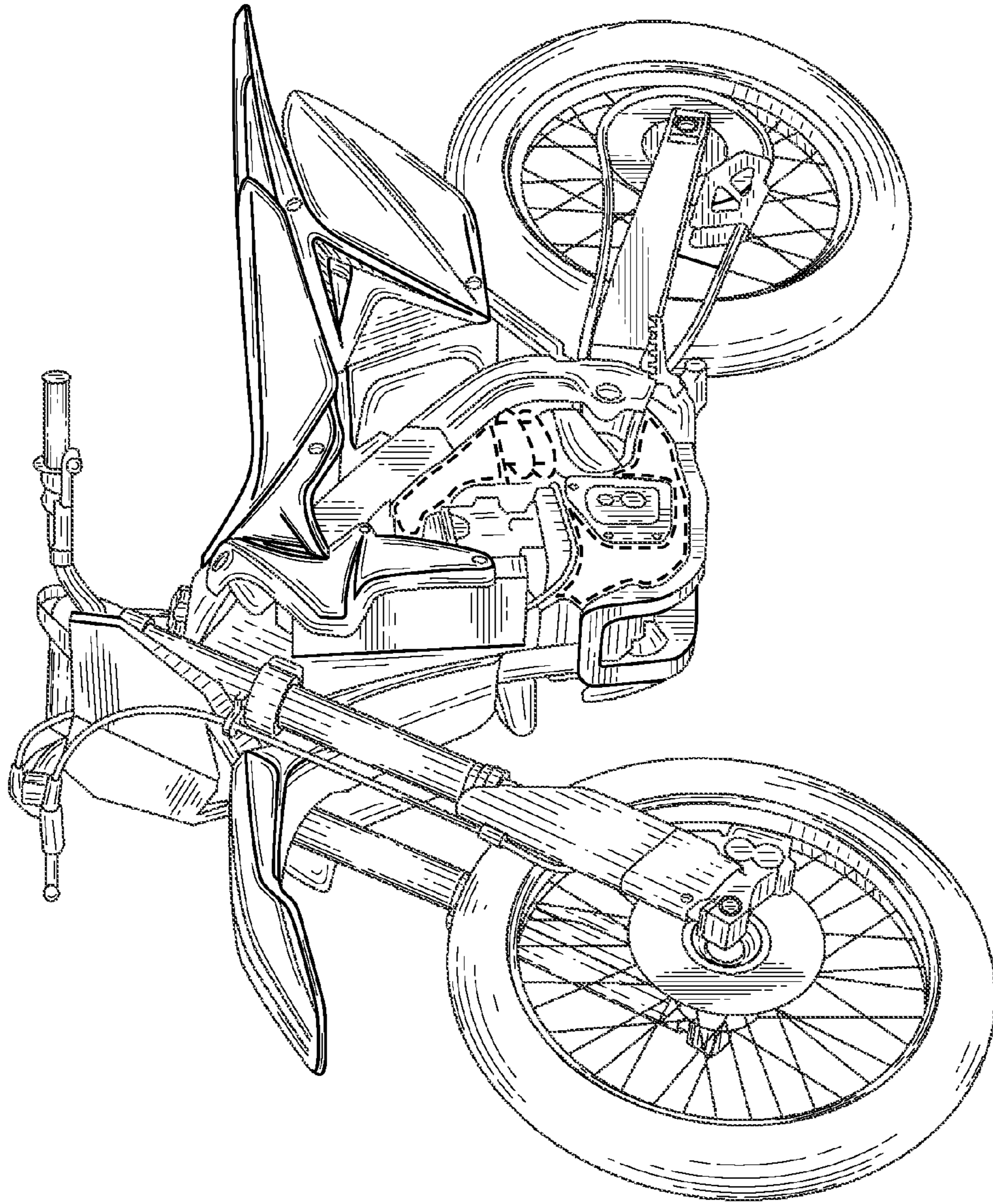


FIG. 7

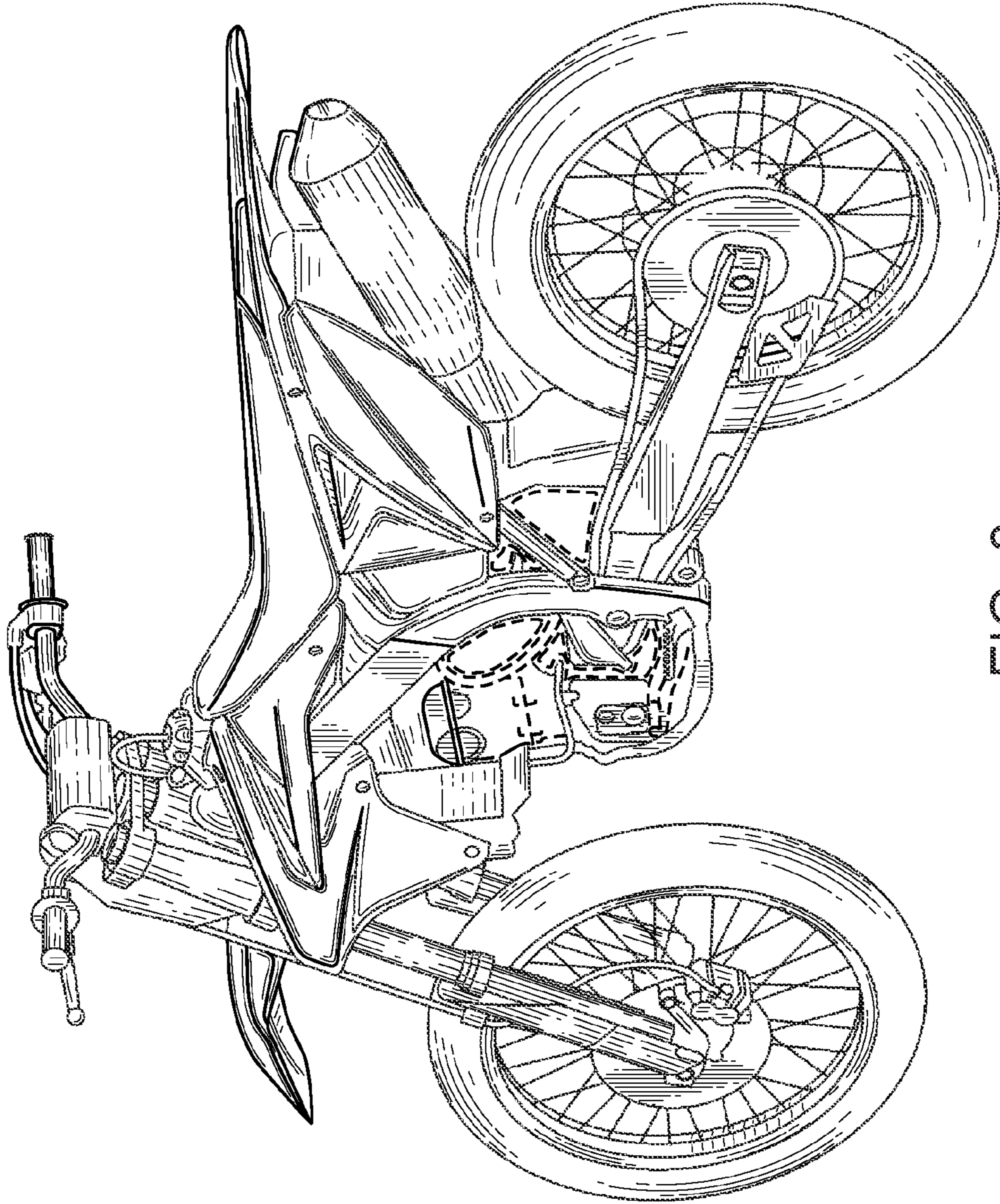


FIG. 8

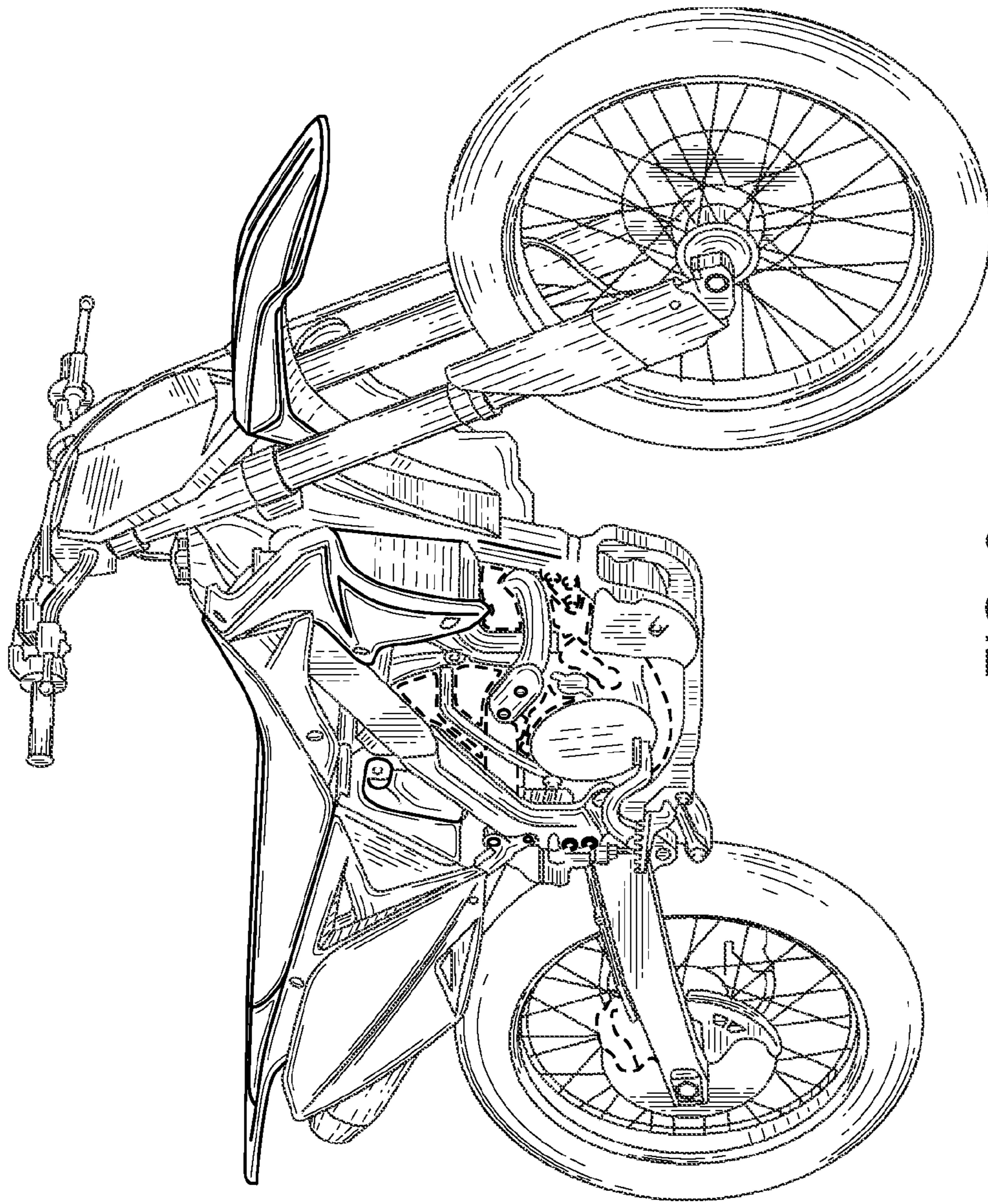


FIG. 9

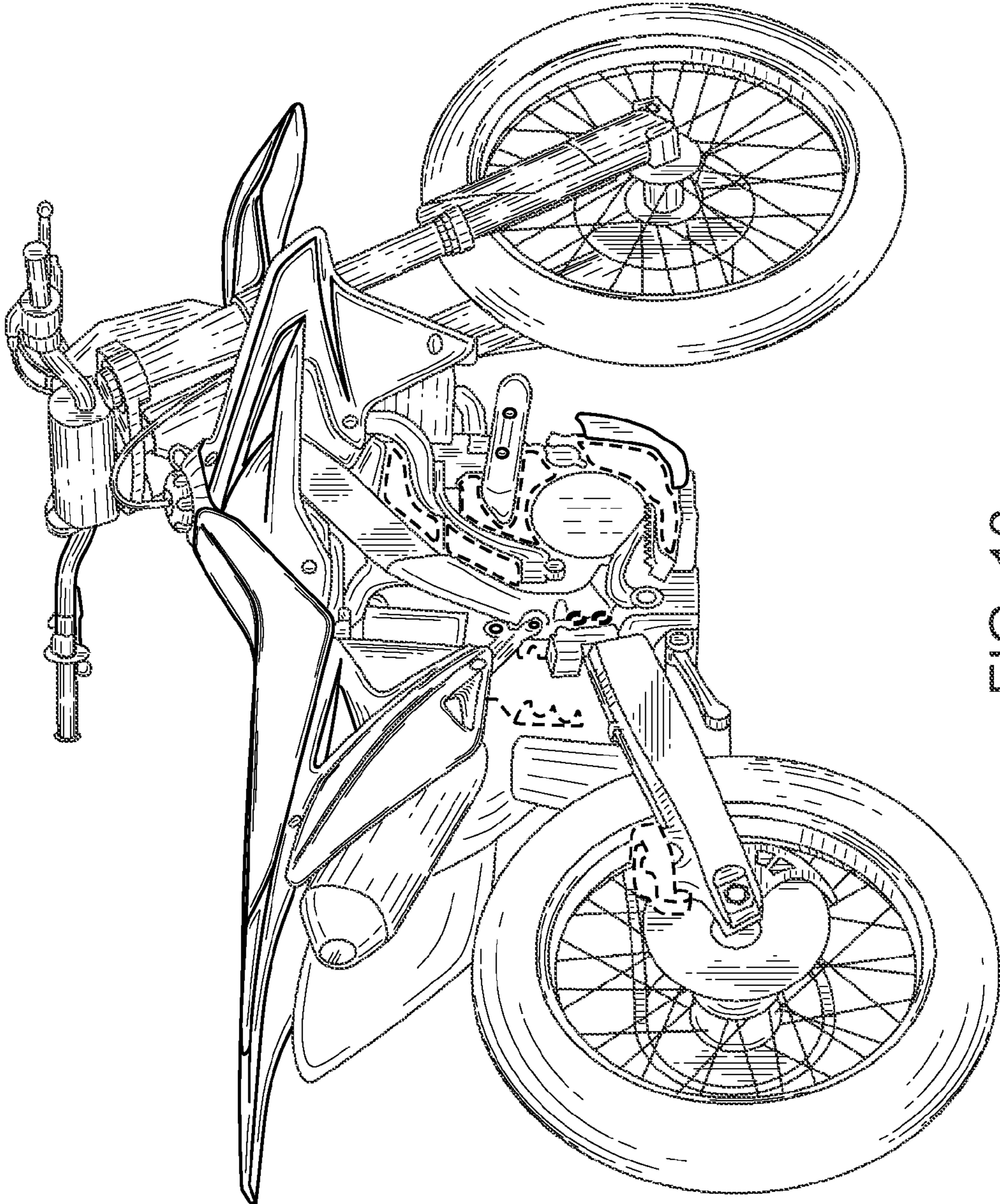


FIG. 10