



US00D632221S

(12) **United States Design Patent**  
**Bogaert**

(10) **Patent No.:** **US D632,221 S**  
(45) **Date of Patent:** **\*\* Feb. 8, 2011**

(54) **BOSUN'S CHAIR**

(75) Inventor: **Joost Bogaert**, Lier (BE)

(73) Assignee: **Sky Climber LLC**, Delaware, OH (US)

(\*\*) Term: **14 Years**

(21) Appl. No.: **29/357,409**

(22) Filed: **Mar. 11, 2010**

(51) **LOC (9) Cl.** ..... **12-04**

(52) **U.S. Cl.** ..... **D12/52**

(58) **Field of Classification Search** ..... D12/52;  
D29/124; 182/141, 150; D15/199; D25/199;  
D34/28, 37

See application file for complete search history.

(56) **References Cited**

U.S. PATENT DOCUMENTS

D306,368	S	*	2/1990	Daugherty	.....	D34/28
5,351,783	A		10/1994	Celli		
D596,823	S	*	7/2009	Thurm	.....	D34/28
D606,724	S	*	12/2009	Weaver	.....	D34/28
D613,021	S	*	3/2010	Noelck	.....	D34/18
2007/0007074	A1		1/2007	Lemburg		
2007/0056801	A1		3/2007	Iversen		
2009/0020361	A1		1/2009	Teichert		

FOREIGN PATENT DOCUMENTS

CA 2341398 A1 3/2000

CN	1415824	A	5/2003
DE	4339638	A1	5/1995
WO	2003048569	A2	6/2003
WO	2007085265	A1	8/2007
WO	2008104272	A2	9/2008

\* cited by examiner

*Primary Examiner*—T. Chase Nelson

*Assistant Examiner*—Ania K Dworzecka

(74) *Attorney, Agent, or Firm*—Gallagher & Dawsey Co.,  
LPA; Michael J. Gallagher; David J. Dawsey

(57) **CLAIM**

I claim the ornamental design for a bosun's chair, as shown and described.

**DESCRIPTION**

FIG. 1 is a front isometric view of a bosun's chair showing my new design;

FIG. 2 is a rear isometric view thereof;

FIG. 3 is a front elevation view thereof;

FIG. 4 is a rear elevation view thereof;

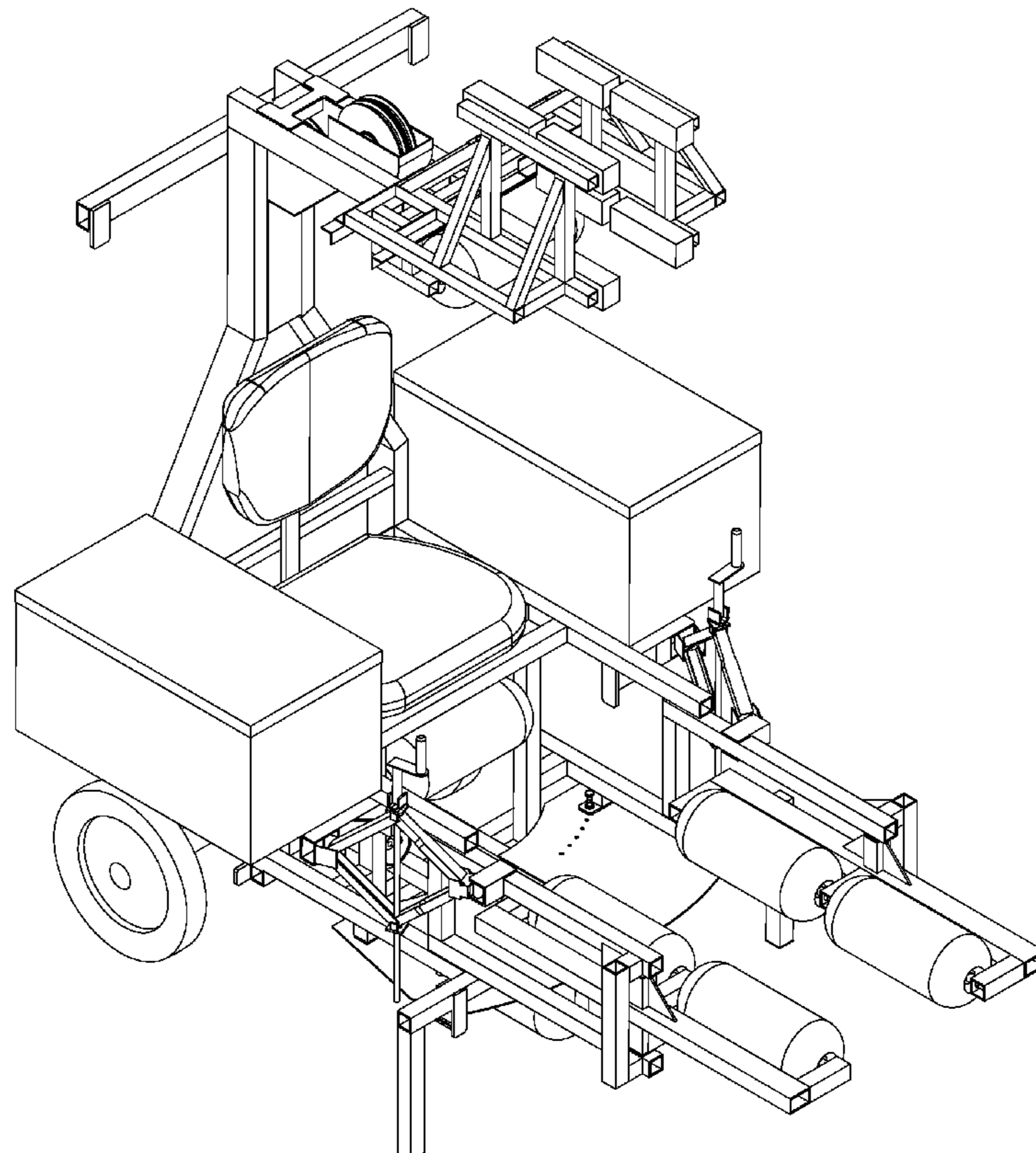
FIG. 5 is a right elevation view thereof;

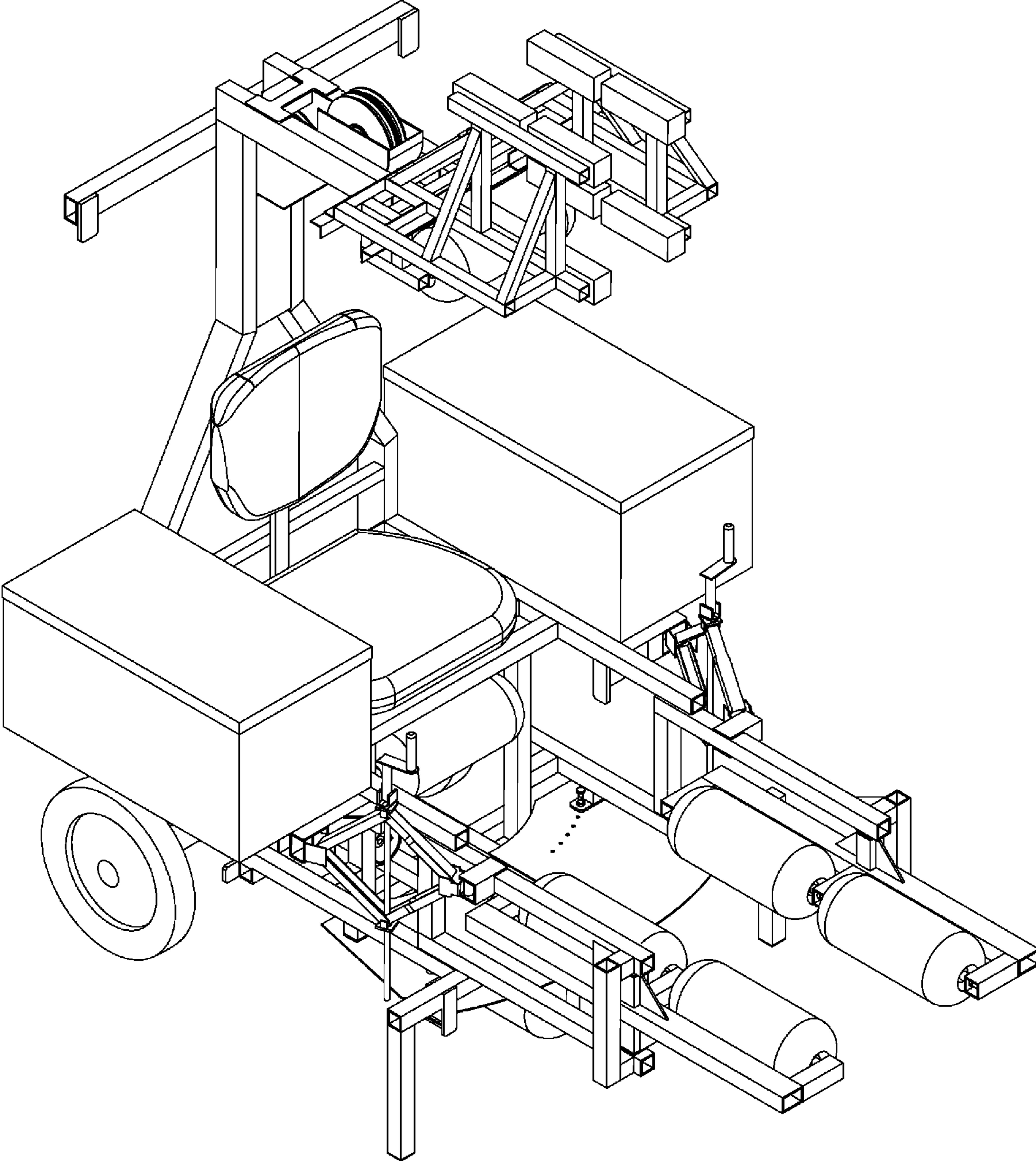
FIG. 6 is a left elevation view thereof;

FIG. 7 is a top plan view thereof; and,

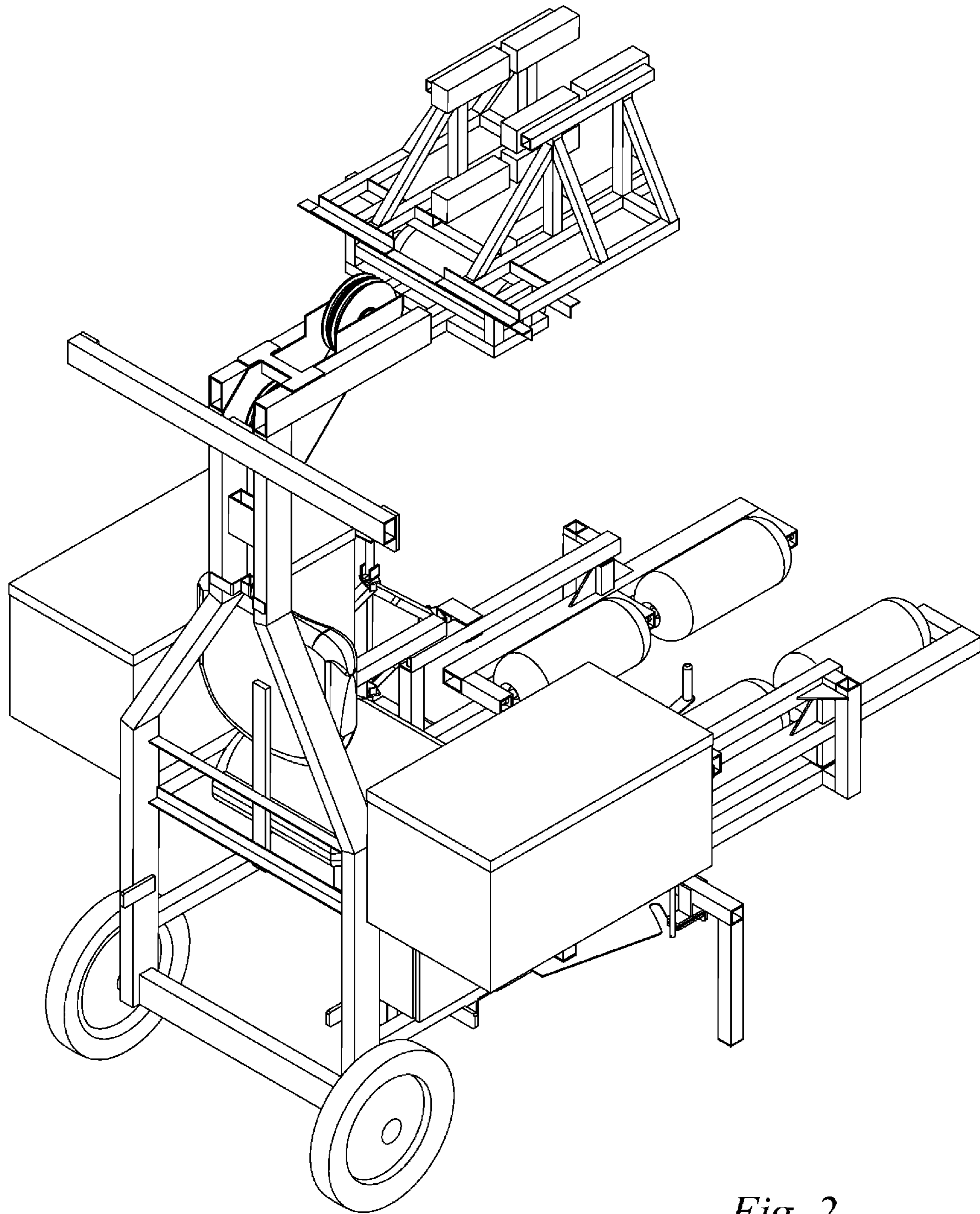
FIG. 8 is a bottom plan view thereof.

**1 Claim, 5 Drawing Sheets**

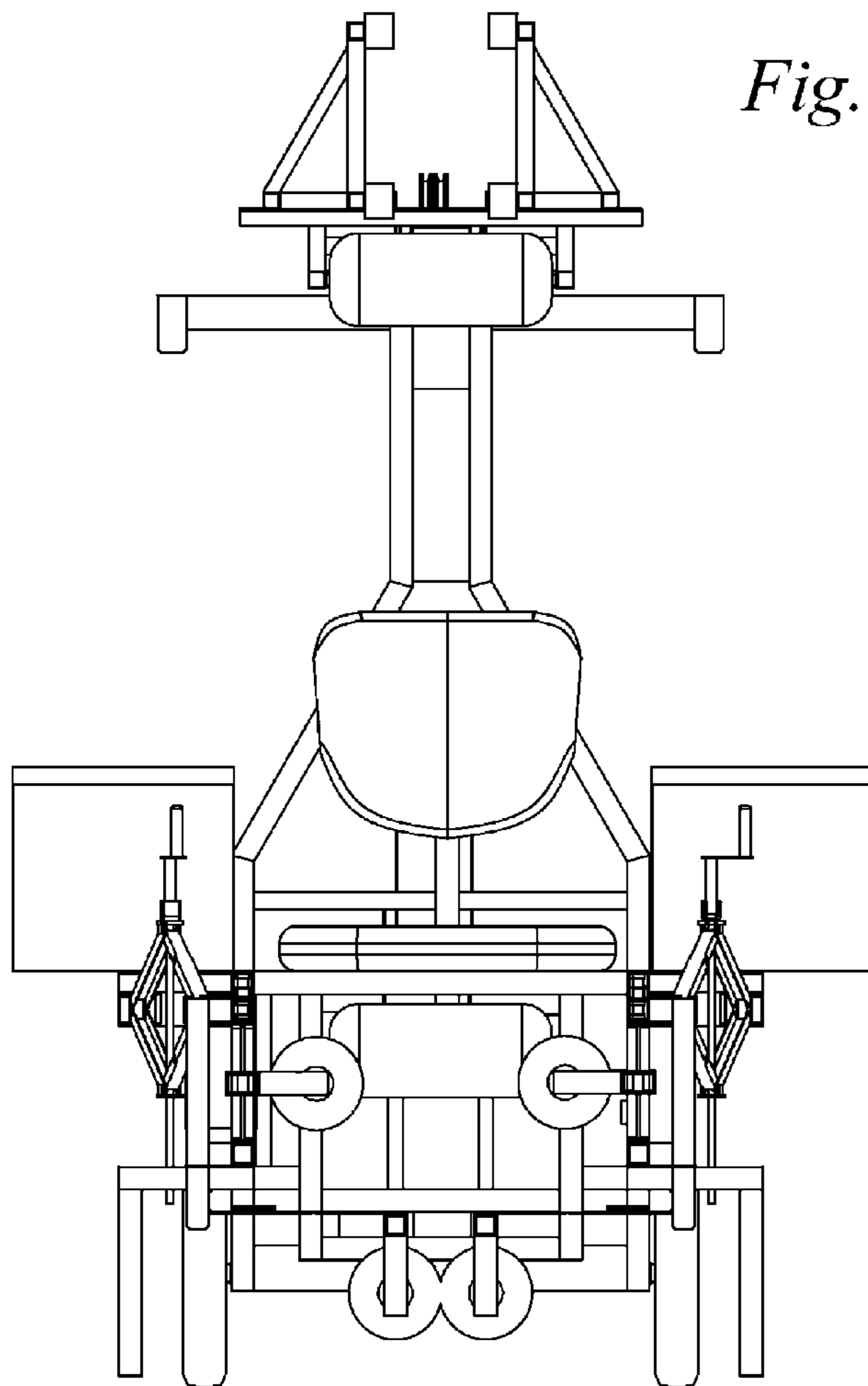




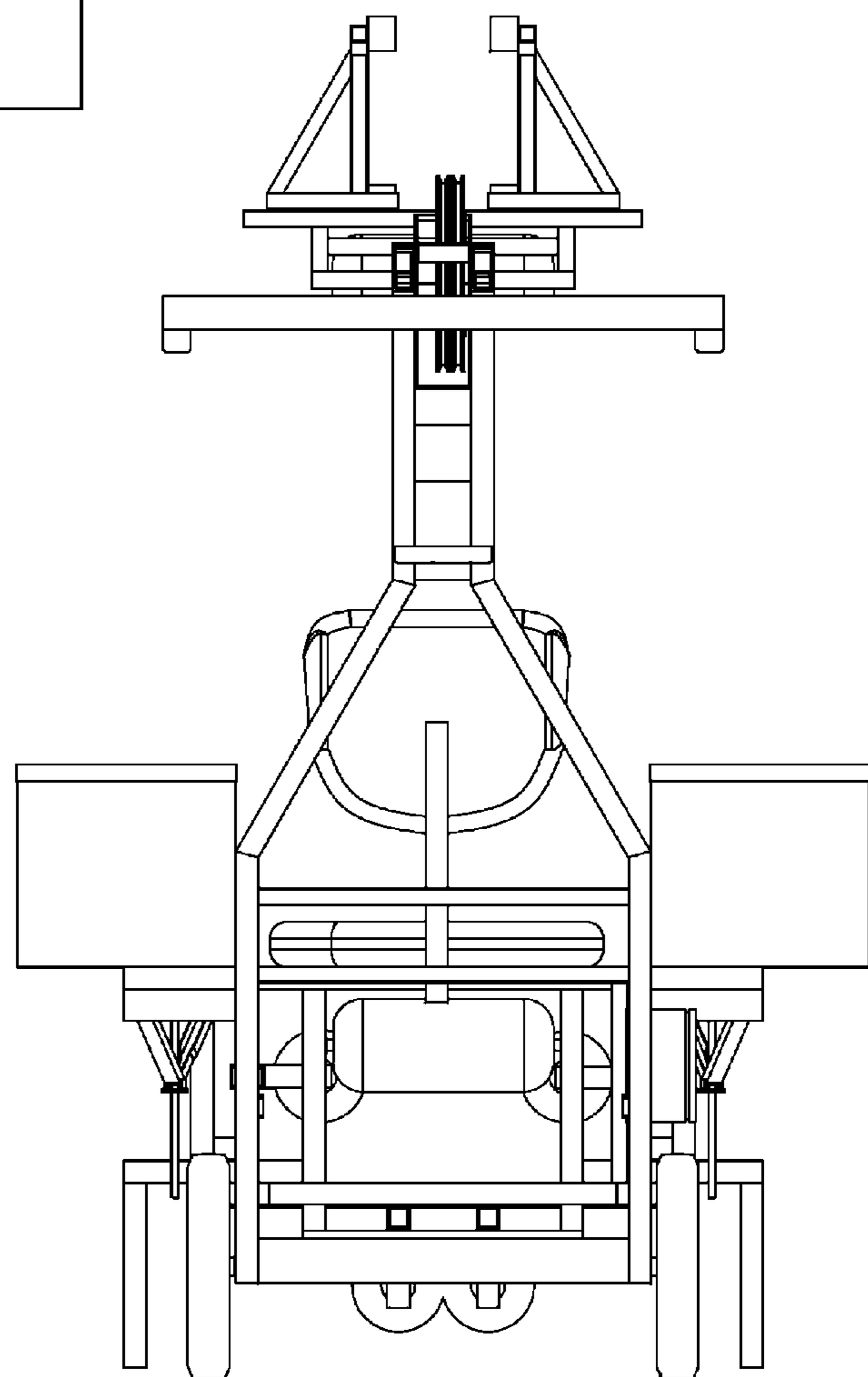
*Fig. 1*



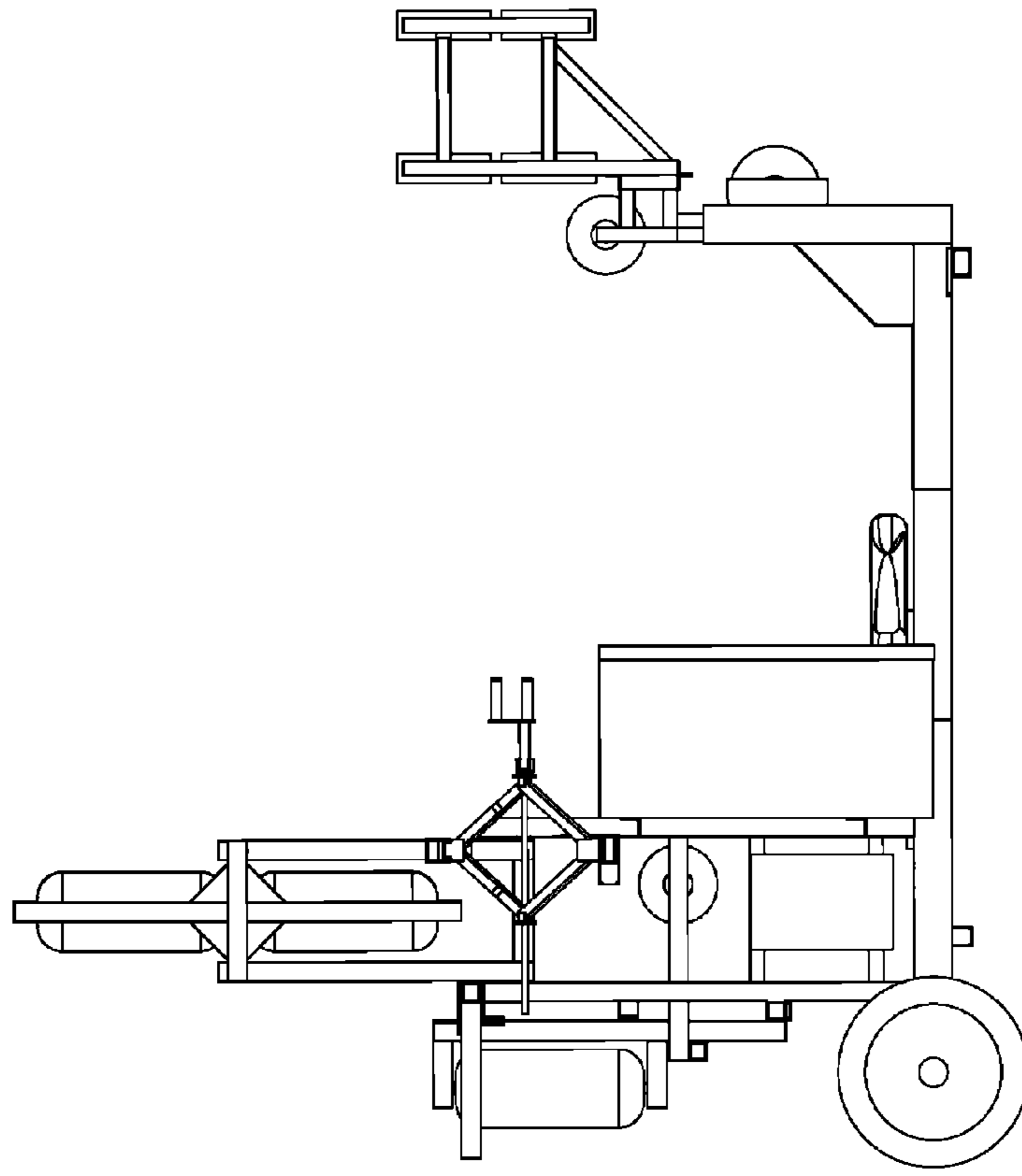
*Fig. 2*



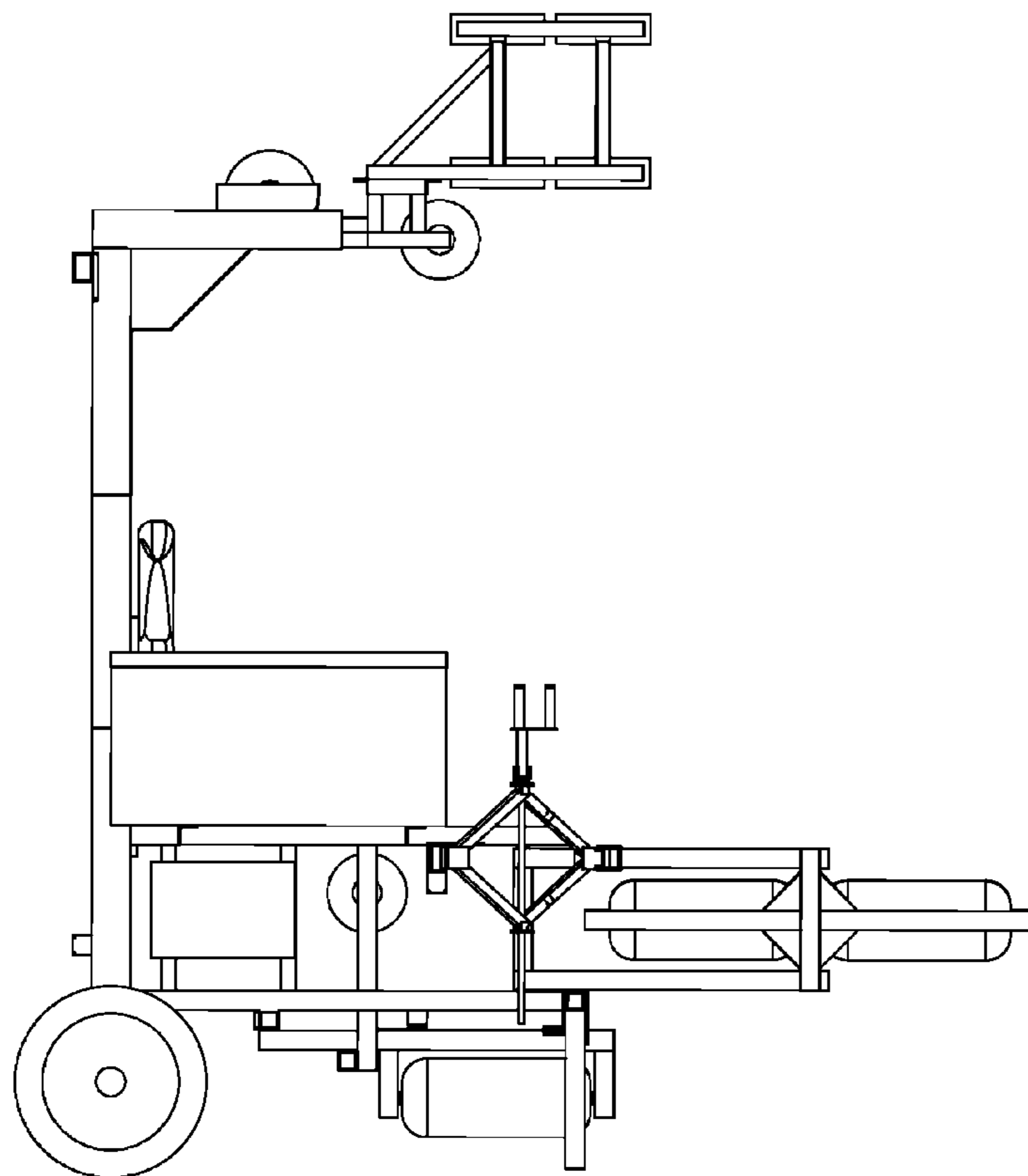
*Fig. 3*



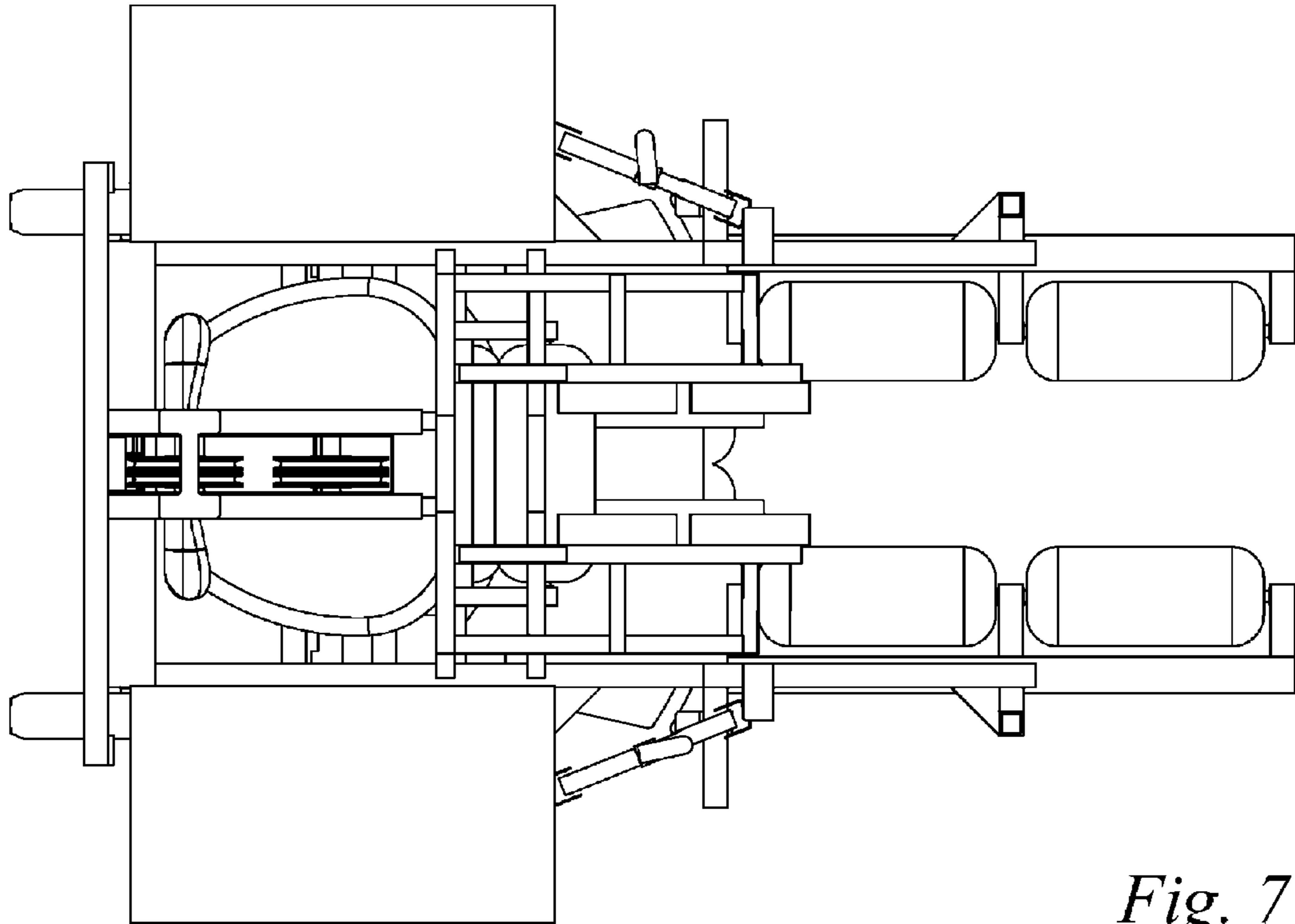
*Fig. 4*



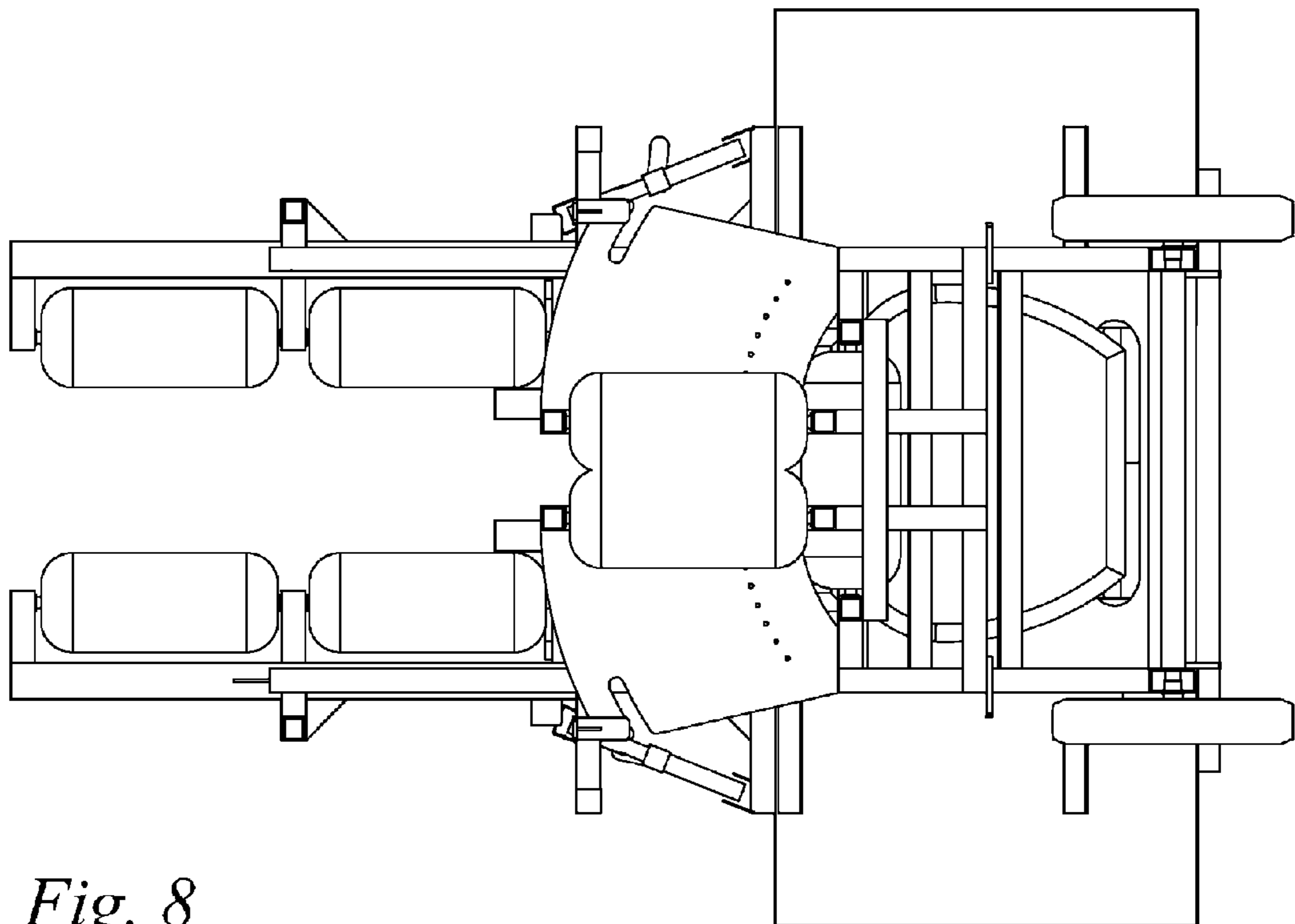
*Fig. 5*



*Fig. 6*



*Fig. 7*



*Fig. 8*