



US00D632218S

(12) **United States Design Patent**  
**Yamamoto et al.**

(10) **Patent No.:** **US D632,218 S**  
(45) **Date of Patent:** **\*\* Feb. 8, 2011**

(54) **SLIDE FASTENER ELEMENT**

(75) Inventors: **Kentaro Yamamoto**, Macon, GA (US);  
**Hisashi Yoneshima**, Macon, GA (US);  
**Shigeyoshi Takazawa**, Anaheim, CA  
(US); **Takaaki Fujii**, Toyama (JP)

(73) Assignee: **YKK Corporation**, Tokyo (JP)

(\*\*) Term: **14 Years**

(21) Appl. No.: **29/350,461**

(22) Filed: **Nov. 17, 2009**

(51) **LOC (9) Cl.** ..... **02-07**

(52) **U.S. Cl.** ..... **D11/221**

(58) **Field of Classification Search** ..... D11/200,  
D11/201, 221; 24/381–383, 385–387, 414–417,  
24/421–422, 427–431, 433, 401, 405, 410;  
2/265

See application file for complete search history.

(56) **References Cited**

**U.S. PATENT DOCUMENTS**

2,385,020	A *	9/1945	Morin	.....	24/410
2,701,401	A *	2/1955	Dorman	.....	24/433
2,720,015	A *	10/1955	Morin	.....	24/405
2,814,847	A *	12/1957	Zbinden	.....	24/434
D265,606	S *	8/1982	Kasai	.....	D11/221
4,429,438	A *	2/1984	Takehima et al.	.....	24/401
D274,016	S *	5/1984	Kasai	.....	D11/221

D293,225	S *	12/1987	Hasegawa	.....	D11/221
D326,433	S *	5/1992	Takizawa et al.	.....	D11/221
D385,827	S *	11/1997	Covi et al.	.....	D11/221
6,230,373	B1 *	5/2001	Wakai et al.	.....	24/381
7,353,570	B2 *	4/2008	Himi	.....	24/405
D586,693	S *	2/2009	Stenhall	.....	D11/221

\* cited by examiner

*Primary Examiner*—Ralf Seifert

(74) *Attorney, Agent, or Firm*—Alston & Bird LLP

(57) **CLAIM**

The ornamental design for a slide fastener element, as shown and described.

**DESCRIPTION**

FIG. 1 is a perspective view of the slide fastener element according to our new design;

FIG. 2 is another perspective view thereof;

FIG. 3 is a top plan view thereof;

FIG. 4 is a bottom plan view thereof;

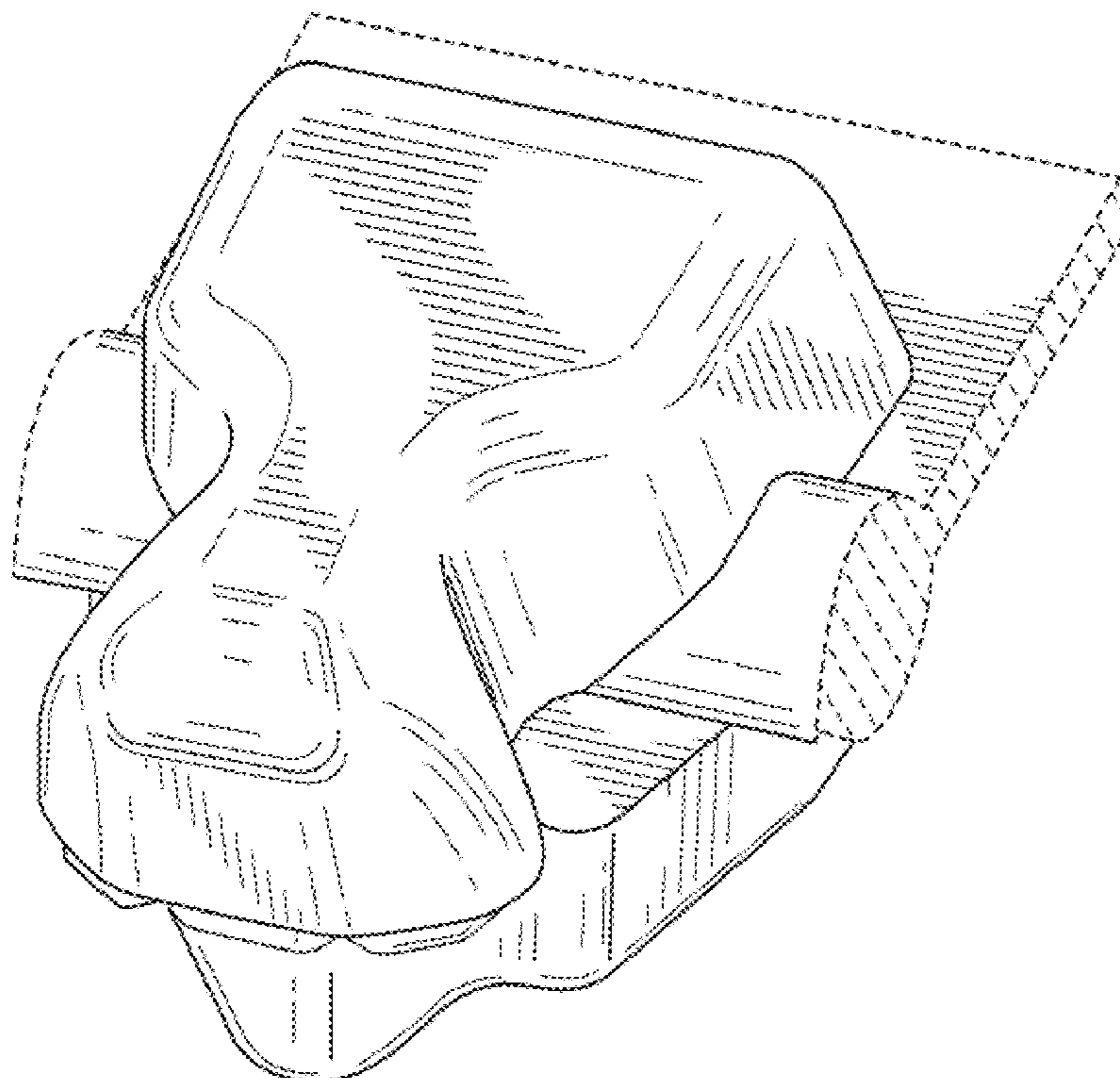
FIG. 5 is a right side elevation view thereof and the left side elevation view being a mirror image thereof;

FIG. 6 is a front elevation view thereof; and,

FIG. 7 is a back elevation view thereof.

The broken lines represent the bounds of the claimed design and form no part of the claimed design.

**1 Claim, 4 Drawing Sheets**



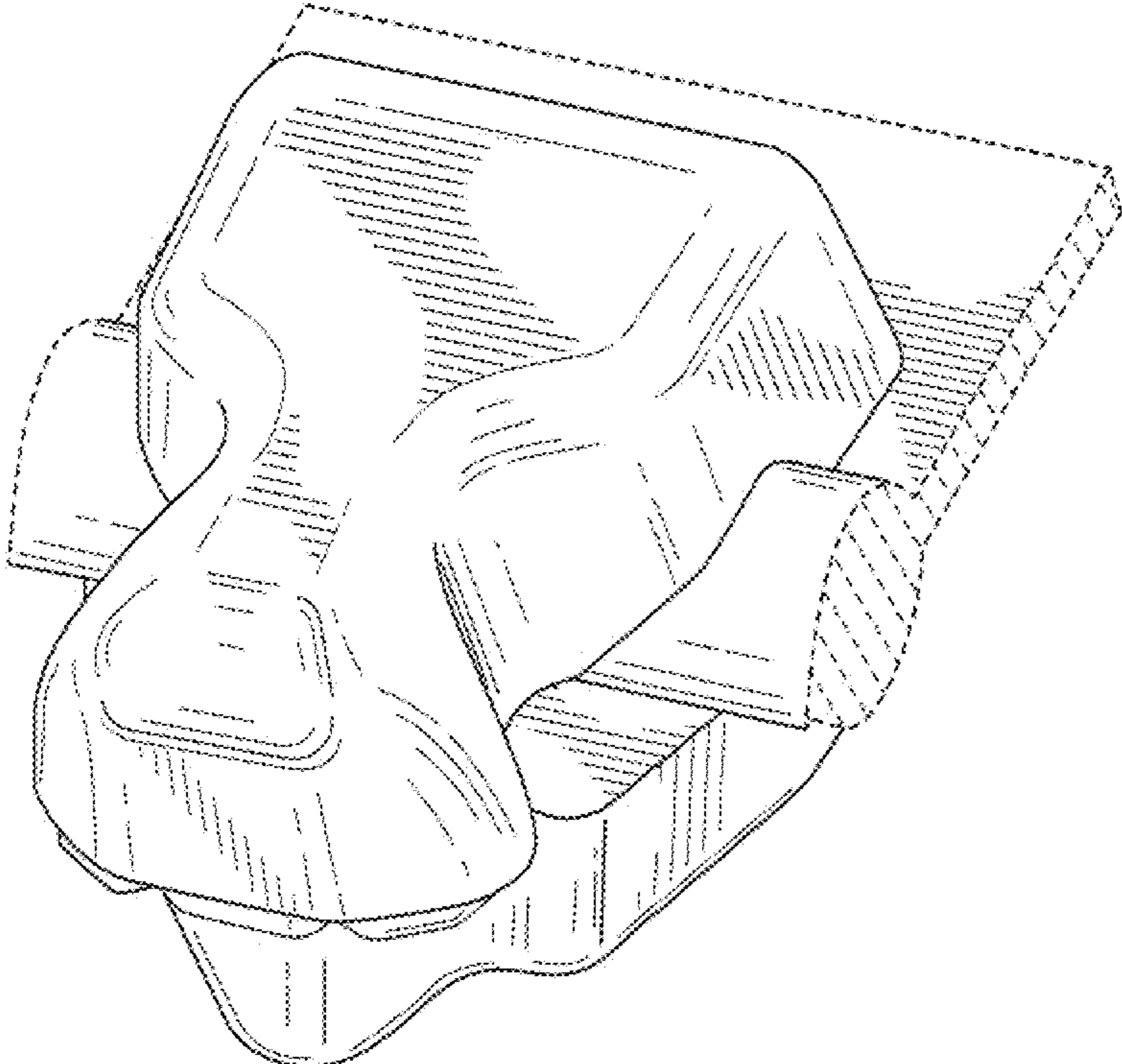


FIG. 1

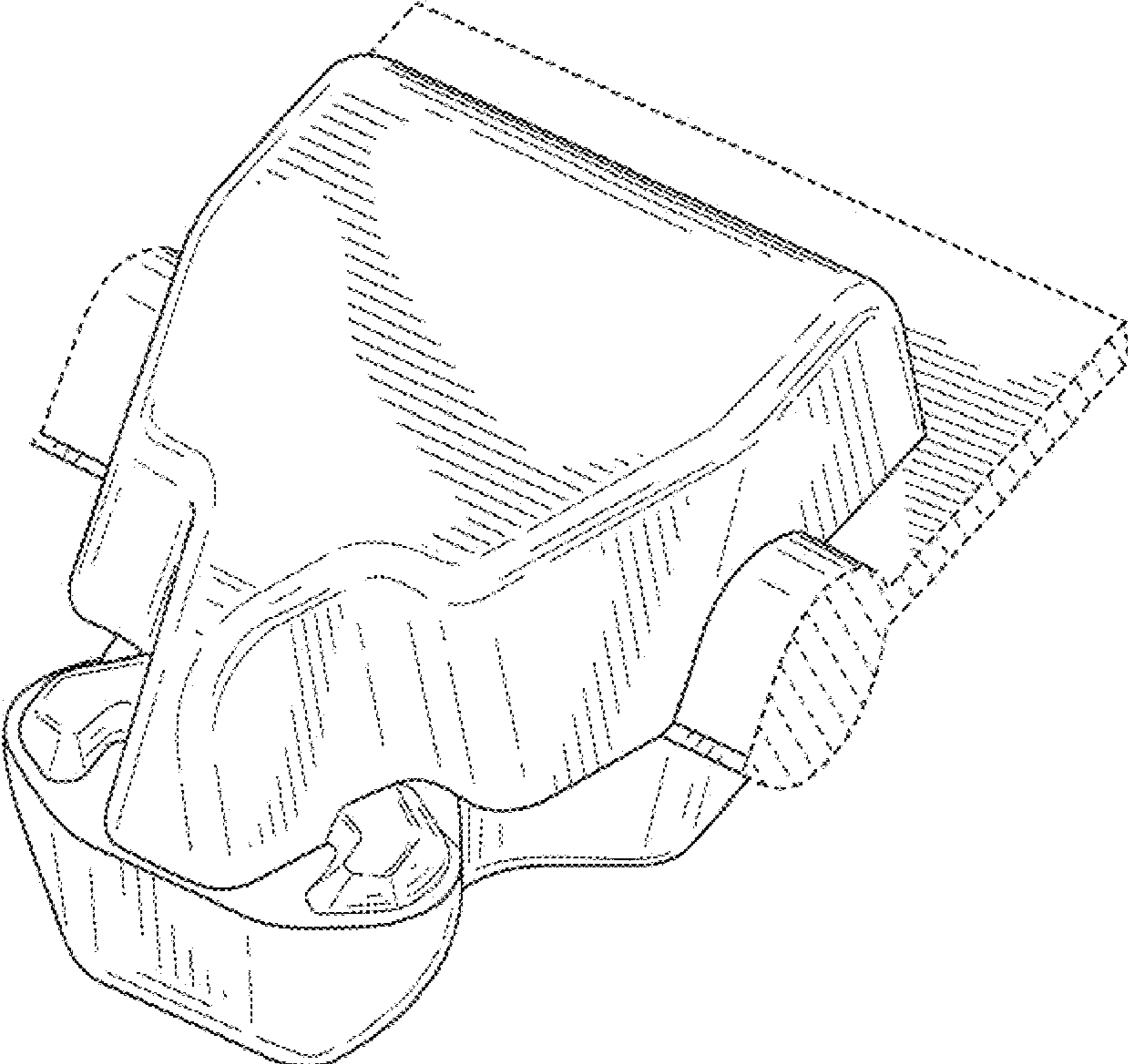


FIG. 2

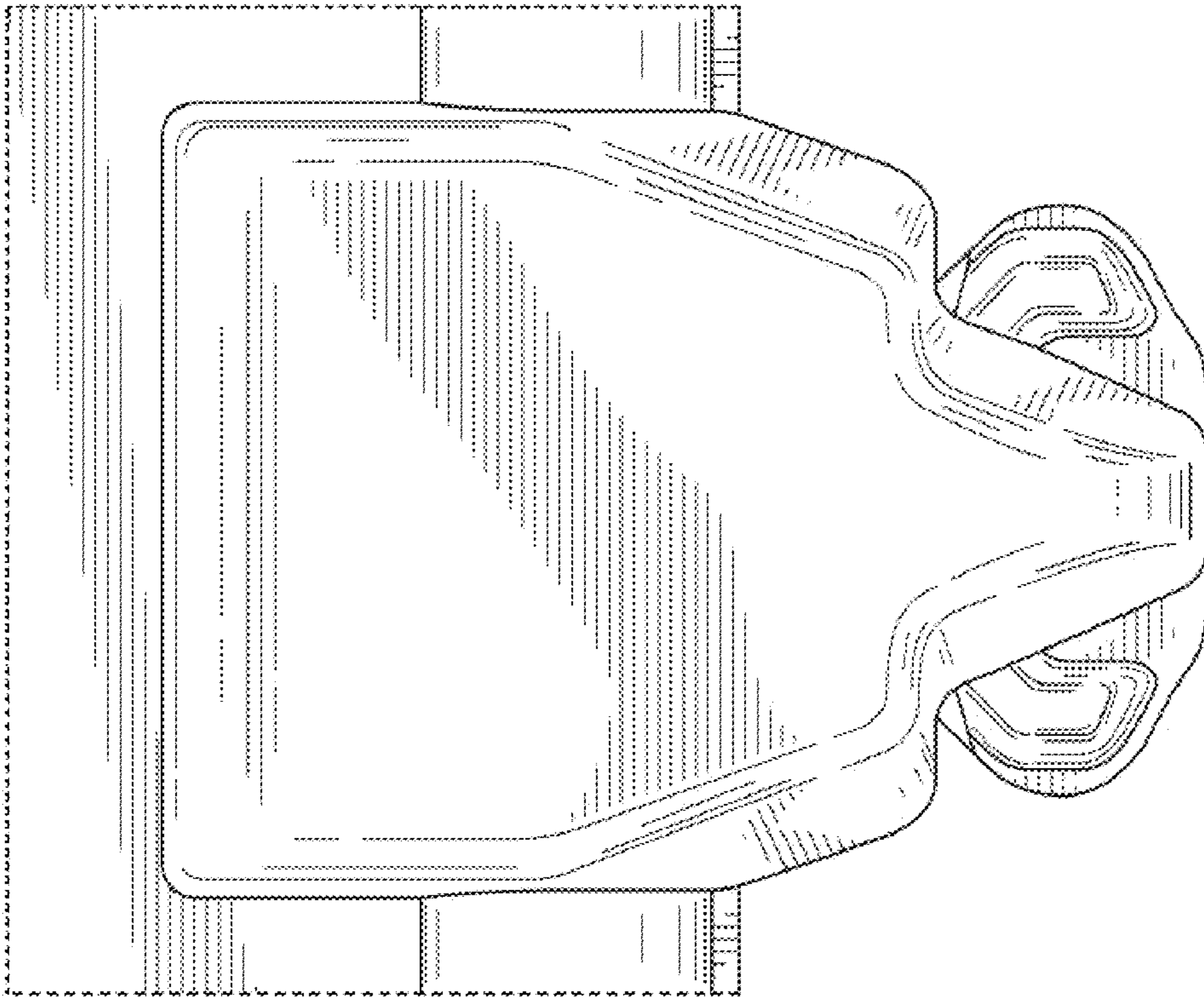


FIG. 4

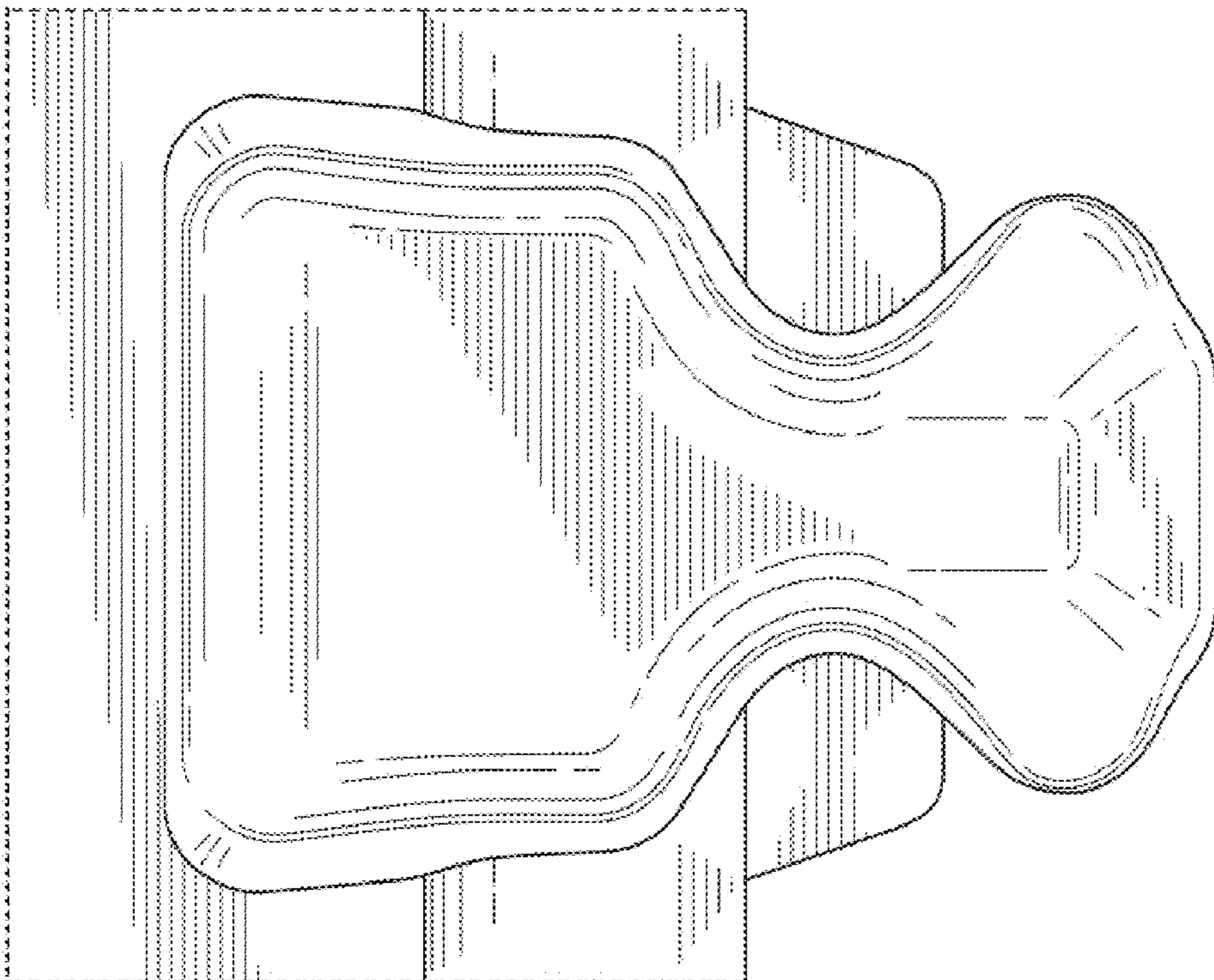


FIG. 3

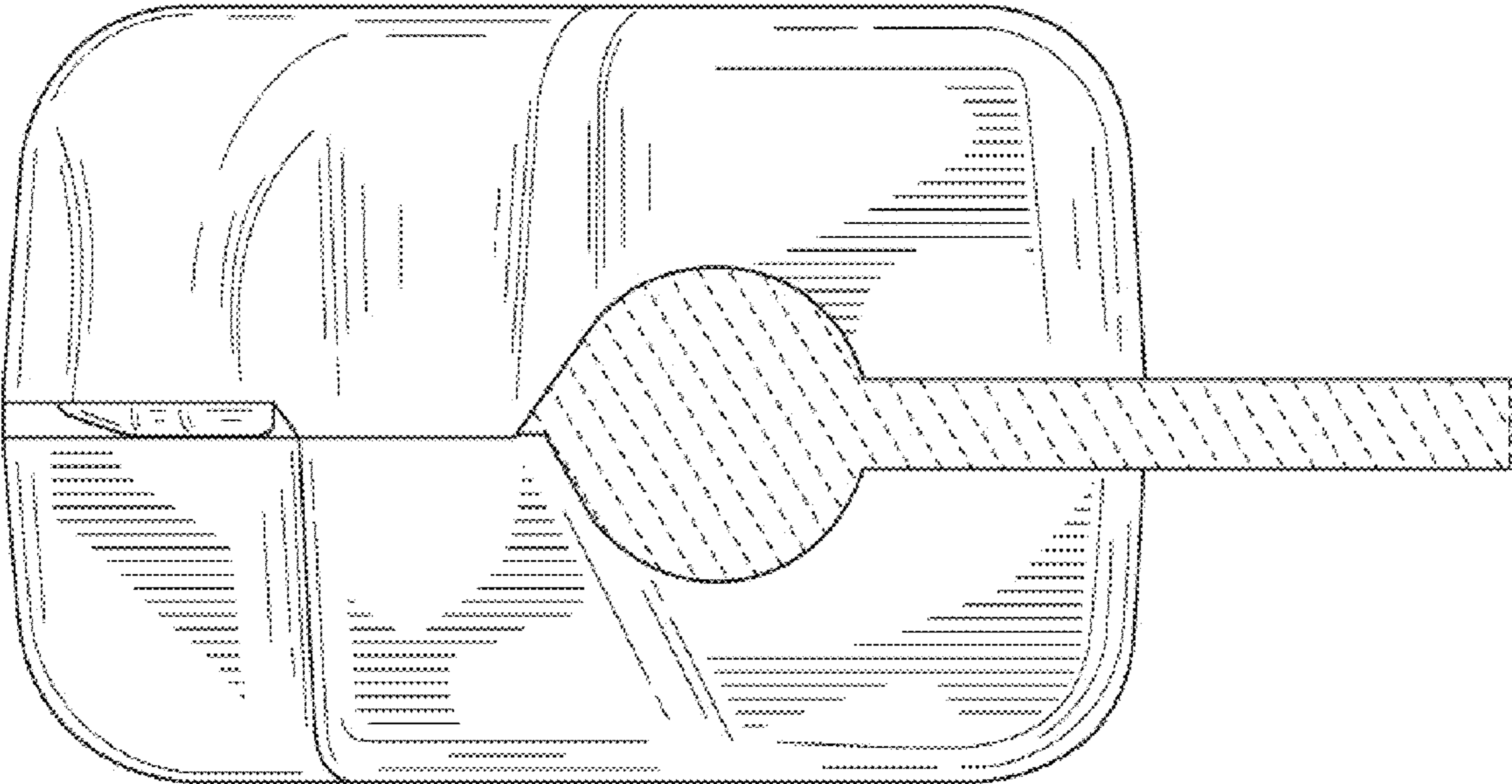


FIG. 5

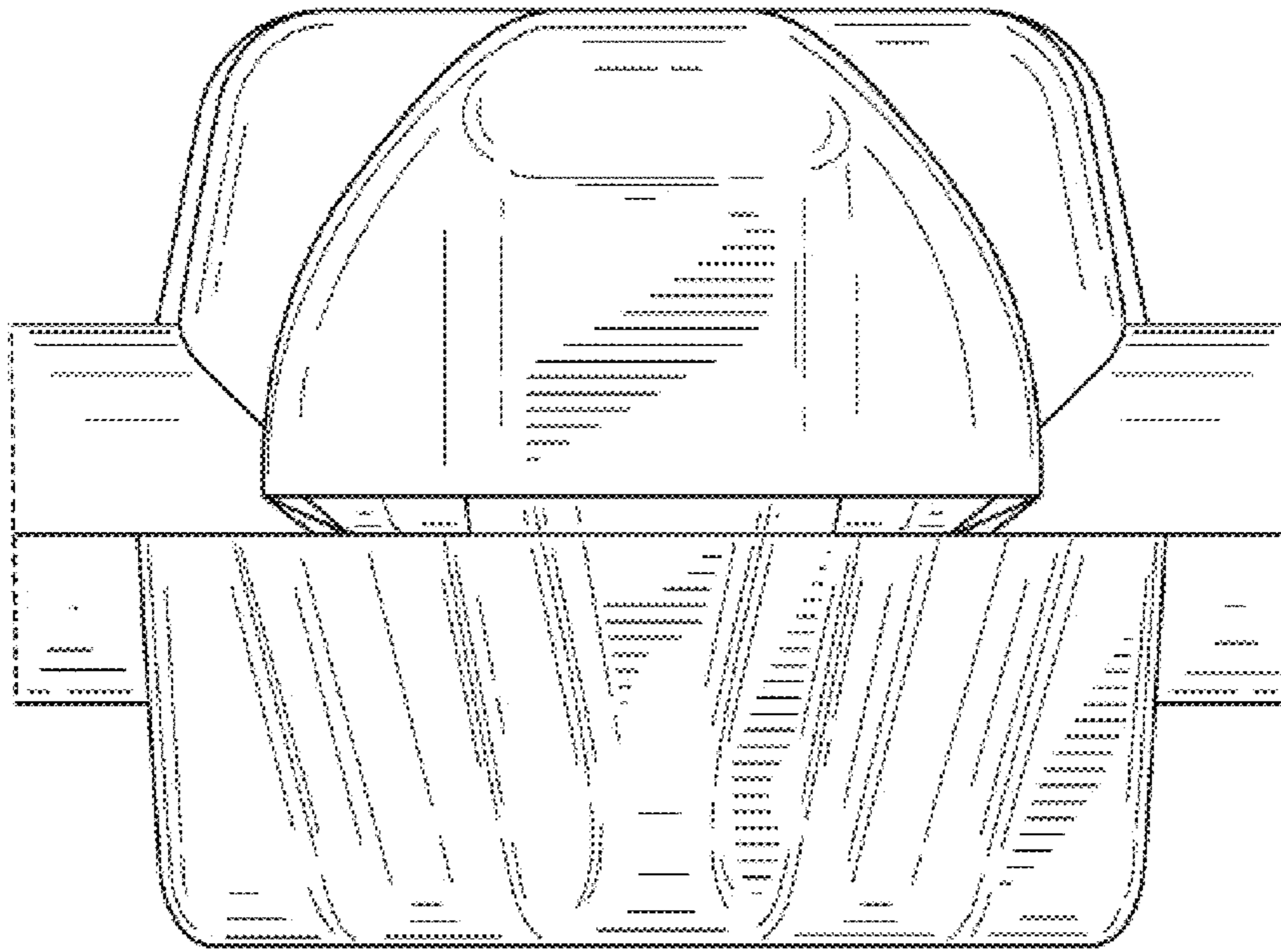


FIG. 6

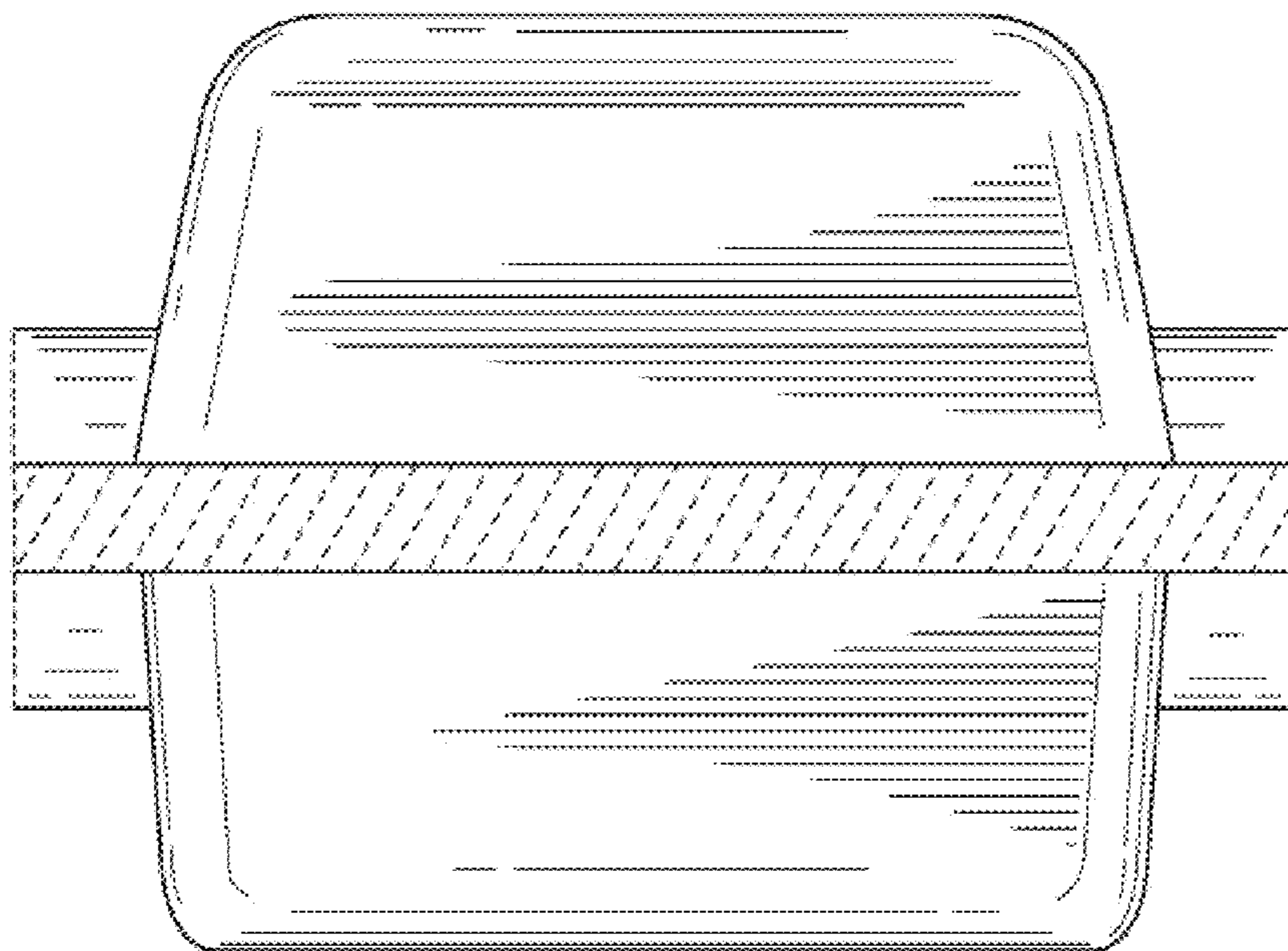


FIG. 7