



US00D632217S

(12) **United States Design Patent**
Shani et al.

(10) **Patent No.:** **US D632,217 S**

(45) **Date of Patent:** **** Feb. 8, 2011**

(54) **BELT BUCKLE**

D596,986 S 7/2009 Gastaldi D11/216
7,657,978 B2 2/2010 Lin 24/614

(76) Inventors: **Tal Shani**, 13 Kaplan St., Petach Tikva
(IL) 49451; **Micky Weinstein**, 43/6
Hafetz Haim St., Petach Tikva (IL)
49350

* cited by examiner

Primary Examiner—Ralf Seifert
(74) *Attorney, Agent, or Firm*—Ostrolenk Faber LLP

(**) Term: **14 Years**

(57) **CLAIM**

(21) Appl. No.: **29/365,367**

We claim the ornamental design for a belt buckle, as shown
and described herein.

(22) Filed: **Jul. 8, 2010**

Related U.S. Application Data

DESCRIPTION

(62) Division of application No. 29/345,963, filed on Oct.
23, 2009.

FIG. 1 is a top view of a belt buckle according to an embodi-
ment of our new design.

(30) **Foreign Application Priority Data**

FIG. 2 is a bottom view thereof.

Apr. 23, 2009 (IL) 47602
Apr. 23, 2009 (IL) 47603
Apr. 23, 2009 (IL) 47604
Apr. 23, 2009 (IL) 47605
Apr. 23, 2009 (IL) 47606

FIG. 3 is a side view thereof.

FIG. 4 is a perspective bottom view thereof.

FIG. 5 is a perspective bottom view thereof.

FIG. 6 is a side view thereof.

FIG. 7 is a side view thereof.

FIG. 8 is a perspective top view thereof.

FIG. 9 is a perspective top view thereof.

FIG. 10 is a perspective top view thereof.

FIG. 11 is a top view thereof.

FIG. 12 is a side view thereof.

FIG. 13 is a side view thereof.

FIG. 14 is a bottom view thereof.

FIG. 15 is a rear view thereof.

FIG. 16 is a front view thereof.

FIG. 17 is a perspective view of the top, rear view thereof.

FIG. 18 is a perspective view of the bottom, front view
thereof.

FIG. 19 is a perspective view of the top, front view thereof.

FIG. 20 is a bottom view thereof.

FIG. 21 is a perspective bottom view thereof.

FIG. 22 is a side view thereof.

(51) **LOC (9) Cl.** **02-07**

(52) **U.S. Cl.** **D11/216**

(58) **Field of Classification Search** D11/1–2,
D11/200–201, 203–206, 210, 212, 214–219,
D11/222, 224, 226; 24/163 R, 169–171,
24/173, 177–179, 191, 194–195, 197, 200
See application file for complete search history.

(56) **References Cited**

U.S. PATENT DOCUMENTS

2,110,684 A 3/1938 Schuhmann 24/313
D117,747 S 11/1939 Freysinger D11/215
2,531,244 A 11/1950 Andrus 24/504
D177,056 S 3/1956 Lowrie D11/1
D332,585 S 1/1993 Olson D11/201
D335,476 S * 5/1993 Stathis D11/216
D414,401 S 9/1999 Aganian D8/383
D575,671 S * 8/2008 Niwa D11/216
D577,631 S * 9/2008 Kawaguchi D11/216

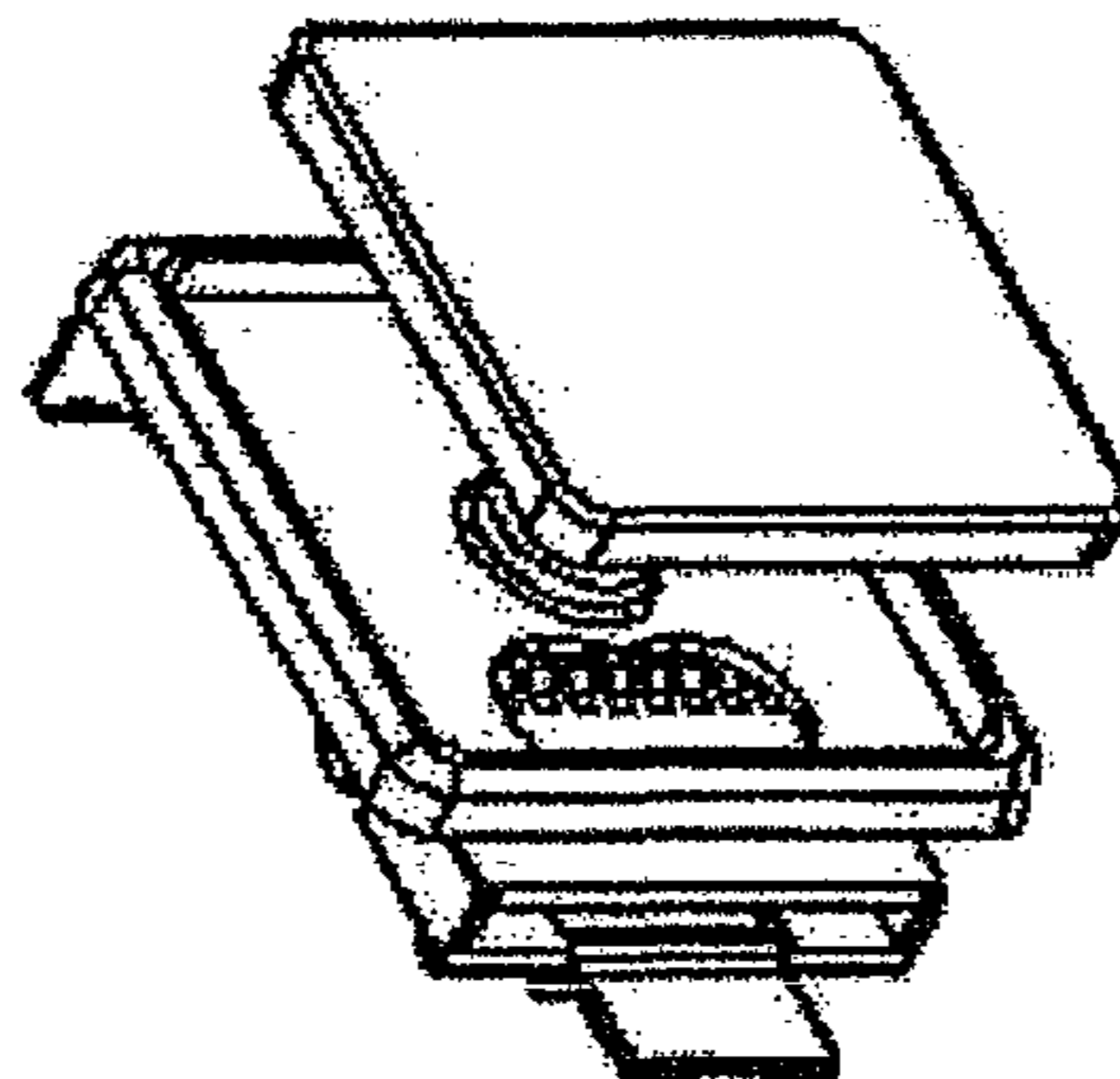


FIG. 23 is a top view thereof;

FIG. 24 is a perspective top view thereof;

FIG. 25 is a rear view thereof.

FIG. 26 is a perspective top, front view thereof.

FIG. 27 is a front view thereof.

FIG. 28 is a perspective top view, front view thereof.

FIG. 29 is a bottom view thereof.

FIG. 30 is an exploded perspective top view thereof.

FIG. 31 is an exploded side view thereof.

FIG. 32 is an exploded perspective bottom, front view thereof.

FIG. 33 is a top view thereof.

FIG. 34 is an exploded front view thereof.

FIG. 35 is an exploded perspective top view thereof; and,

FIG. 36 is an exploded perspective top view thereof.

The portions of the drawings appearing in broken lines are for illustrative purposes only and form no part of the claimed design.

1 Claim, 4 Drawing Sheets

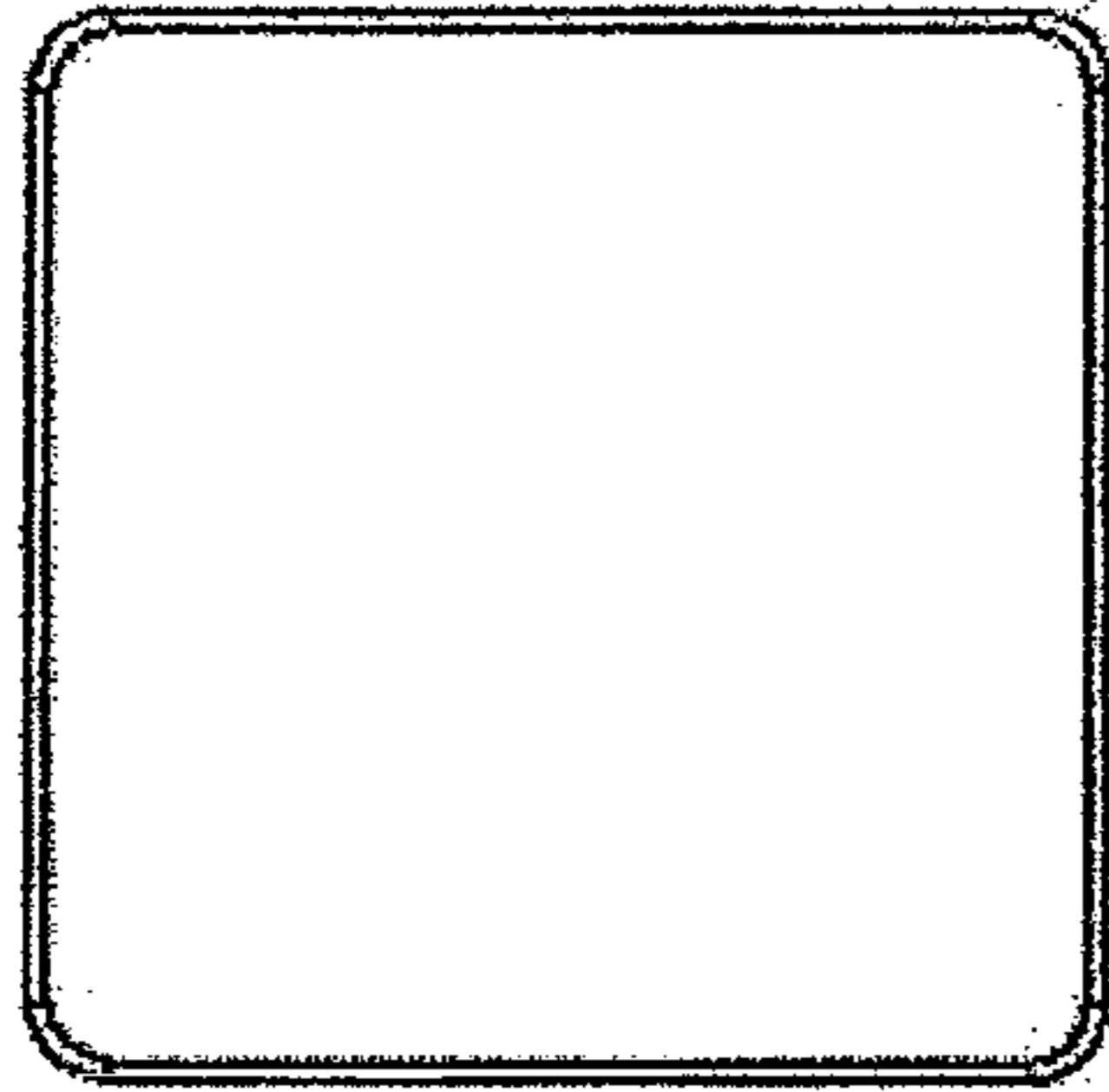


Fig. 1

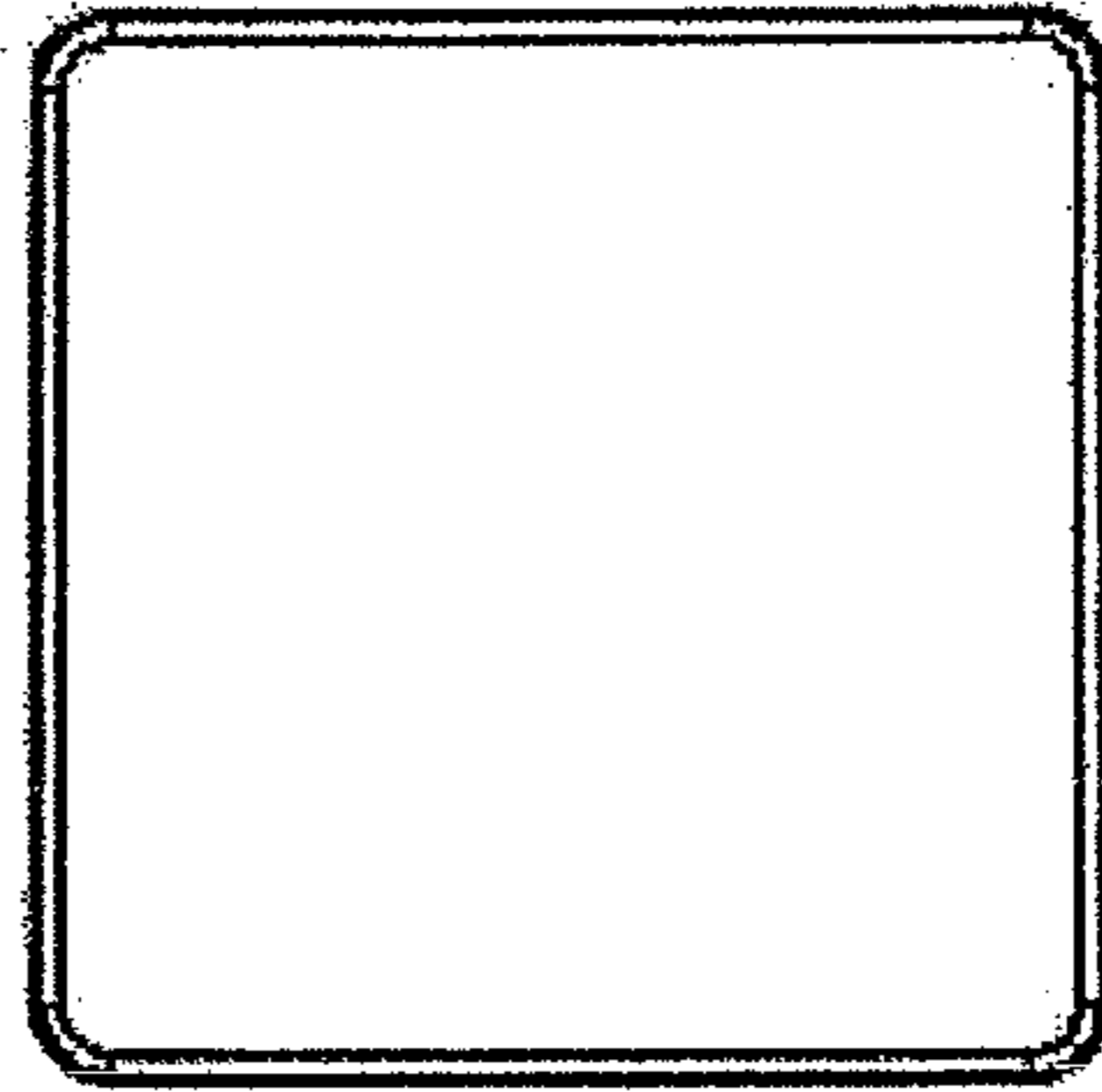


Fig. 2



Fig. 3

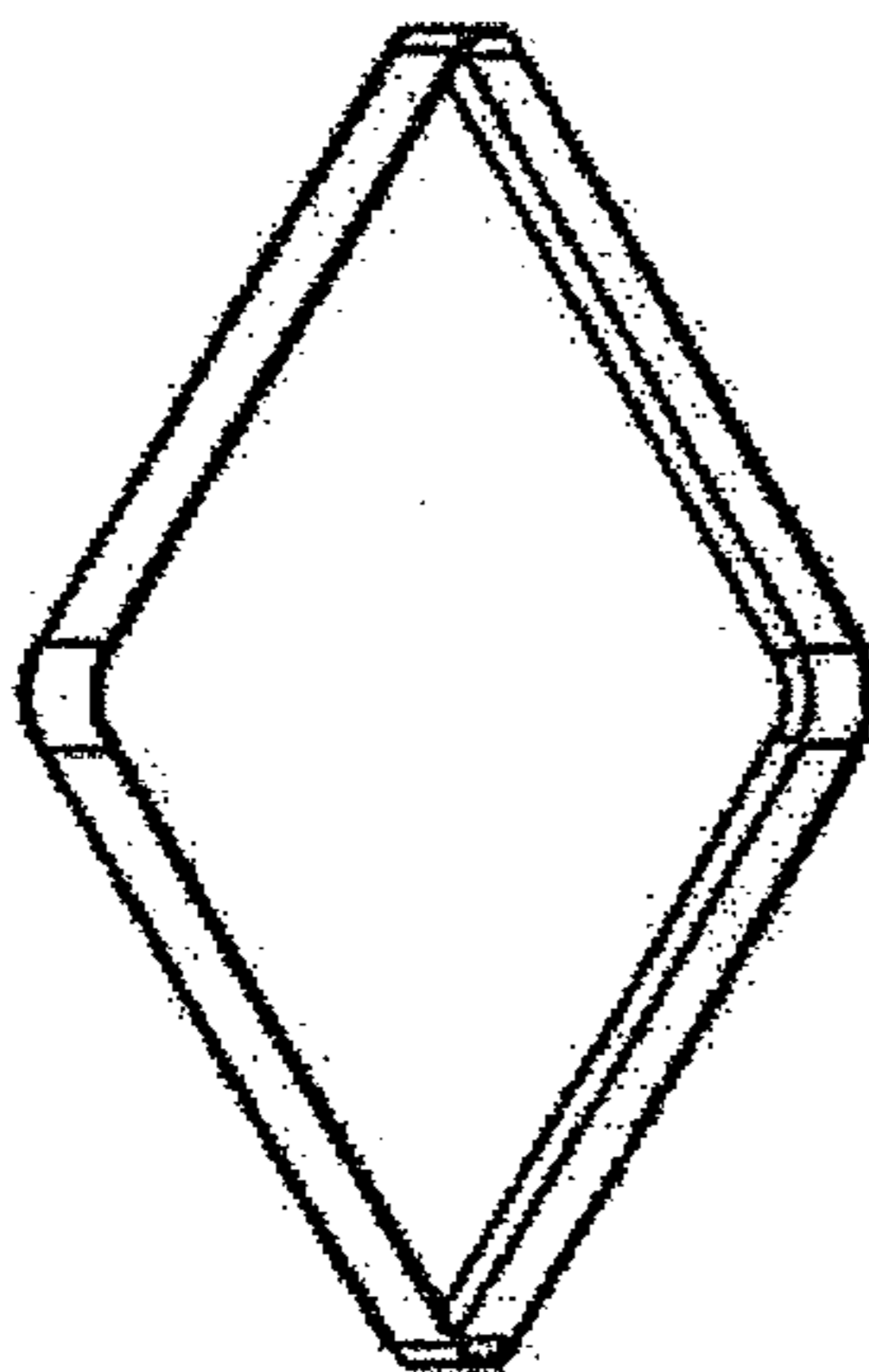


Fig. 4

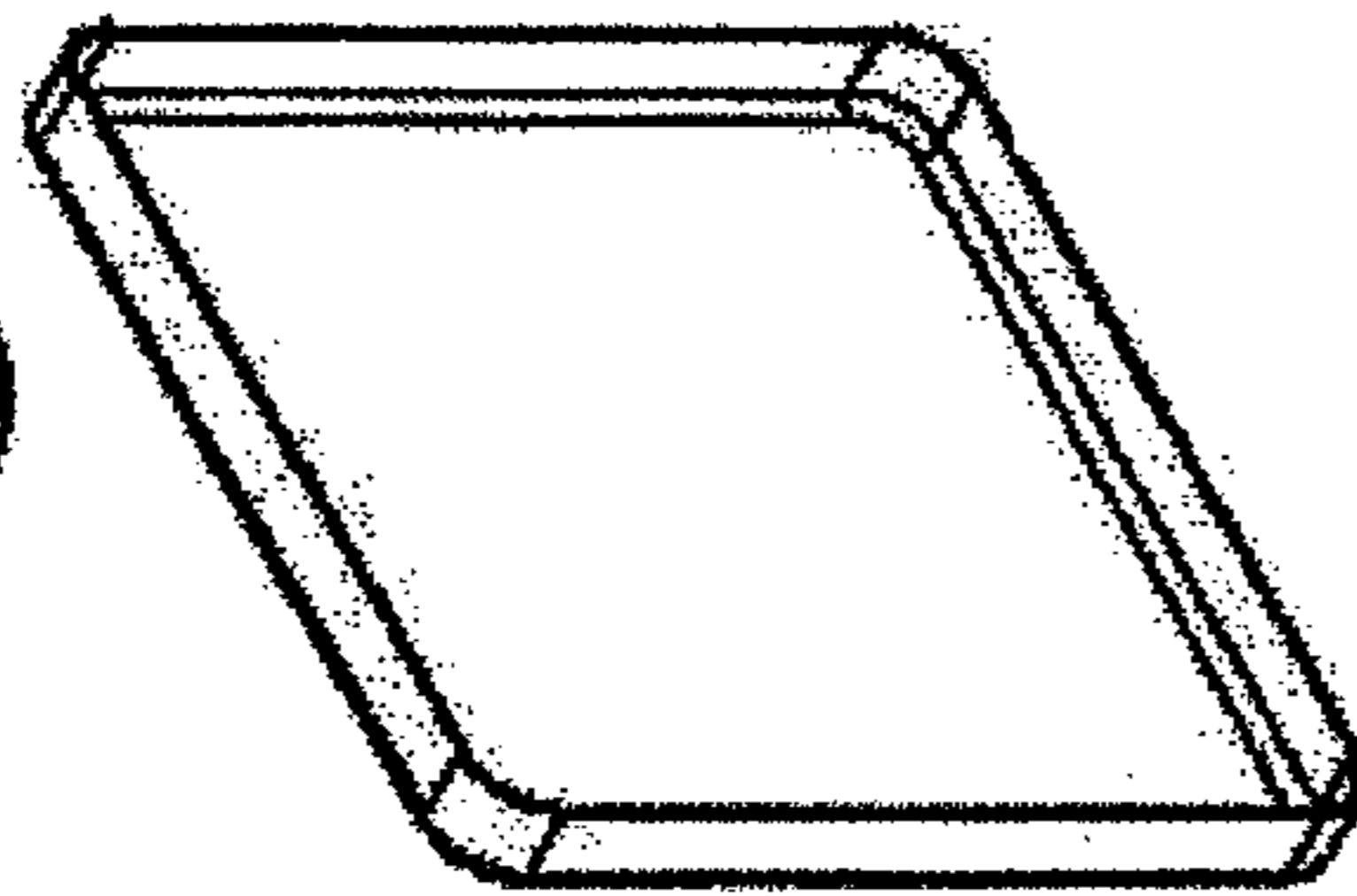


Fig. 5

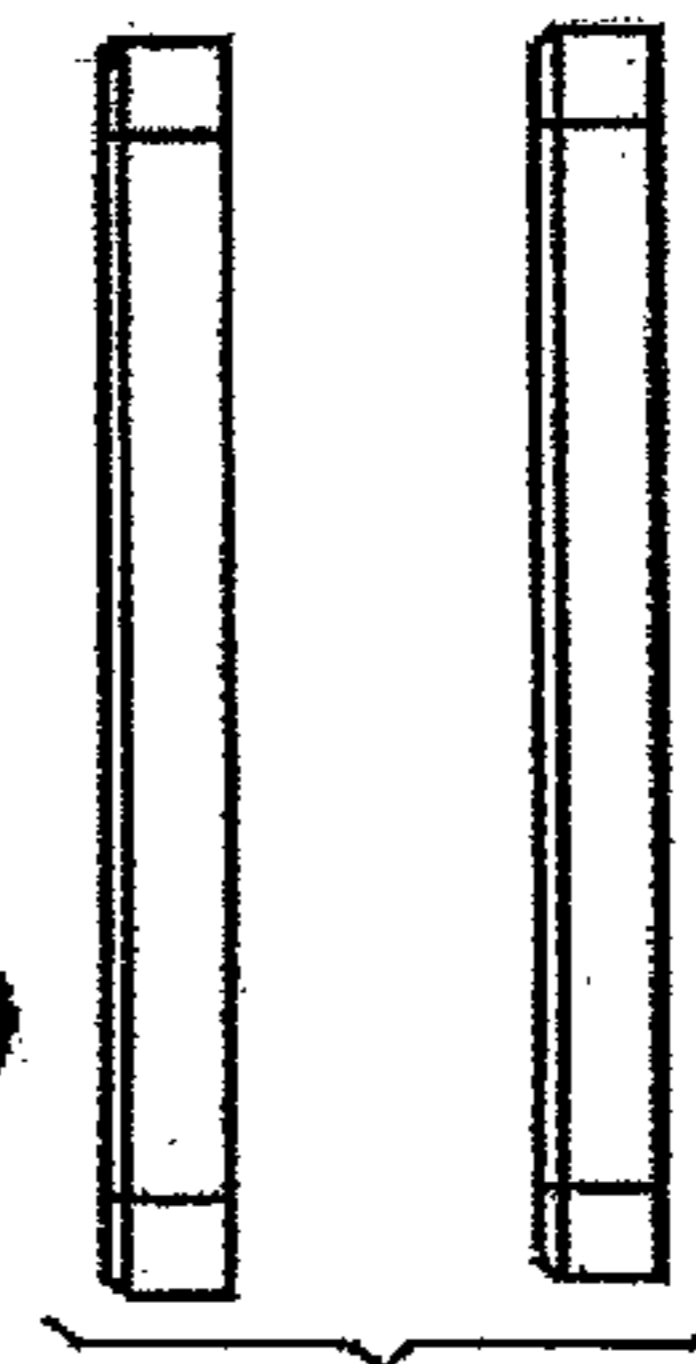


Fig. 6

Fig. 7

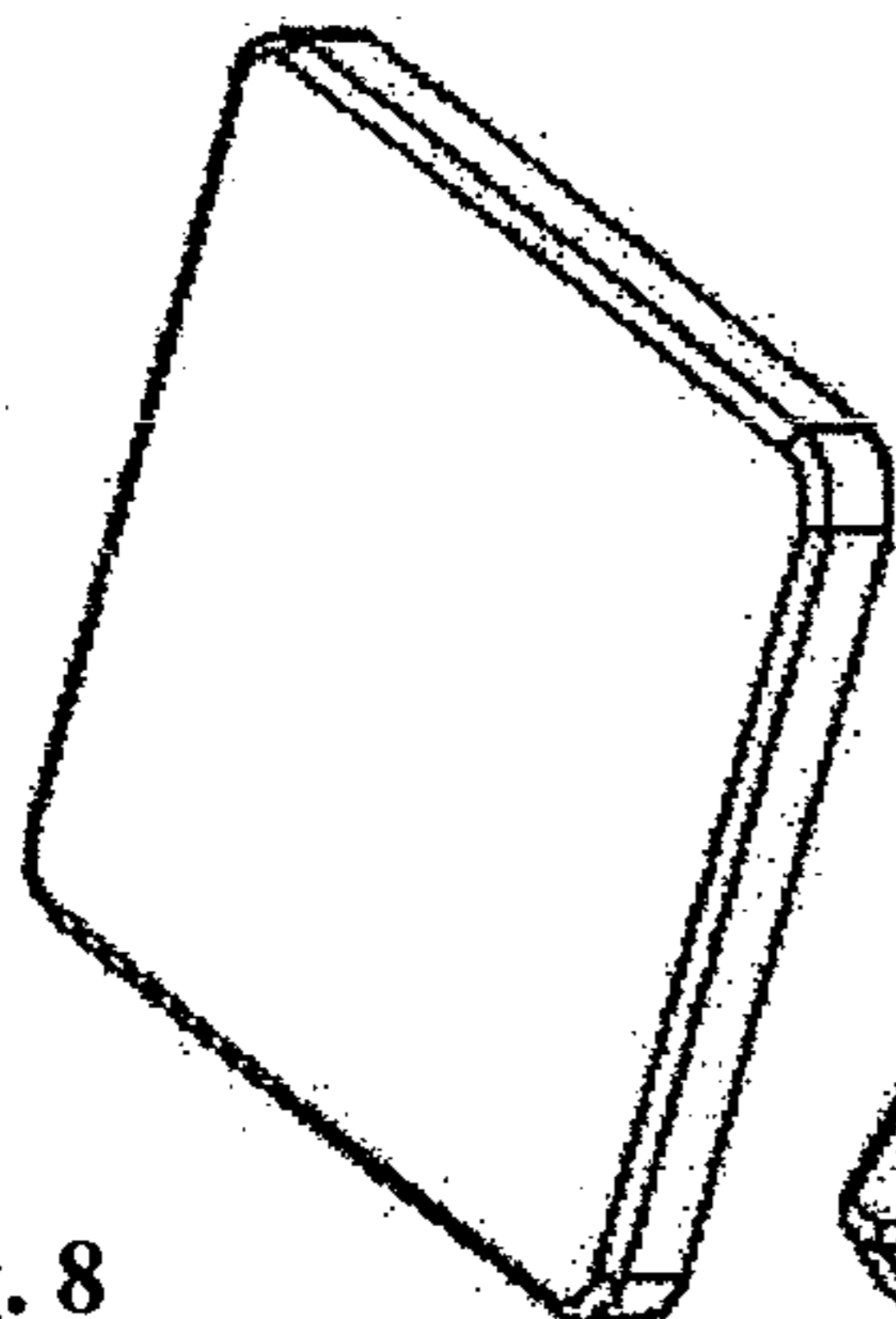


Fig. 8

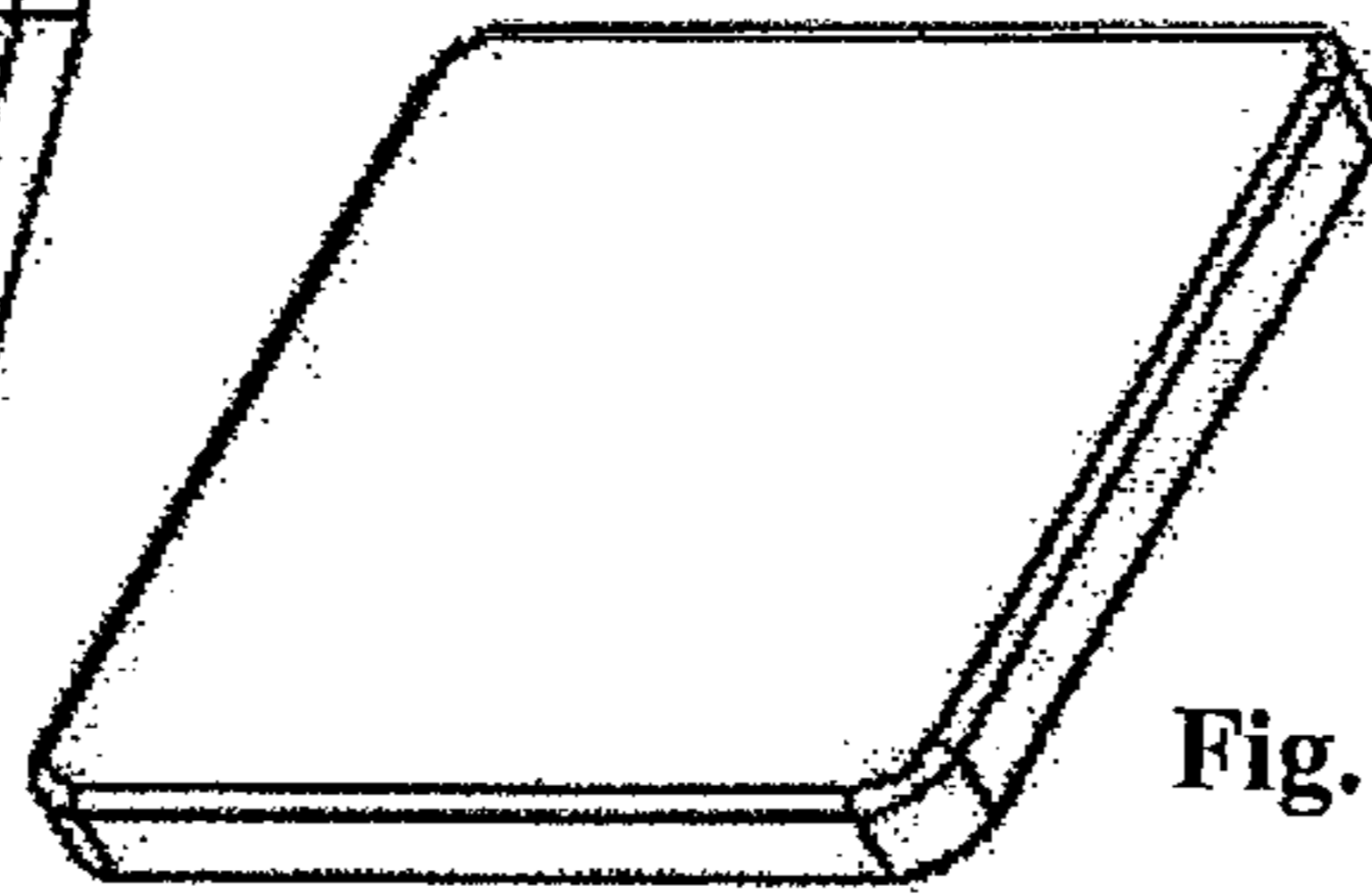


Fig. 9

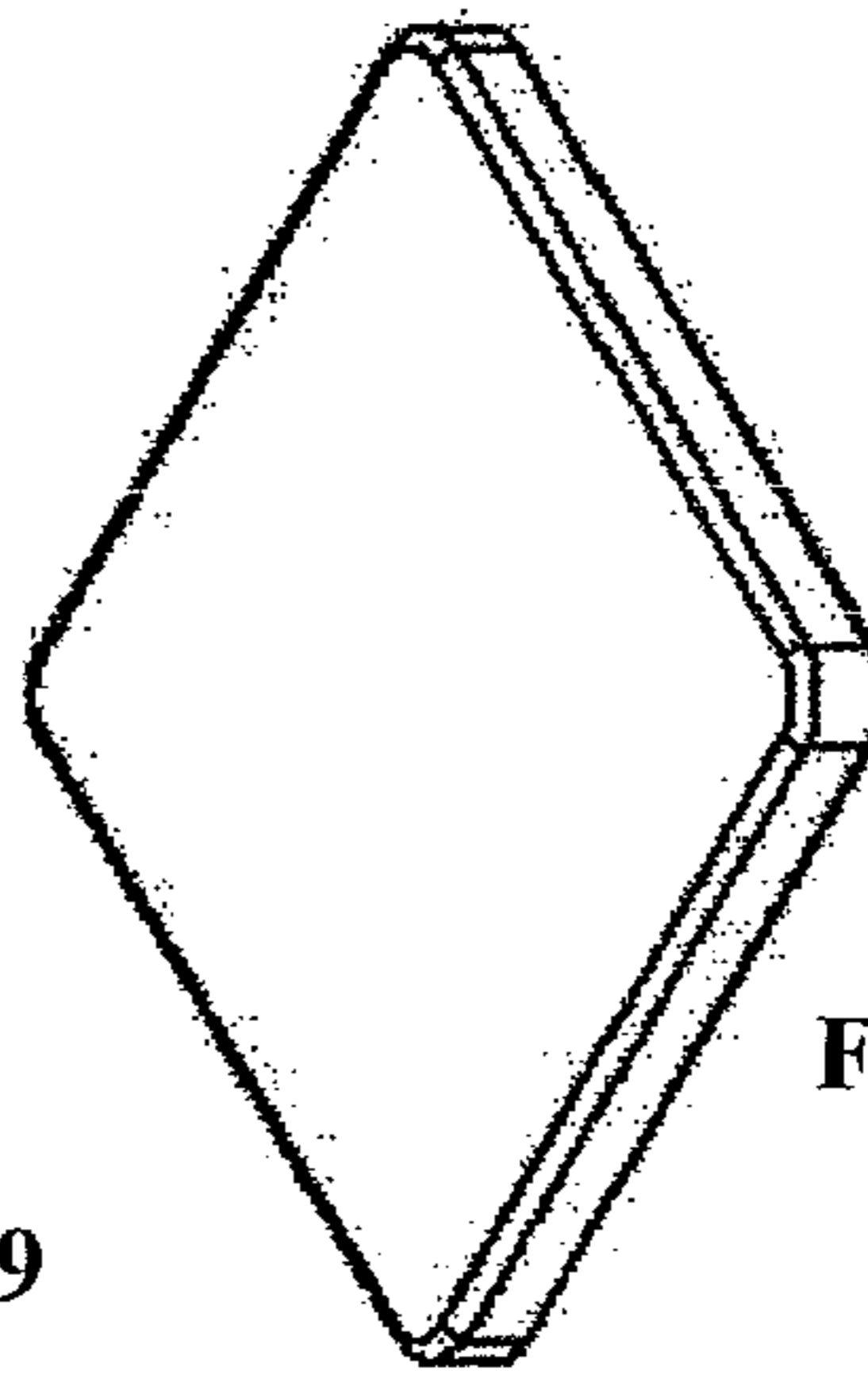


Fig. 10

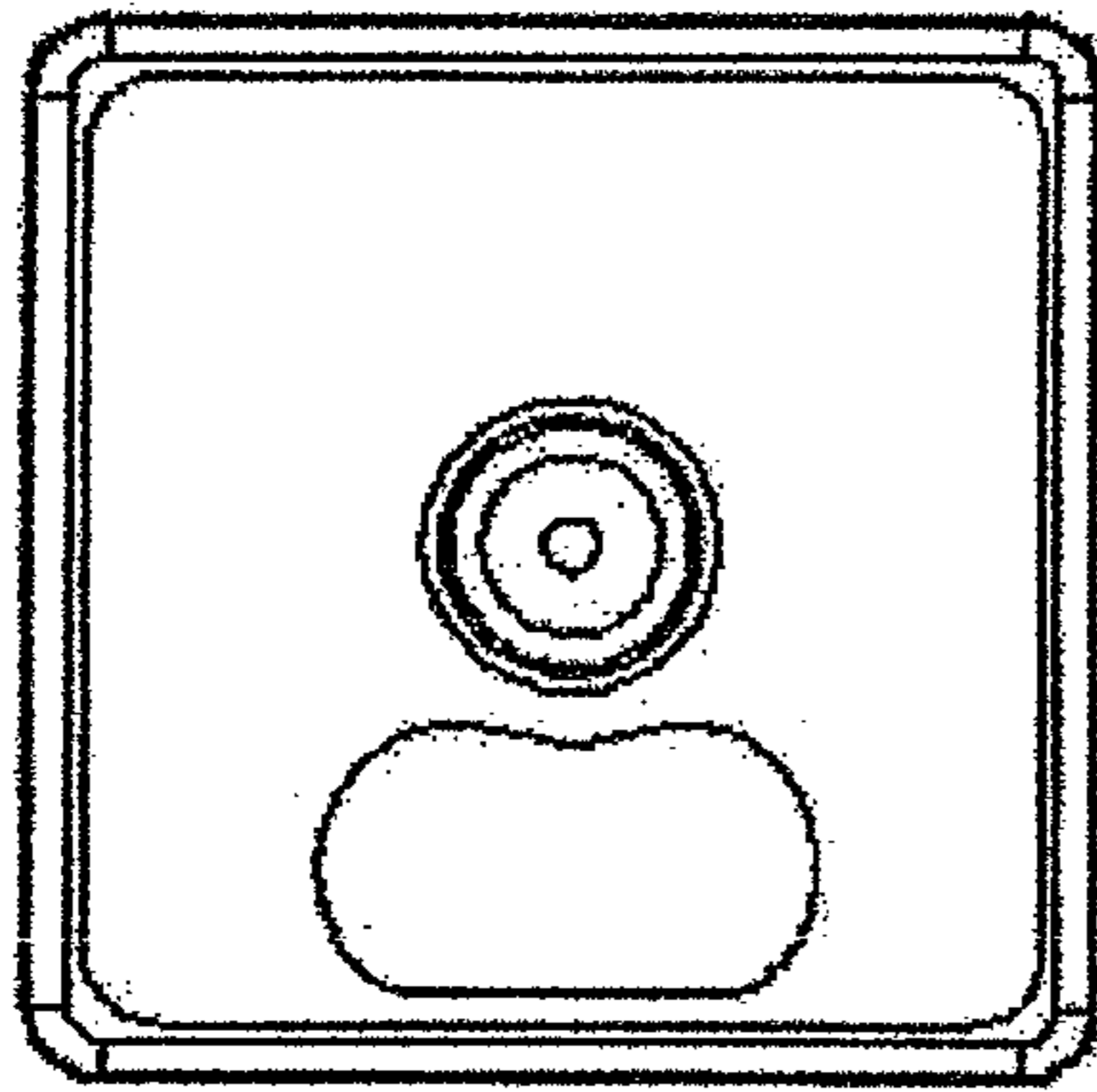


Fig. 11

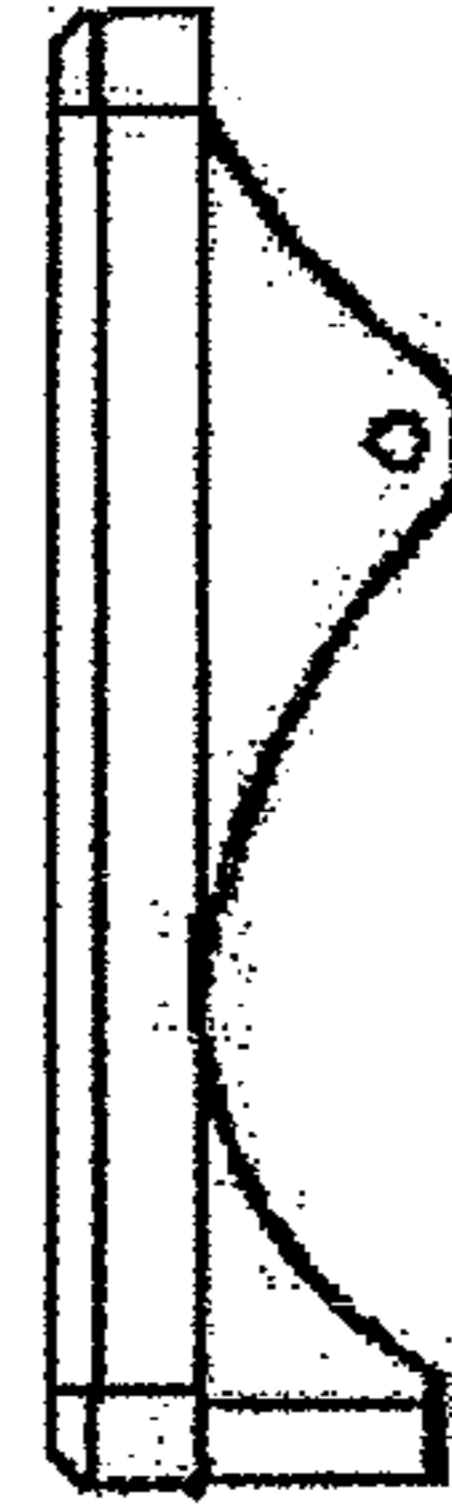


Fig. 12



Fig. 13

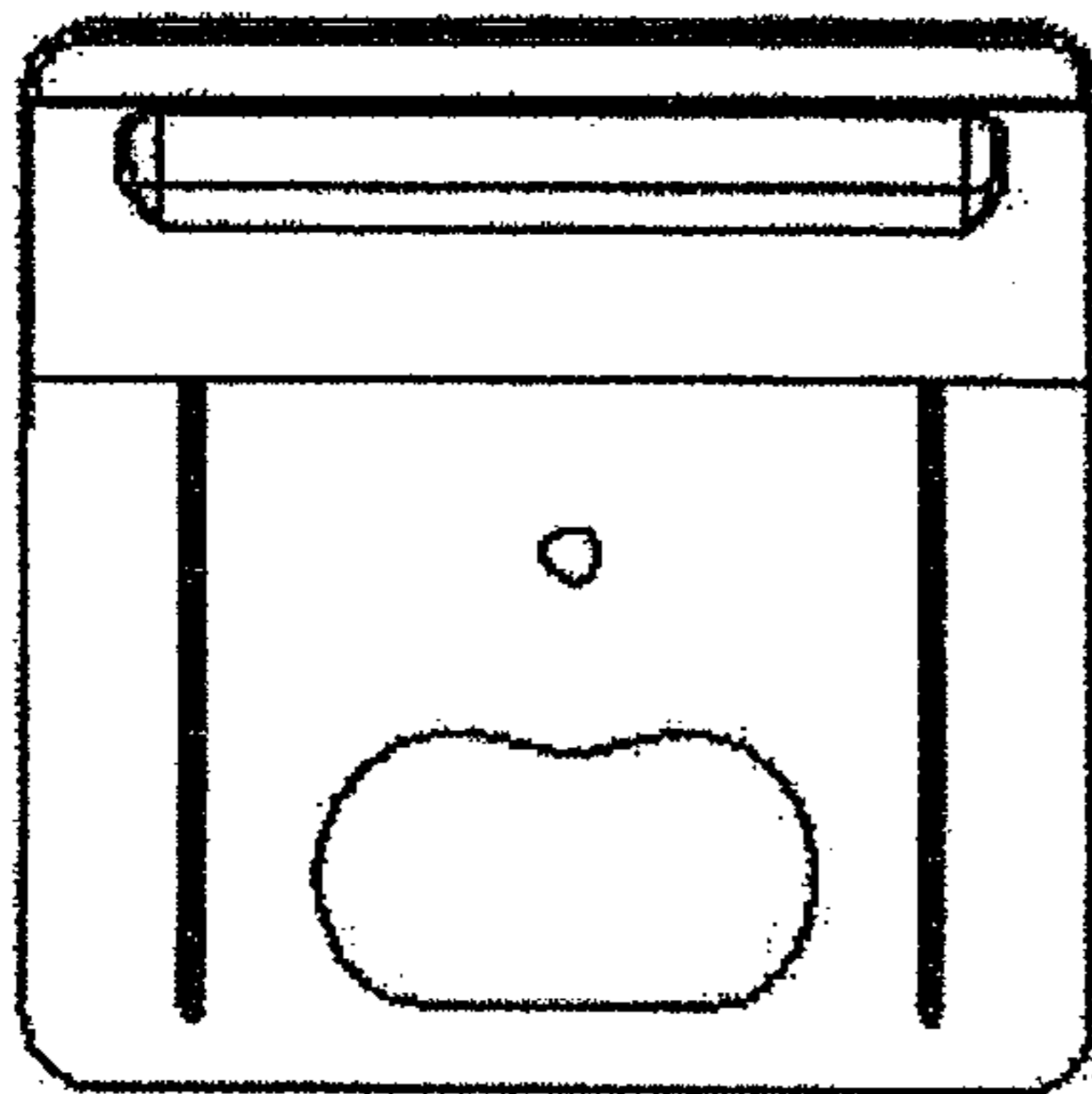


Fig. 14



Fig. 15



Fig. 16

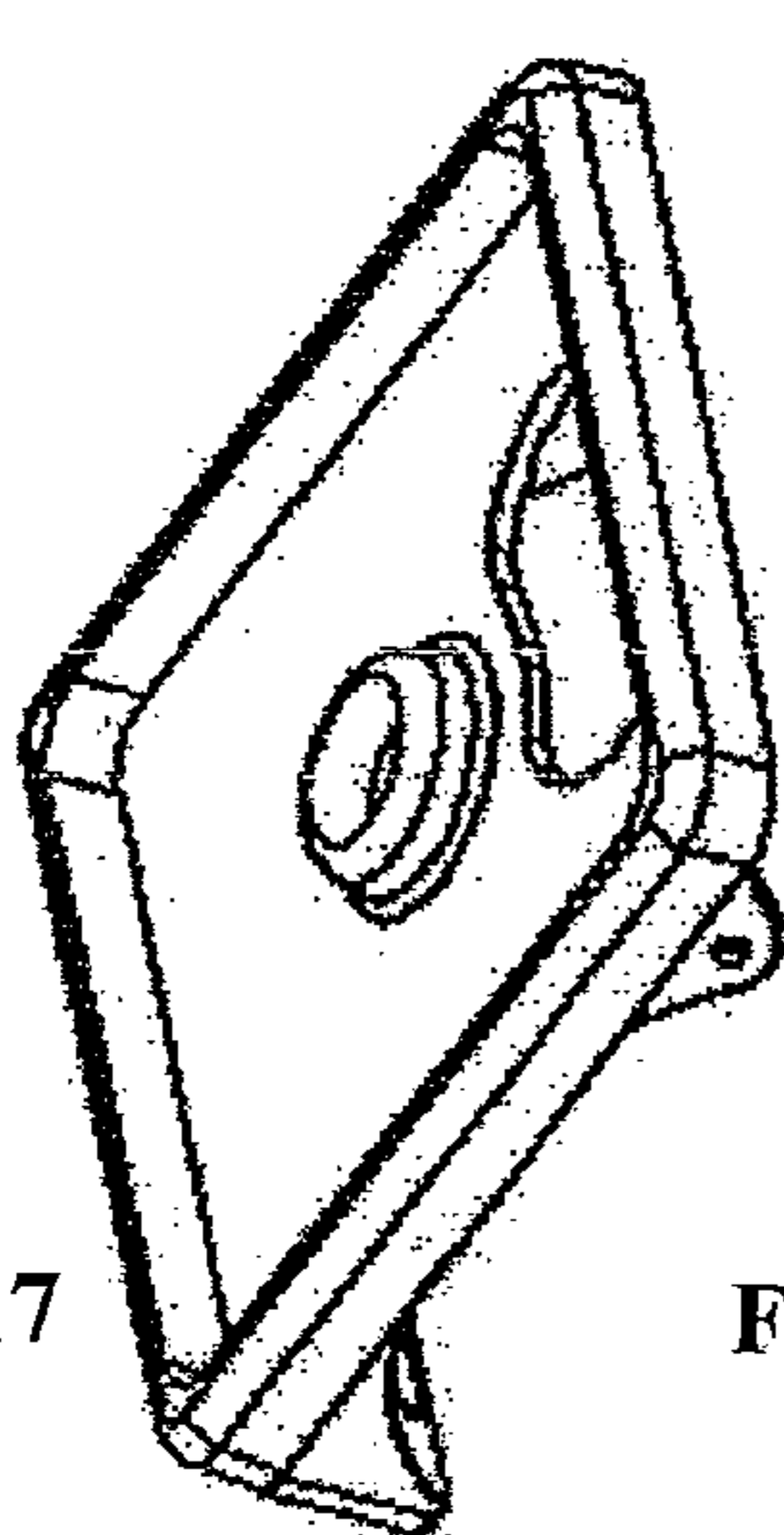


Fig. 17

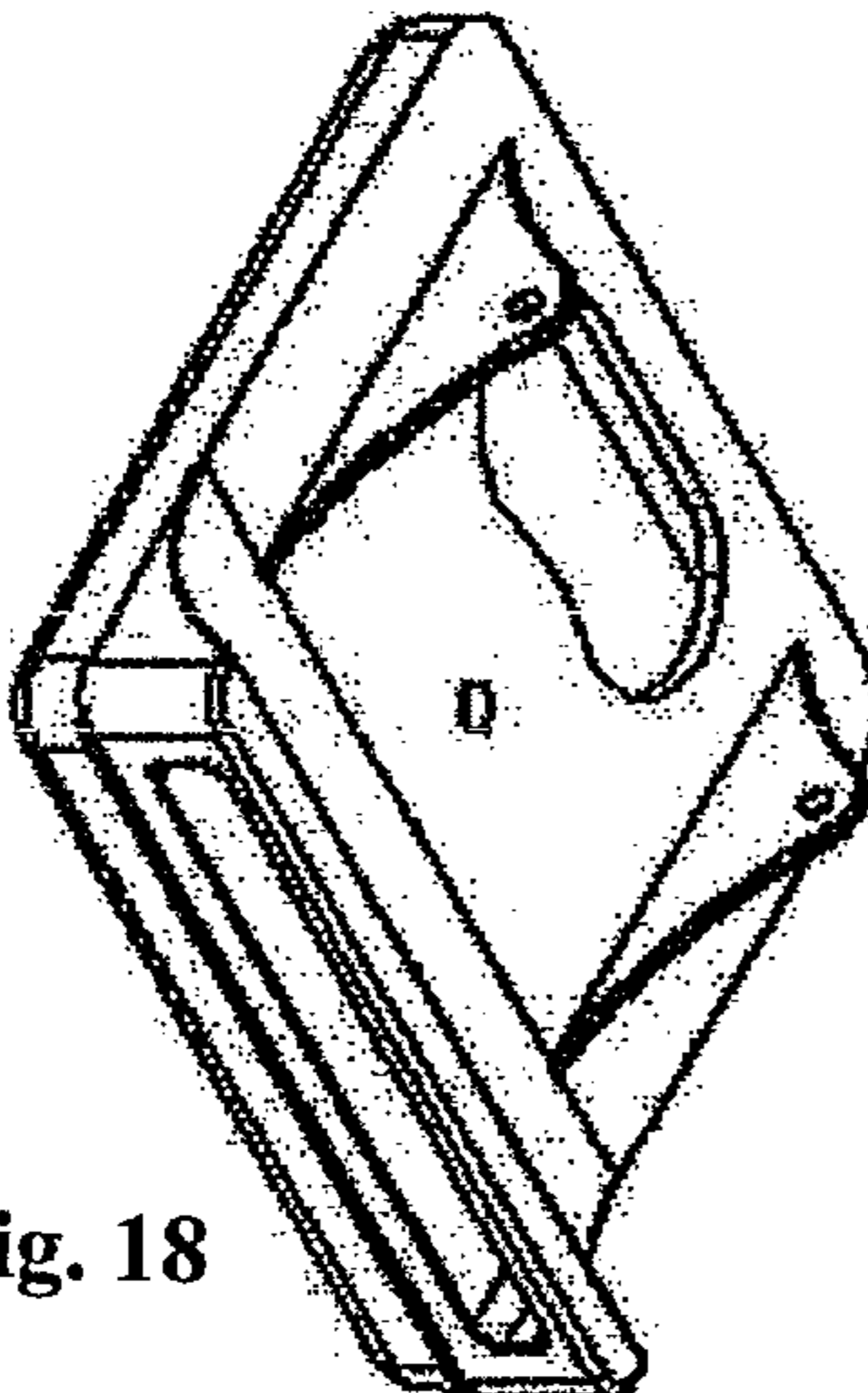


Fig. 18

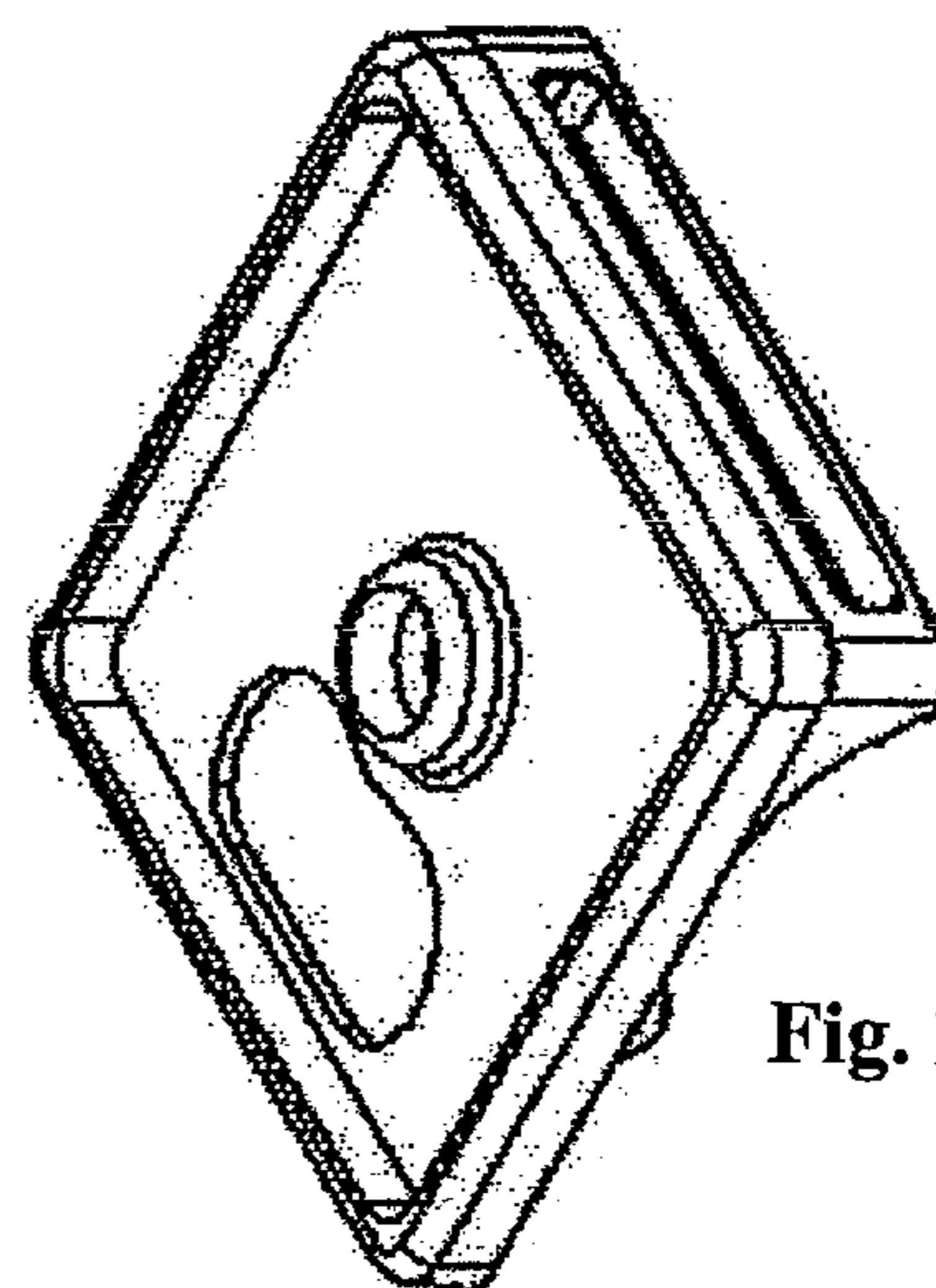


Fig. 19

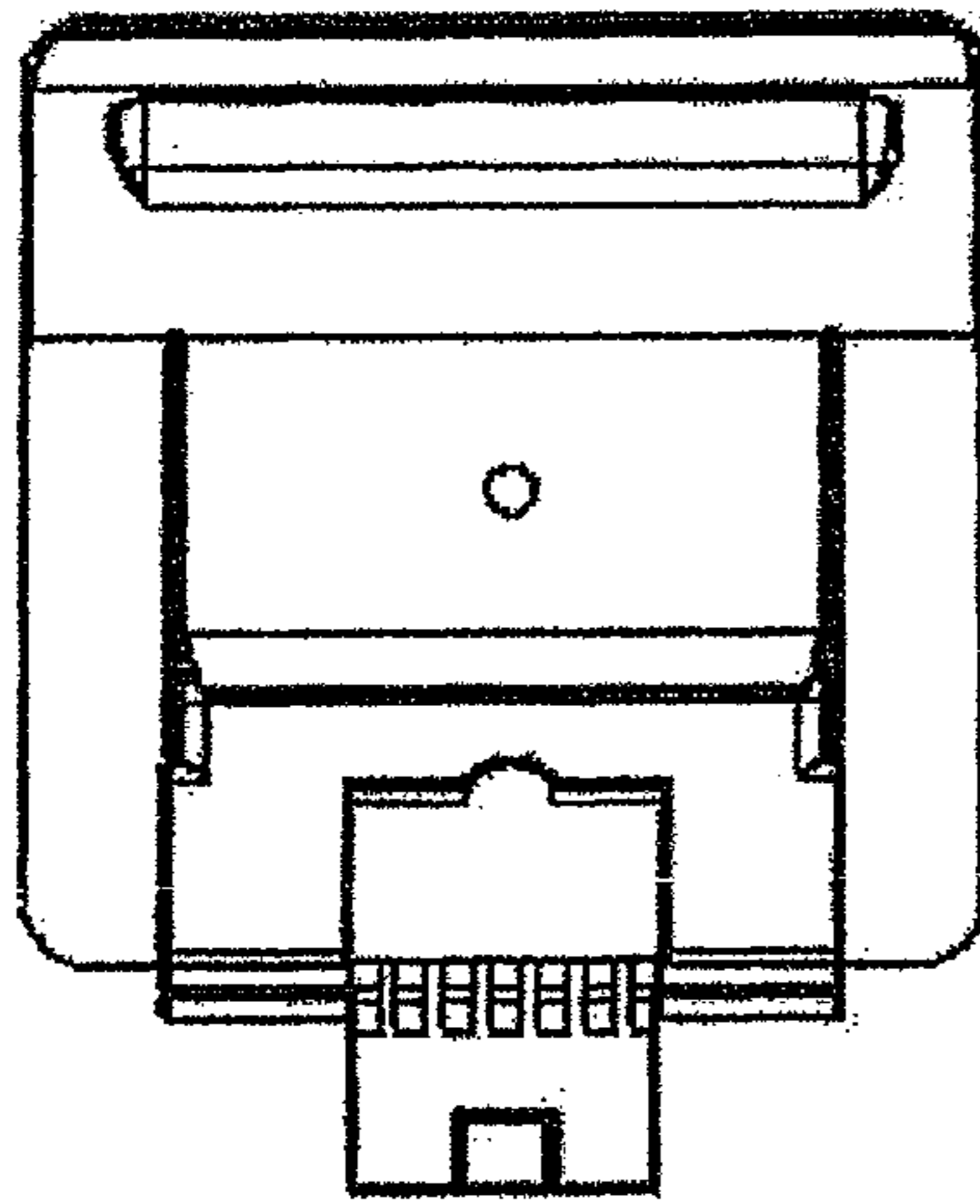


Fig. 20

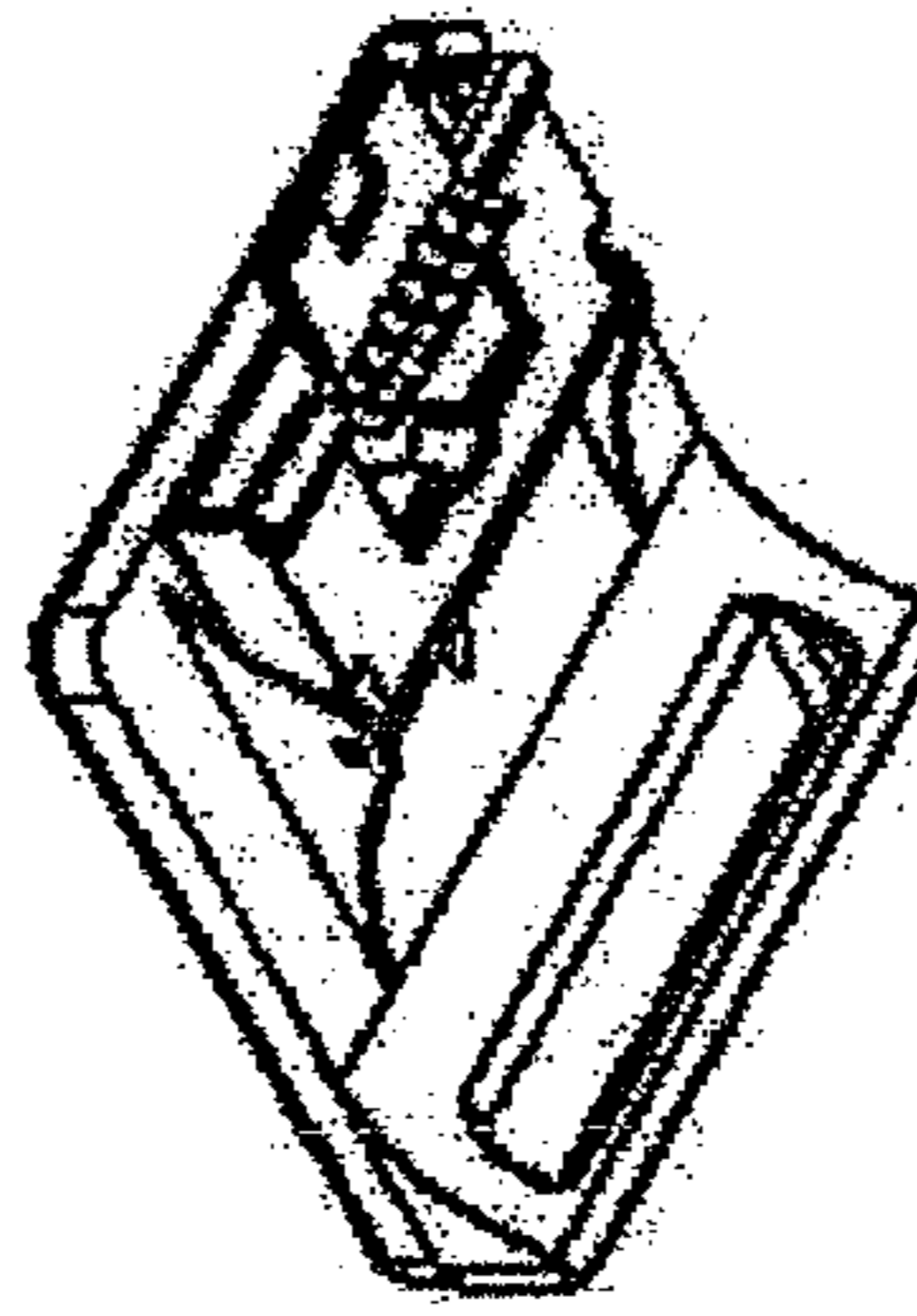


Fig. 21

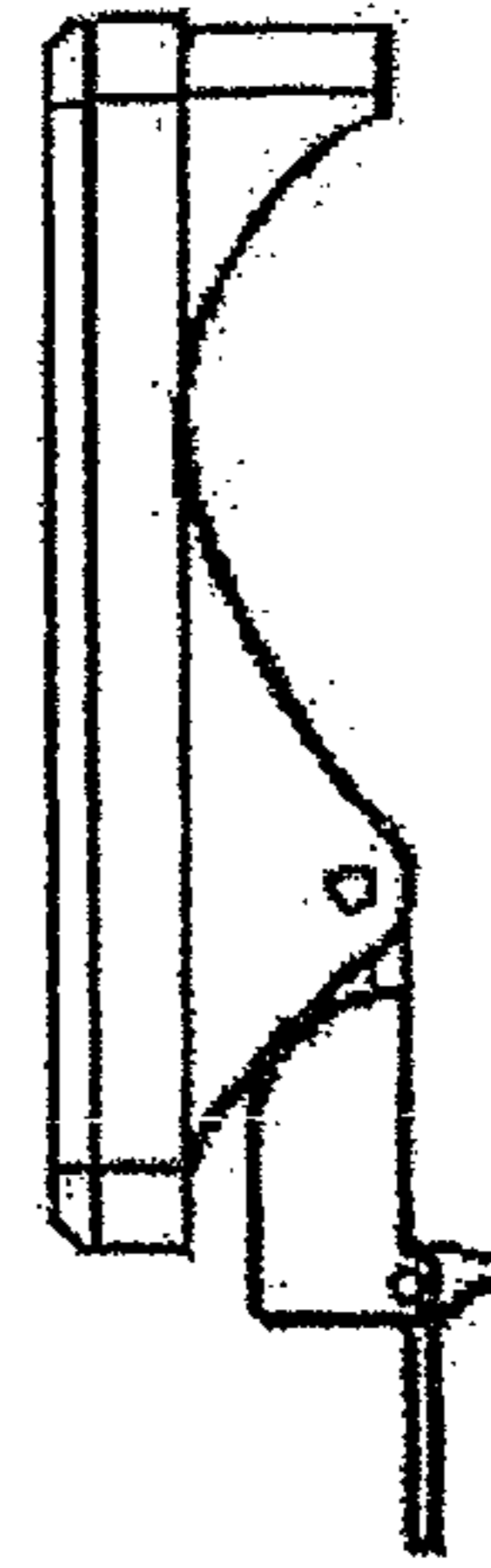


Fig. 22

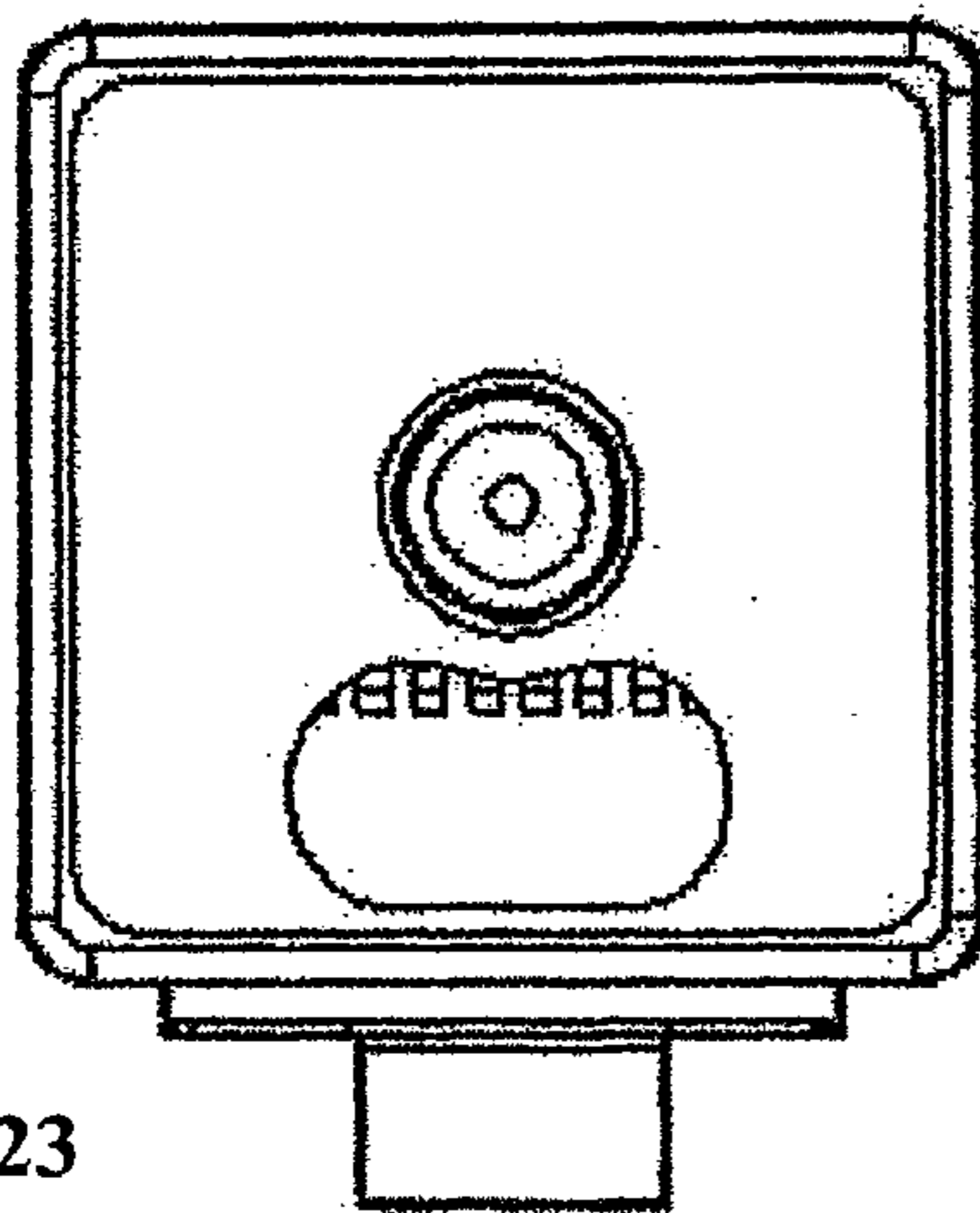


Fig. 23

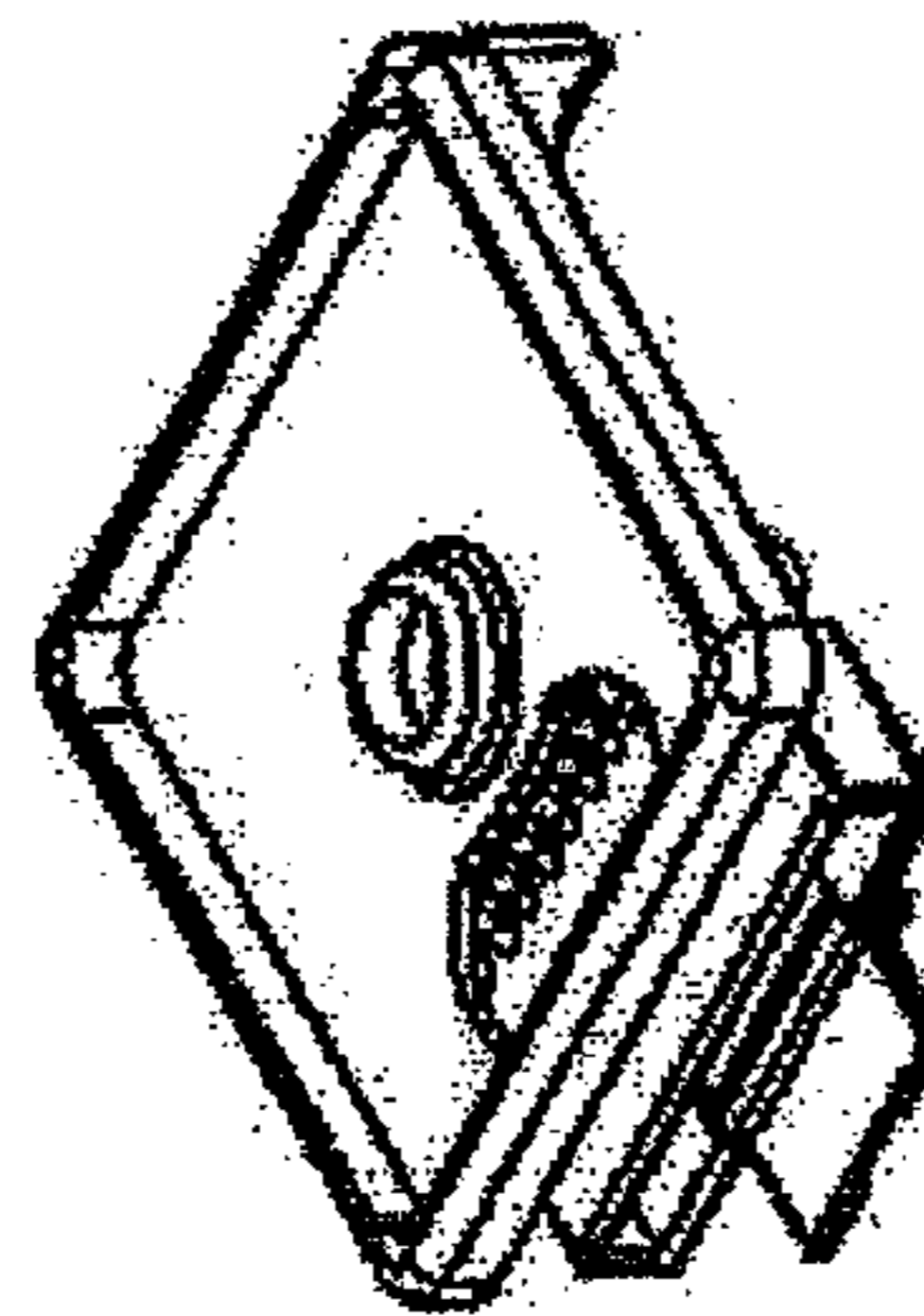


Fig. 24

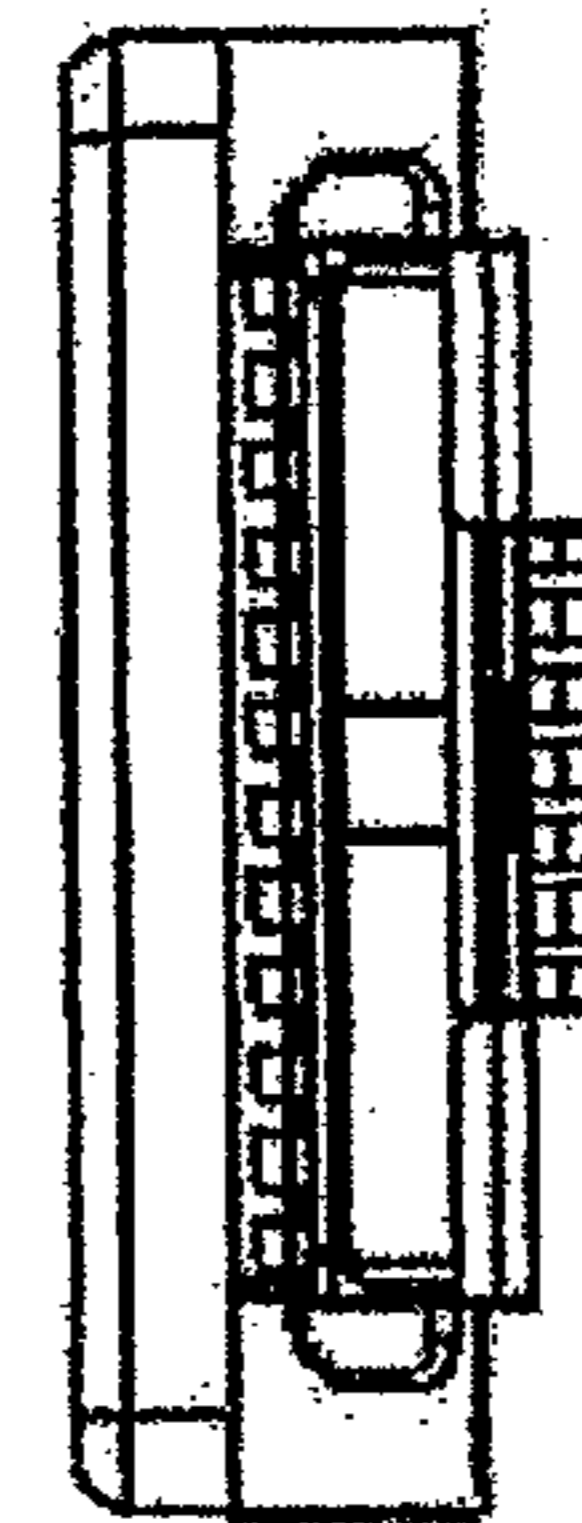


Fig. 25

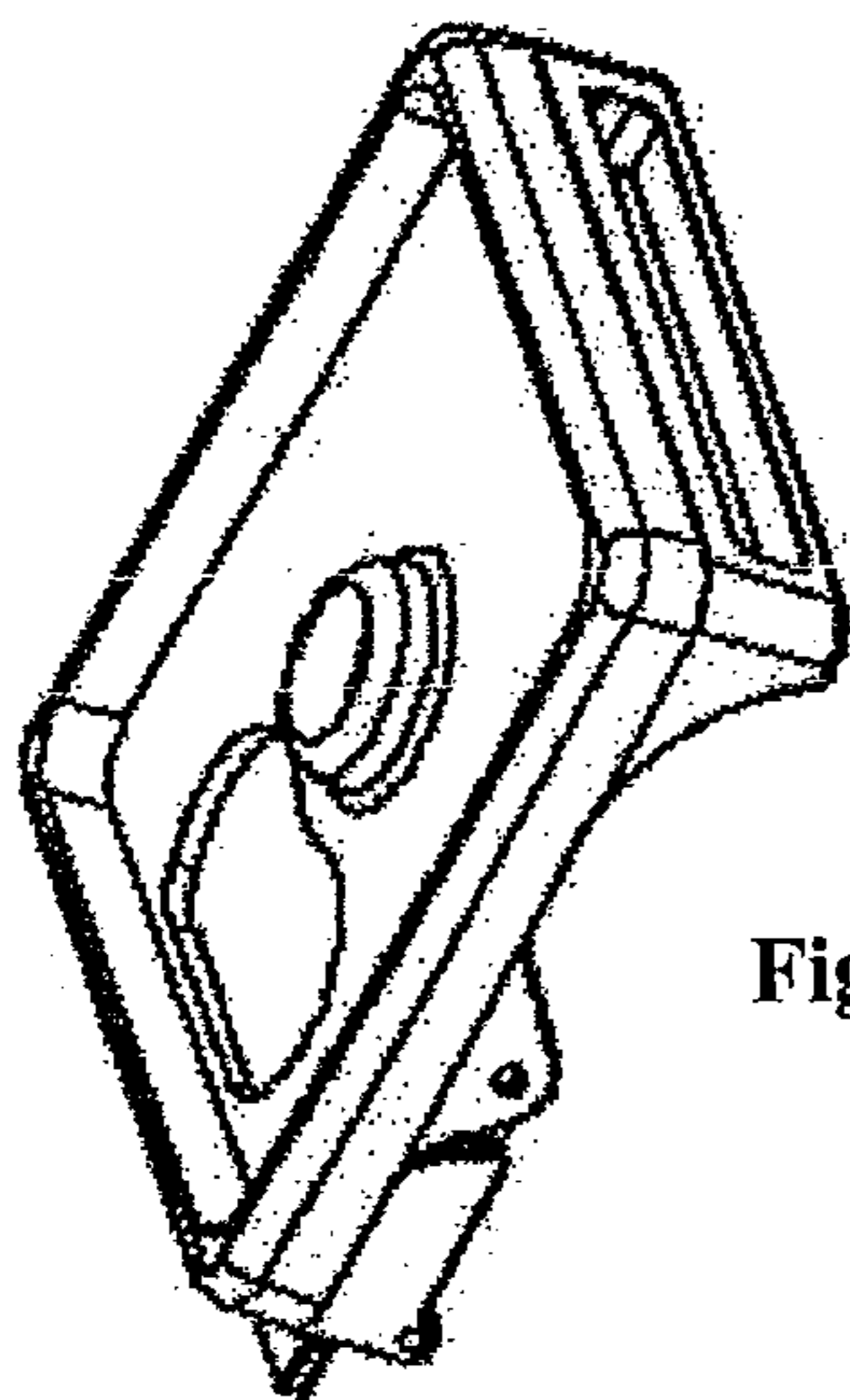


Fig. 26



Fig. 27

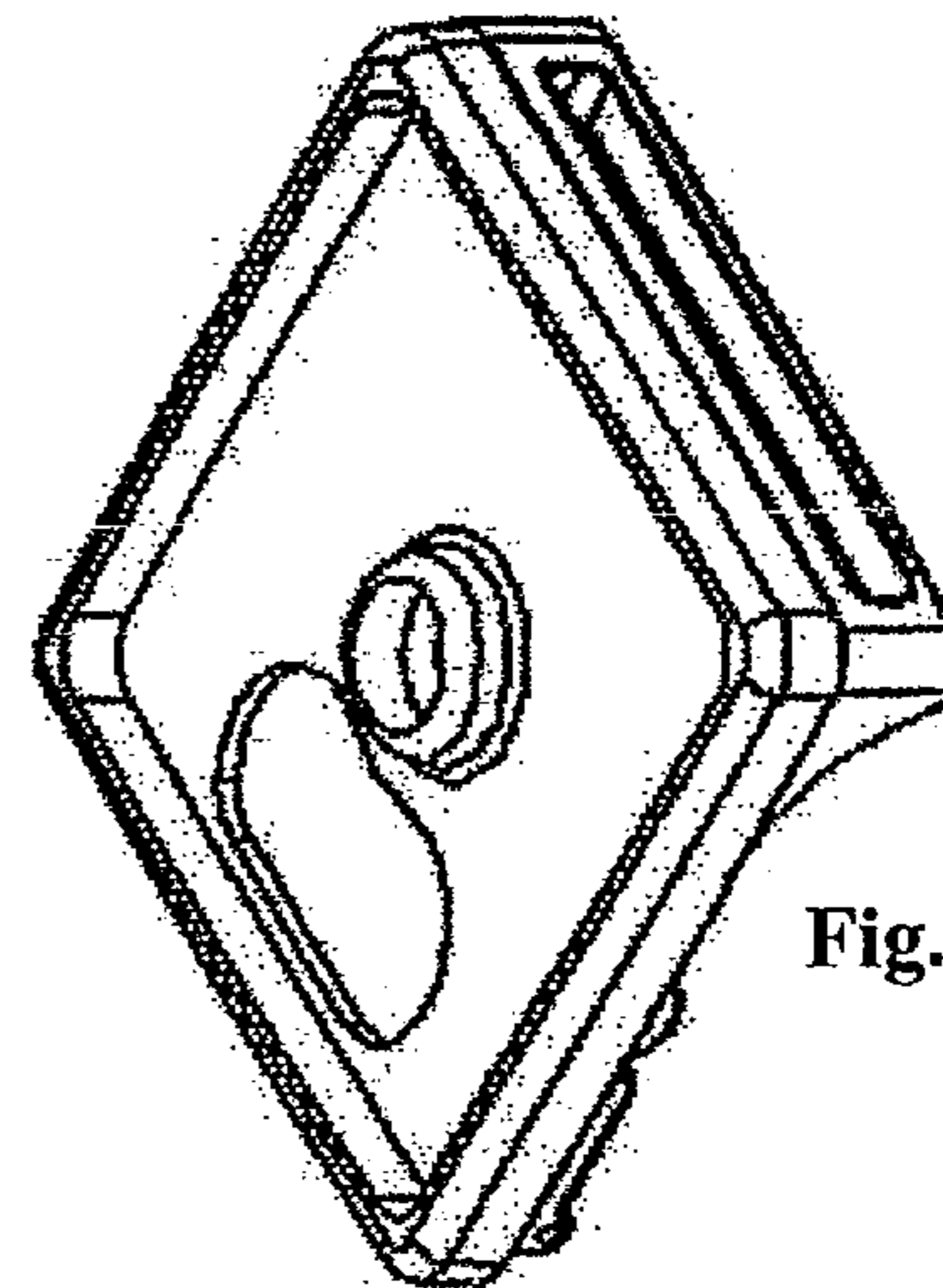


Fig. 28

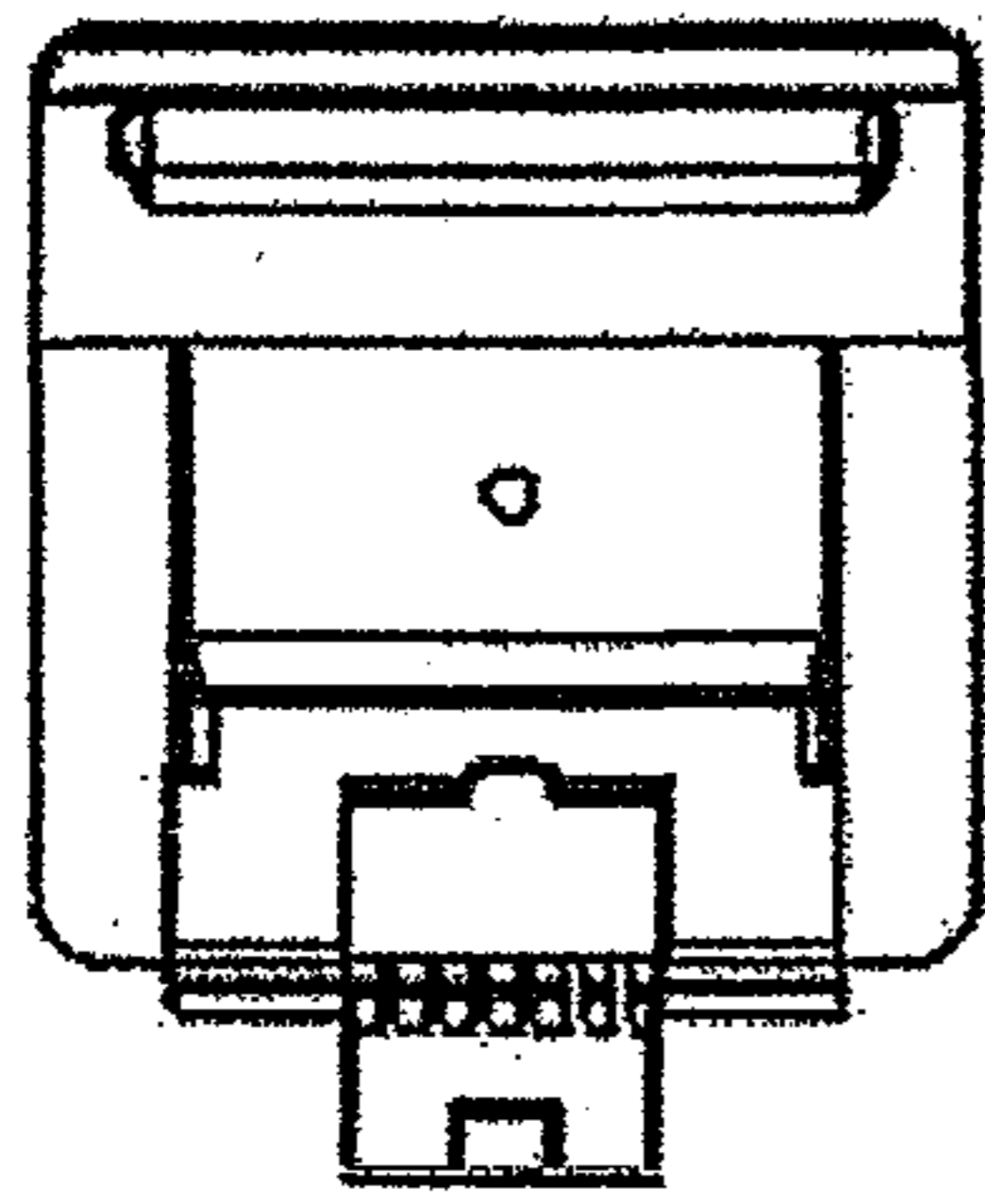


Fig. 29

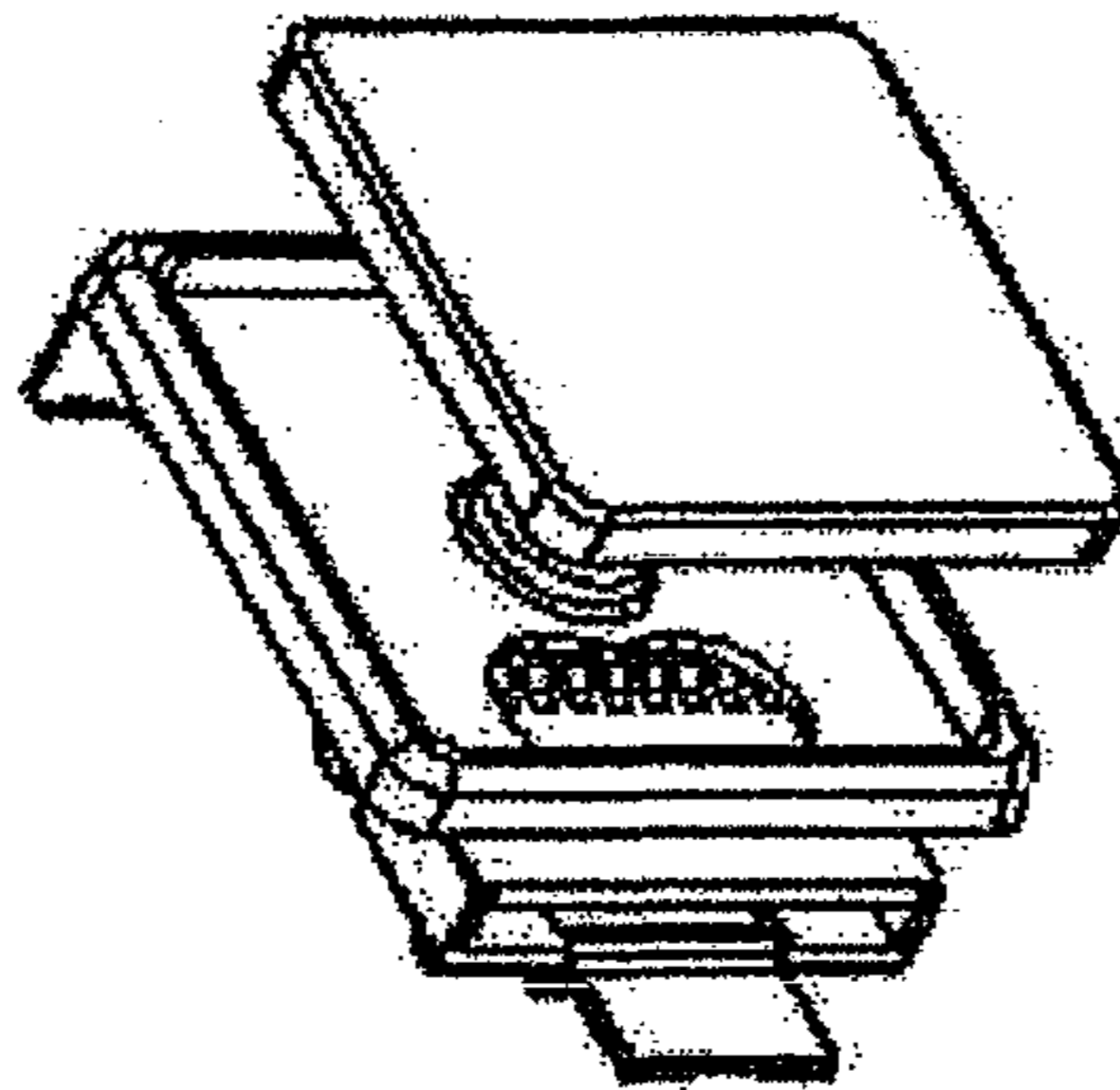


Fig. 30

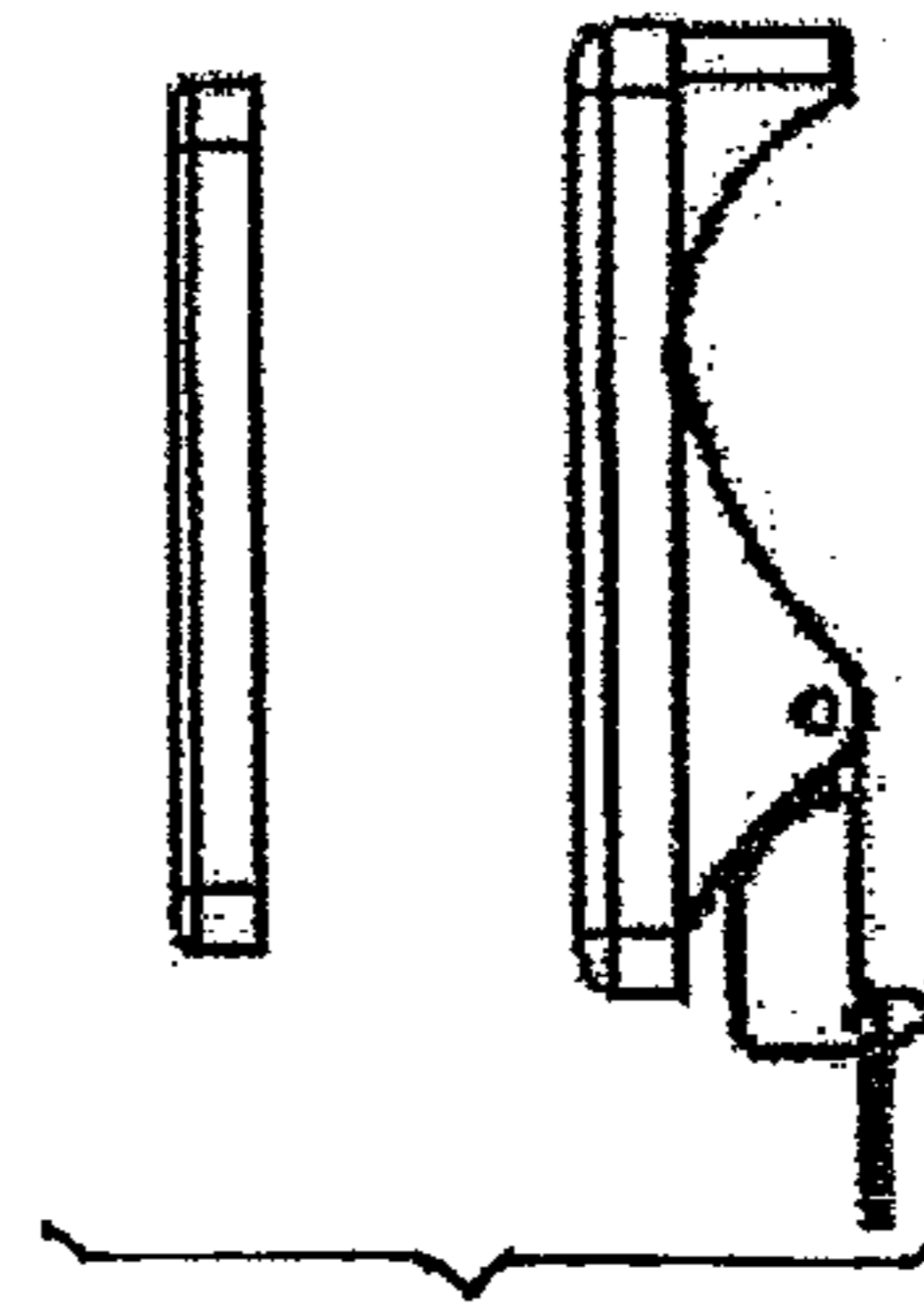


Fig. 31

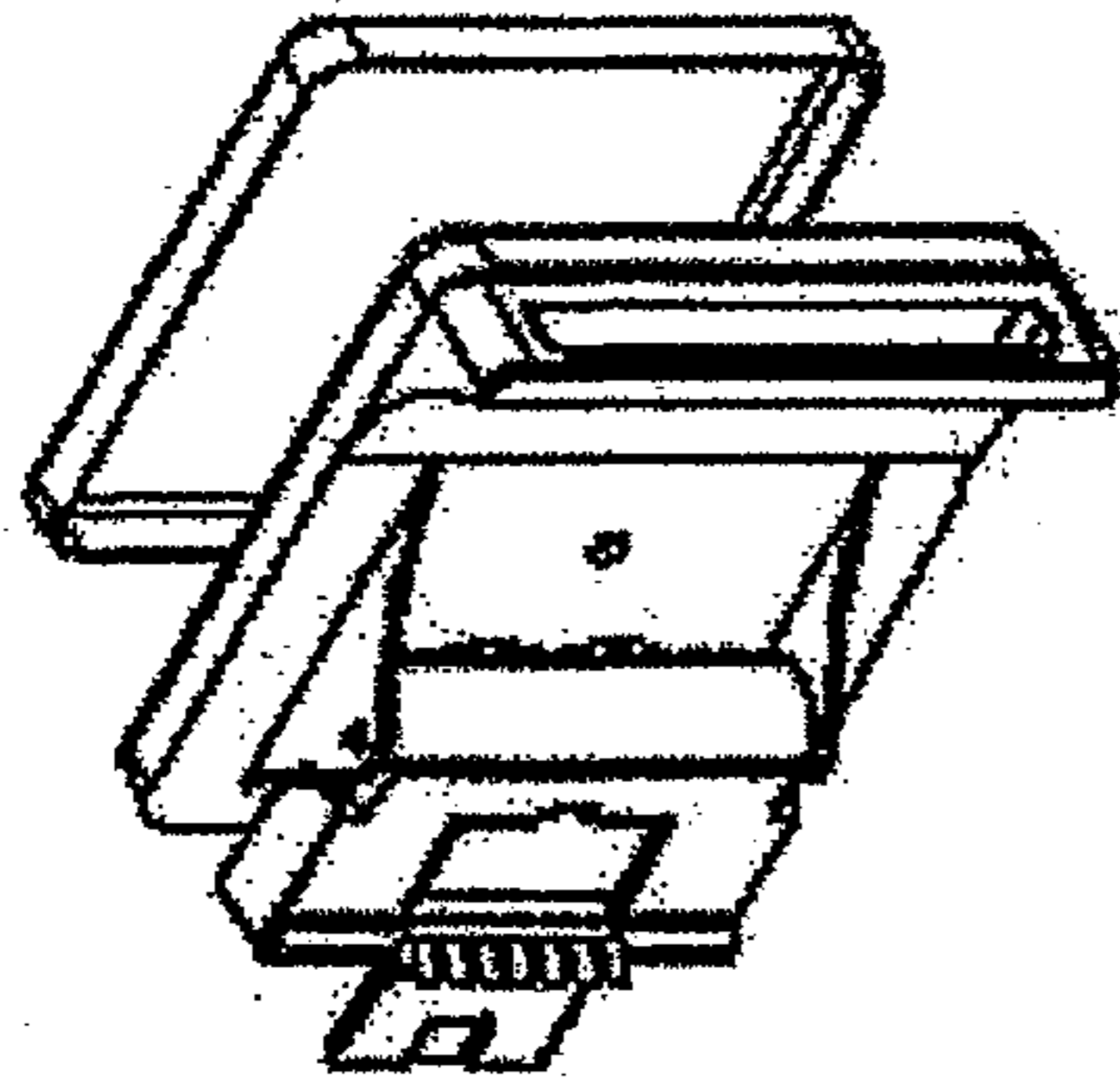


Fig. 32

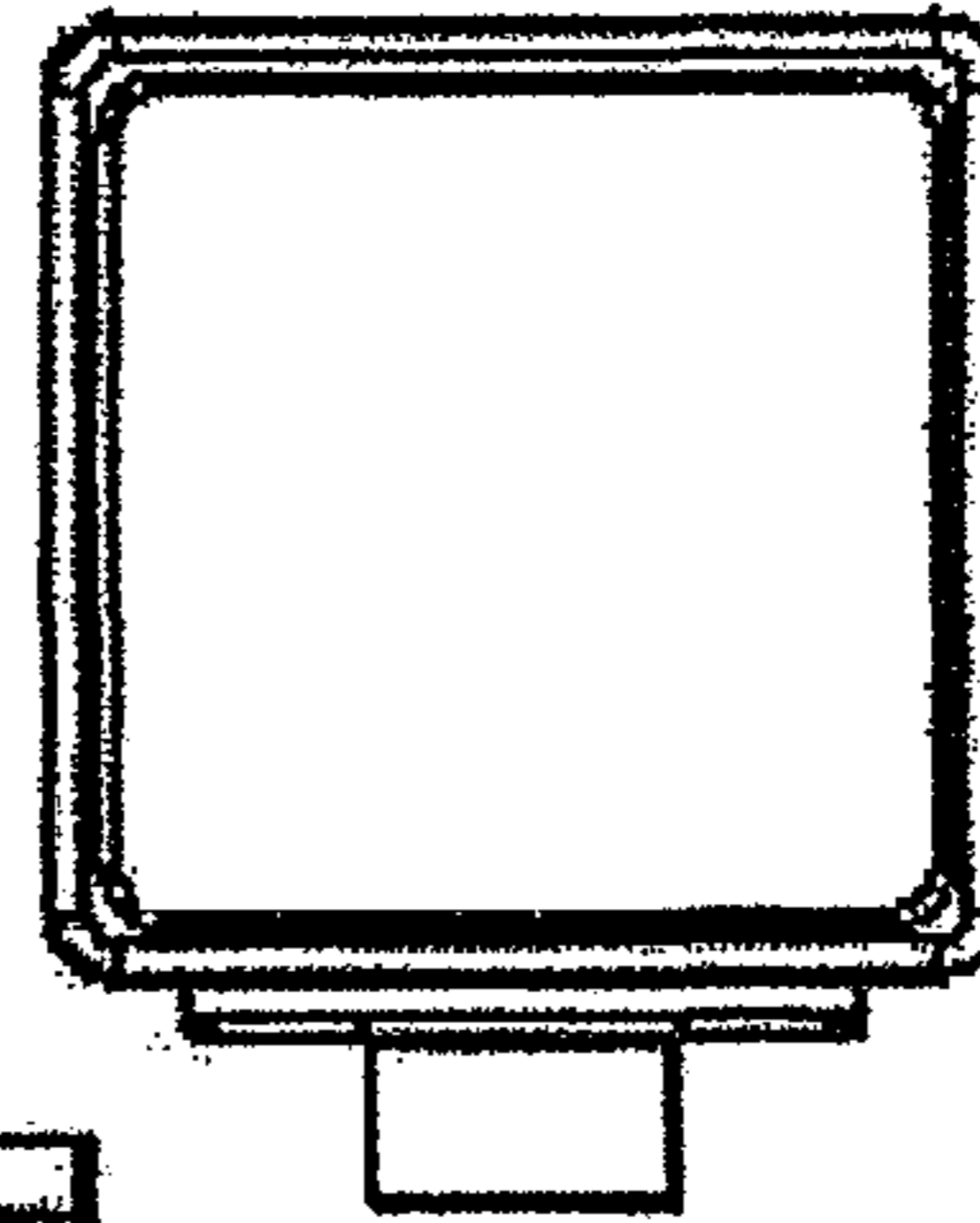


Fig. 33

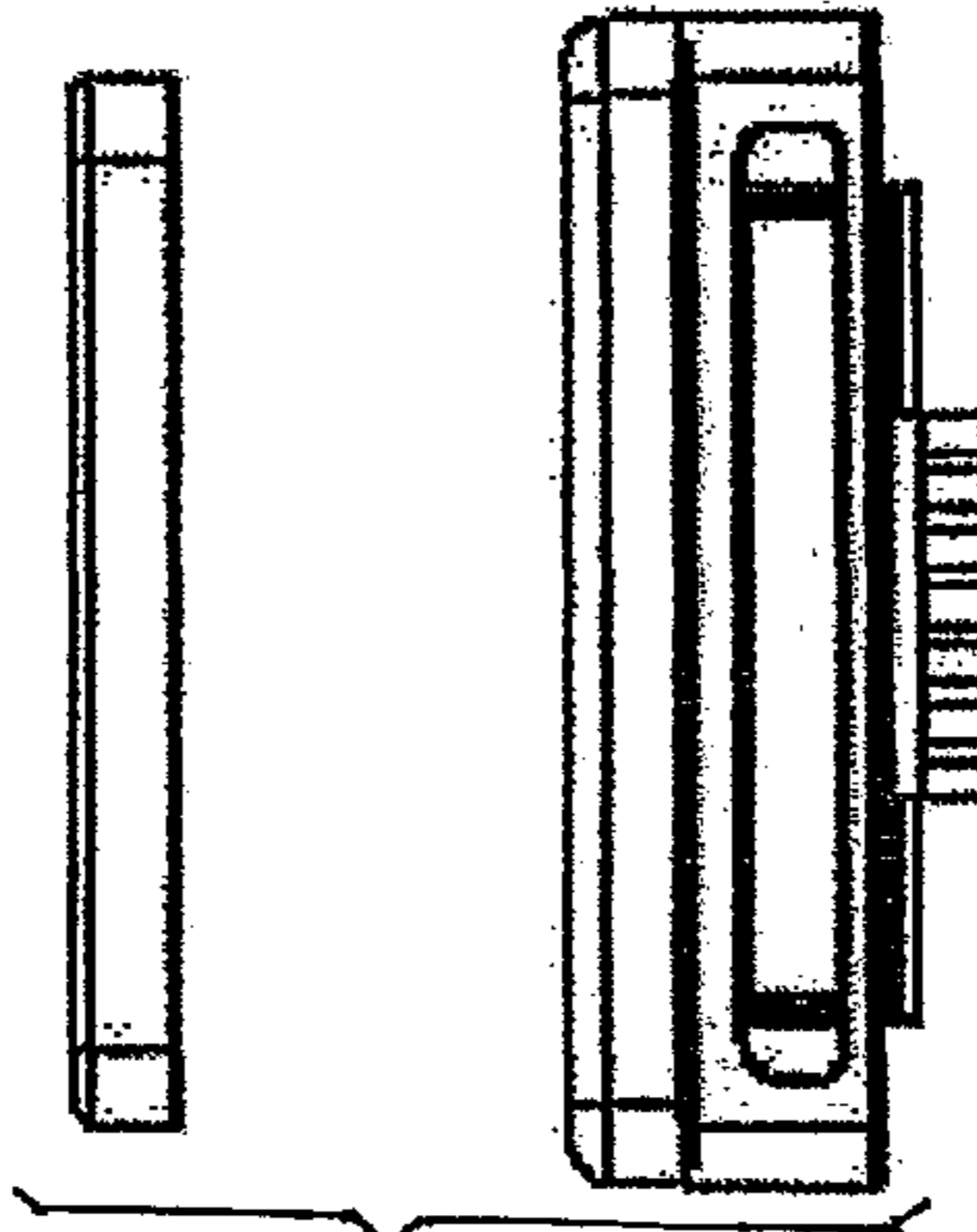


Fig. 34

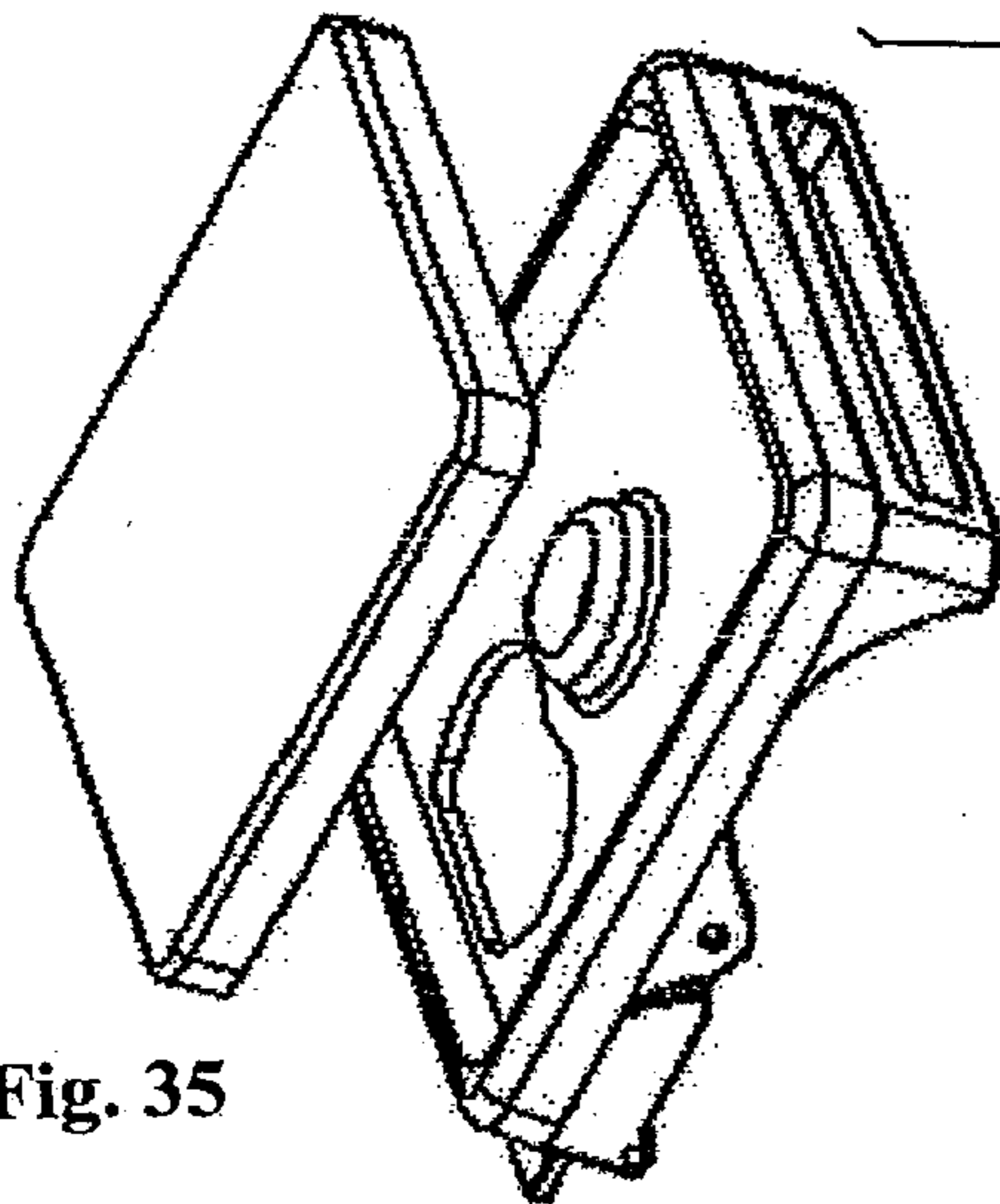


Fig. 35

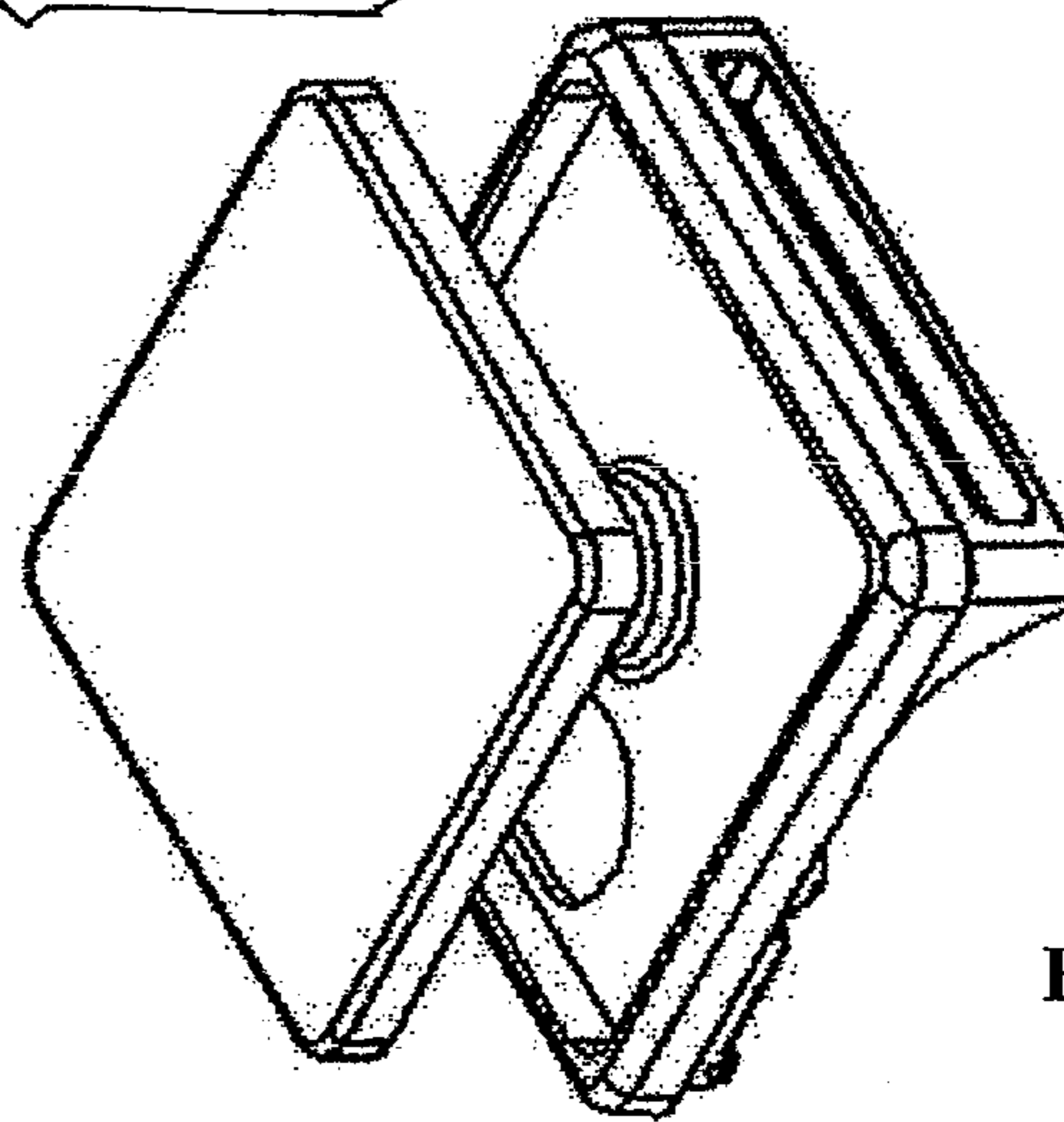


Fig. 36