



US00D632215S

(12) **United States Design Patent**  
**Shani et al.**

(10) **Patent No.:** **US D632,215 S**  
(45) **Date of Patent:** **\*\* Feb. 8, 2011**

(54) **BELT BUCKLE**

(76) Inventors: **Tal Shani**, 13 Kaplan Street, Petach Tikva (IL) 49451; **Micky Weinstein**, 43/6 Hafetz Haim Street, Petach Tikva (IL) 49350

(\*\*) Term: **14 Years**

(21) Appl. No.: **29/365,364**

(22) Filed: **Jul. 8, 2010**

**Related U.S. Application Data**

(62) Division of application No. 29/345,963, filed on Oct. 23, 2009.

(30) **Foreign Application Priority Data**

Apr. 23, 2009	(IL)	.....	47602
Apr. 23, 2009	(IL)	.....	47603
Apr. 23, 2009	(IL)	.....	47604
Apr. 23, 2009	(IL)	.....	47605
Apr. 23, 2009	(IL)	.....	47606

(51) **LOC (9) Cl.** ..... **02-07**

(52) **U.S. Cl.** ..... **D11/216**

(58) **Field of Classification Search** ..... D11/1-2, D11/200-201, 203-206, 210, 212, 214-219, D11/222, 224, 226; 24/163 R, 169-171, 24/173, 177-179, 191, 194-195, 197, 200

See application file for complete search history.

(56) **References Cited**

**U.S. PATENT DOCUMENTS**

2,110,684 A 3/1938 Schuhmann ..... 24/313

(Continued)

*Primary Examiner*—Ralf Seifert

(74) *Attorney, Agent, or Firm*—Ostrolenk Faber LLP

(57) **CLAIM**

We claim the ornamental design for a belt buckle, as shown and described herein.

**DESCRIPTION**

FIG. 1 is a bottom view of a belt buckle according to an embodiment of our new design.

FIG. 2 is a top view thereof.

FIG. 3 is a side view thereof.

FIG. 4 is a front view thereof.

FIG. 5 is an elevated perspective view of the top thereof.

FIG. 6 is an elevated perspective view of the bottom thereof.

FIG. 7 is a rear view thereof.

FIG. 8 is a perspective view of the top thereof.

FIG. 9 is a perspective view of the bottom thereof.

FIG. 10 is a perspective view of the side thereof.

FIG. 11 is a perspective view of the top, front view thereof.

FIG. 12 is a front view thereof.

FIG. 13 is a perspective view of the top, front view thereof.

FIG. 14 is a rear view thereof.

FIG. 15 is the side view thereof.

FIG. 16 is a perspective view of the bottom, rear view thereof.

FIG. 17 is a side view thereof.

FIG. 18 is a bottom view thereof.

FIG. 19 is a top view thereof.

FIG. 20 is a perspective view of the top, front view thereof.

FIG. 21 is a perspective view of the bottom, front view thereof.

FIG. 22 is a perspective view of the bottom, rear view thereof.

FIG. 23 is a top view thereof.

FIG. 24 is a side view thereof.

FIG. 25 is a bottom view thereof.

FIG. 26 is a front view thereof.

FIG. 27 is an exploded rear view thereof.

FIG. 28 is a rear view thereof.

FIG. 29 is an exploded side view thereof.

FIG. 30 is a top view thereof.

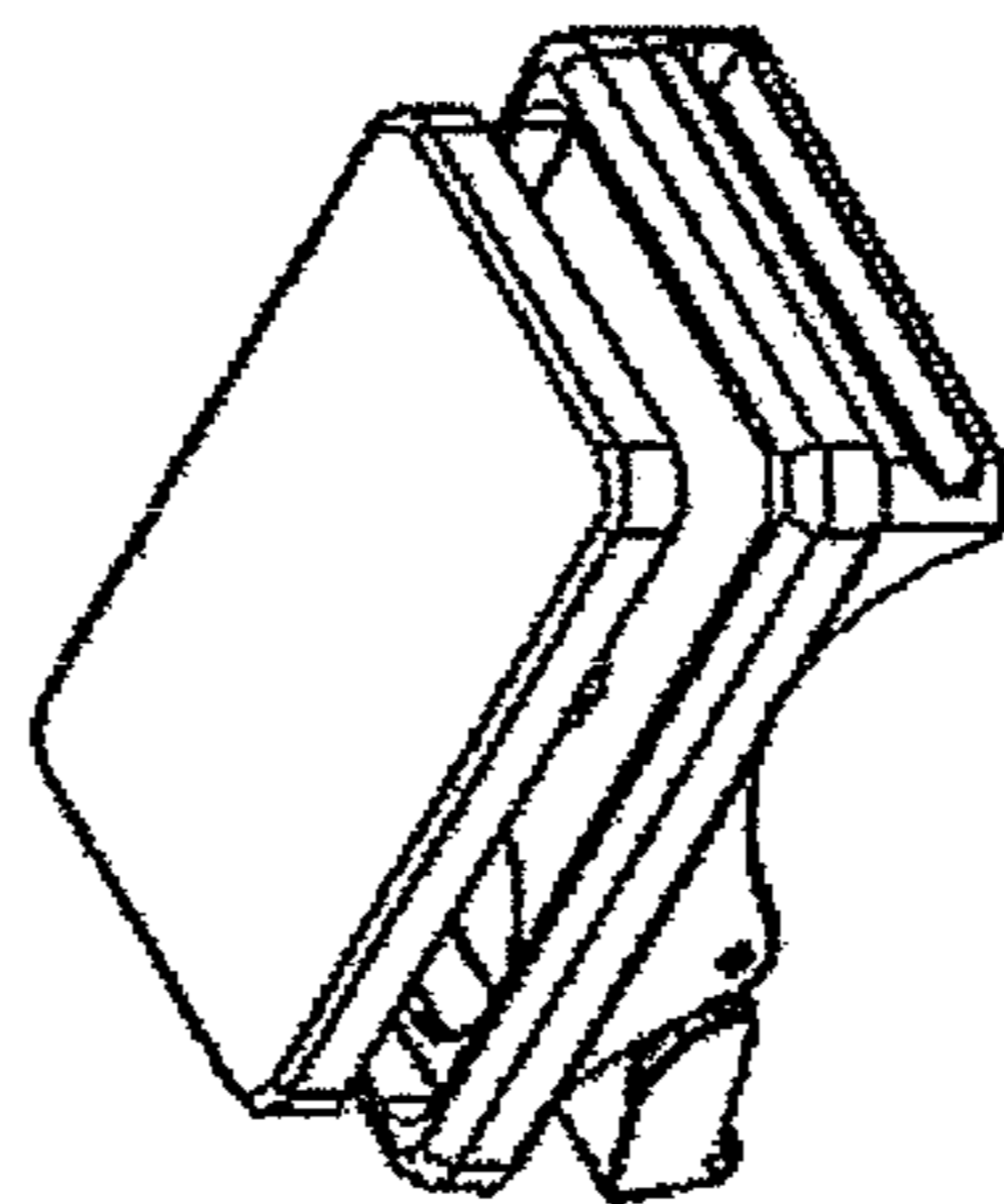
FIG. 31 is an exploded perspective top view, front side thereof.

FIG. 32 is an exploded perspective side view thereof; and,

FIG. 33 is an exploded rear view thereof.

The portions of the drawings appearing in broken lines are for illustrative purposes only and form no part of the claimed design.

**1 Claim, 4 Drawing Sheets**



# US D632,215 S

Page 2

---

## U.S. PATENT DOCUMENTS

D117,747 S	11/1939	Freysinger .....	D11/215	D414,401 S	9/1999	Aganian .....	D8/383
2,531,244 A	11/1950	Andrus .....	24/504	D595,184 S *	6/2009	Yoshiguchi .....	D11/216
D177,056 S	3/1956	Lowrie .....	D11/1	D596,986 S	7/2009	Gastaldi .....	D11/216
D332,585 S	1/1993	Olson .....	D11/201	7,657,978 B2	2/2010	Lin .....	24/614

\* cited by examiner

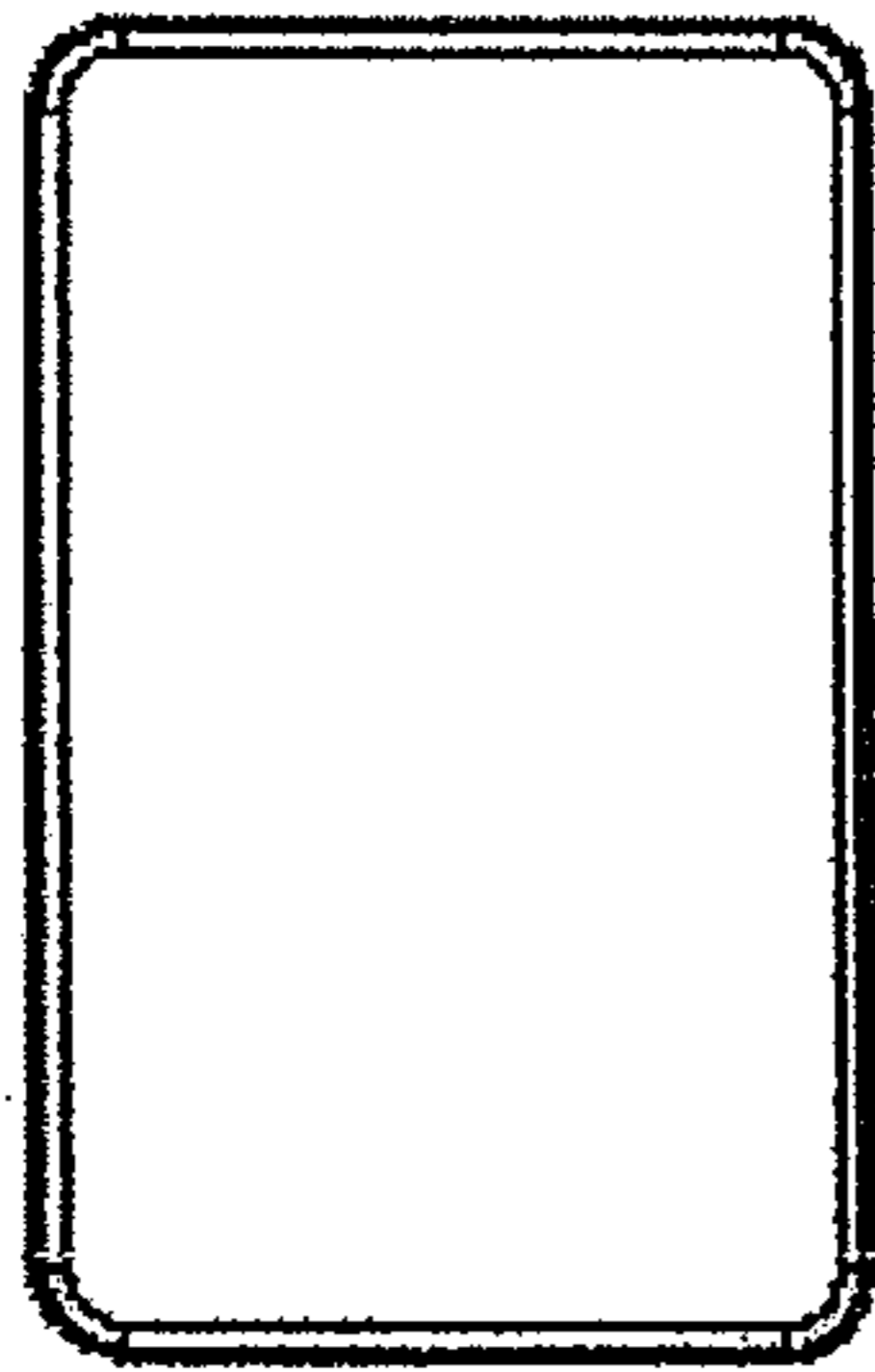


Fig. 1

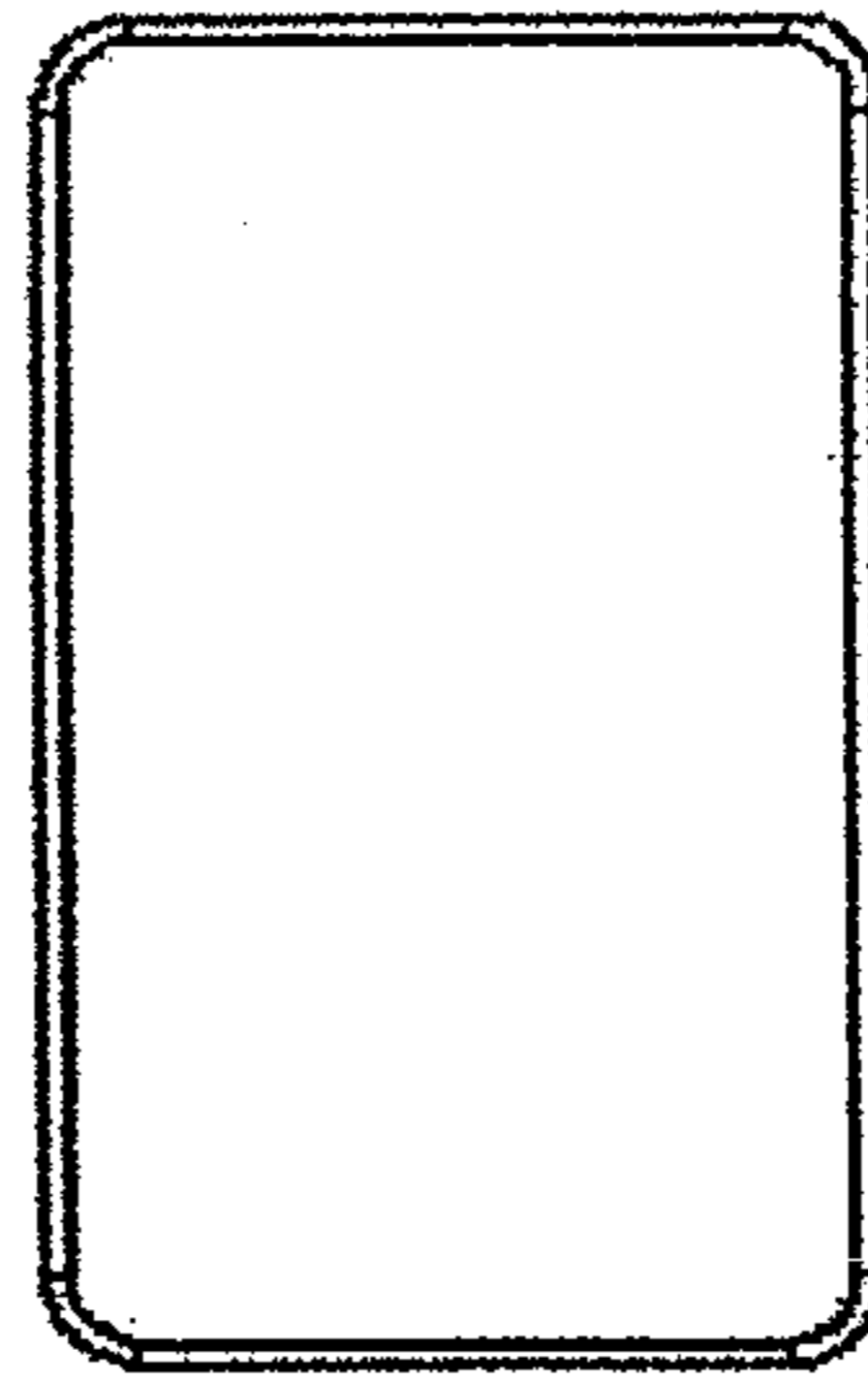


Fig. 2



Fig. 3

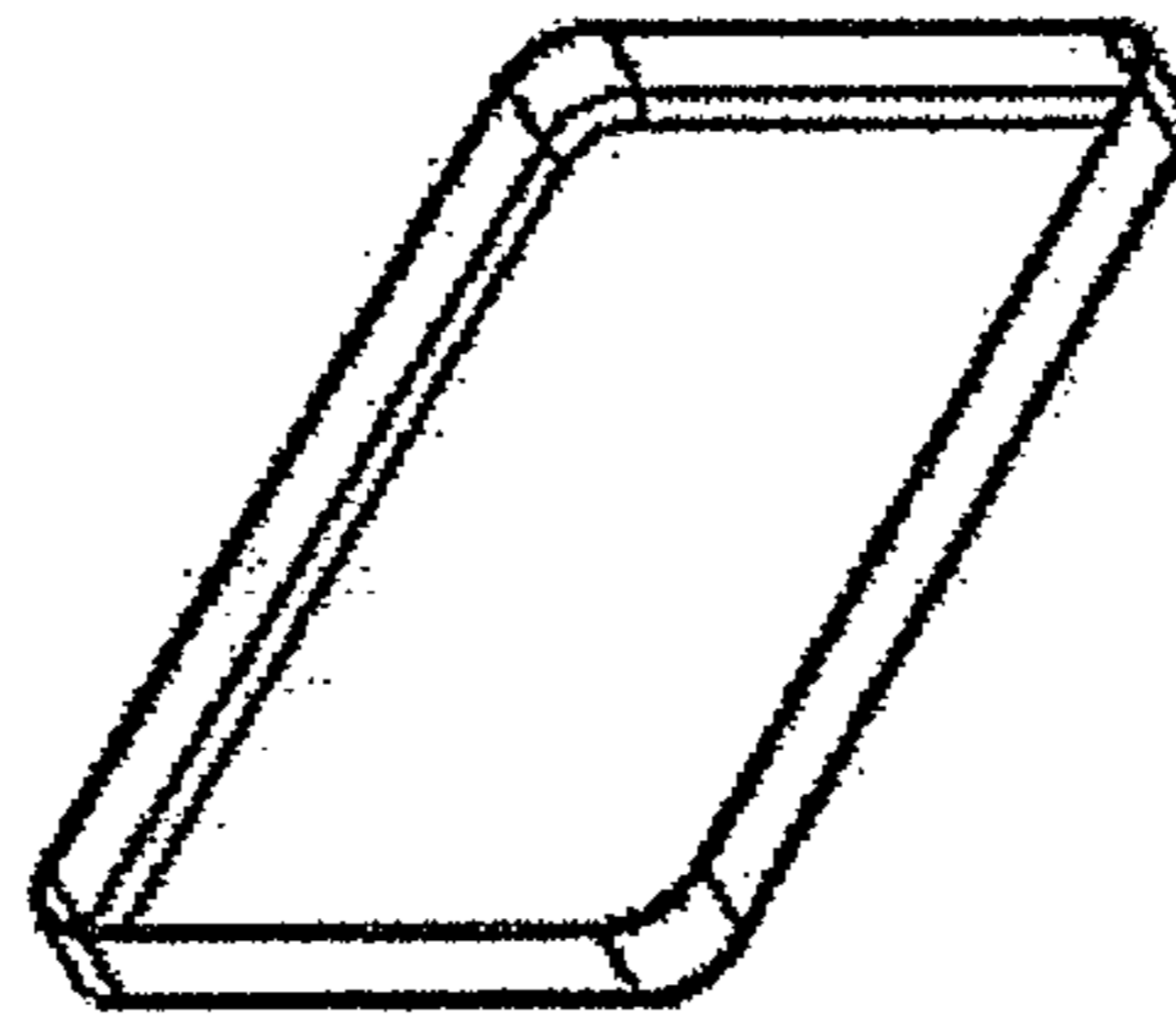


Fig. 5



Fig. 4

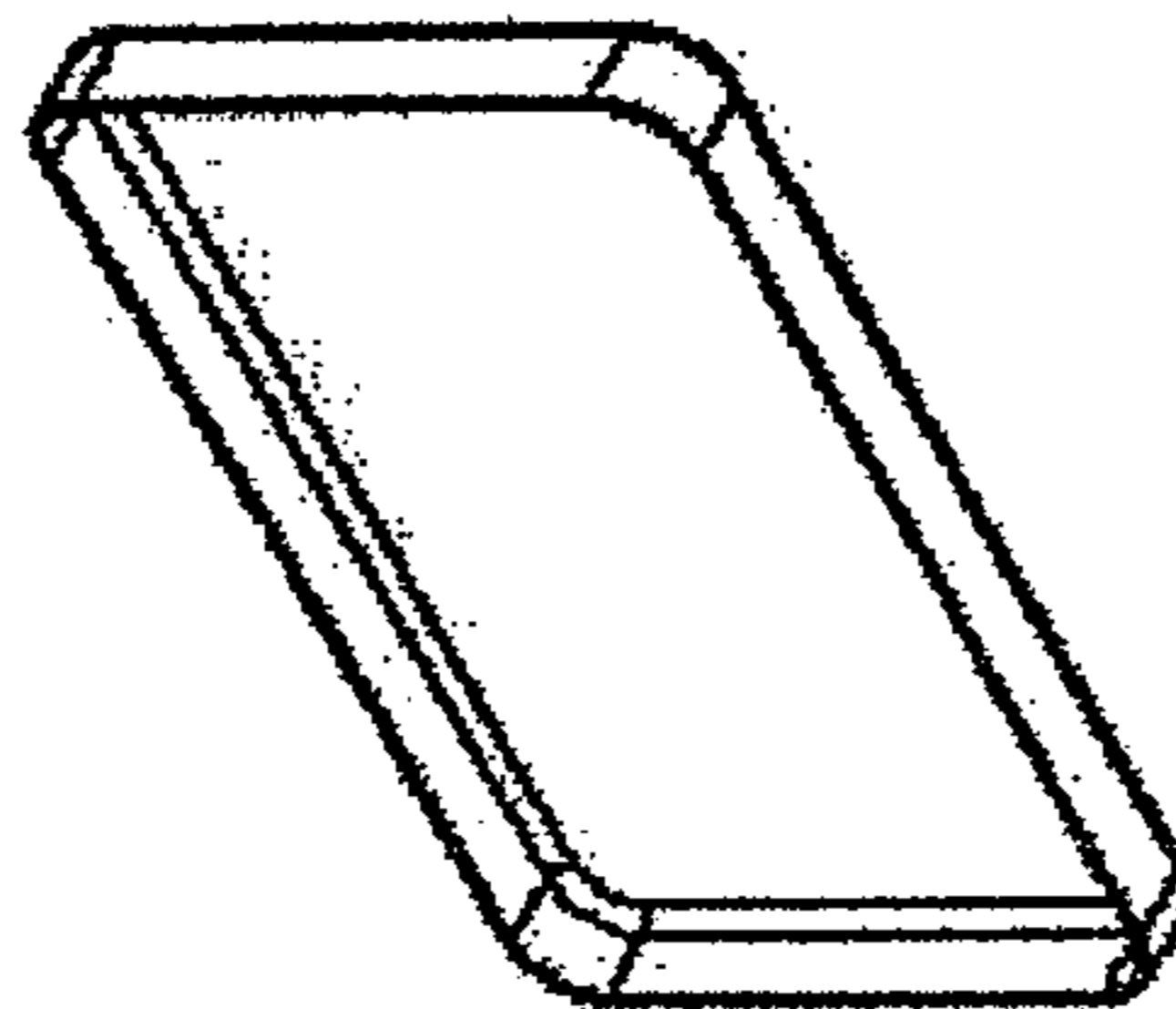


Fig. 6



Fig. 7

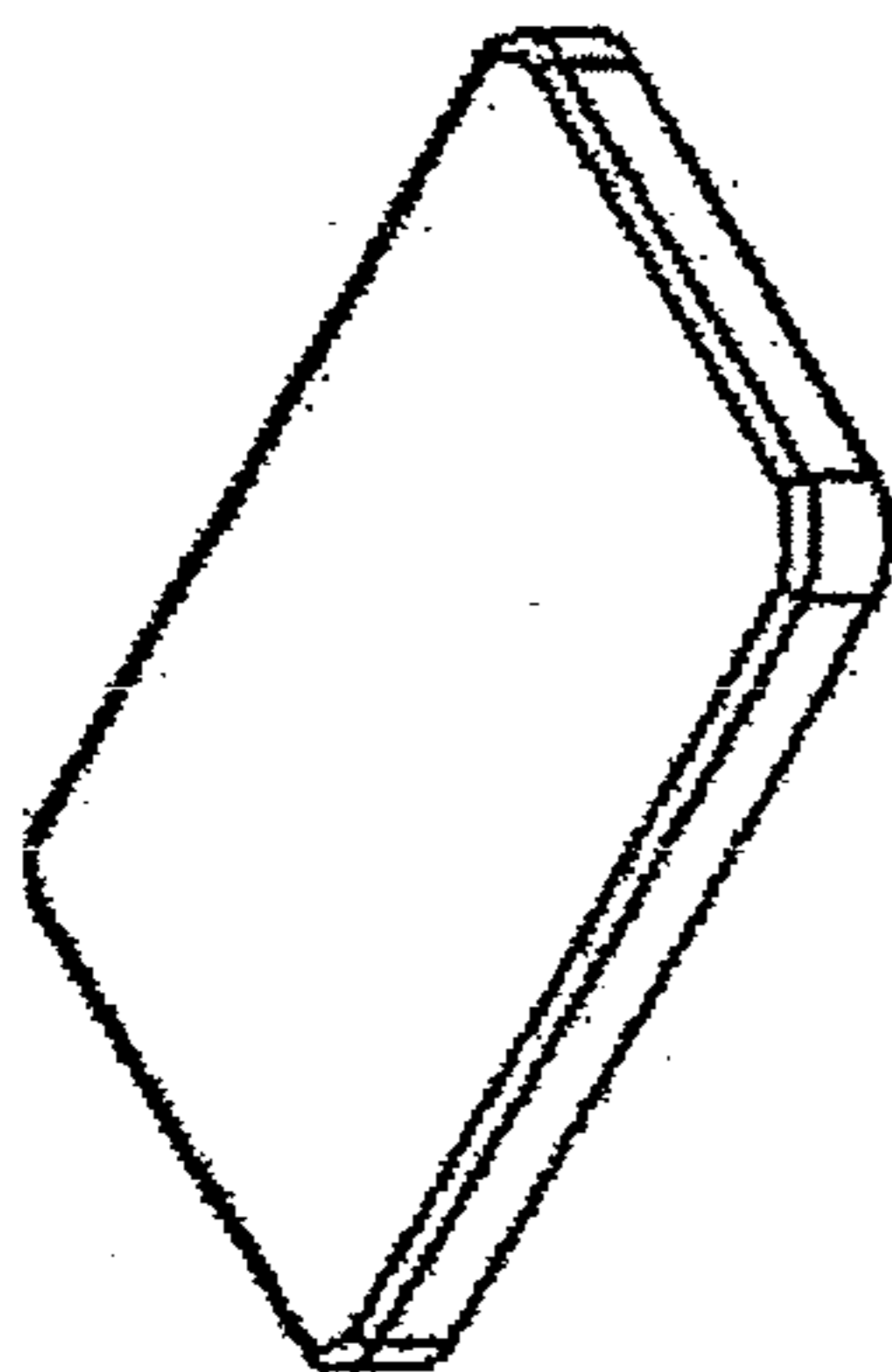


Fig. 8

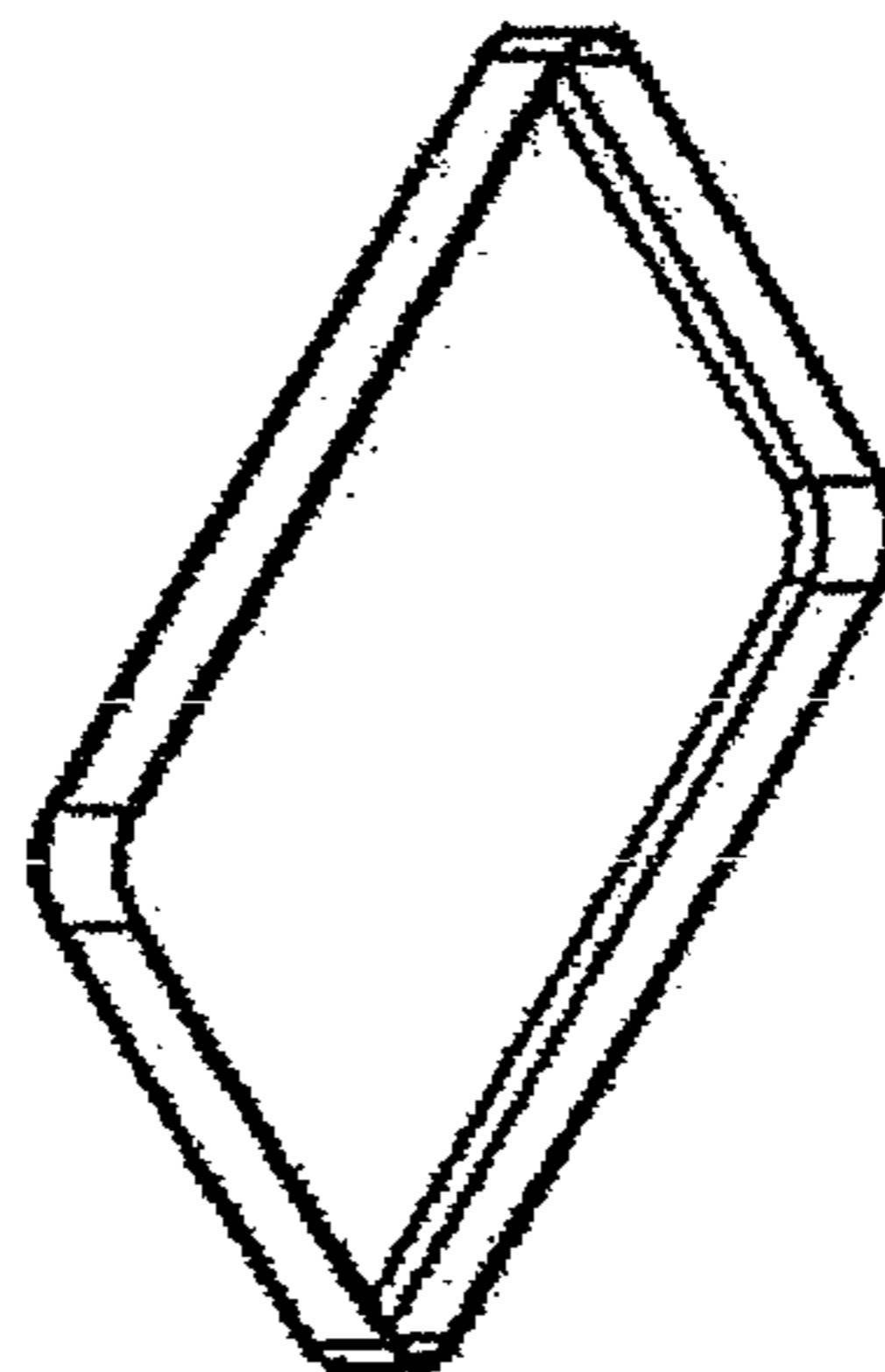


Fig. 9



Fig. 10

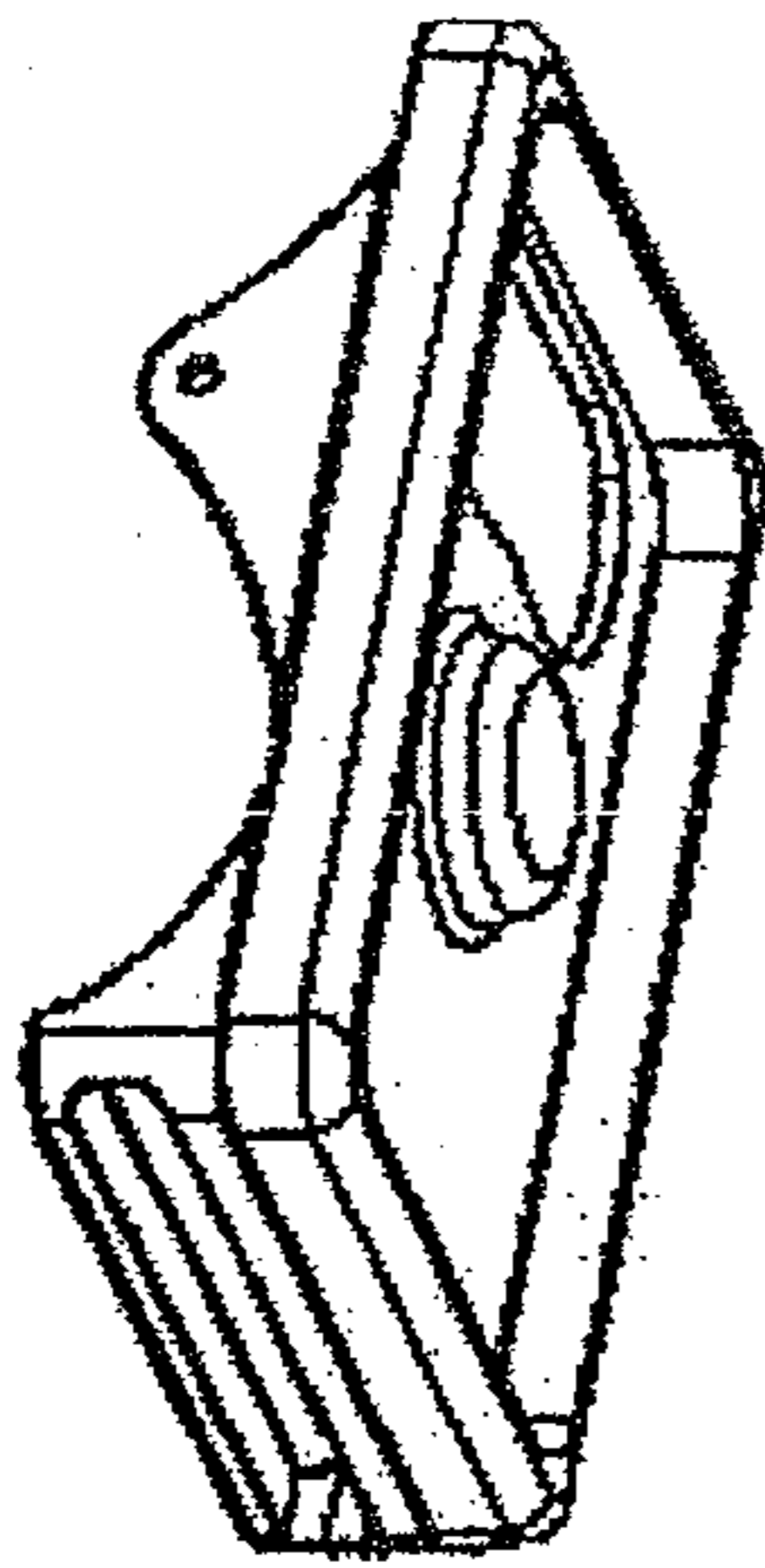


Fig. 11

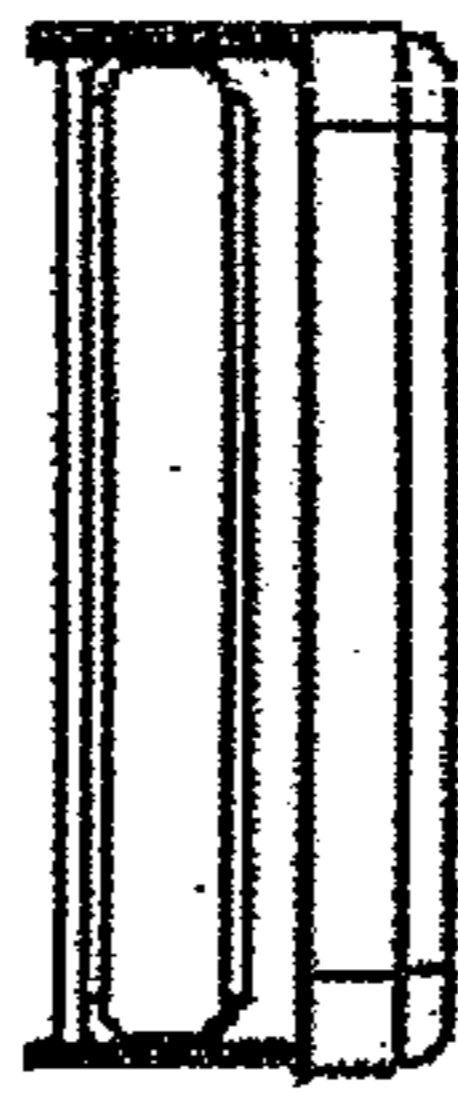


Fig. 12

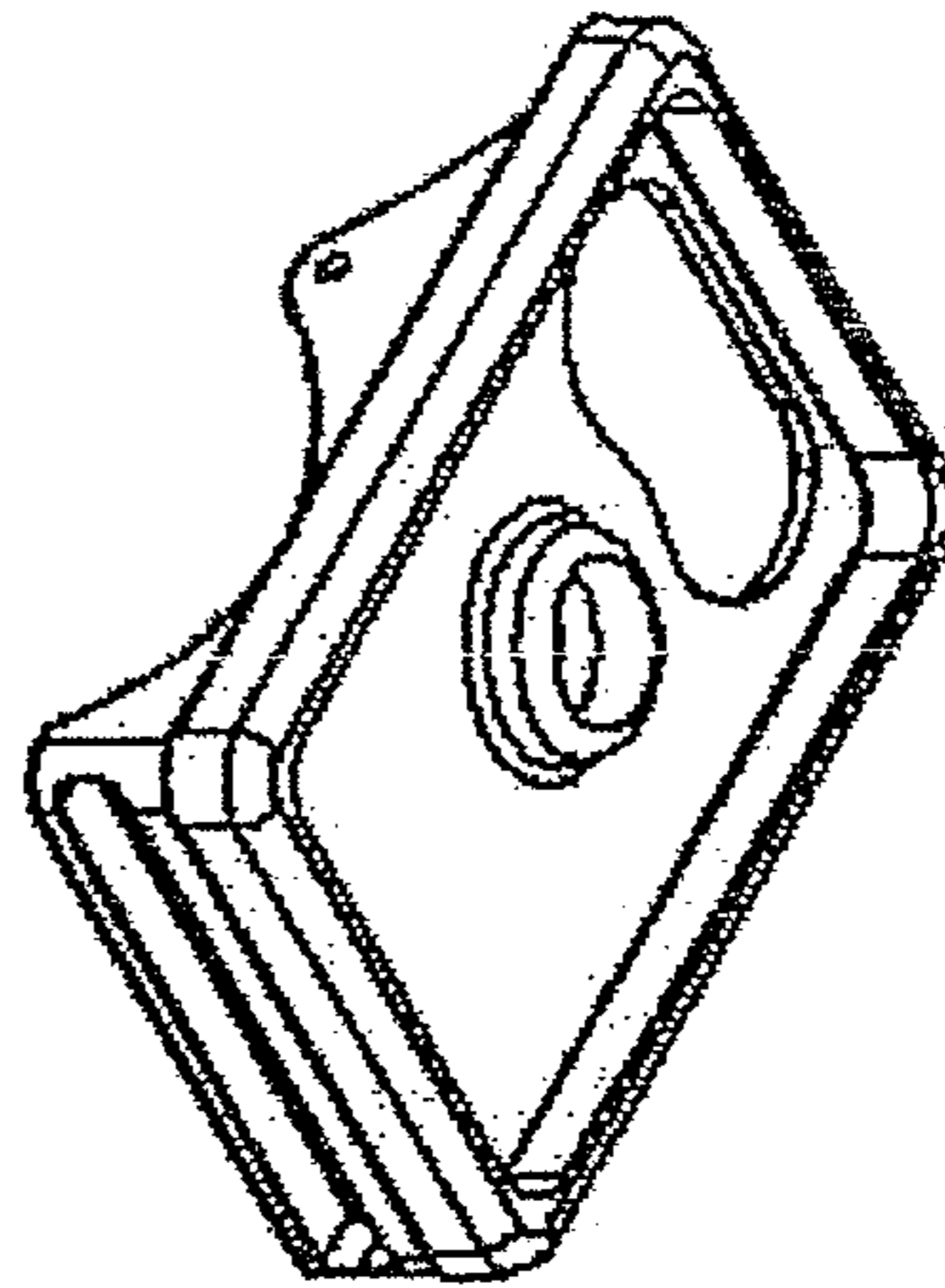


Fig. 13

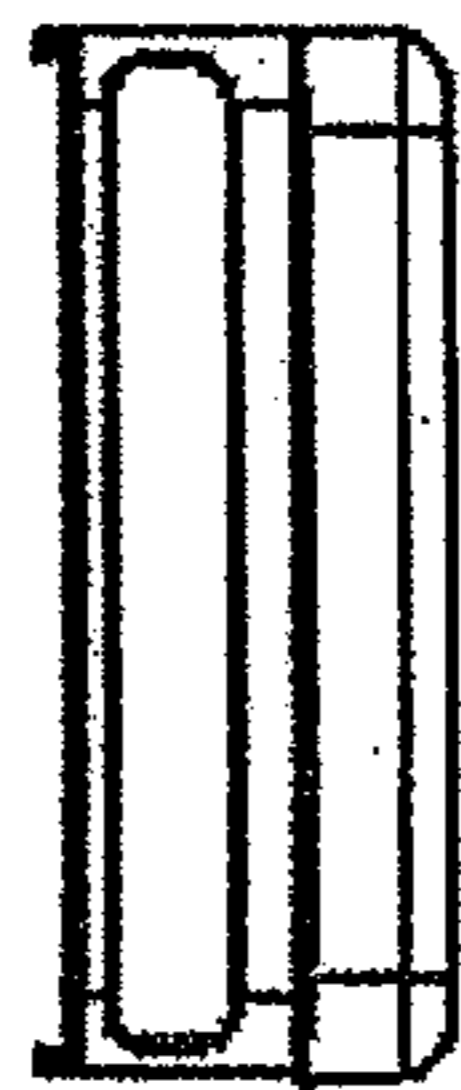


Fig. 14



Fig. 15

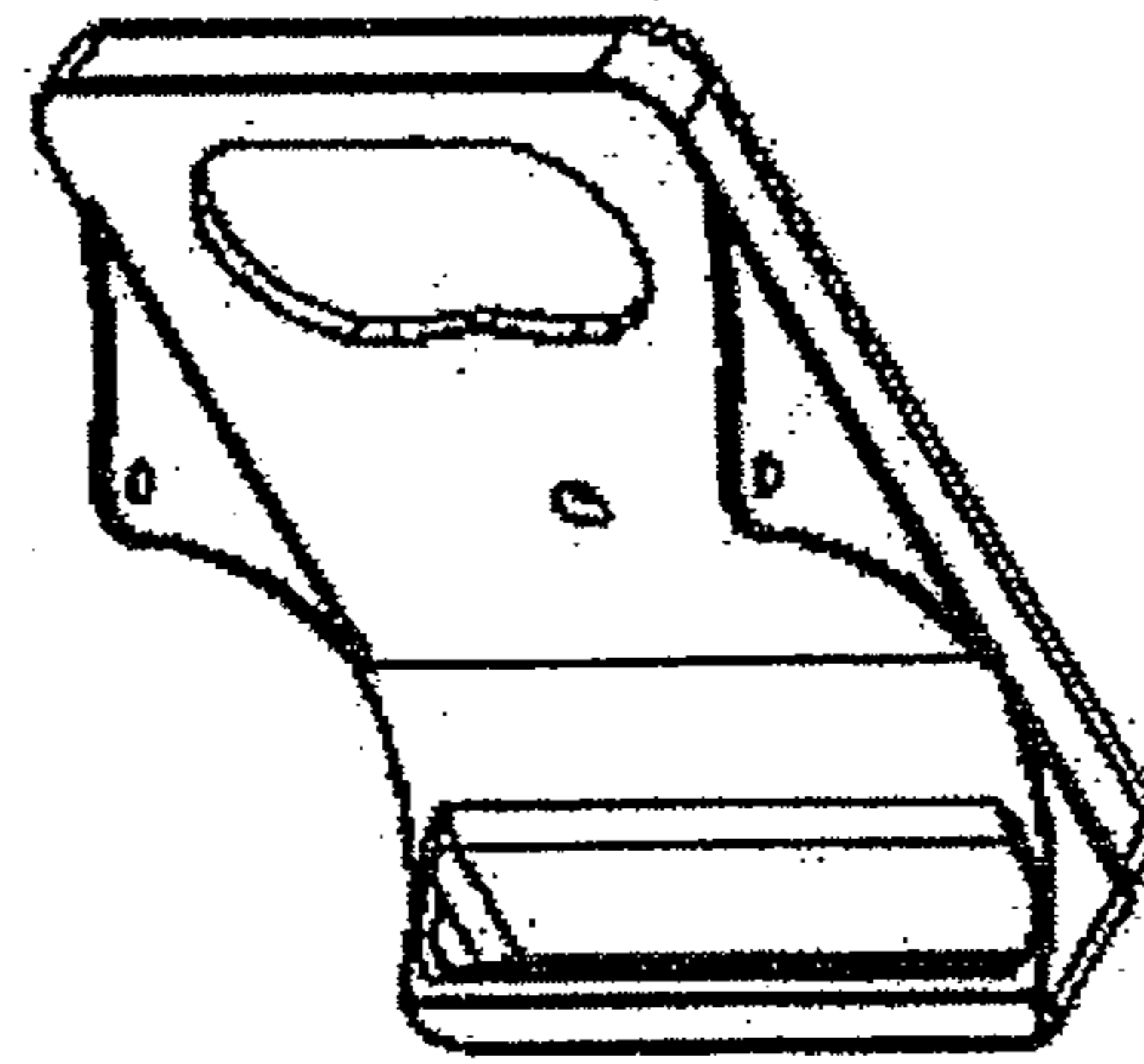


Fig. 16

Fig. 17

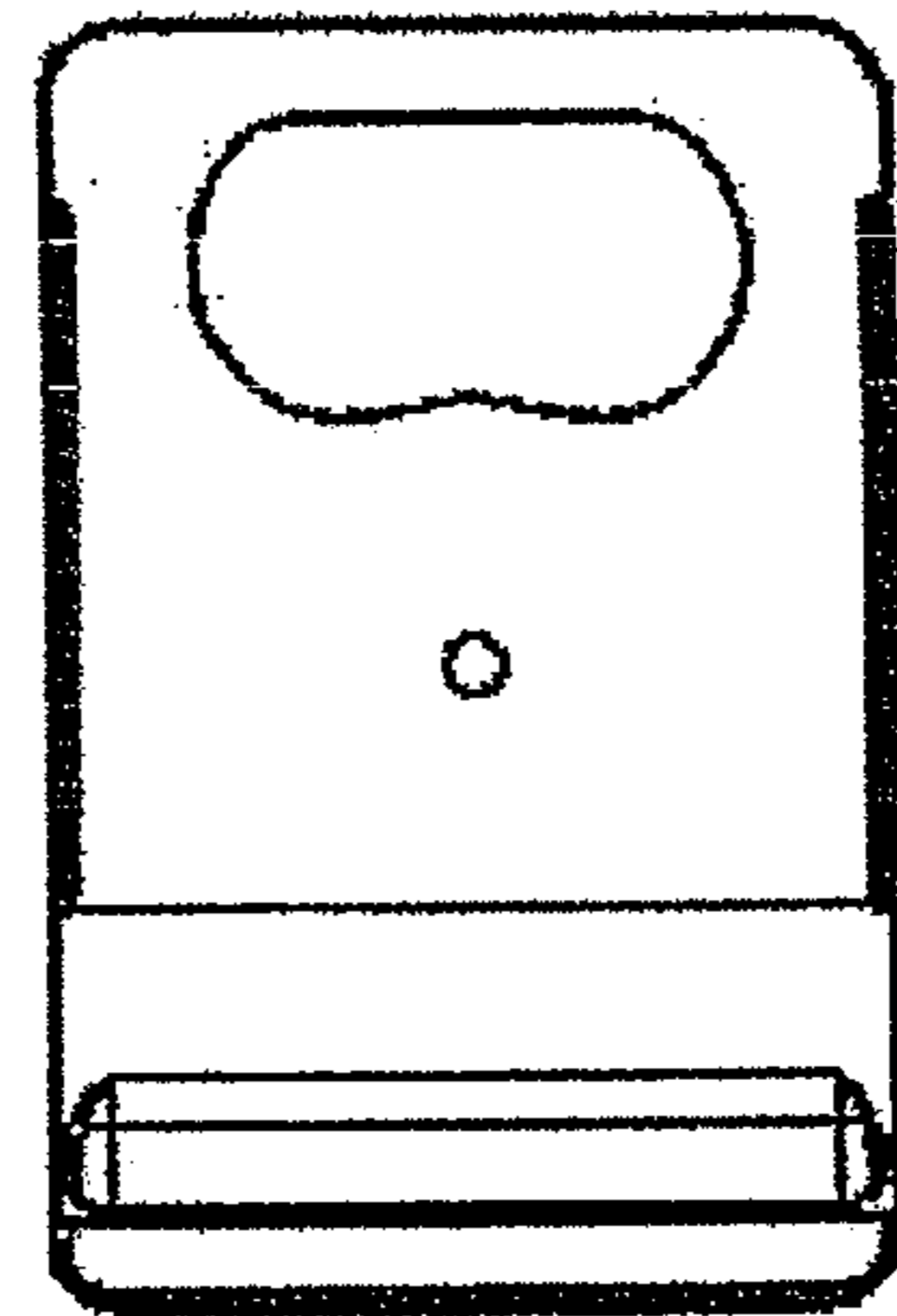


Fig. 18

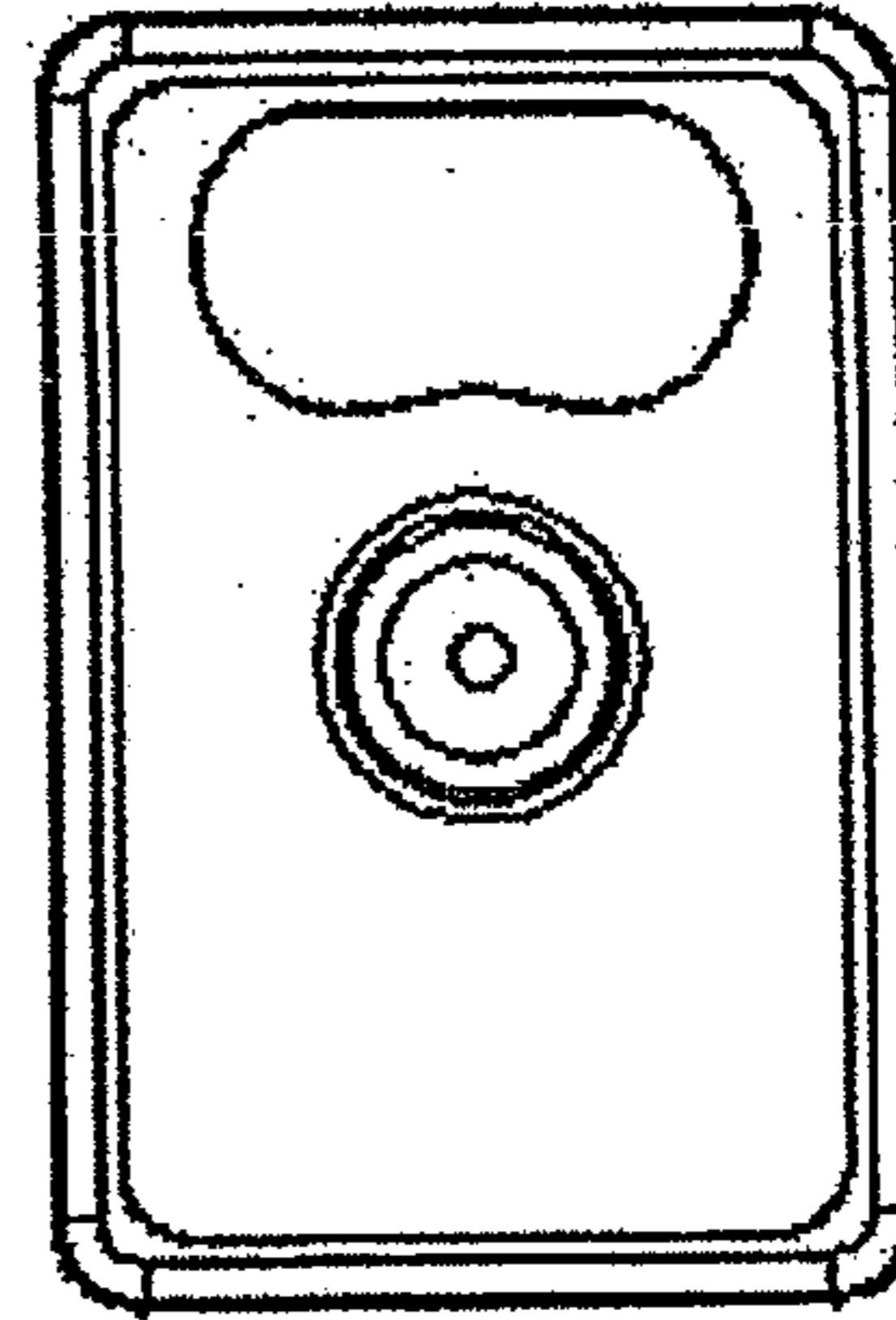


Fig. 19

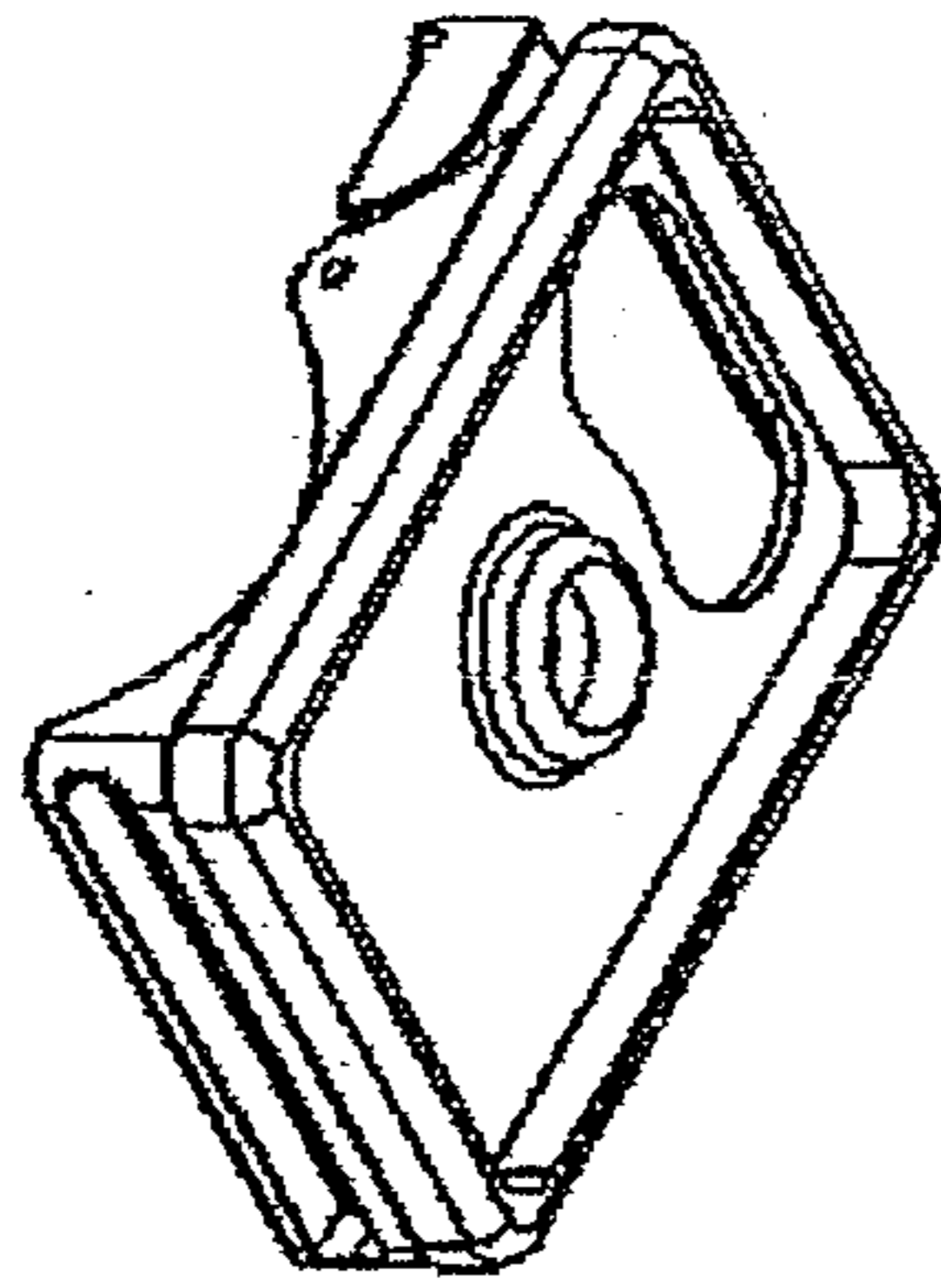


Fig. 20

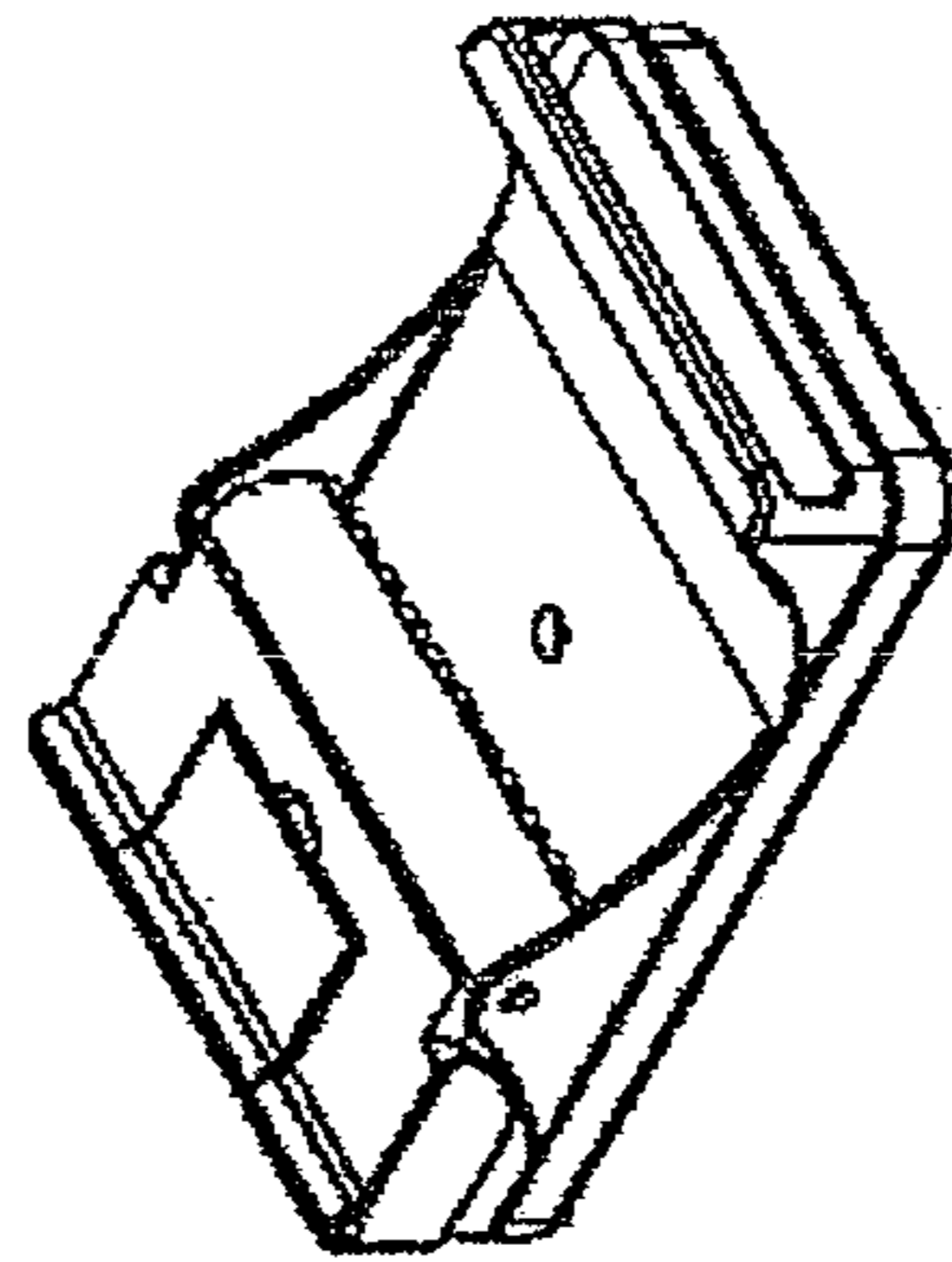


Fig. 21

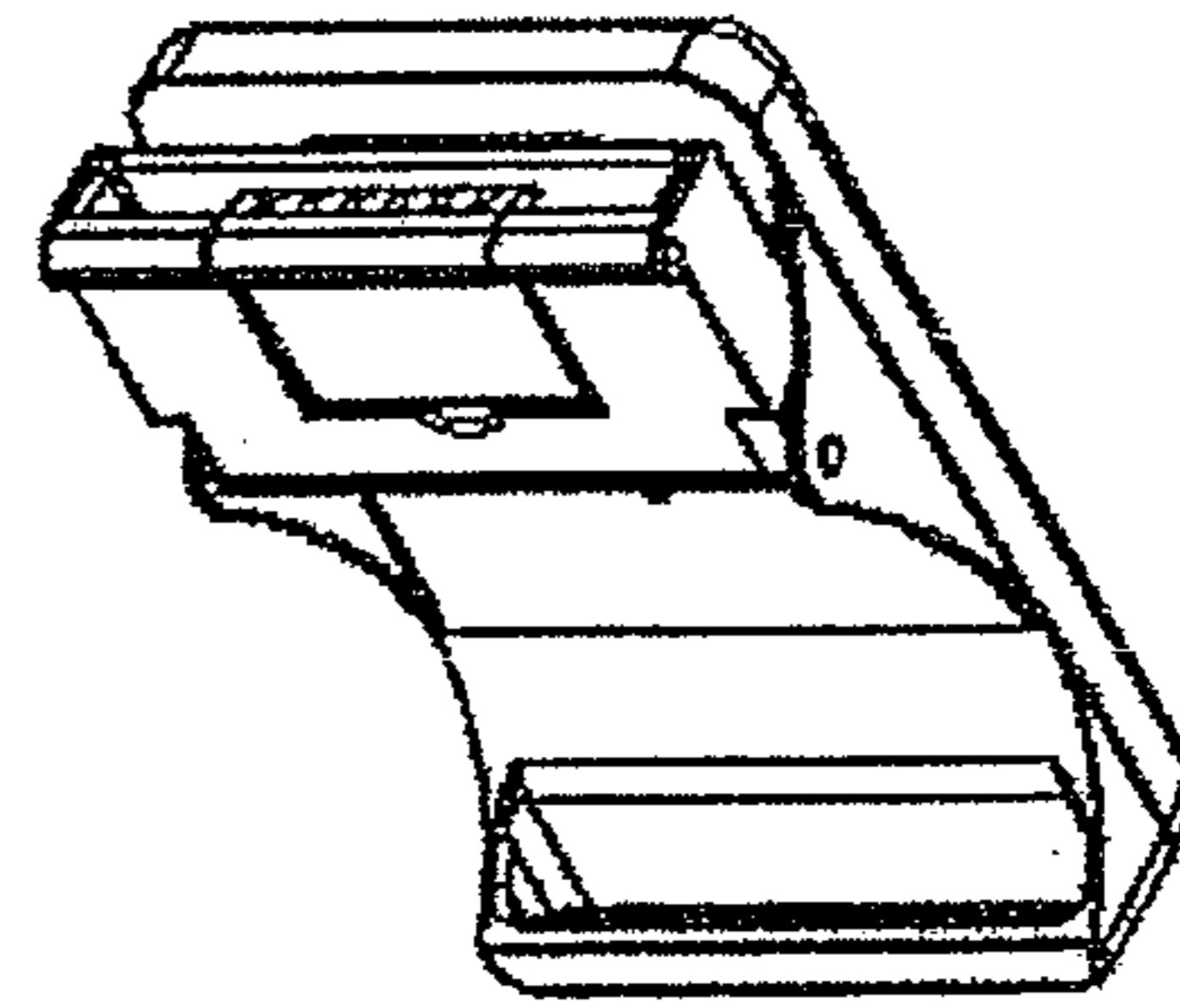


Fig. 22

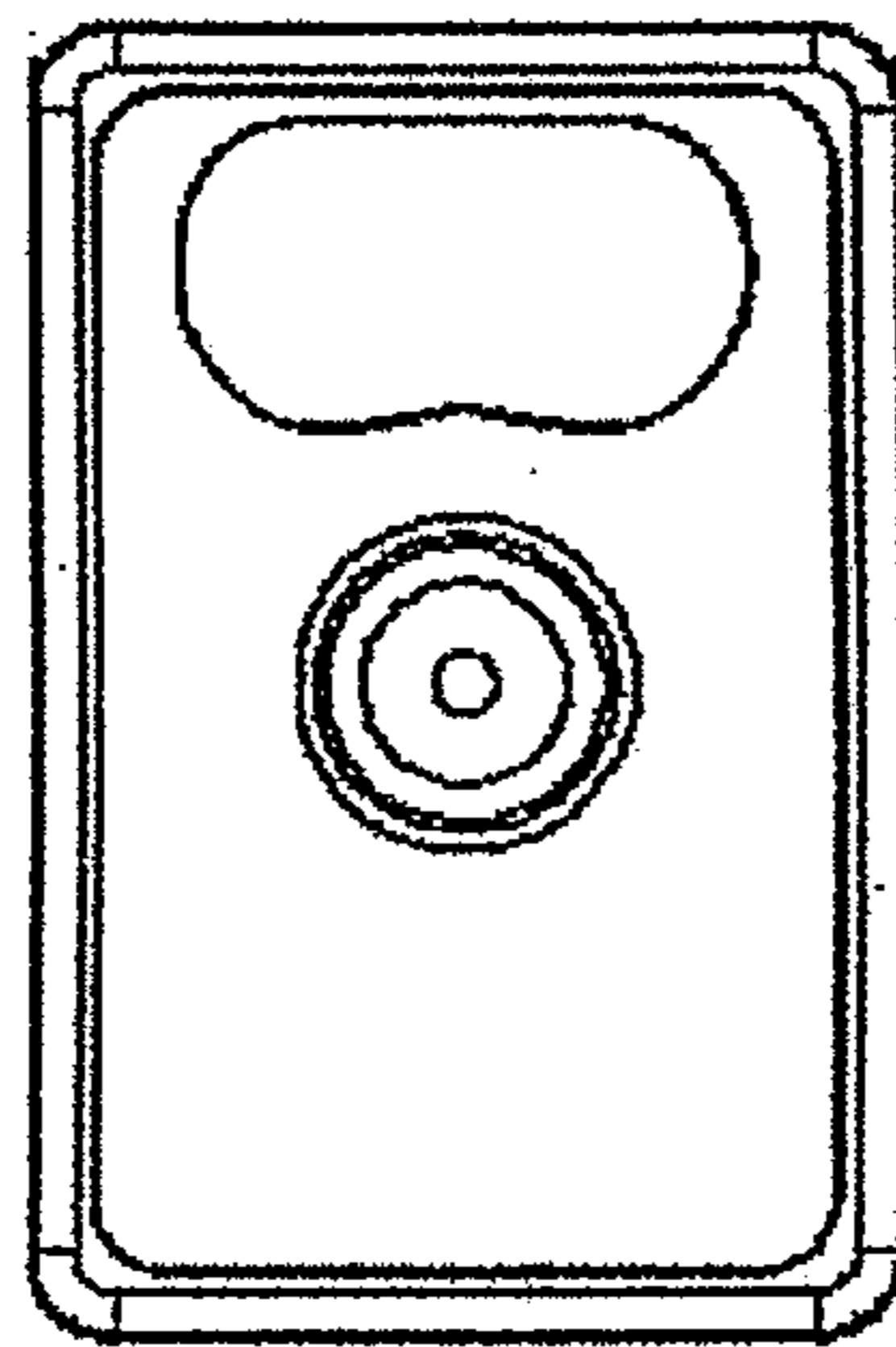


Fig. 23

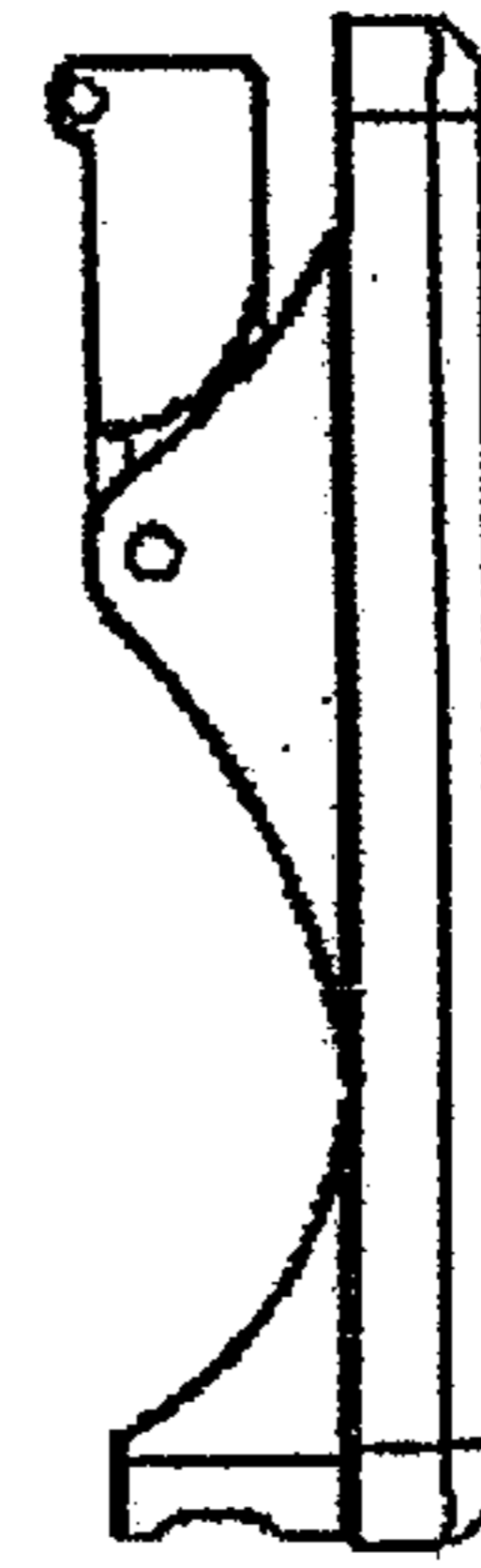


Fig. 24

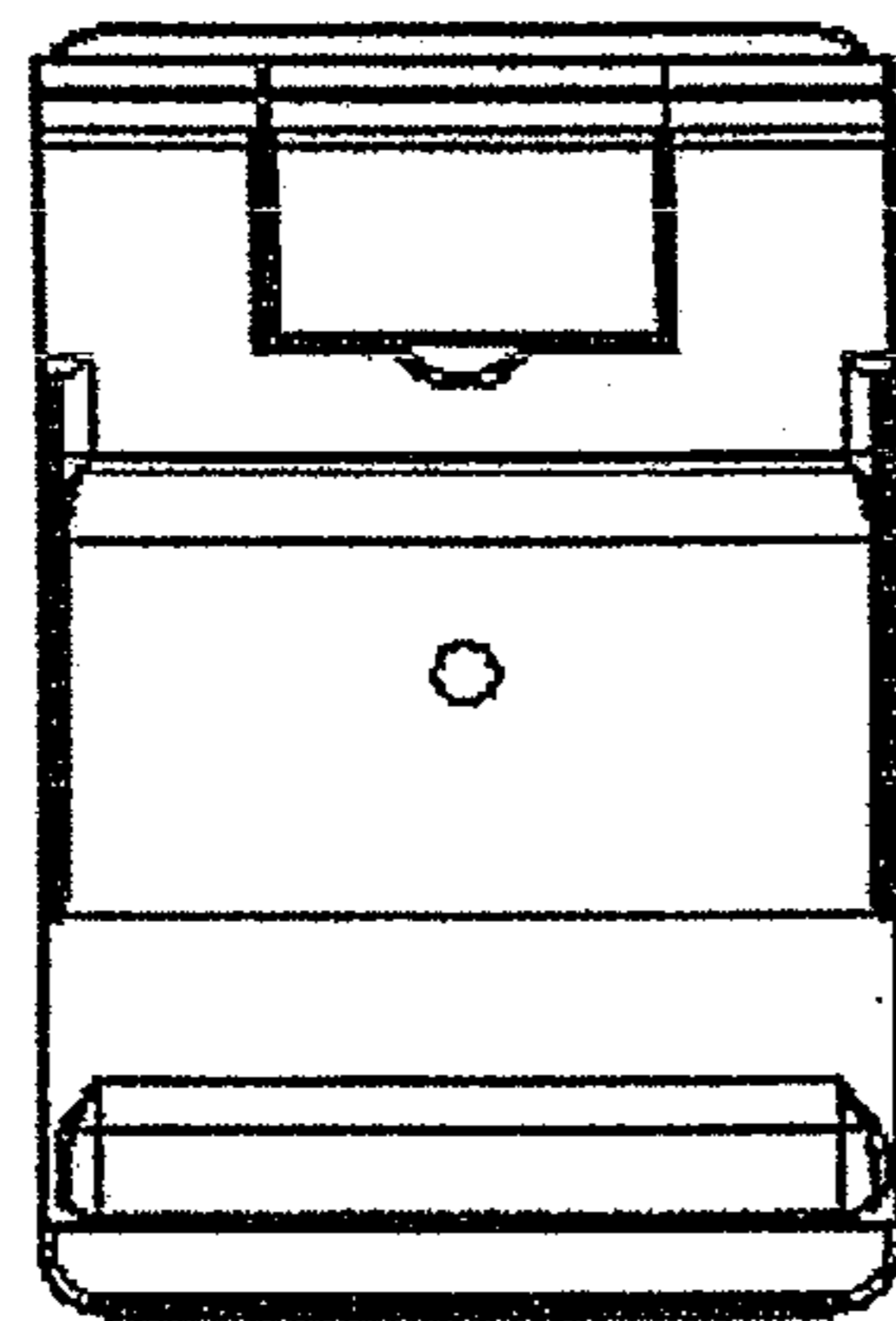


Fig. 25

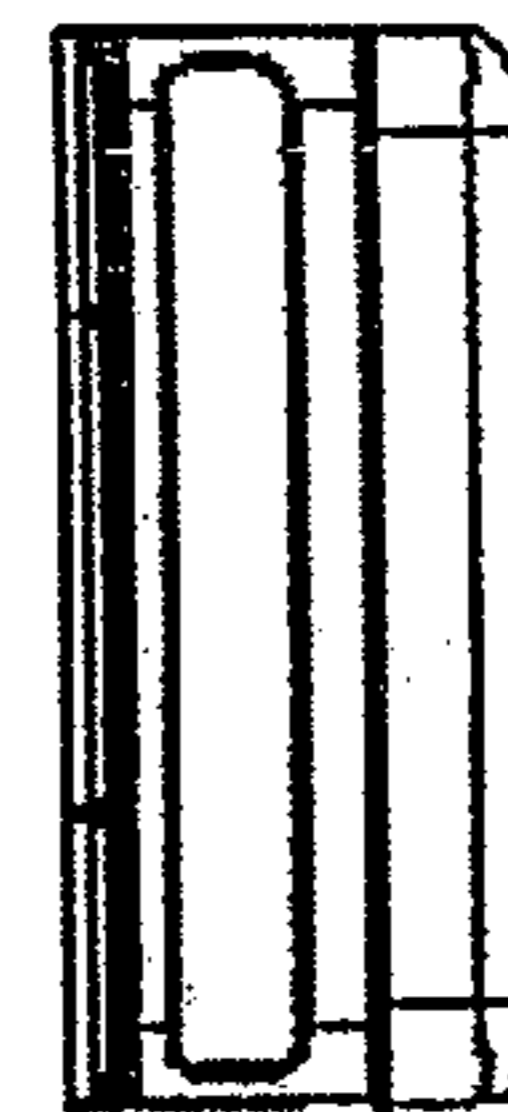


Fig. 26

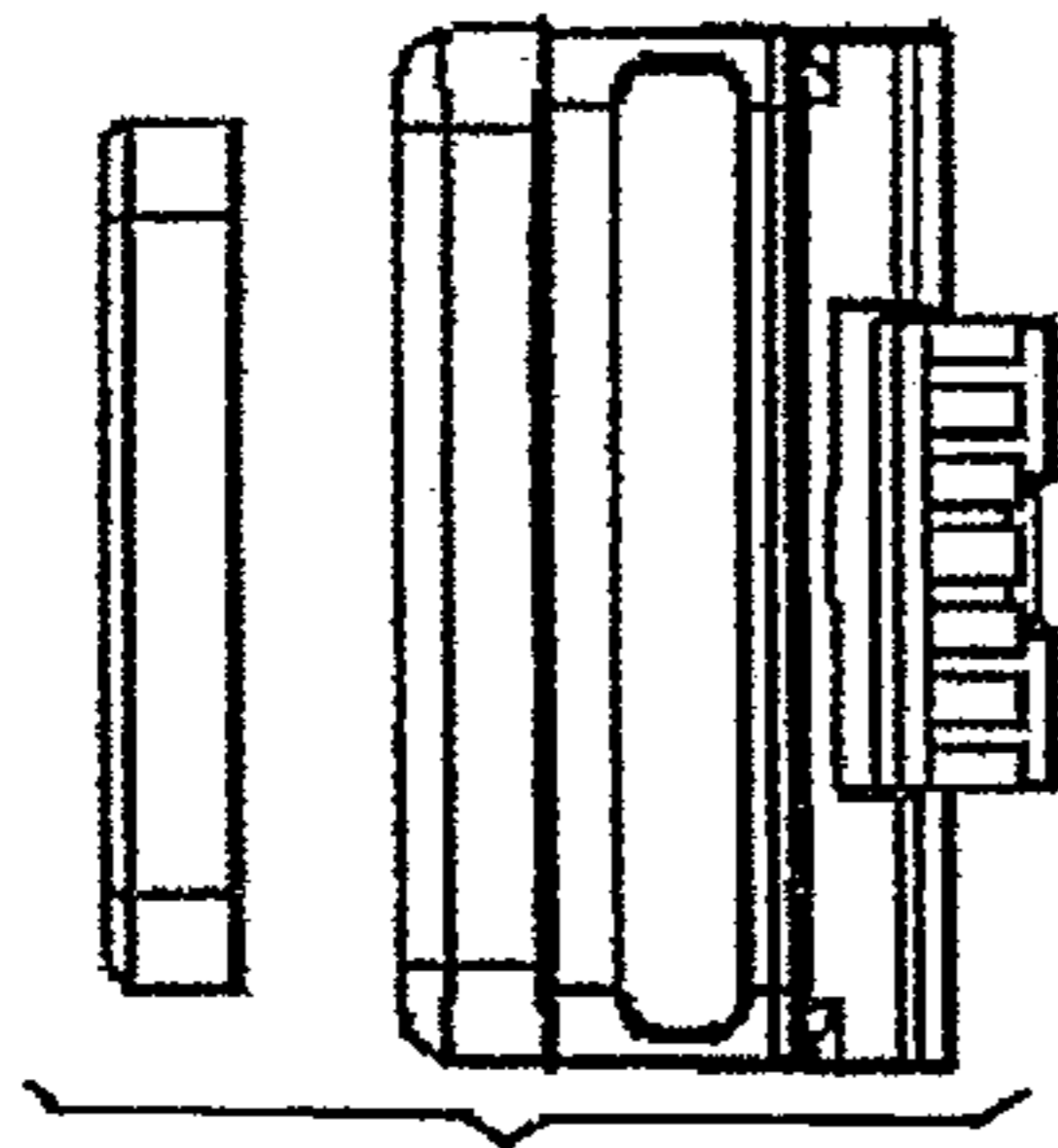


Fig. 27

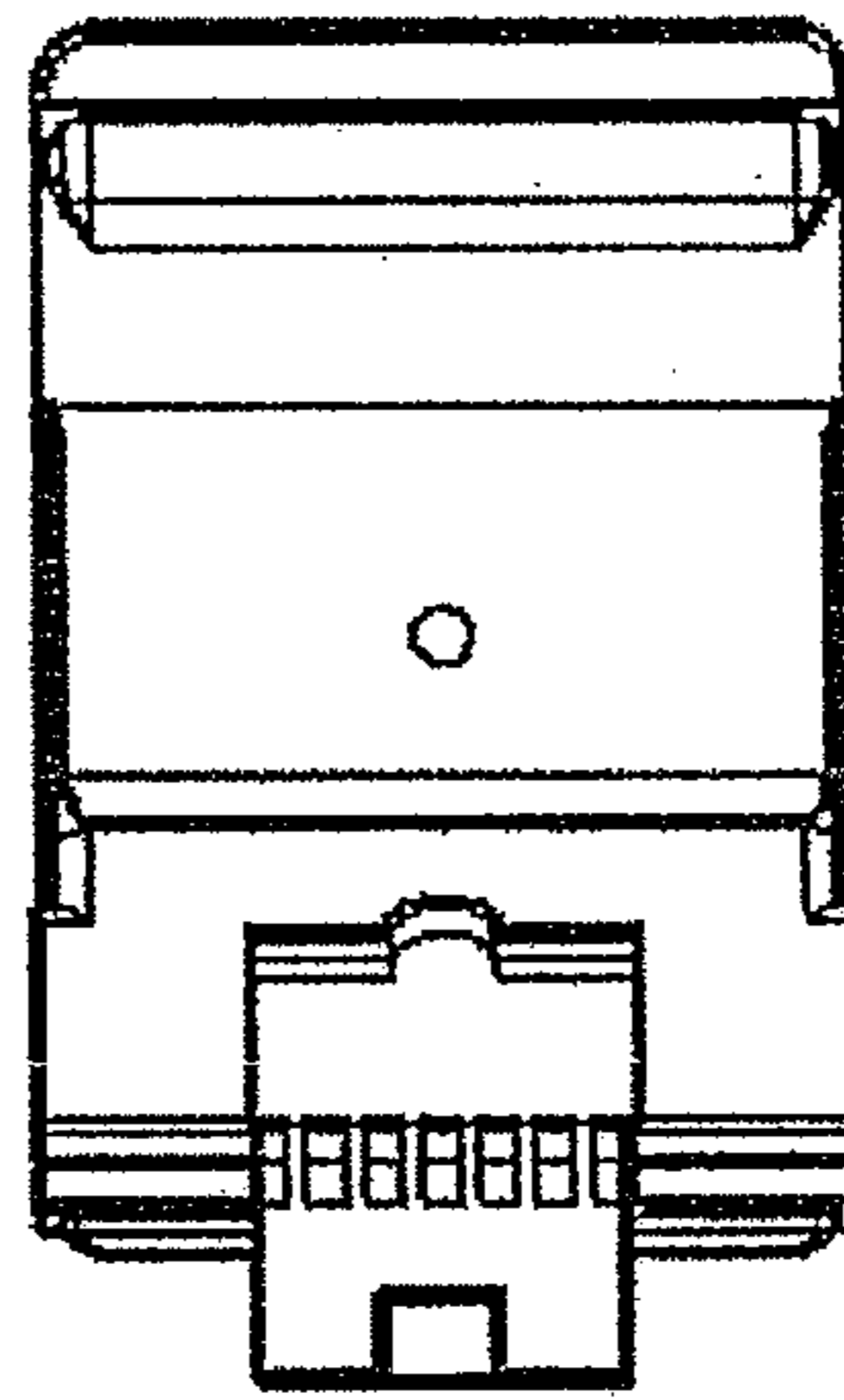


Fig. 28

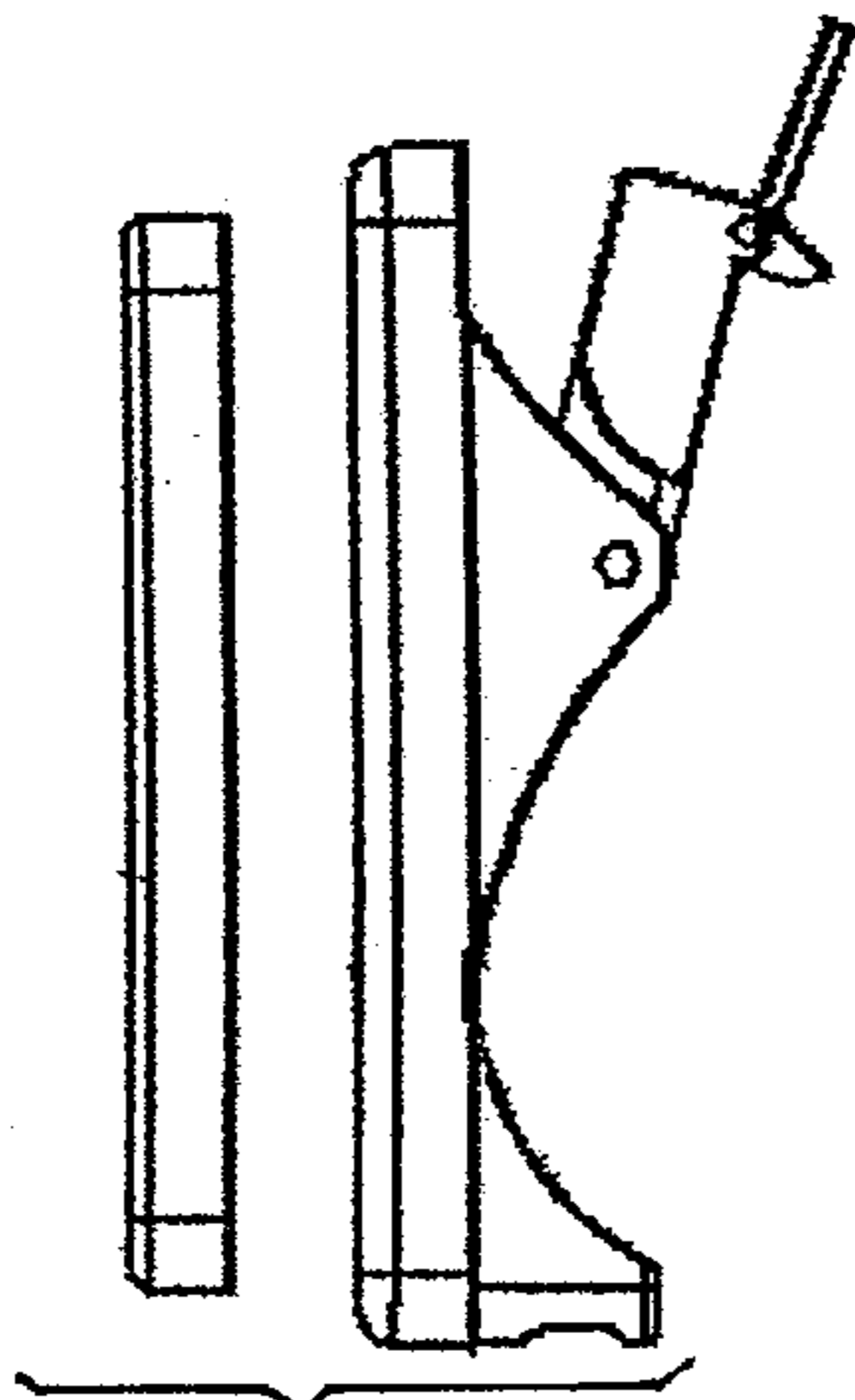


Fig. 29

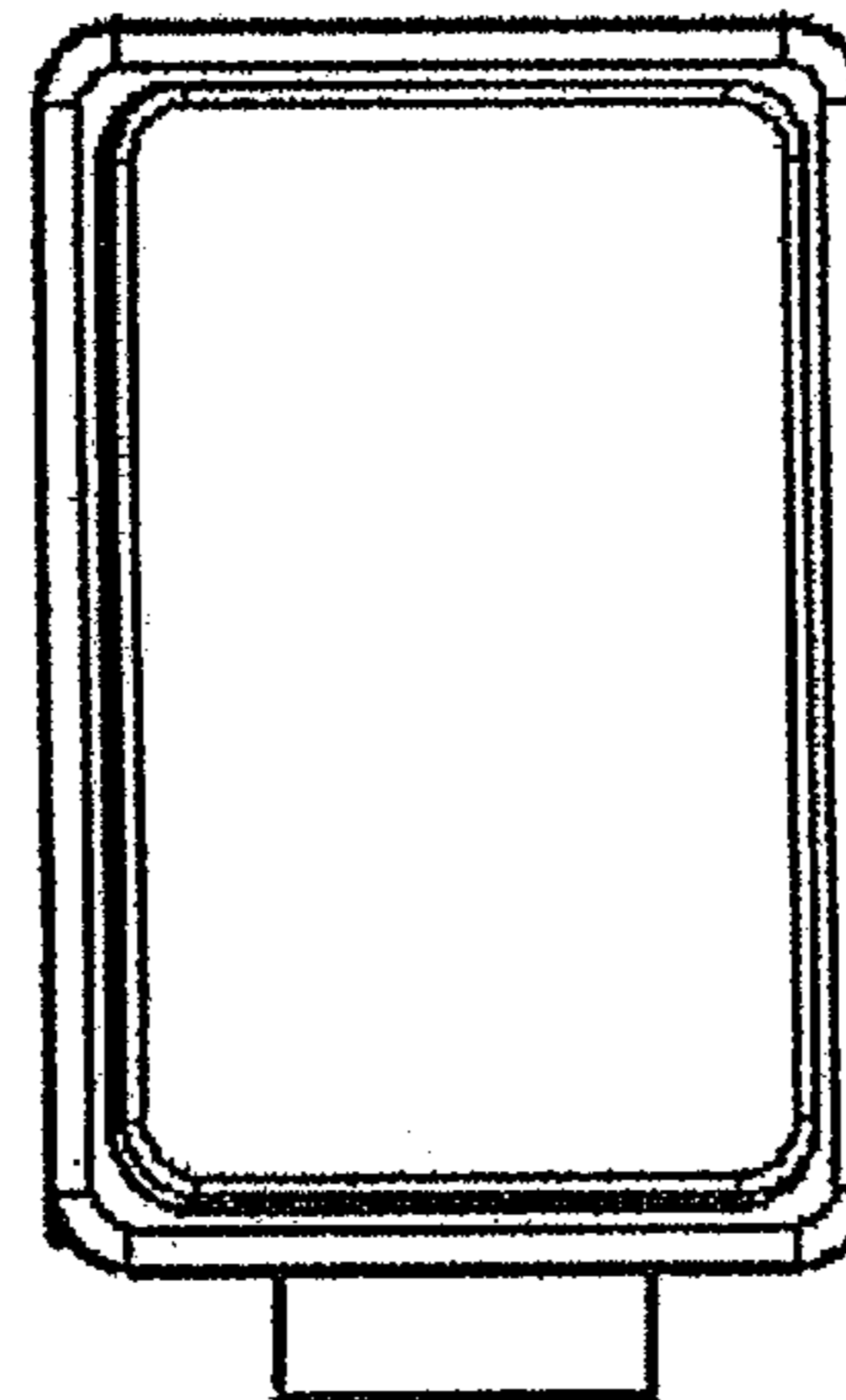


Fig. 30

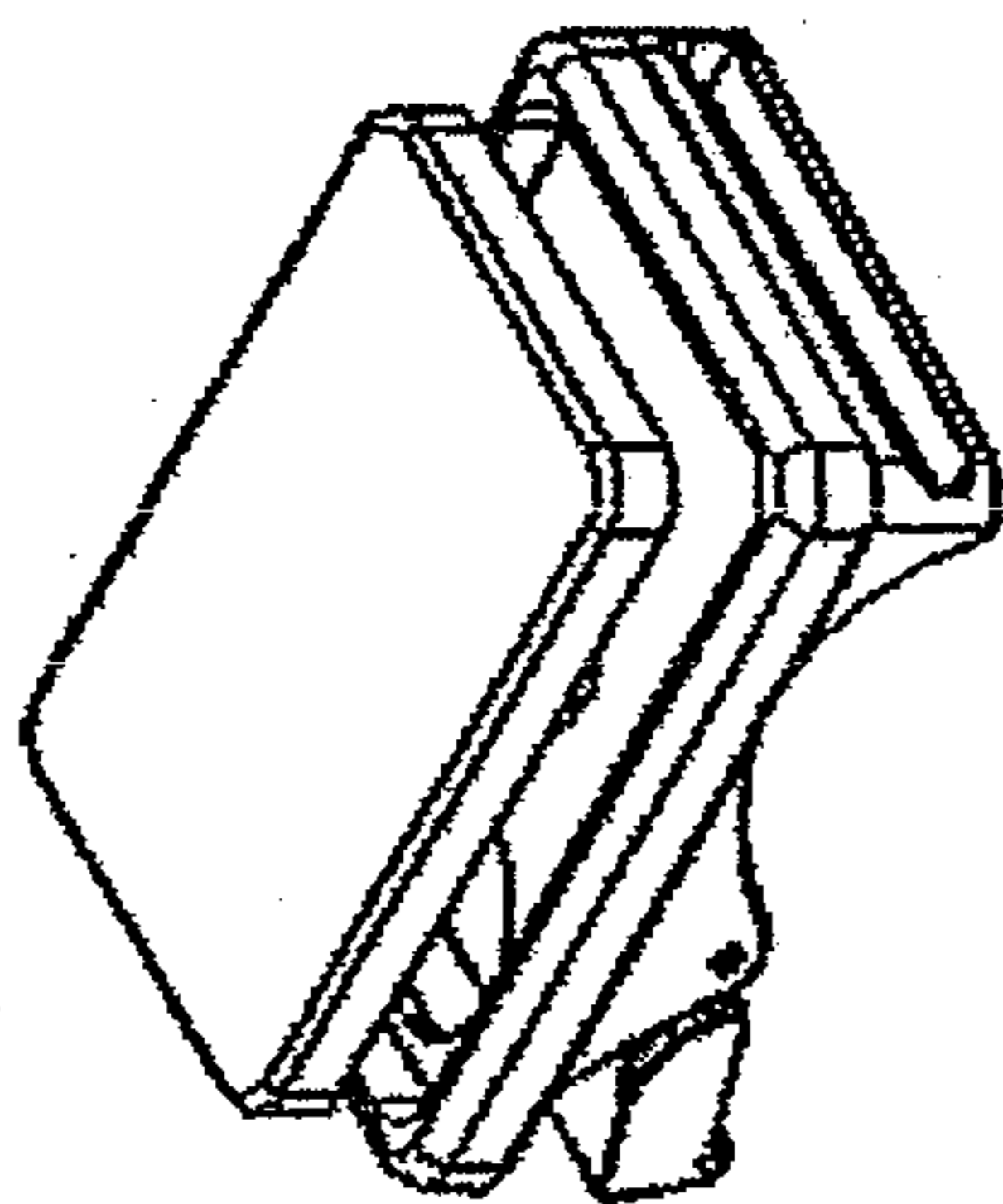


Fig. 31

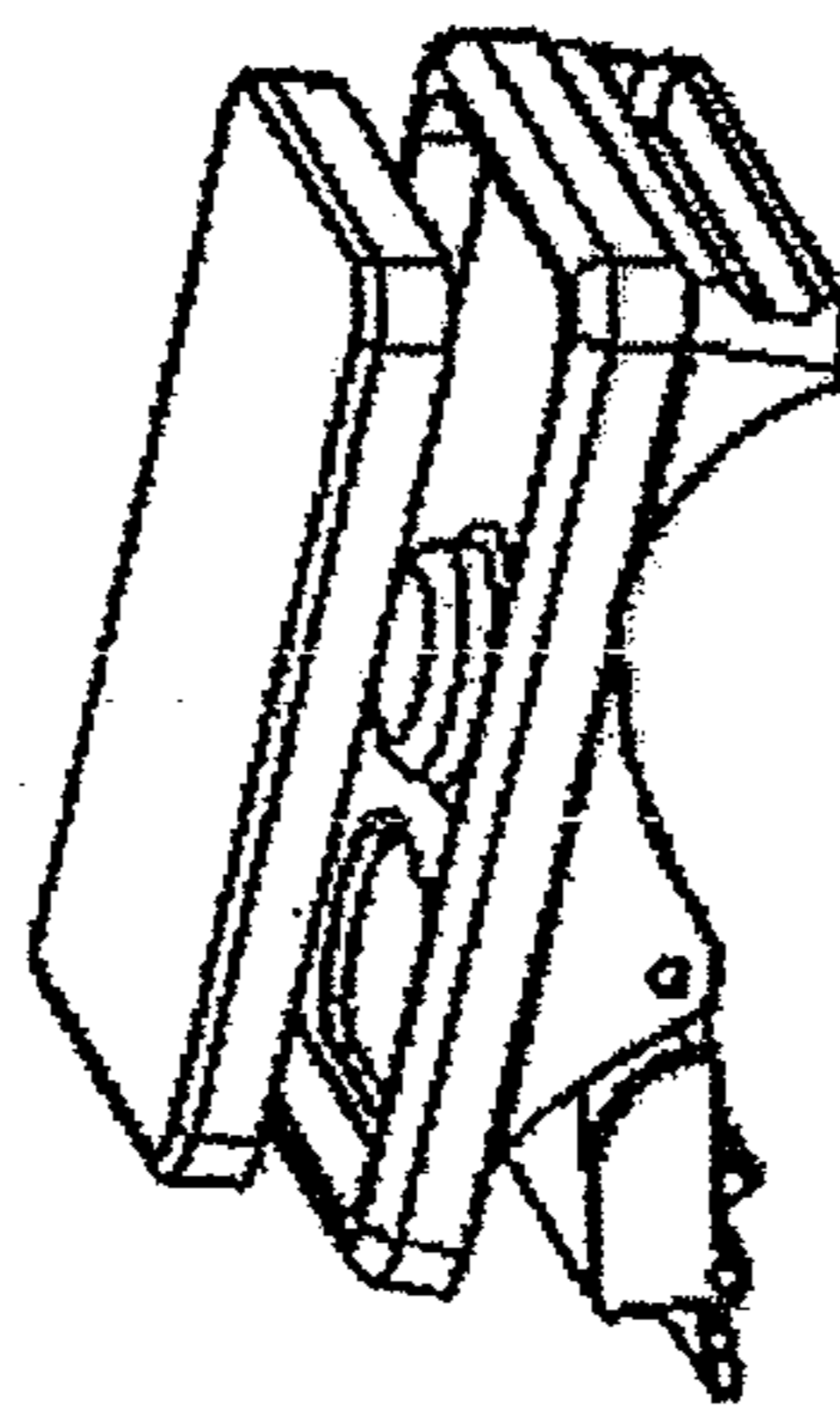


Fig. 32

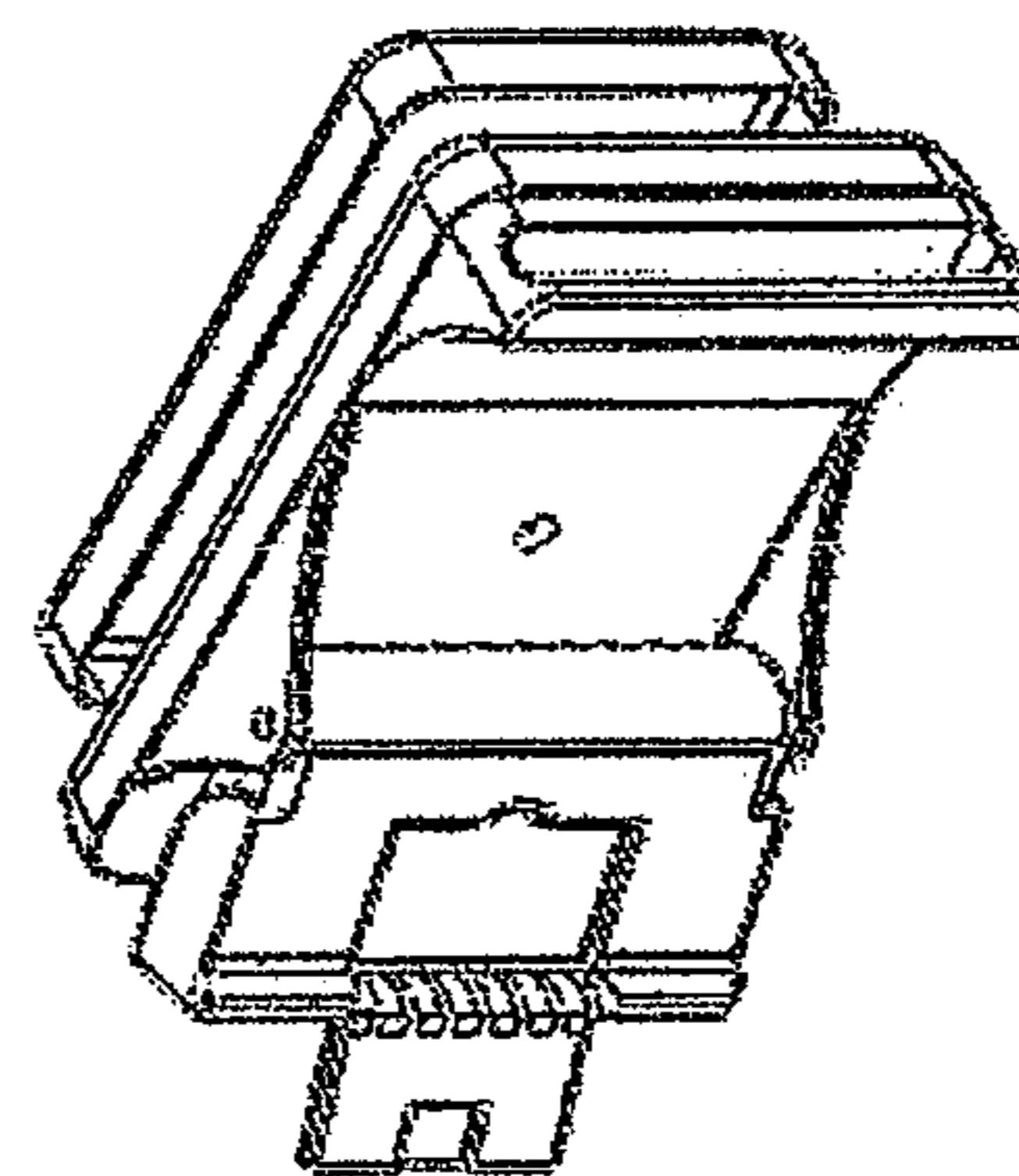


Fig. 33