



US00D632214S

(12) **United States Design Patent**
Buscart

(10) **Patent No.:** **US D632,214 S**

(45) **Date of Patent:** **** Feb. 8, 2011**

(54) **BUCKLE**

(75) Inventor: **Jordi Badrenas Buscart**, Barcelona
(ES)

(73) Assignee: **Illinois Tool Works Inc.**, Glenview, IL
(US)

(**) Term: **14 Years**

(21) Appl. No.: **29/351,139**

(22) Filed: **Dec. 1, 2009**

(51) **LOC (9) Cl.** **02-07**

(52) **U.S. Cl.** **D11/216**

(58) **Field of Classification Search** D11/1-2,
D11/200-201, 203-206, 210, 212, 214-219,
D11/222, 224, 226; 24/163 R, 169-171,
24/173, 177-179, 191, 194-195, 197, 200
See application file for complete search history.

(56) **References Cited**

U.S. PATENT DOCUMENTS

- D342,465 S * 12/1993 Anthony et al. D11/218
- D364,124 S * 11/1995 Lortz et al. D11/216
- D474,714 S * 5/2003 Karlsson et al. D11/216
- D515,456 S * 2/2006 Gastaldi D11/216
- D519,406 S * 4/2006 Merrill et al. D11/216

- D535,214 S * 1/2007 Kolasa D11/216
- D536,640 S * 2/2007 Kawamura et al. D11/216
- D552,014 S * 10/2007 Chen et al. D11/216
- D580,820 S * 11/2008 Daykin D11/216
- D592,543 S * 5/2009 Kolasa D11/216

* cited by examiner

Primary Examiner—Ralf Seifert

(74) *Attorney, Agent, or Firm*—Lowe Hauptman Ham & Berner LLP

(57) **CLAIM**

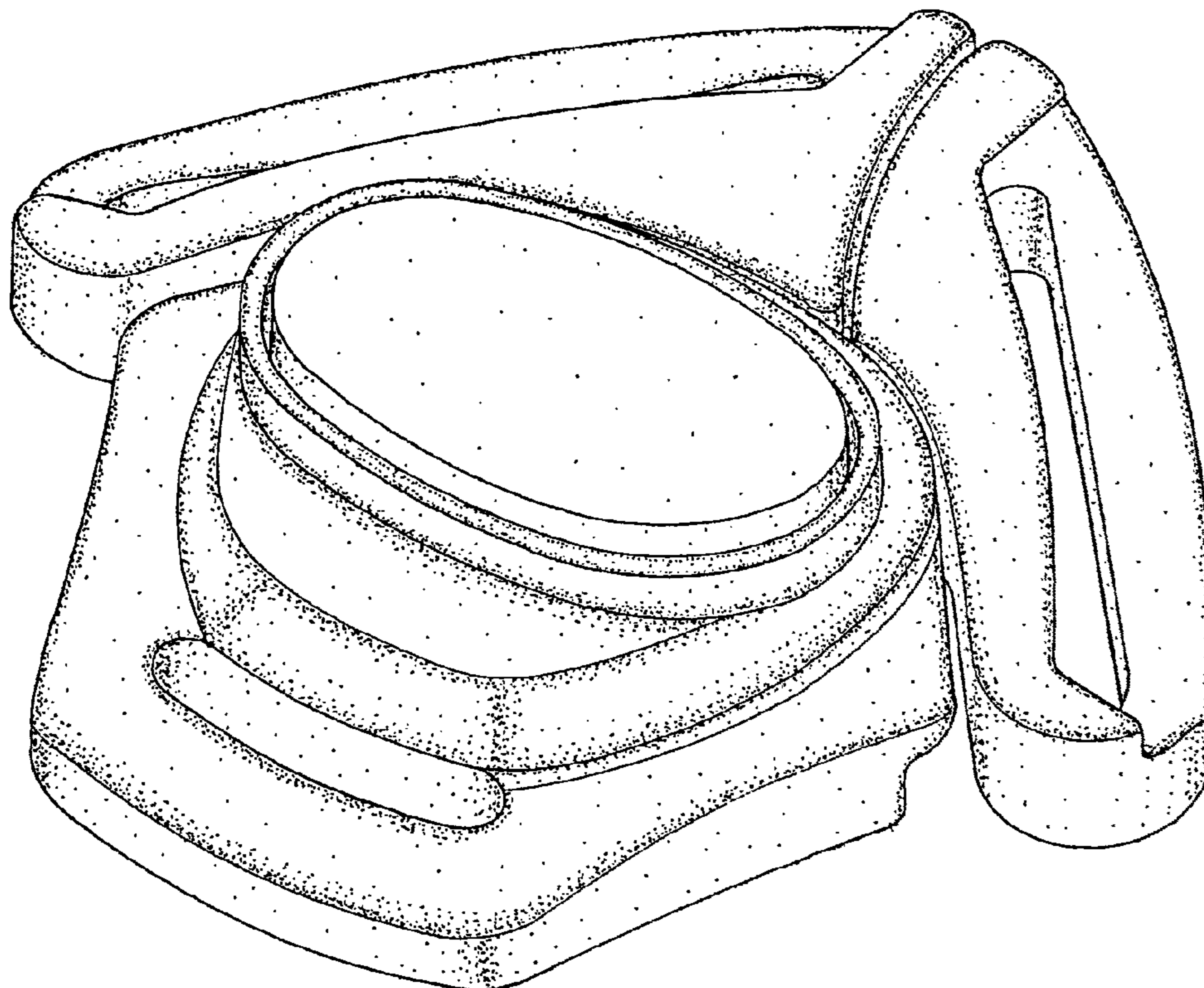
The ornamental design for a buckle, as shown and described.

DESCRIPTION

- FIG. 1 is a top view of a buckle bearing the design;
- FIG. 2 is a bottom view of the buckle;
- FIG. 3 is a front view of the buckle;
- FIG. 4 is a rear view of the buckle;
- FIG. 5 is a right side view of the buckle; and,
- FIG. 6 is a perspective view of the buckle.

The broken lines in FIG. 2 are included for the purpose of illustrating a portion of the buckle that forms no part of the claimed design.

1 Claim, 6 Drawing Sheets



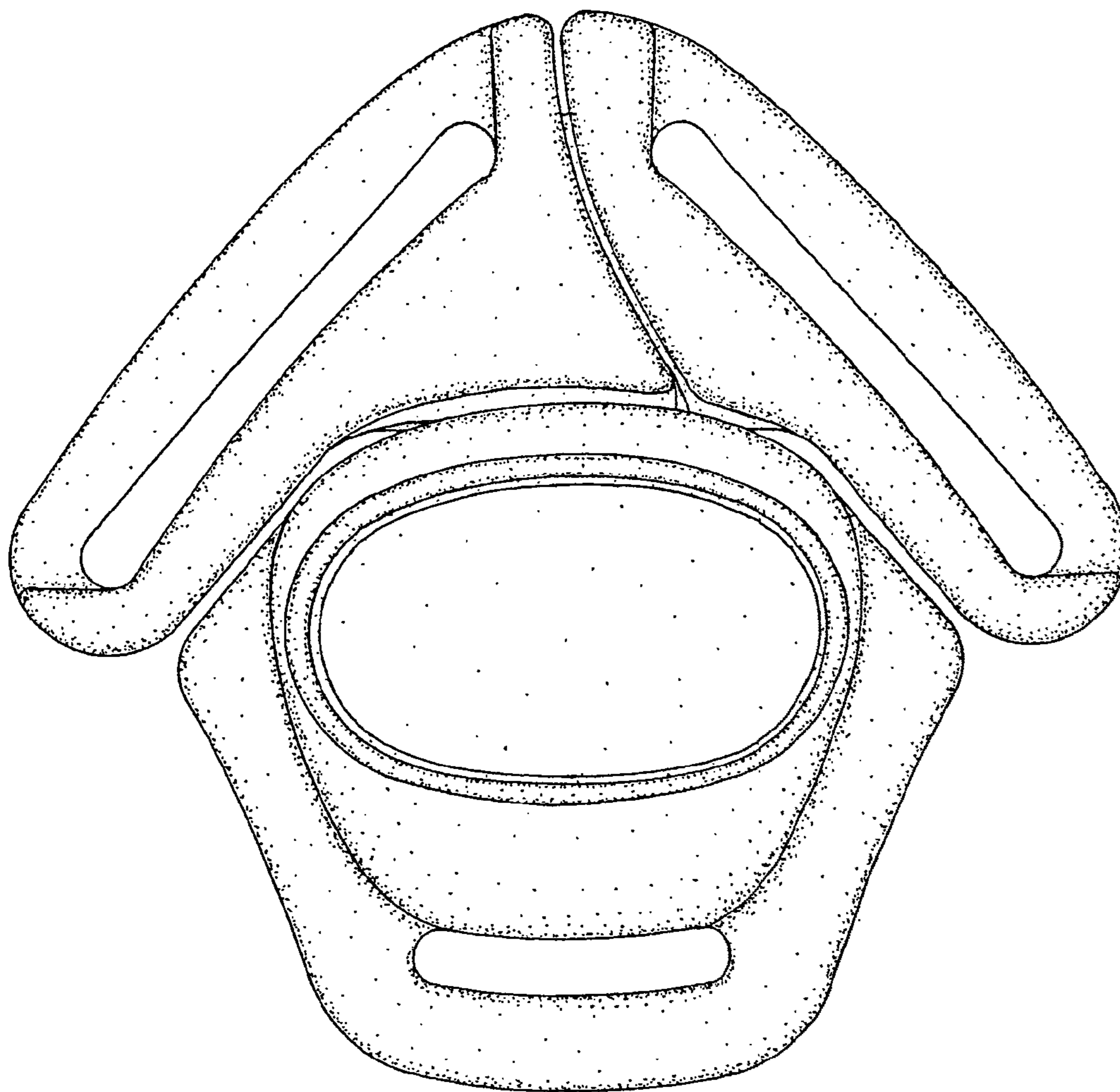


Fig. 1

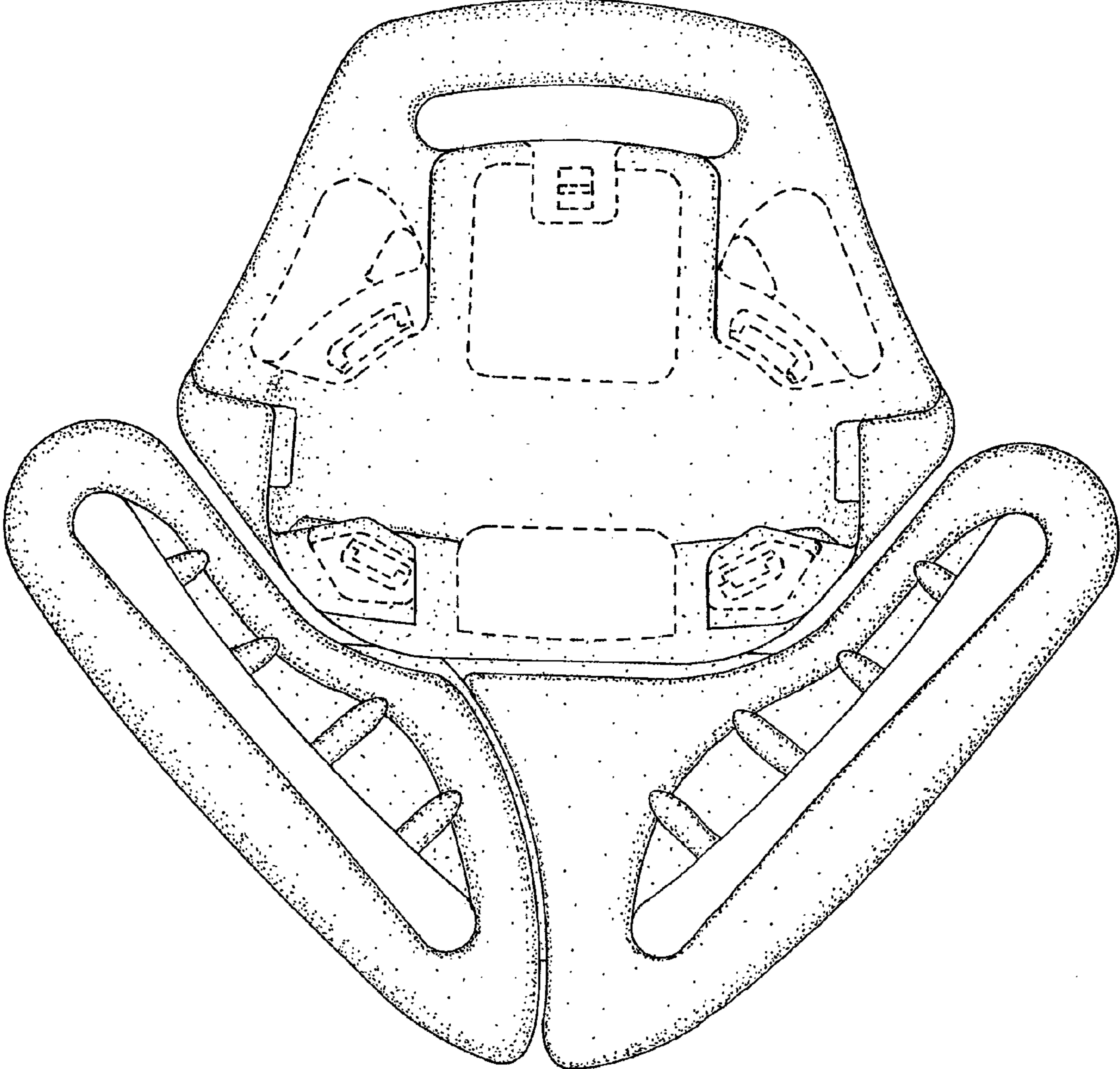


Fig. 2

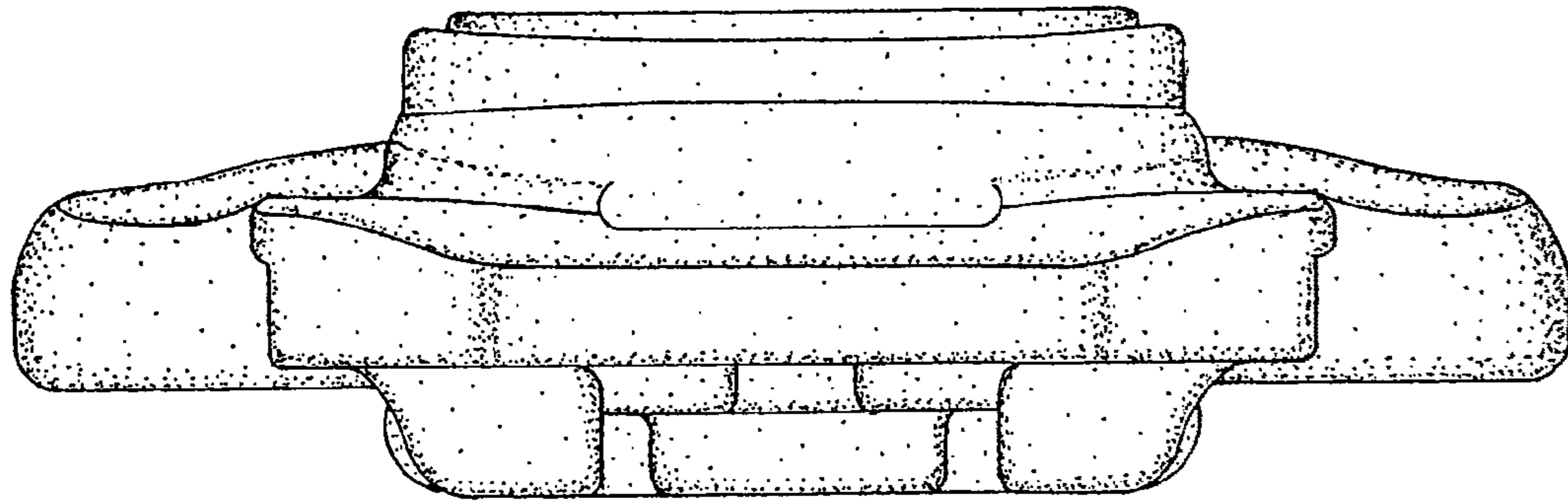


Fig. 3

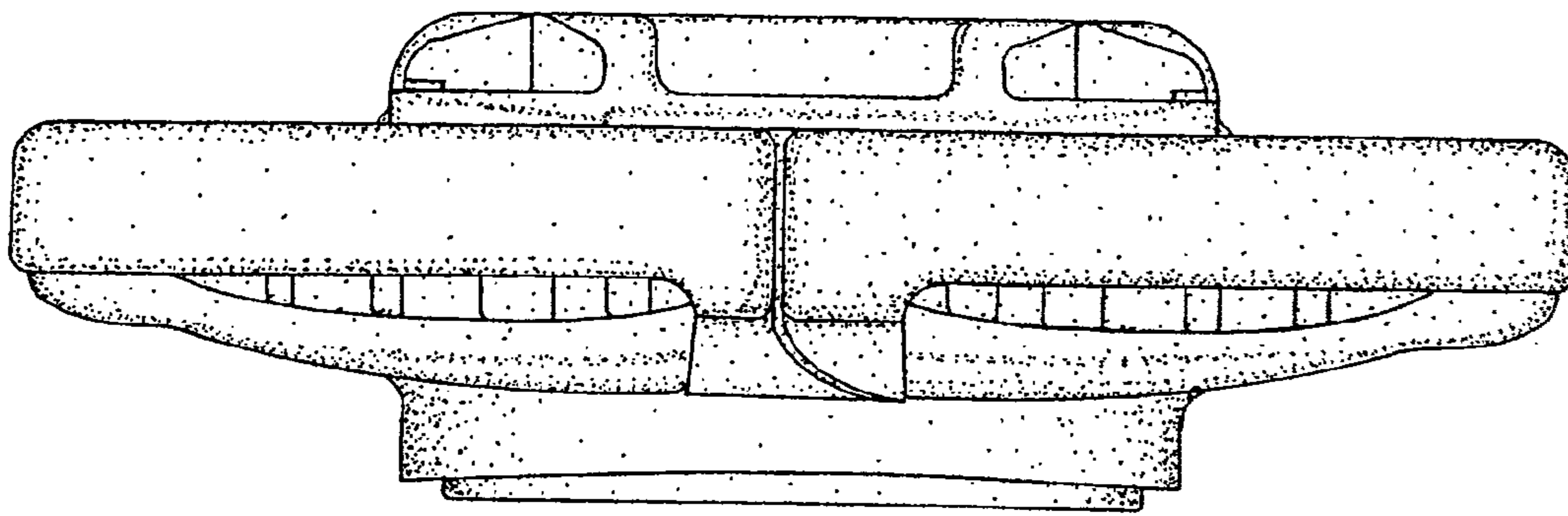


Fig. 4

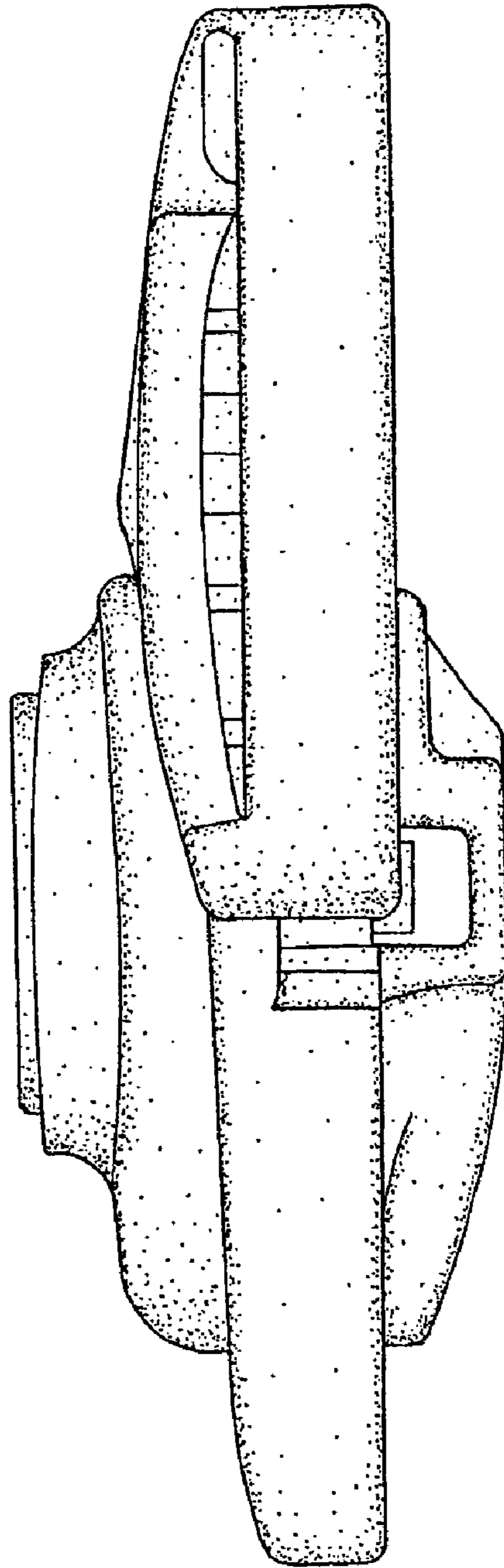


Fig. 5

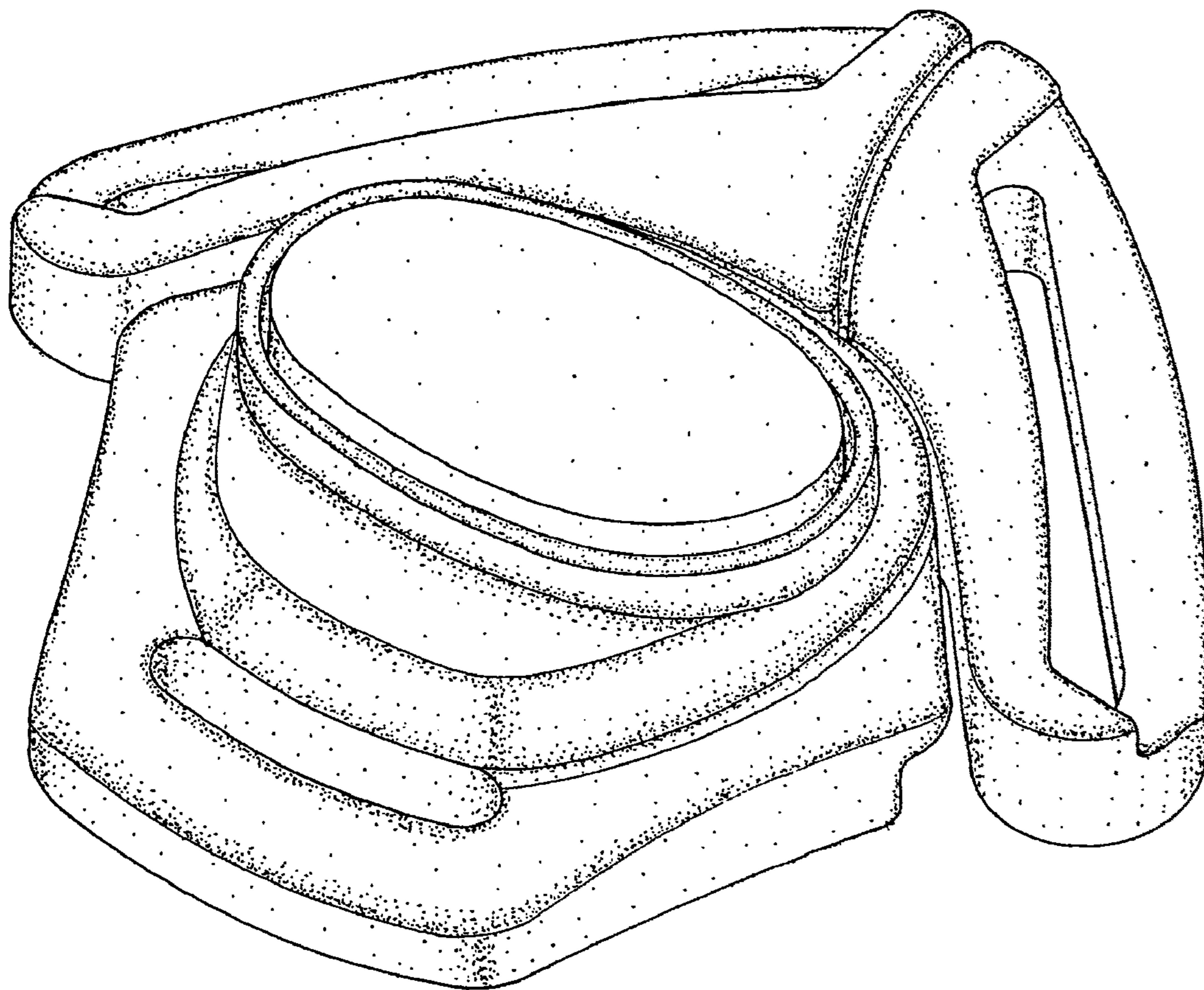


Fig. 6