



US00D632213S

(12) **United States Design Patent**
Messano

(10) **Patent No.:** **US D632,213 S**
(45) **Date of Patent:** **** Feb. 8, 2011**

(54) **PLANTER TRAY**

(76) Inventor: **Laura Messano**, 14 Lake Shore Blvd.,
Massapequa, NY (US) 11758

(**) Term: **14 Years**

(21) Appl. No.: **29/364,911**

(22) Filed: **Jun. 30, 2010**

D437,803 S *	2/2001	Sellers	D11/152
D453,308 S *	2/2002	McCauley	D11/152
D478,735 S *	8/2003	Sellers	D6/403
D500,704 S *	1/2005	Kruse et al.	D11/148
D503,861 S *	4/2005	Sellers	D6/403
D505,564 S *	5/2005	Wagner	D6/403
D507,762 S *	7/2005	Lehman et al.	D11/164
D510,295 S *	10/2005	Lehman et al.	D11/164
2003/0074834 A1 *	4/2003	Laske, Jr.	47/39
2005/0081439 A1 *	4/2005	Lehman et al.	47/39
2009/0229180 A1 *	9/2009	Rich et al.	47/66.6

Related U.S. Application Data

(63) Continuation of application No. 12/238,706, filed on
Sep. 26, 2008, now abandoned.

(51) **LOC (9) Cl.** **11-02**

(52) **U.S. Cl.** **D11/164**

(58) **Field of Classification Search** D11/143–145,
D11/149, 152–154, 157, 164, 147; 47/65.5,
47/67, 66.6, 69, 70, 71, 79, 80, 81; 220/574,
220/579; 206/423; 248/27.8; D7/354, 359,
D7/367, 672, 538, 540, 584

See application file for complete search history.

(56) **References Cited**

U.S. PATENT DOCUMENTS

D338,428 S *	8/1993	Grosfillex	D11/156
D340,204 S *	10/1993	Grosfillex	D11/155
D346,568 S *	5/1994	Bates	D11/164
5,309,670 A *	5/1994	Bates	47/71
D399,787 S *	10/1998	Wagner	D11/164
D399,788 S *	10/1998	Wagner	D11/164
6,047,499 A *	4/2000	Staas	47/71

* cited by examiner

Primary Examiner—Holly H Baynham

Assistant Examiner—Michelle E Wilson

(74) *Attorney, Agent, or Firm*—Tutunjian & Bitetto, P.C.

(57) **CLAIM**

The ornamental design for a planter tray, as shown and
described.

DESCRIPTION

FIG. 1 is a perspective view of the planter tray showing my
new design;

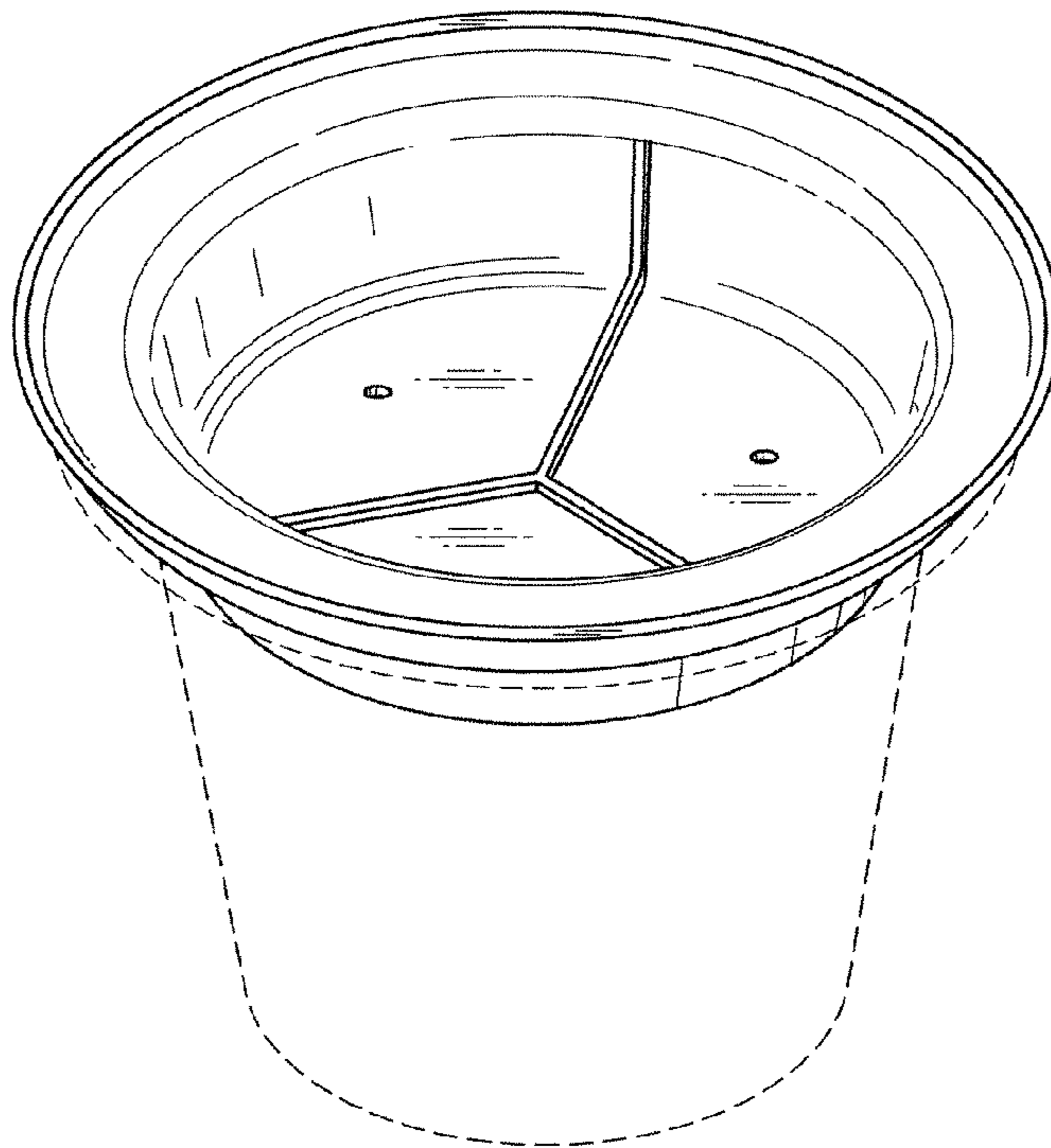
FIG. 2 is a side view thereof;

FIG. 3 is a top view thereof; and,

FIG. 4 is bottom view thereof.

The broken line showing of planter tray is included for the
purpose of illustrating environmental structure and forms no
part of the claimed design.

1 Claim, 2 Drawing Sheets



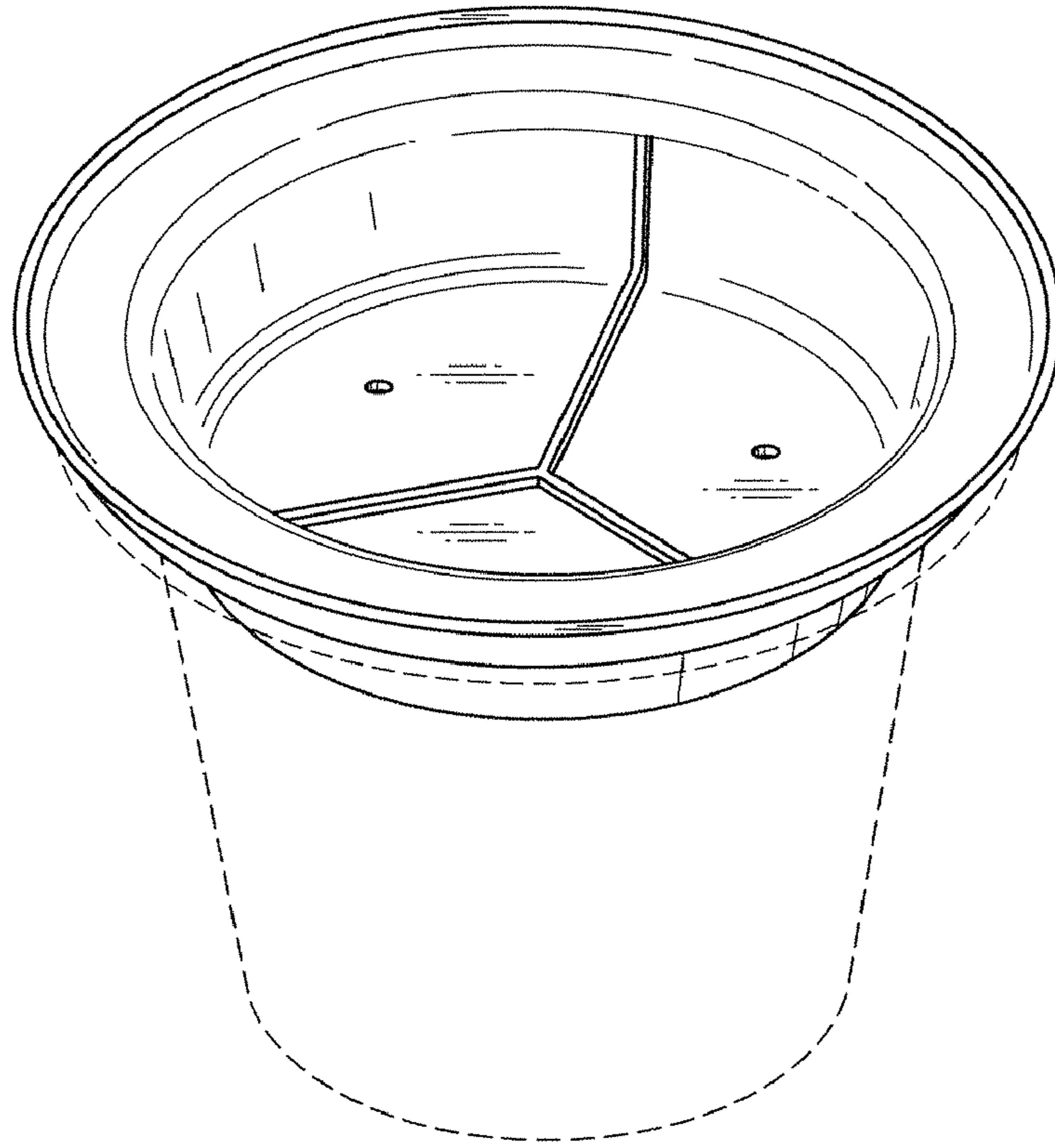


FIG. 1

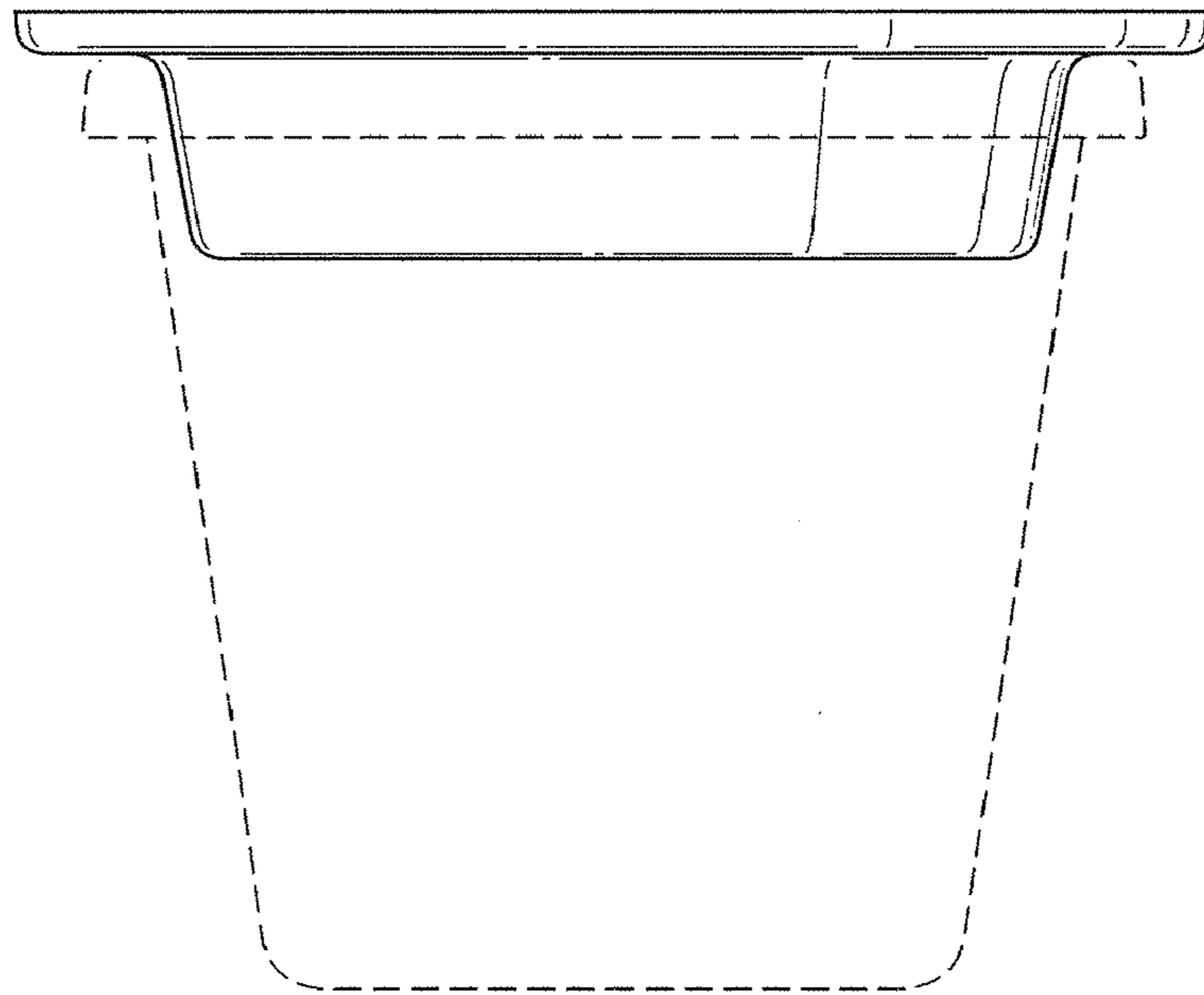


FIG. 2

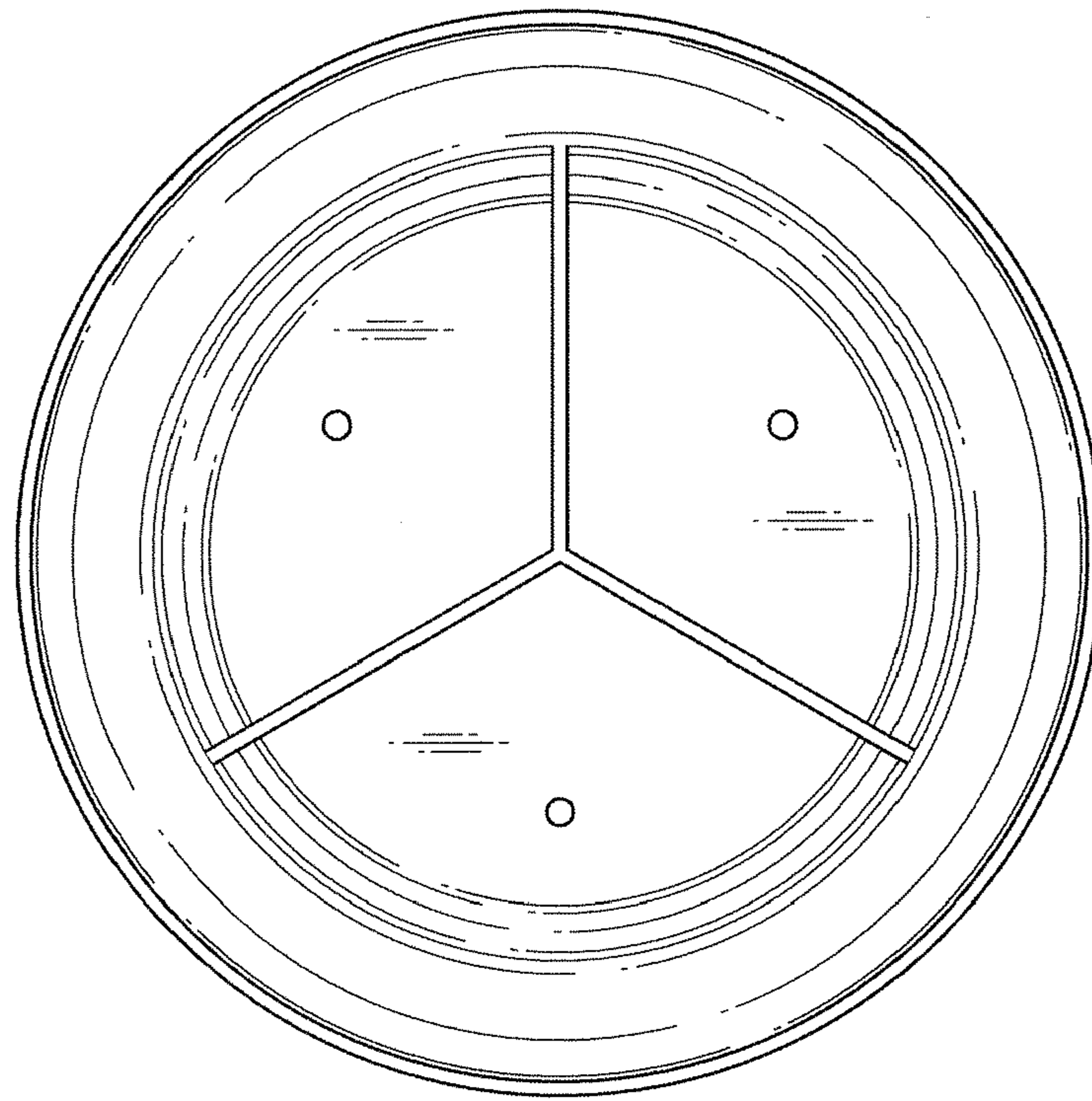


FIG. 3

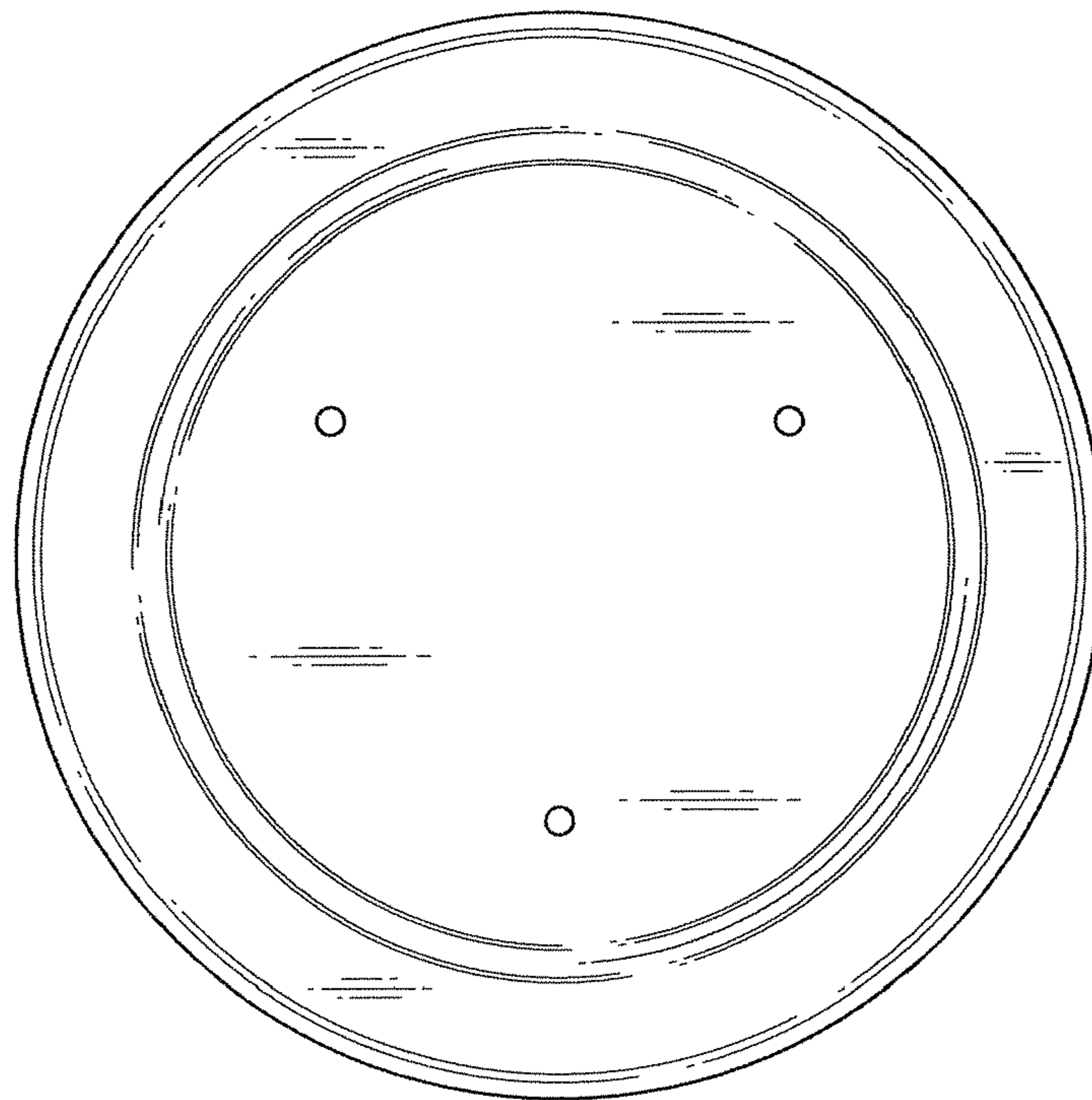


FIG. 4