



US00D632211S

(12) **United States Design Patent**  
**Bradley et al.**

(10) **Patent No.:** **US D632,211 S**  
(45) **Date of Patent:** **\*\* Feb. 8, 2011**

(54) **PLANT CONTAINER**

(75) Inventors: **Treg Bradley**, Phoenix, AZ (US);  
**Karim Rashid**, New York, NY (US)

(73) Assignee: **Grobal, LLC**, Chandler, AZ (US)

(\*\*) Term: **14 Years**

(21) Appl. No.: **29/359,733**

(22) Filed: **Apr. 14, 2010**

**Related U.S. Application Data**

(60) Continuation-in-part of application No. 29/339,780, filed on Jul. 7, 2009, which is a division of application No. 29/330,186, filed on Dec. 30, 2008, now Pat. No. Des. 598,323, which is a division of application No. 29/321,739, filed on Jul. 22, 2008, now Pat. No. Des. 586,255, which is a division of application No. 29/278,391, filed on Mar. 28, 2007, now Pat. No. Des. 575,668.

(51) **LOC (9) Cl.** ..... **11-02**

(52) **U.S. Cl.** ..... **D11/153**

(58) **Field of Classification Search** ..... D6/403-405,  
D6/556-558; D8/1; D11/143-156, 164;  
D19/77, 80, 81, 84; D25/100; D26/9-11,  
D26/16, 19; D34/1, 2, 4-6; D99/5, 19; 47/17,  
47/32.4, 32.5, 32.7, 33, 39, 41.01, 41.1, 41.11-41.15,  
47/44-47, 65, 65.5, 65.9, 66.1, 66.2, 66.6,  
47/66.7, 67-71

See application file for complete search history.

(56) **References Cited**

**U.S. PATENT DOCUMENTS**

2,361,029 A \* 10/1944 Heintl ..... 47/69

D256,110 S \* 7/1980 Dunbar et al. .... D11/153  
D387,808 S \* 12/1997 Carlson ..... D19/99  
D468,847 S \* 1/2003 Lee ..... D26/9  
D553,687 S \* 10/2007 Huang ..... D19/84  
D575,668 S \* 8/2008 Rashid et al. .... D11/152  
D586,255 S \* 2/2009 Rashid et al. .... D11/152  
D598,323 S \* 8/2009 Bradley et al. .... D11/152  
D602,311 S \* 10/2009 Finell ..... D7/629

\* cited by examiner

*Primary Examiner*—Garth Rademaker  
(74) *Attorney, Agent, or Firm*—Snell & Wilmer L.L.P.

(57) **CLAIM**

The ornamental design for a plant container, as shown and described.

**DESCRIPTION**

FIG. 1 is a perspective view of a plant container showing the new design;

FIG. 2 is a front elevation view thereof;

FIG. 3 is a back elevation view thereof;

FIG. 4 is a left side elevation view thereof;

FIG. 5 is a right side elevation view thereof;

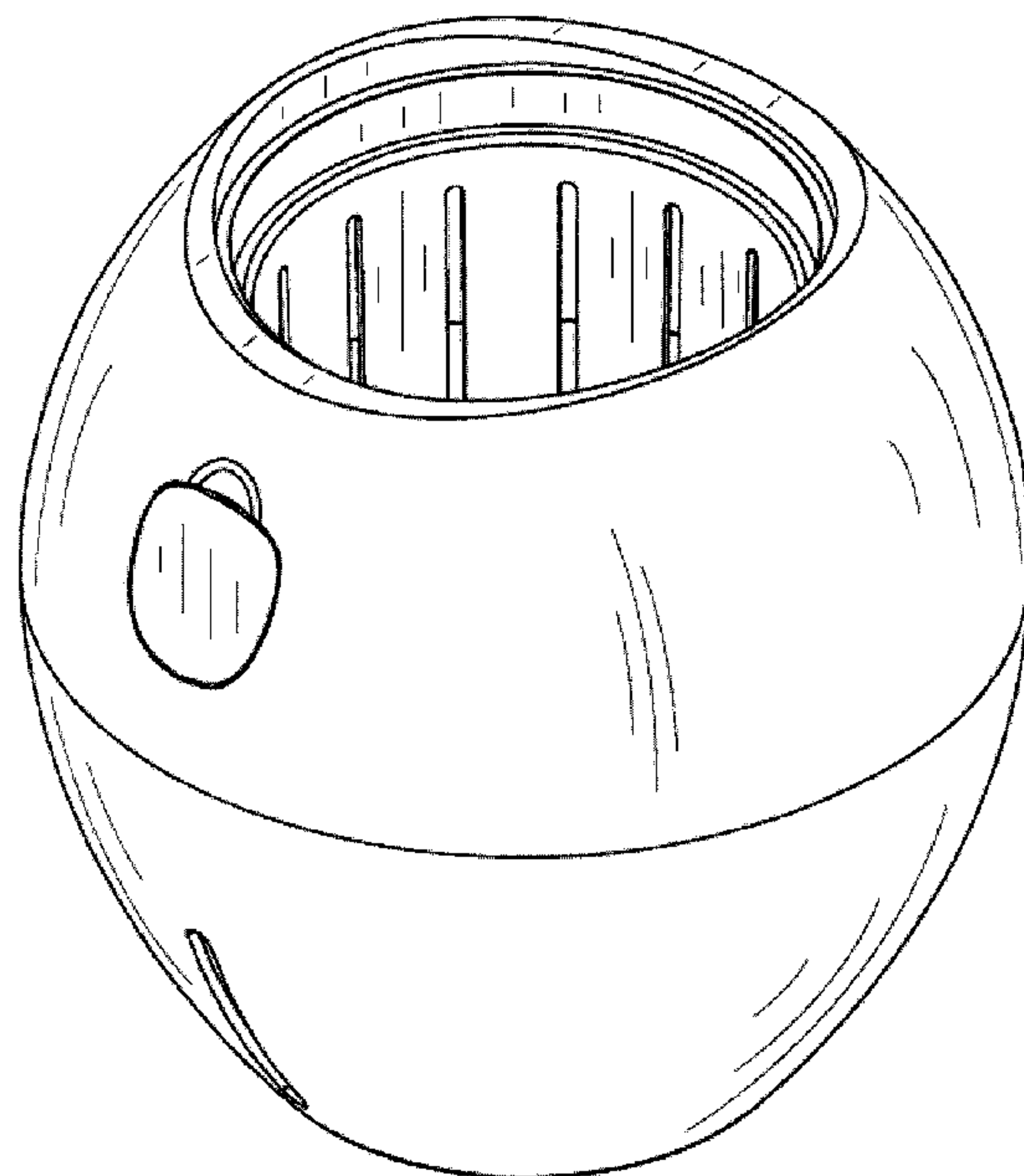
FIG. 6 is a top plan view thereof;

FIG. 7 is a bottom plan view thereof; and,

FIG. 8 is an exploded, left side elevation view thereof.

The broken lines depict environmental subject matter only and form no part of the claimed design.

**1 Claim, 5 Drawing Sheets**



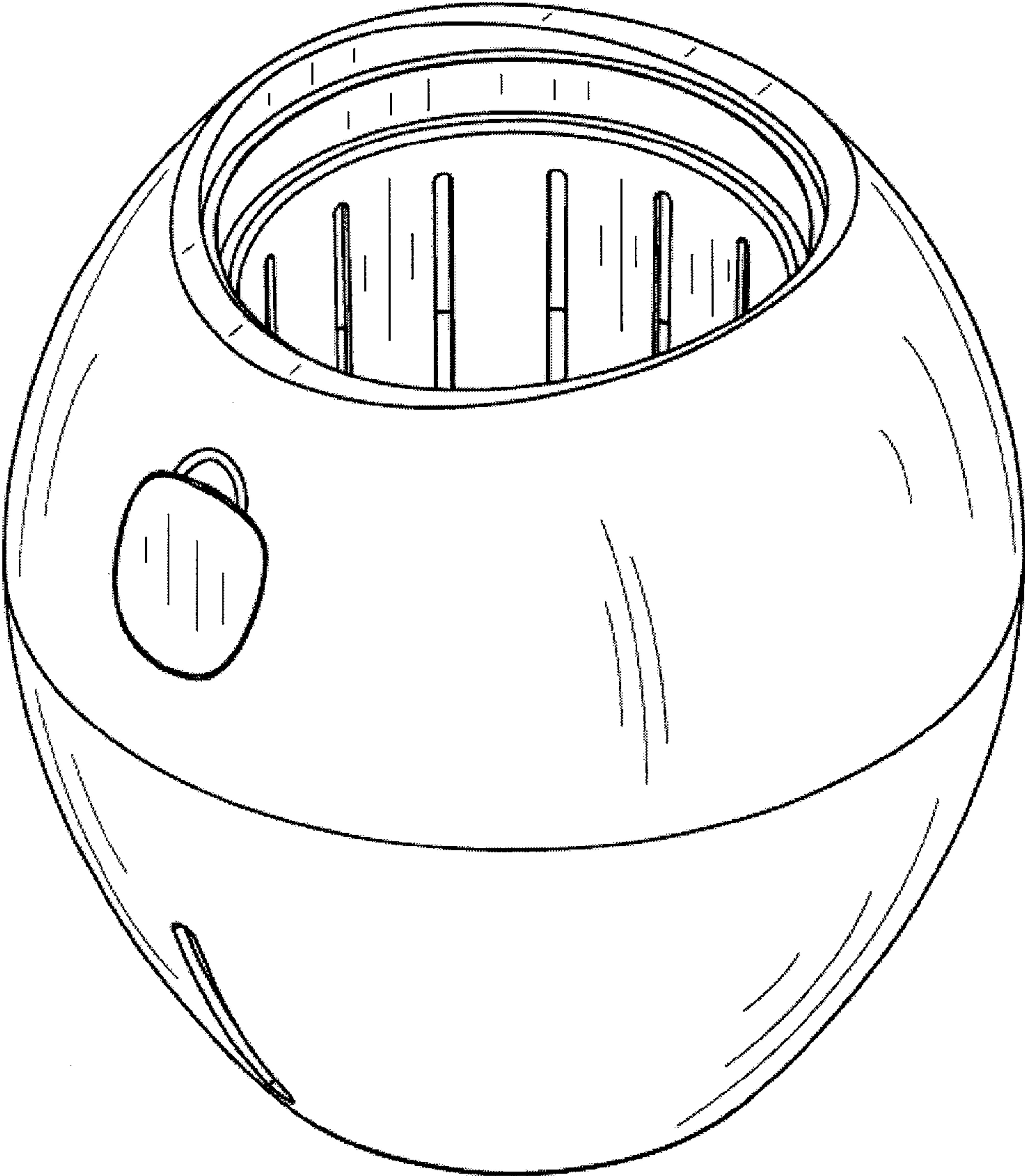
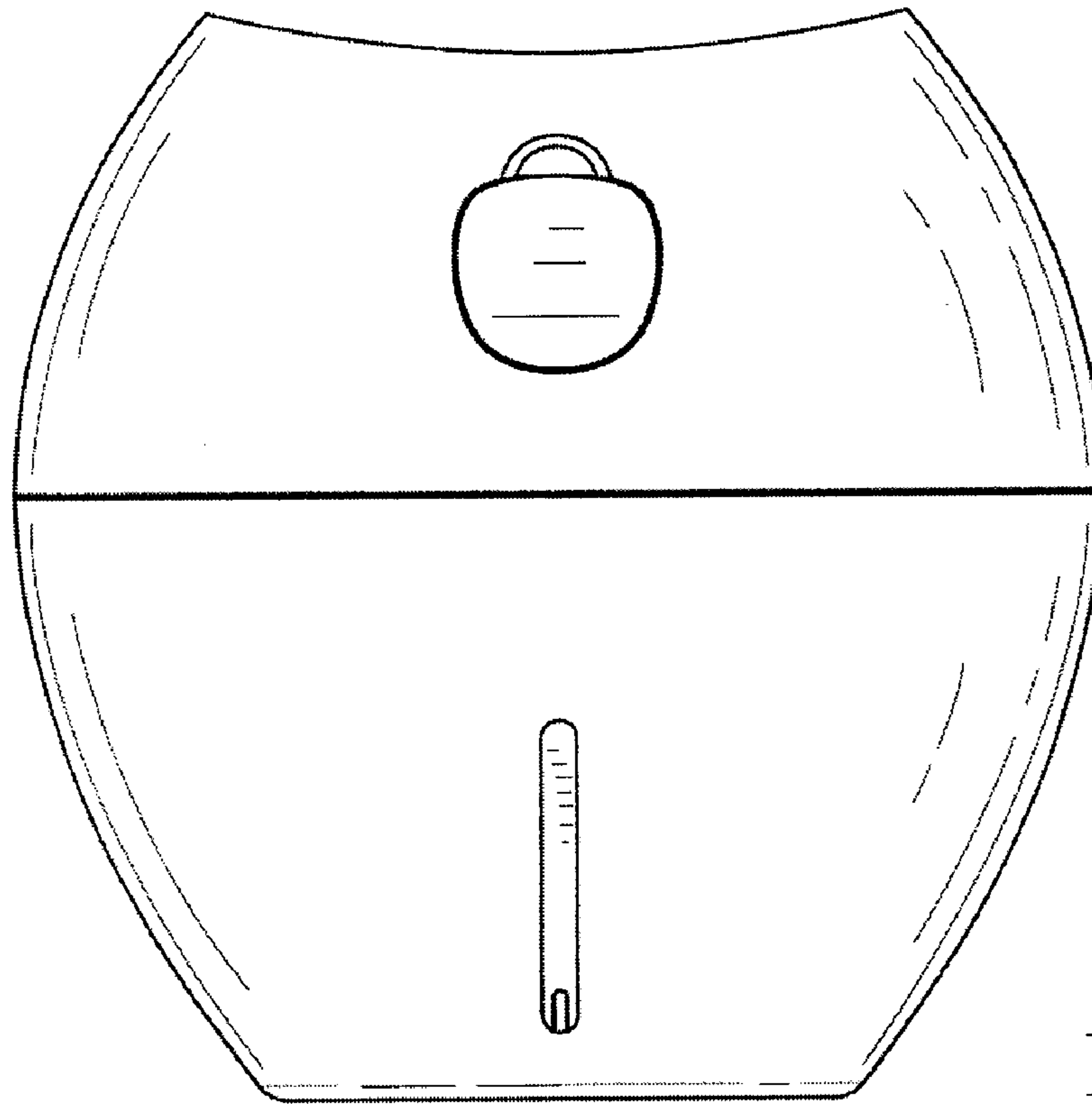
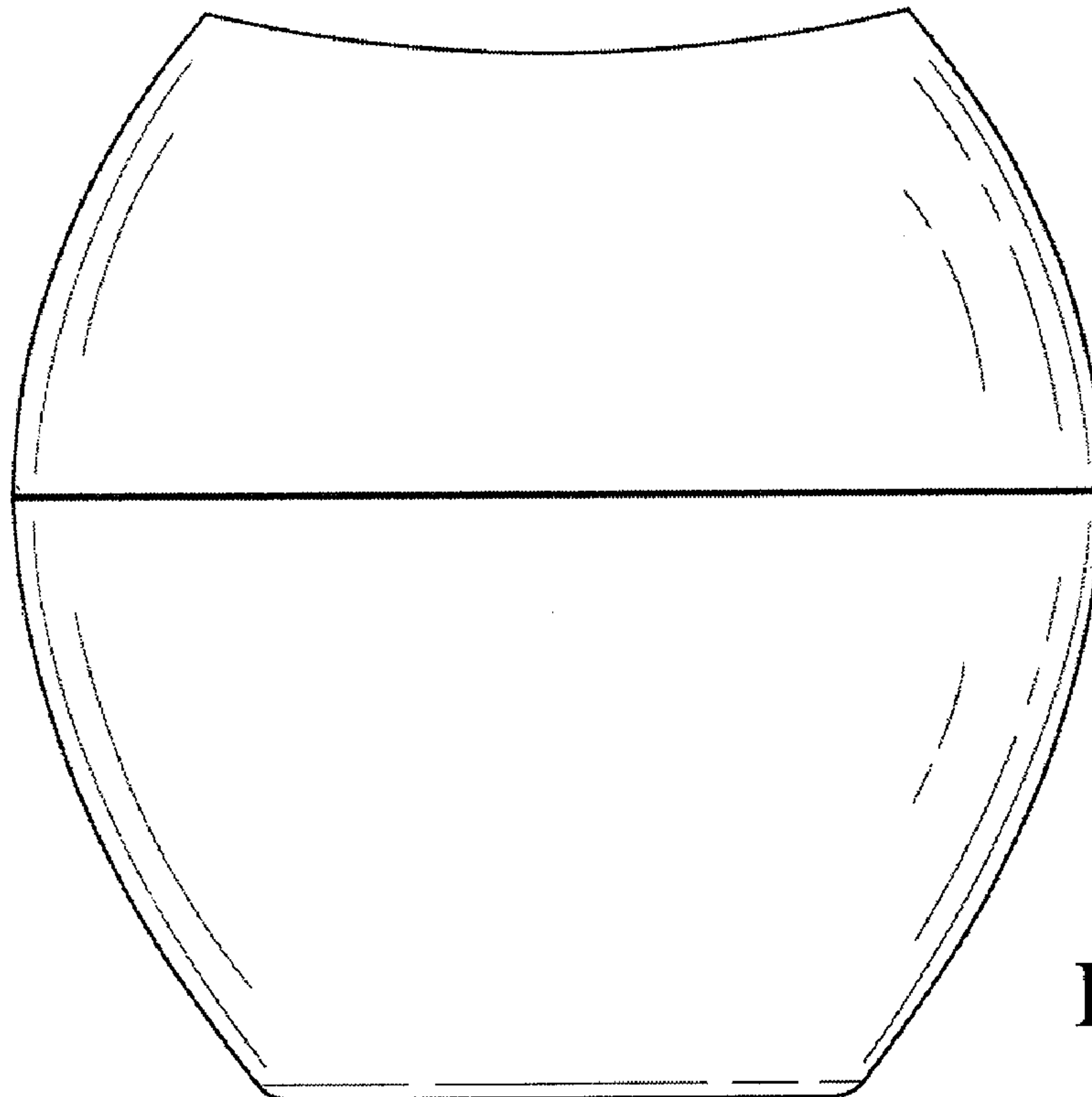


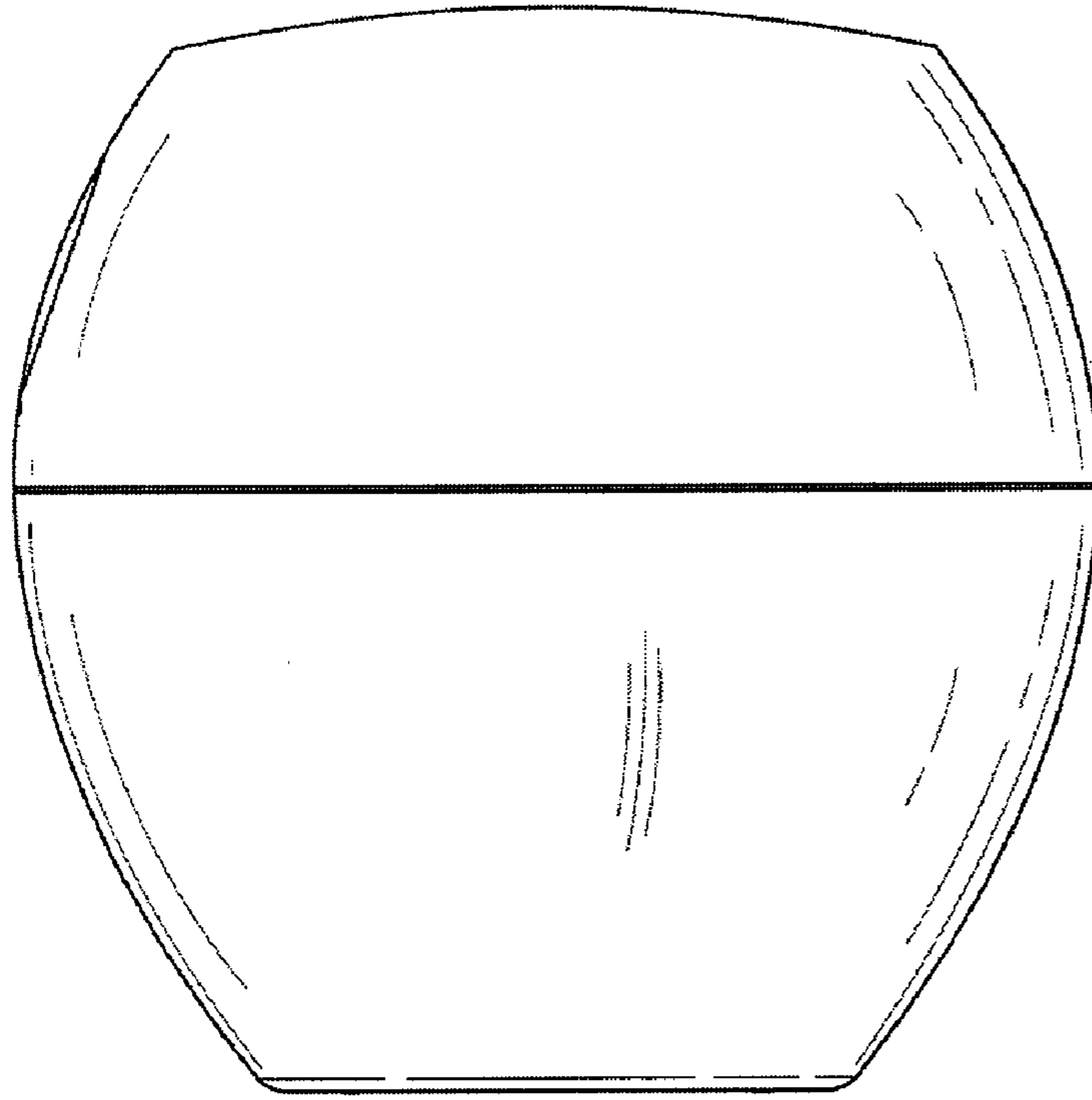
FIG. 1



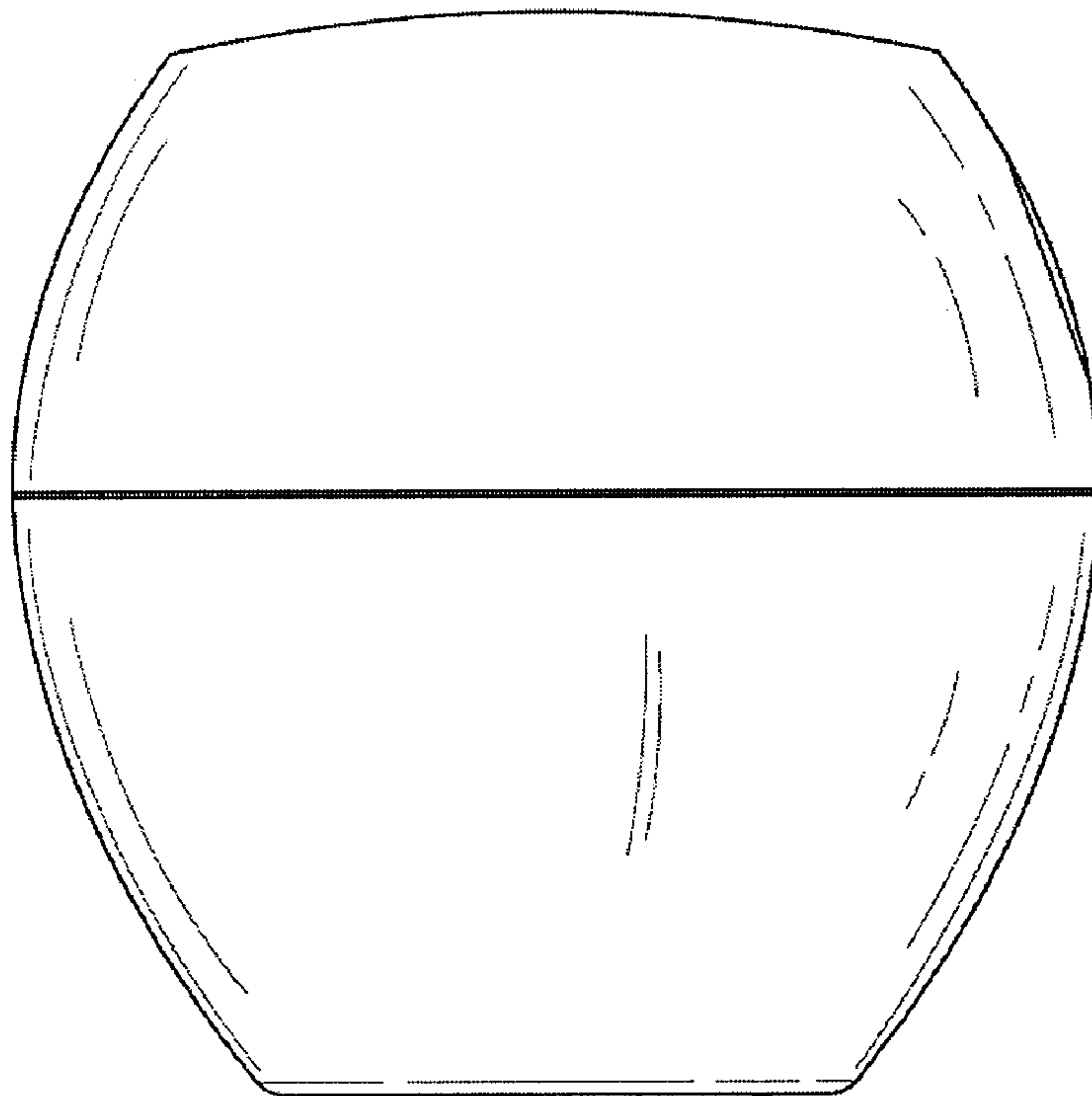
**FIG. 2**



**FIG. 3**

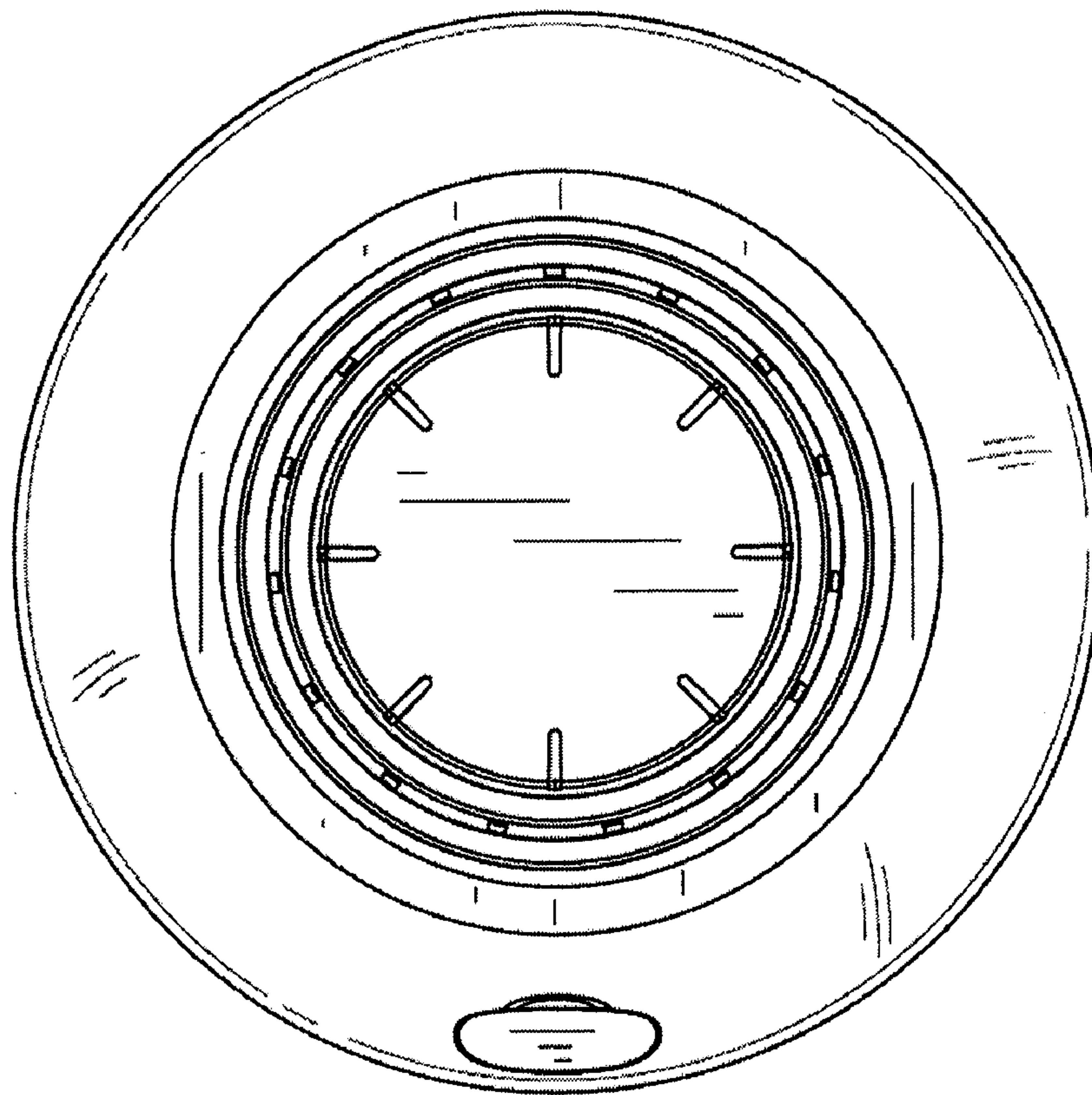


**FIG. 4**

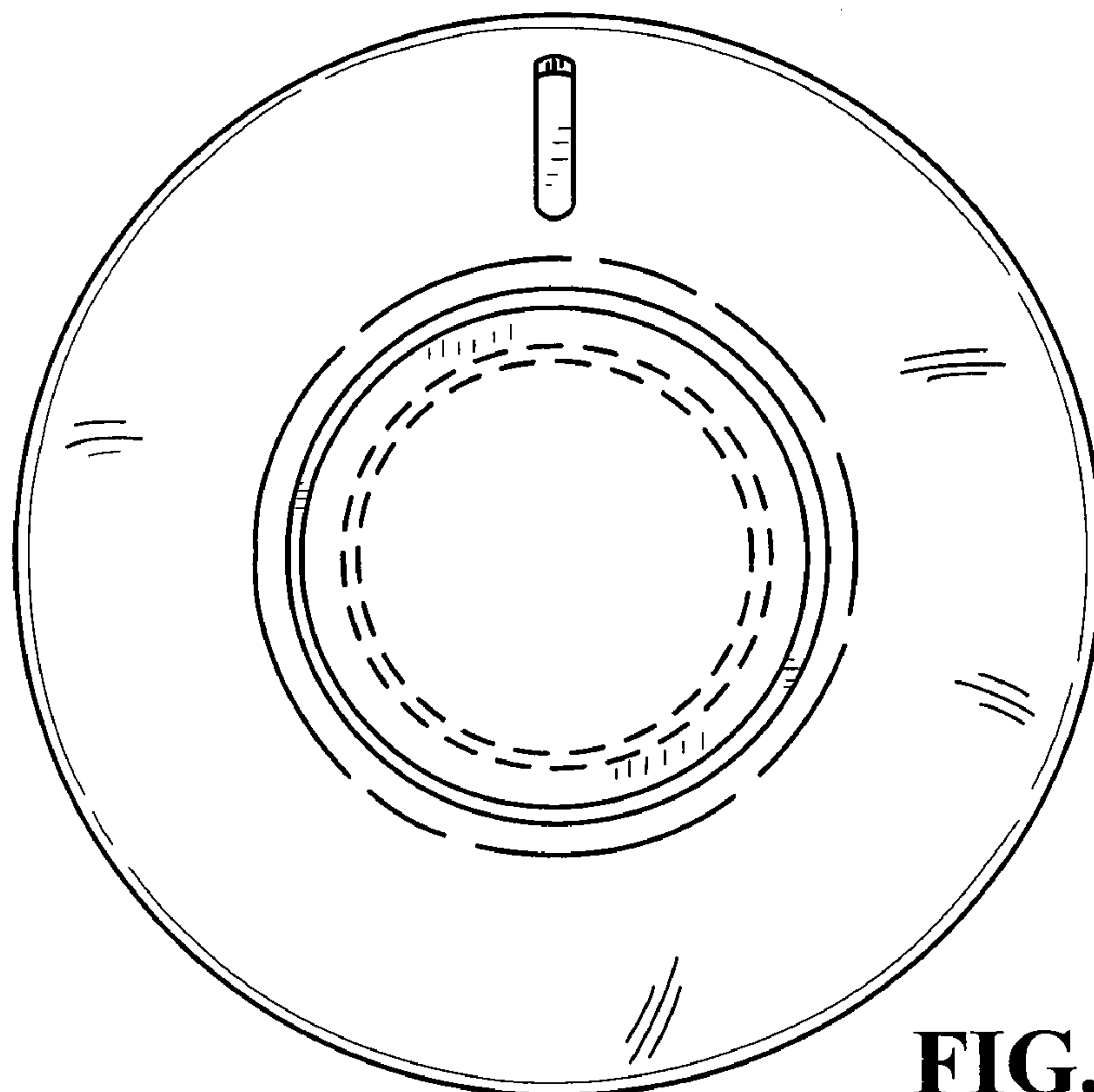


**FIG. 5**

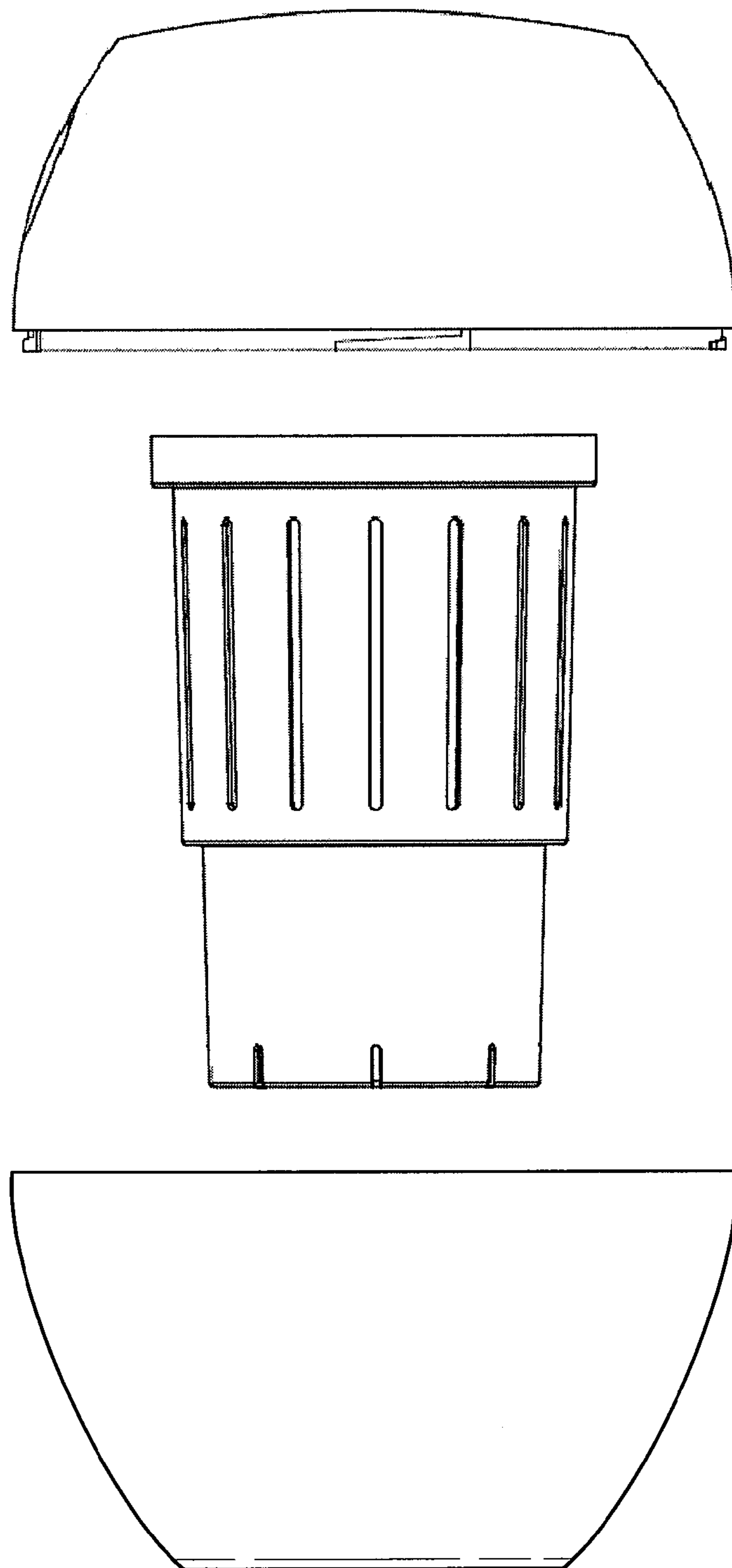




**FIG. 6**



**FIG. 7**



**FIG. 8**