



US00D632199S

(12) **United States Design Patent**
Jacobs et al.

(10) **Patent No.:** **US D632,199 S**
(45) **Date of Patent:** **** Feb. 8, 2011**

(54) **LIGHT BAR**

(75) Inventors: **Christopher D. Jacobs**, Honeoye Falls, NY (US); **Steven W. Neufeglise**, Rochester, NY (US); **Stephen T. Vukosic**, West Henrietta, NY (US); **Robert J. Gross**, Rochester, NY (US); **J. Douglas Richardson**, Pittsford, NY (US); **Michael F. Mastin**, Livonia, NY (US); **J. Andrew Howard**, Honeoye Falls, NY (US); **R. Michael Datz**, Rochester, NY (US)

(73) Assignee: **Star Headlight & Lantern Co., Inc.**, Avon, NY (US)

(**) Term: **14 Years**

(21) Appl. No.: **29/301,211**

(22) Filed: **Feb. 15, 2008**

(51) **LOC (9) Cl.** **10-05**

(52) **U.S. Cl.** **D10/114**

(58) **Field of Classification Search** D10/104,
D10/106, 114; 340/574, 539.13; D26/72,
D26/76

See application file for complete search history.

(56) **References Cited**

U.S. PATENT DOCUMENTS

D262,659 S	1/1982	Latta et al.	
D279,714 S	7/1985	Taylor	
D284,557 S	7/1986	Ferenc	
D402,909 S	12/1998	Stanuch	
D469,711 S	2/2003	Neufeglise et al.	
6,722,776 B1	4/2004	Lyons et al.	
D491,482 S	6/2004	Chiang	
D499,976 S	12/2004	Neufeglise et al.	
D545,230 S	6/2007	Jalala	
D581,303 S *	11/2008	Concari	D10/104
D586,249 S *	2/2009	Elsemore	D10/104
7,751,832 B2 *	7/2010	Bartkowski	455/456.1

OTHER PUBLICATIONS

Whelen Engineering Company, Inc., Edge Freedom FV & FW Series, WeCan Programmable Super-LED Lightbars, 2007.
Whelen Engineering Company, Inc., LFL Liberty SW Series, WeCan Programmable Super-LED Lightbars, 2007.
Tomar Electronics, Inc., 930L Lightbars, The Most Visible LED Lightbars.
Federal Signal Corporation, Legend, As Brilliant Inside As It Is Outside, 2007.
Tomar Electronics, Inc., The Blade, Low-Profile Lightbar.
Code 3, Inc., TX2500, Synchronized Low Profile LED Lightbar.
SoundOff Signal, ETL5000, The Choice is Finally Clear, LED Lightbars, 2007.
911EP, Galaxy, LED Lightbar, Galaxy & Galaxy Elite.

* cited by examiner

Primary Examiner—Caron Veynar

Assistant Examiner—George D Kirschbaum

(74) *Attorney, Agent, or Firm*—Kenneth J. Lukacher; Martin Lukacher

(57) **CLAIM**

The ornamental design for a light bar, as shown and described.

DESCRIPTION

FIG. 1 is a perspective view of a light bar showing my new design;

FIG. 2 is a top plan view thereof

FIG. 3 is front elevational view thereof;

FIG. 4 is bottom view thereof;

FIG. 5 is a right end view thereof, the left end view being identical thereto;

FIG. 6 is a perspective view of a second embodiment thereof;

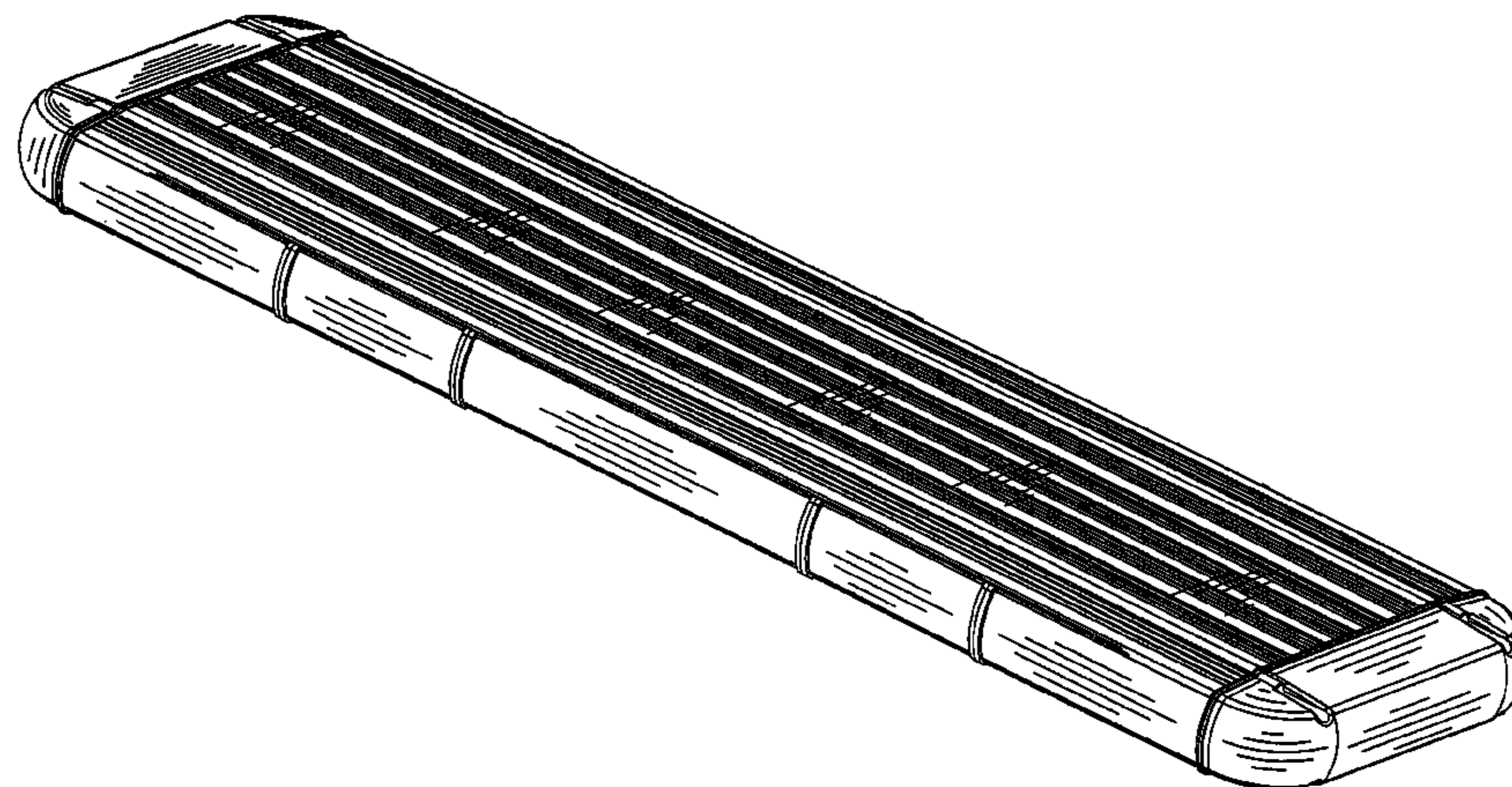
FIG. 7 is a top plan view thereof;

FIG. 8 is a front elevational view thereof;

FIG. 9 is a bottom plan view thereof; and,

FIG. 10 is a right end view thereof, the left end view being identical thereto.

1 Claim, 10 Drawing Sheets



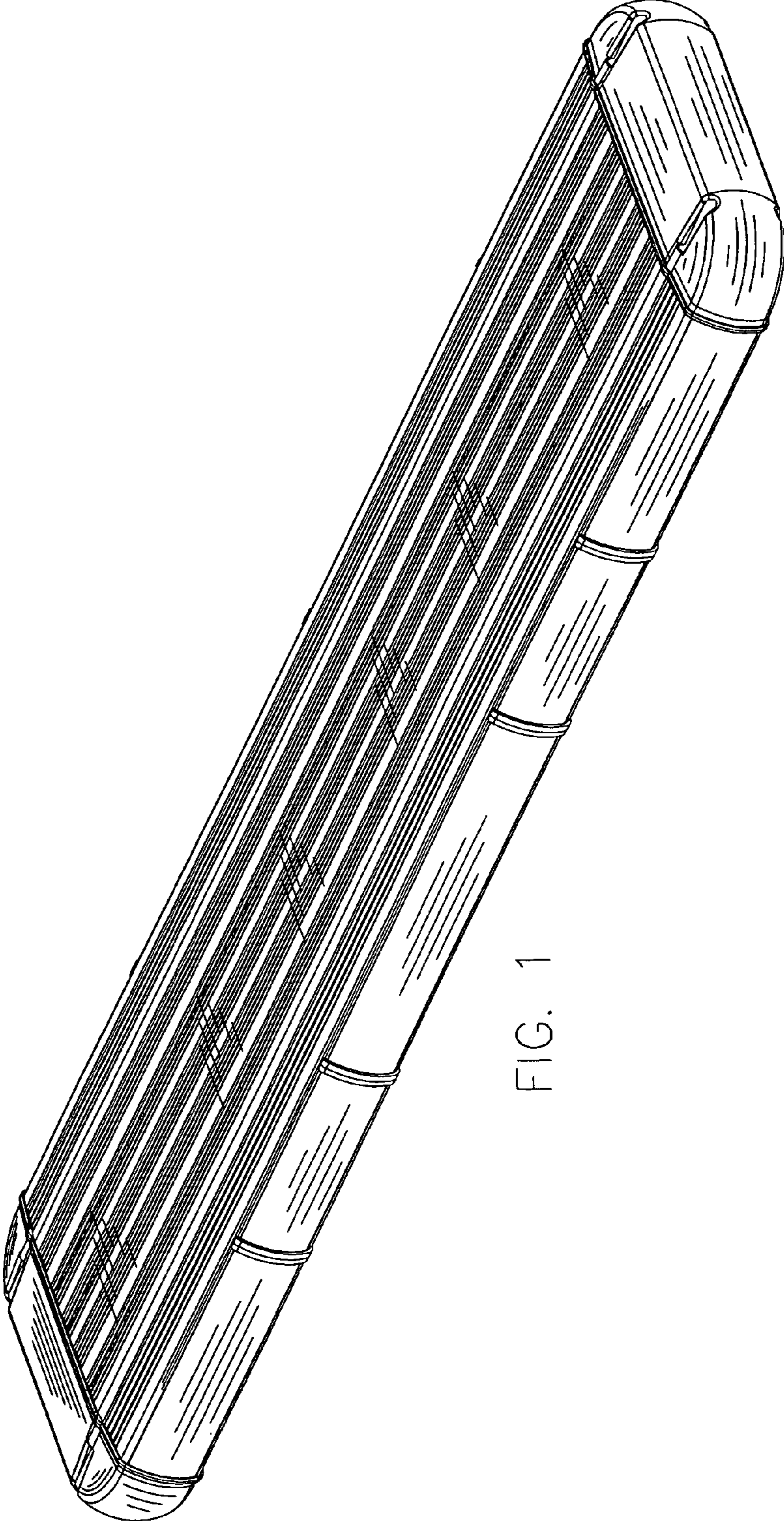


FIG. 1

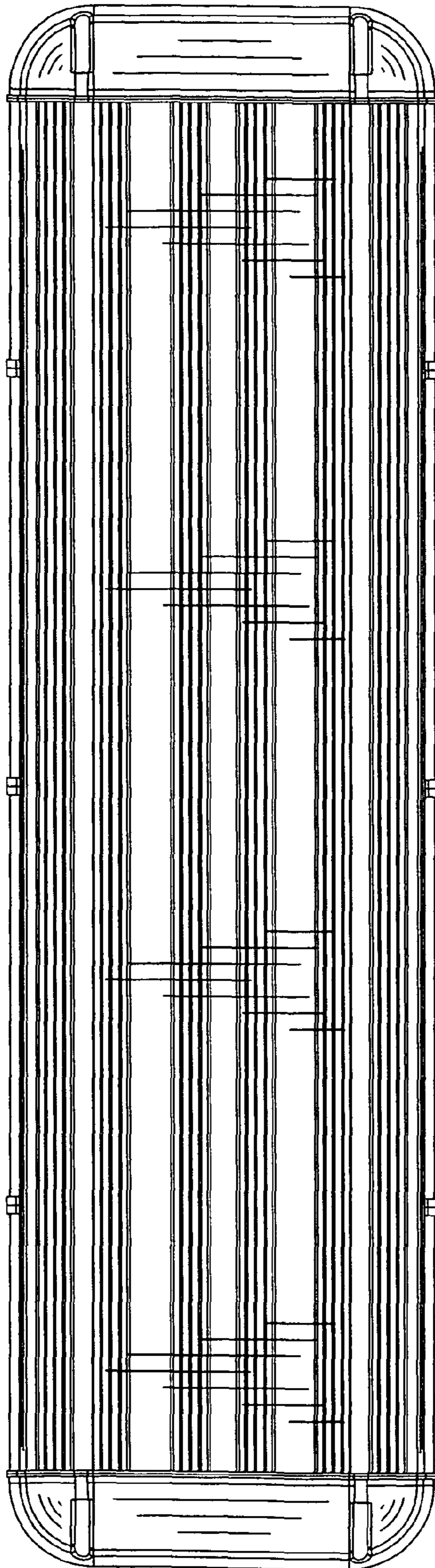


FIG. 2

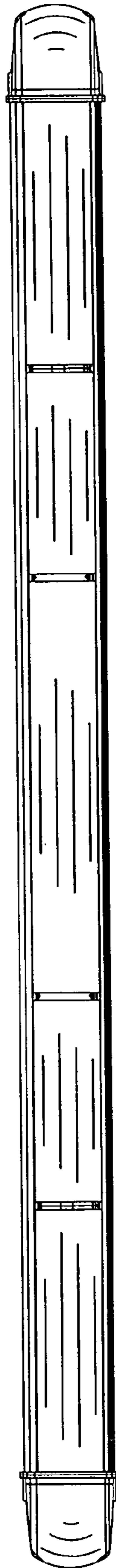


FIG. 3

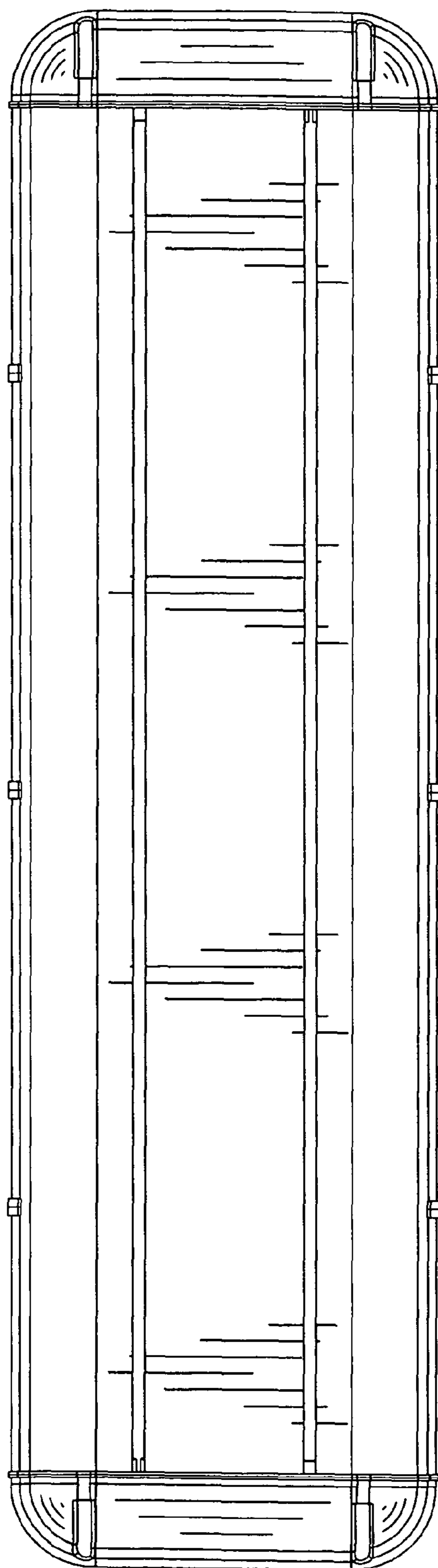


FIG. 4

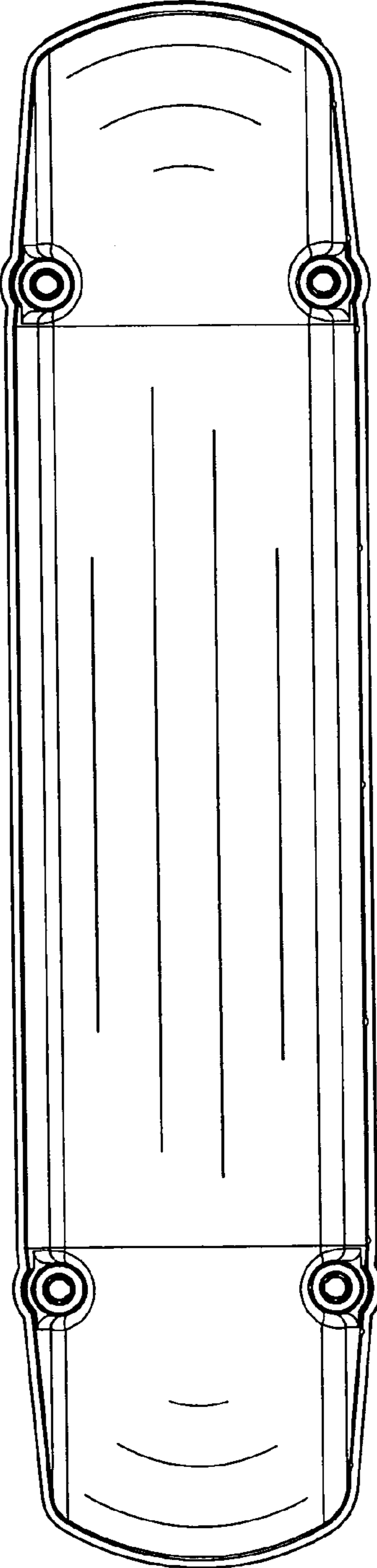


FIG. 5

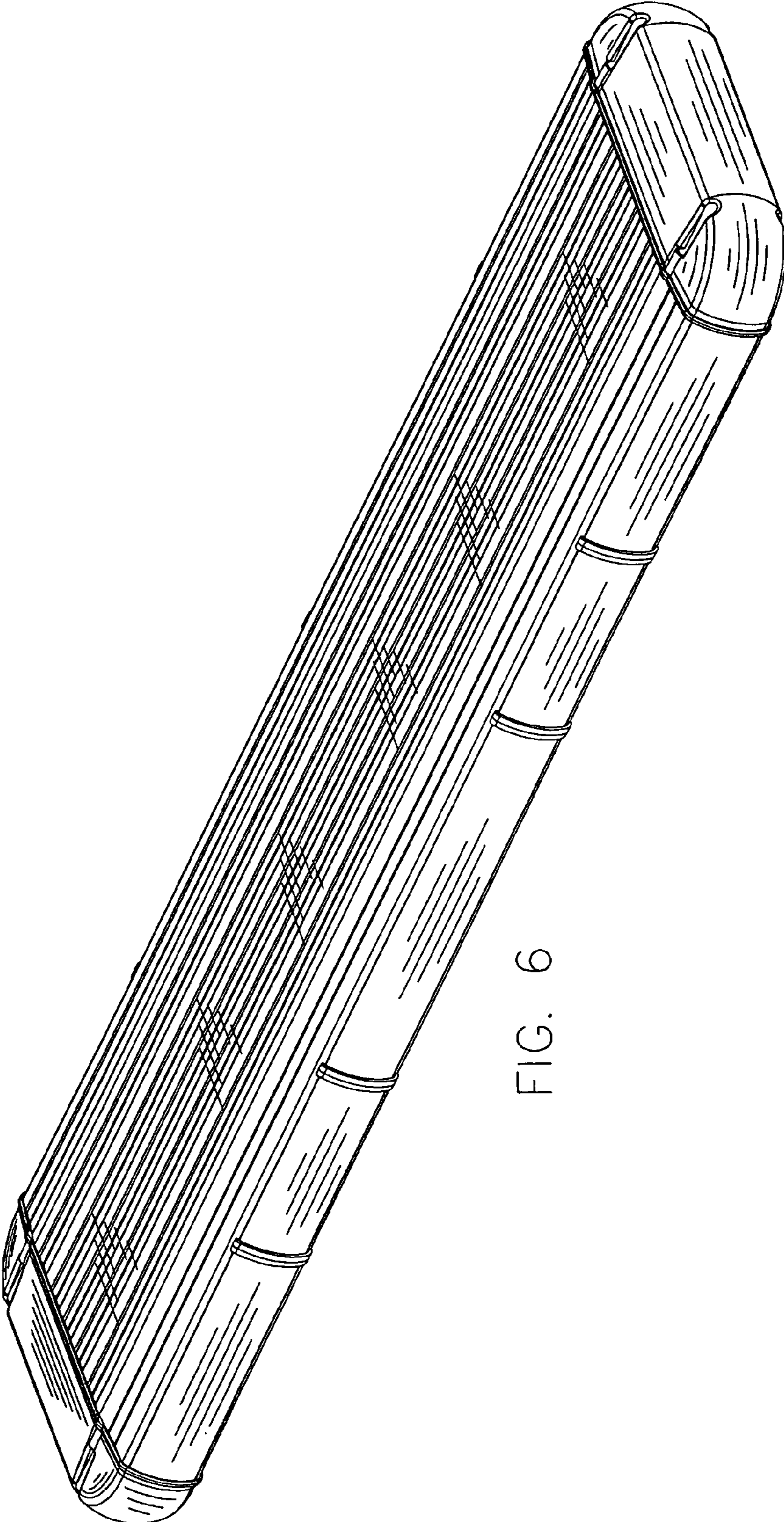


FIG. 6

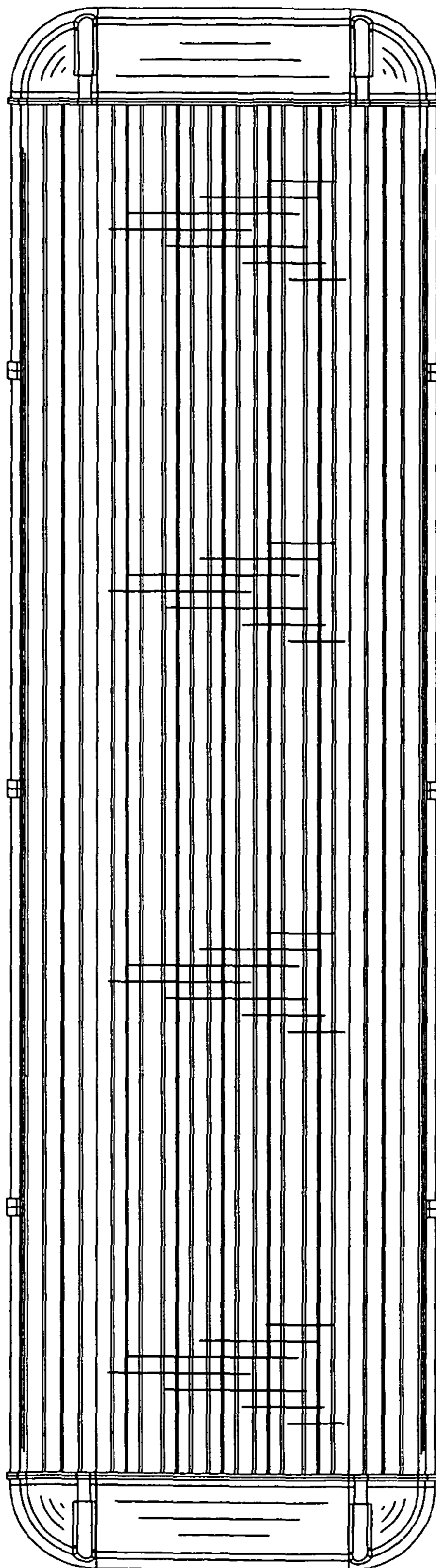


FIG. 7



FIG. 8

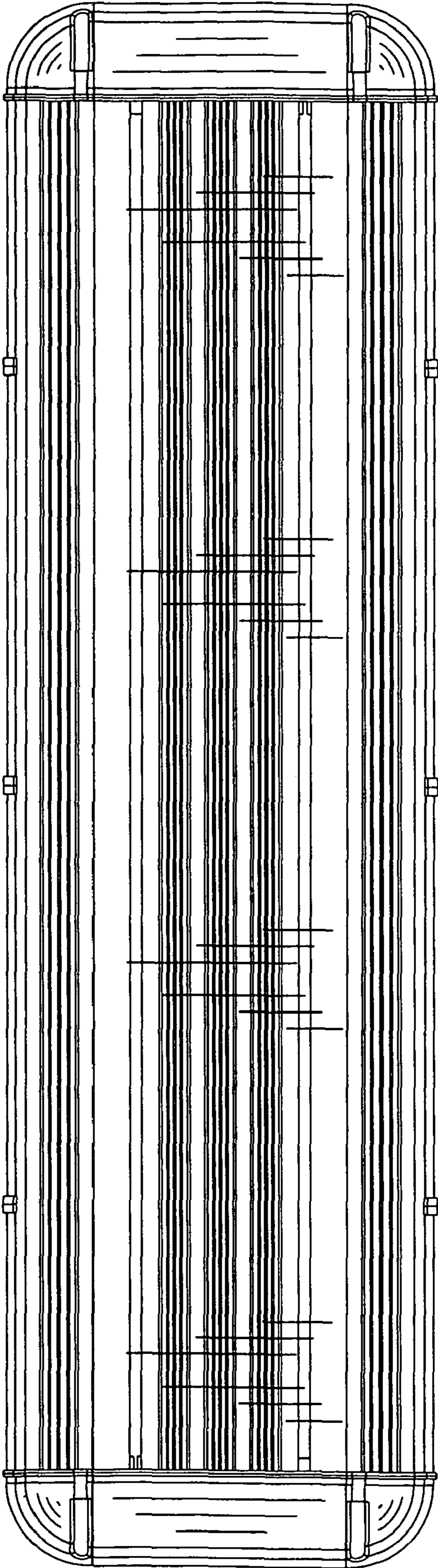


FIG. 9

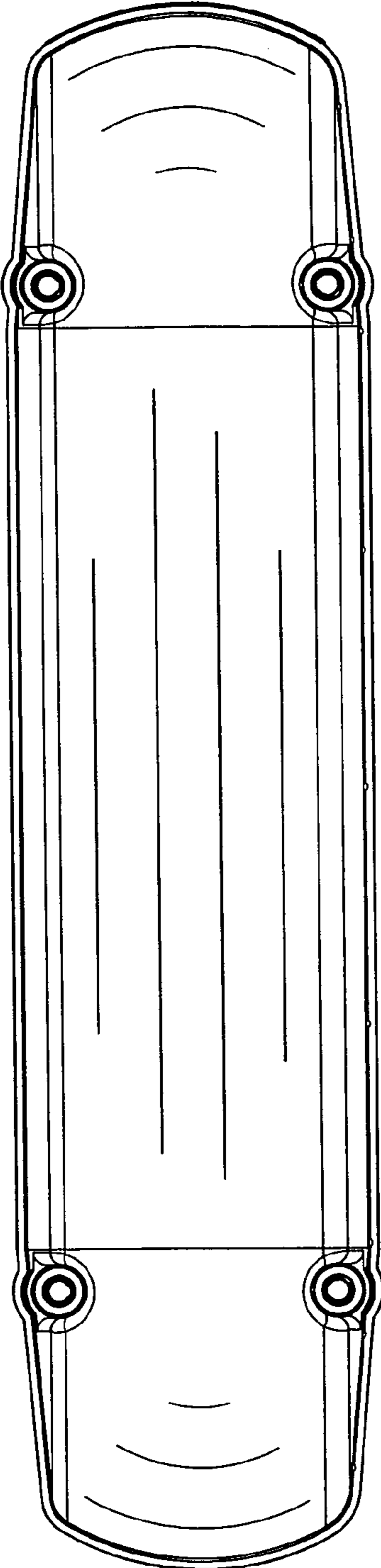


FIG. 10