



US00D632196S

(12) **United States Design Patent**  
**Macey**

(10) **Patent No.:** **US D632,196 S**  
(45) **Date of Patent:** **\*\* Feb. 8, 2011**

(54) **RISER FOR MARKING AND DETECTING A SMALL UNDERGROUND UTILITY**

2005/0036833 A1 \* 2/2005 Hotchkin ..... 404/10  
2009/0039328 A1 \* 2/2009 Davidson ..... 256/66  
2010/0077954 A1 \* 4/2010 Eigel ..... 116/209

(75) Inventor: **Martin W. Macey**, Draper, UT (US)

\* cited by examiner

(73) Assignee: **Infinity Times Infinity, LLC**, Holladay, UT (US)

*Primary Examiner*—Caron Veynar

*Assistant Examiner*—George D Kirschbaum

(\*\*) Term: **14 Years**

(74) *Attorney, Agent, or Firm*—Kirton & McConkie; Evan R. Witt

(21) Appl. No.: **29/342,680**

(57) **CLAIM**

(22) Filed: **Aug. 28, 2009**

The ornamental design for a riser for marking and detecting a small underground utility, as shown and described.

(51) **LOC (9) Cl.** ..... **10-05**

(52) **U.S. Cl.** ..... **D10/109**

(58) **Field of Classification Search** ..... D10/109;  
116/211, 209, 234, 63 R, 63 P, 63 C, 63 T;  
404/9–16; D25/132

**DESCRIPTION**

FIG. 1 is a top, side and front perspective view of the riser for marking and detecting a small underground utility. The broken line illustration of a compartment is not part of the design.

See application file for complete search history.

FIG. 2 is a top view thereof.

(56) **References Cited**

FIG. 3 is a front view thereof.

**U.S. PATENT DOCUMENTS**

FIG. 4 is a left side view thereof, the right side view being a mirror image thereof.

- 3,091,997 A \* 6/1963 Byrd ..... 404/10
- 3,913,518 A \* 10/1975 Kaplan ..... 116/63 C
- 4,779,955 A \* 10/1988 Schmanski ..... 359/552
- D387,438 S \* 12/1997 Mudryk et al. .... D25/132
- 5,879,103 A \* 3/1999 Baillie ..... 404/9
- 6,095,081 A \* 8/2000 Gochenour ..... 116/209
- 6,182,600 B1 \* 2/2001 Brown et al. .... 116/63 C
- D445,054 S \* 7/2001 Despino et al. .... D10/113
- 6,286,450 B1 \* 9/2001 Murrin et al. .... 116/209
- 6,321,679 B1 \* 11/2001 Murrin et al. .... 116/209
- D456,294 S \* 4/2002 McDonald et al. .... D10/109
- 6,823,814 B2 \* 11/2004 Bukky ..... 116/209

FIG. 5 is a back side view thereof.

FIG. 6 is a bottom view thereof; and,

FIG. 7 is another top, side and front perspective view of the riser for marking and detecting a small underground utility as it might be used in conjunction with an underground utility and a beaded cable. The broken line illustrations of the underground utility, the beaded cable and the compartment are not part of the design.

**1 Claim, 7 Drawing Sheets**

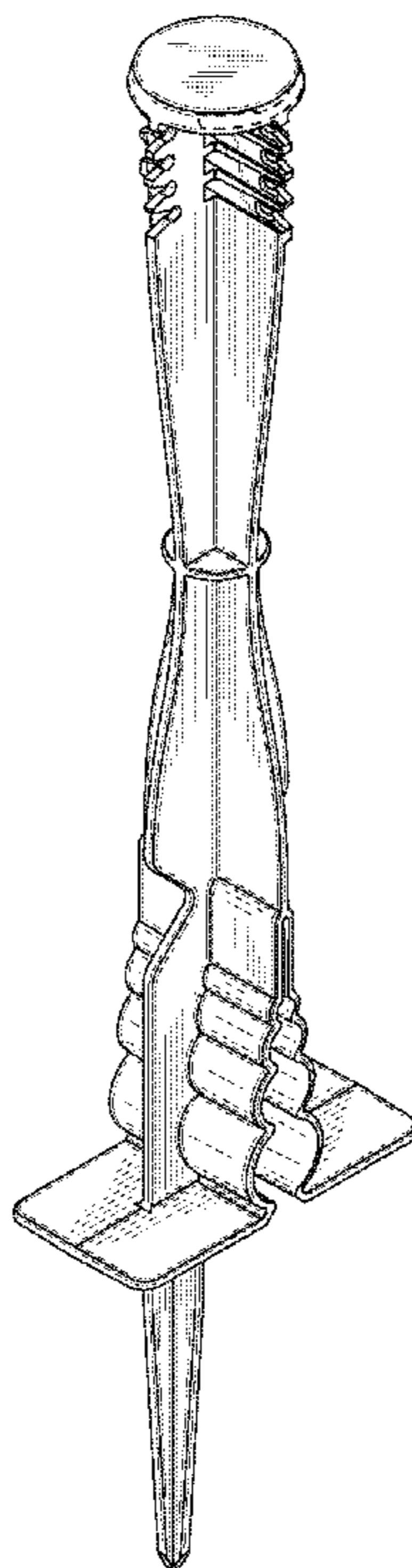


FIG. 1

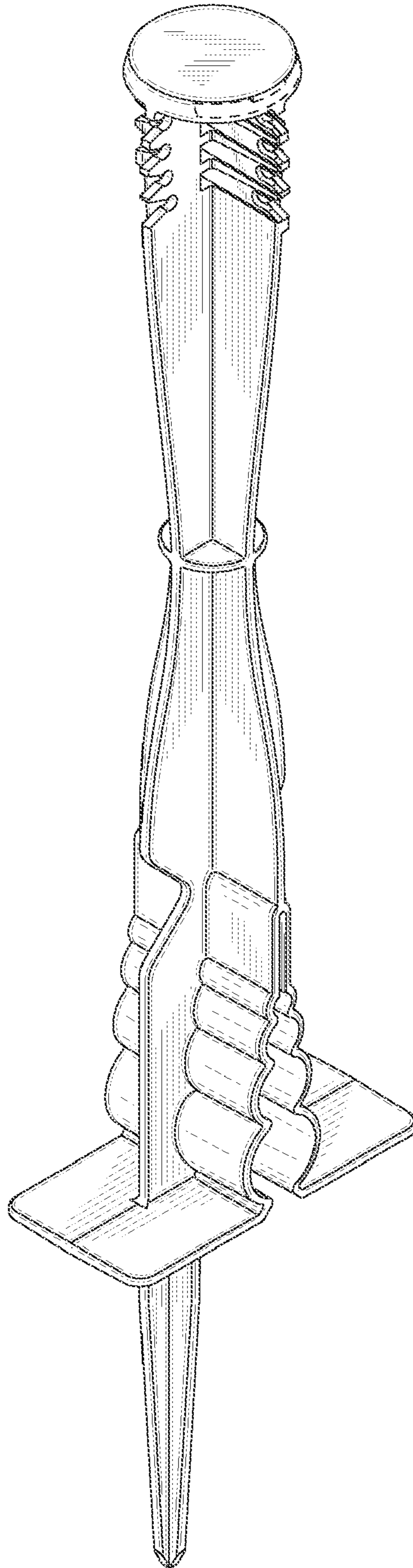


FIG. 2

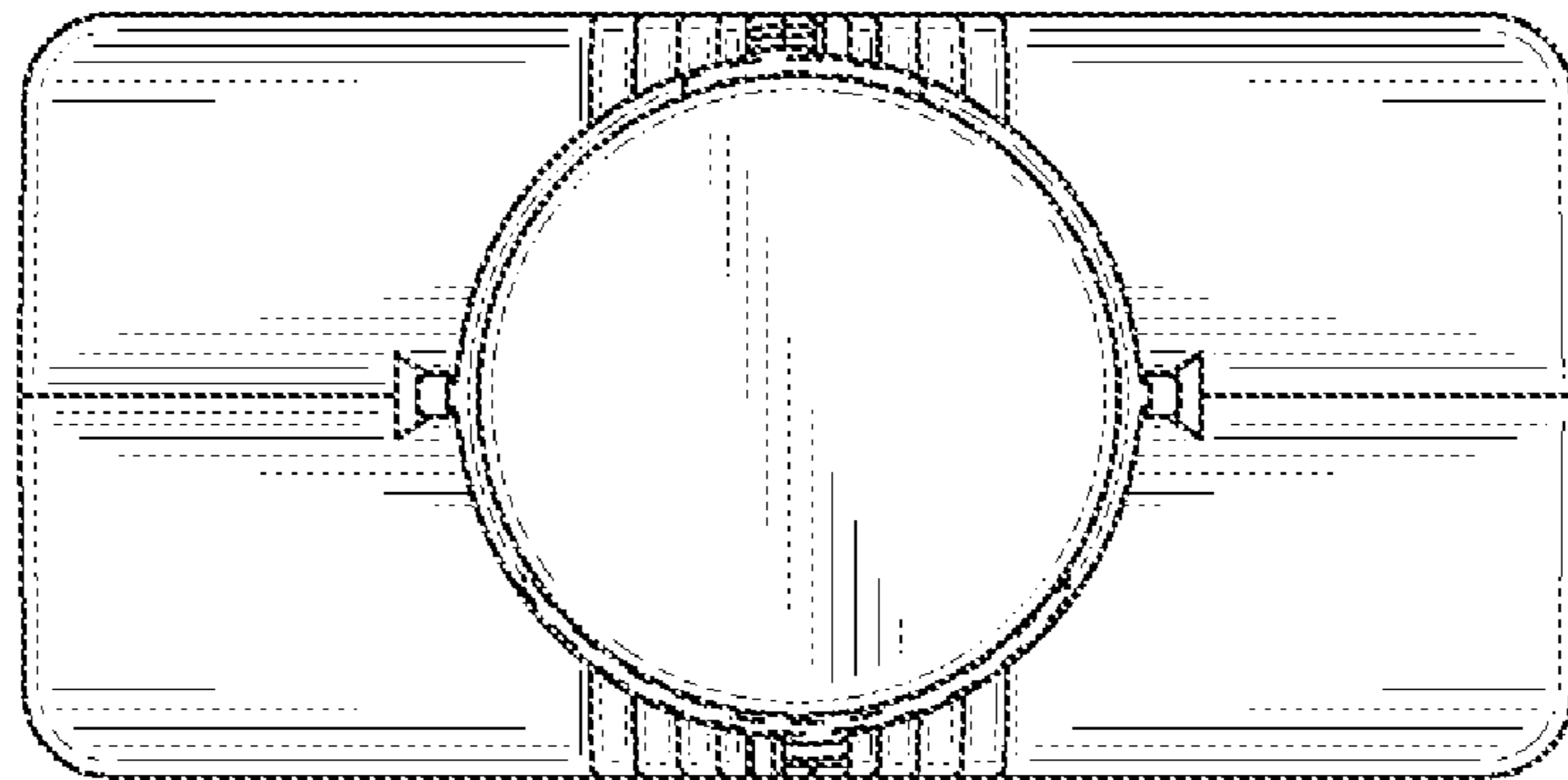


FIG. 3

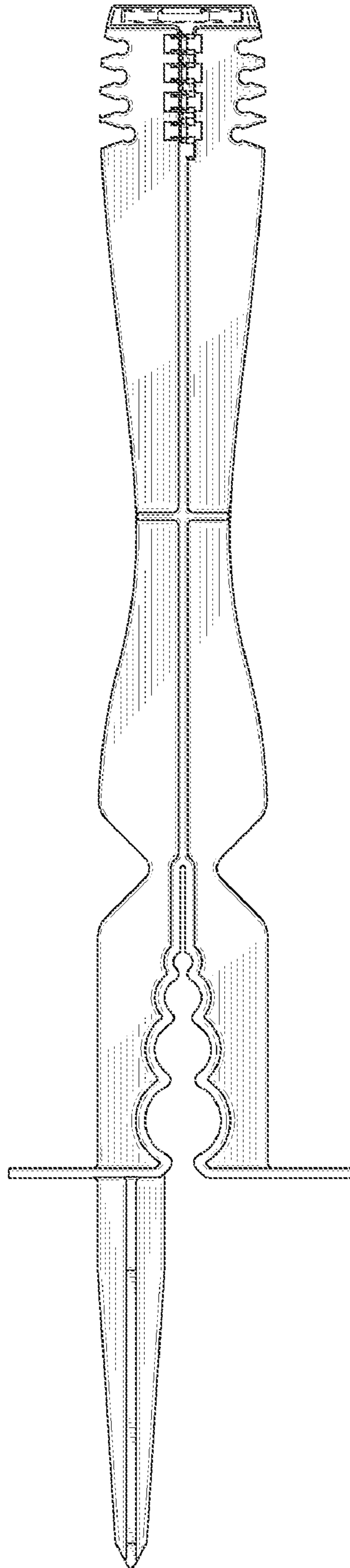


FIG. 4

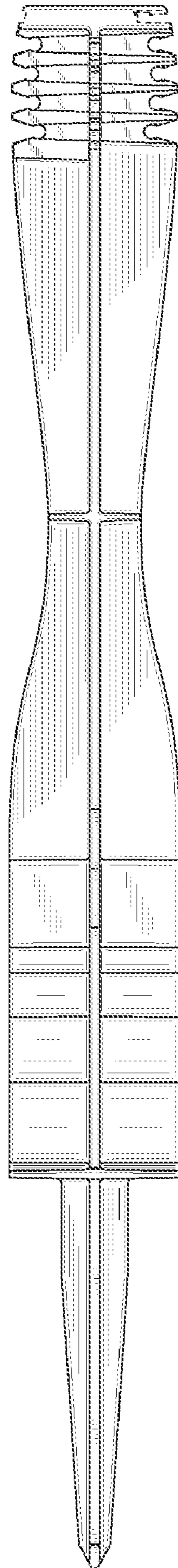


FIG. 5

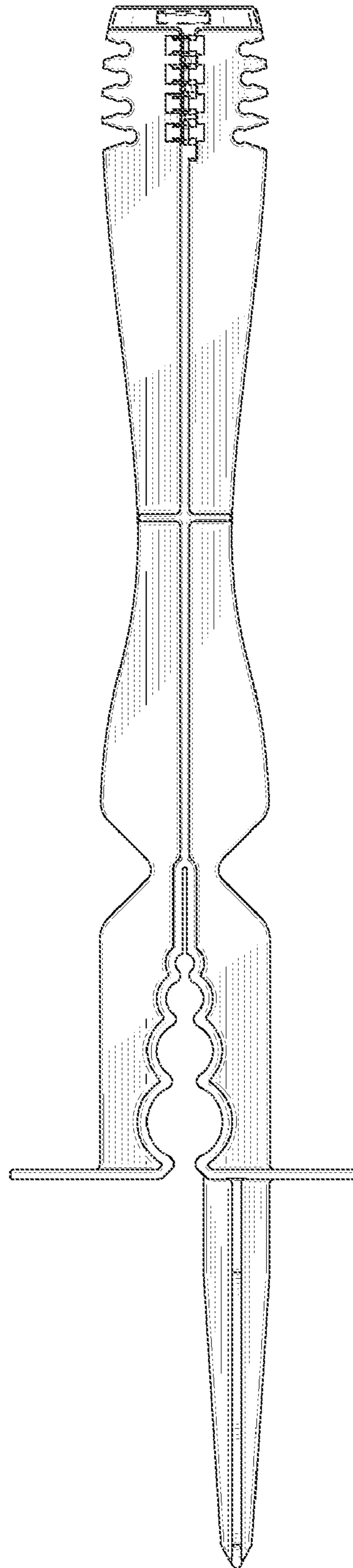


FIG. 6

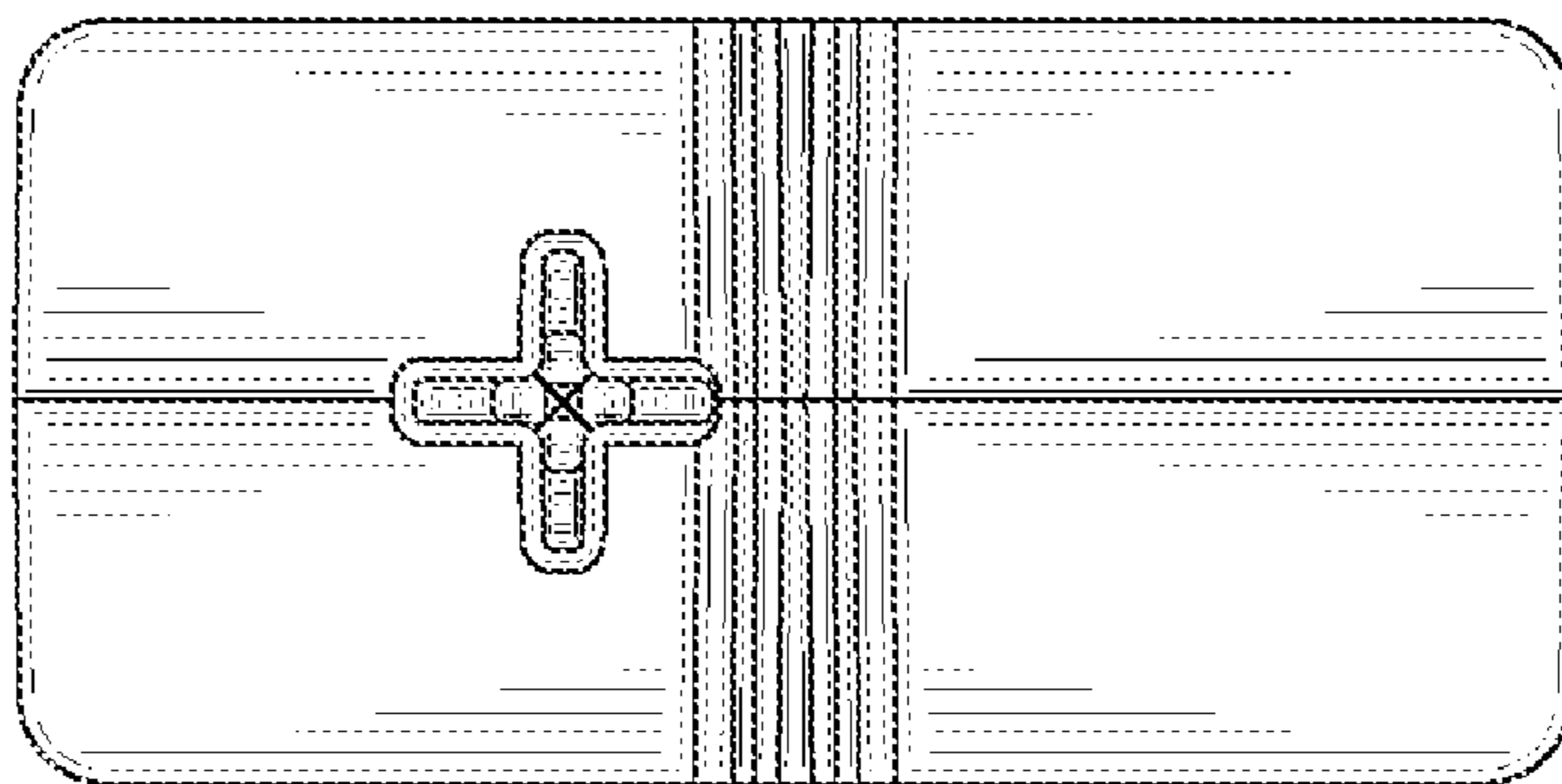


FIG. 7

