



US00D632195S

(12) **United States Design Patent**  
**Daniel**

(10) **Patent No.:** **US D632,195 S**  
(45) **Date of Patent:** **\*\* Feb. 8, 2011**

(54) **SINGLE MODULE COVERT ALARM  
LOCATOR APPARATUS**

(76) Inventor: **Sayo Isaac Daniel**, 848 Brickell Key Dr.,  
#3402, Miami, FL (US) 33131

(\*\*) Term: **14 Years**

(21) Appl. No.: **29/302,737**

(22) Filed: **Jan. 23, 2008**

(51) **LOC (9) Cl.** ..... **10-05**

(52) **U.S. Cl.** ..... **D10/104**

(58) **Field of Classification Search** ..... D10/104,  
D10/106; 340/574, 539.13

See application file for complete search history.

(56) **References Cited**

U.S. PATENT DOCUMENTS

D581,303 S \* 11/2008 Concari ..... D10/104

D586,249 S \* 2/2009 Elsemore ..... D10/104

7,751,832 B2 \* 7/2010 Bartkowski ..... 455/456.1

\* cited by examiner

*Primary Examiner*—Caron Veynar

*Assistant Examiner*—George D Kirschbaum

(74) *Attorney, Agent, or Firm*—Sanford Jay Asman

(57) **CLAIM**

The ornamental design for a single module covert alarm locator apparatus, as shown and described.

**DESCRIPTION**

FIG. 1 is a front perspective view of the single module covert alarm locator apparatus of the present invention with trademarks and symbols shown in broken lines;

FIG. 2 is a front view of the single module covert alarm locator apparatus of the present invention with trademarks and symbols shown in broken lines;

FIG. 3 is a right side view of the single module covert alarm locator apparatus of the present invention;

FIG. 4 is a left side view of the single module covert alarm locator apparatus of the present invention with an opening which underlies a cap shown in broken lines;

FIG. 5 is a bottom view of the single module covert alarm locator apparatus of the present invention;

FIG. 6 is a rear view of the single module covert alarm locator apparatus of FIG. 1; and,

FIG. 7 is a rear perspective view of the single module covert alarm locator apparatus of the present invention with an opening which underlies a cap shown in broken lines.

The broken lines which define the trademarks and symbols, in FIGS. 1 and 2, and the broken lines which illustrate the opening underlying the cap, in FIGS. 4 and 7, of the claimed design form no part thereof.

**1 Claim, 7 Drawing Sheets**

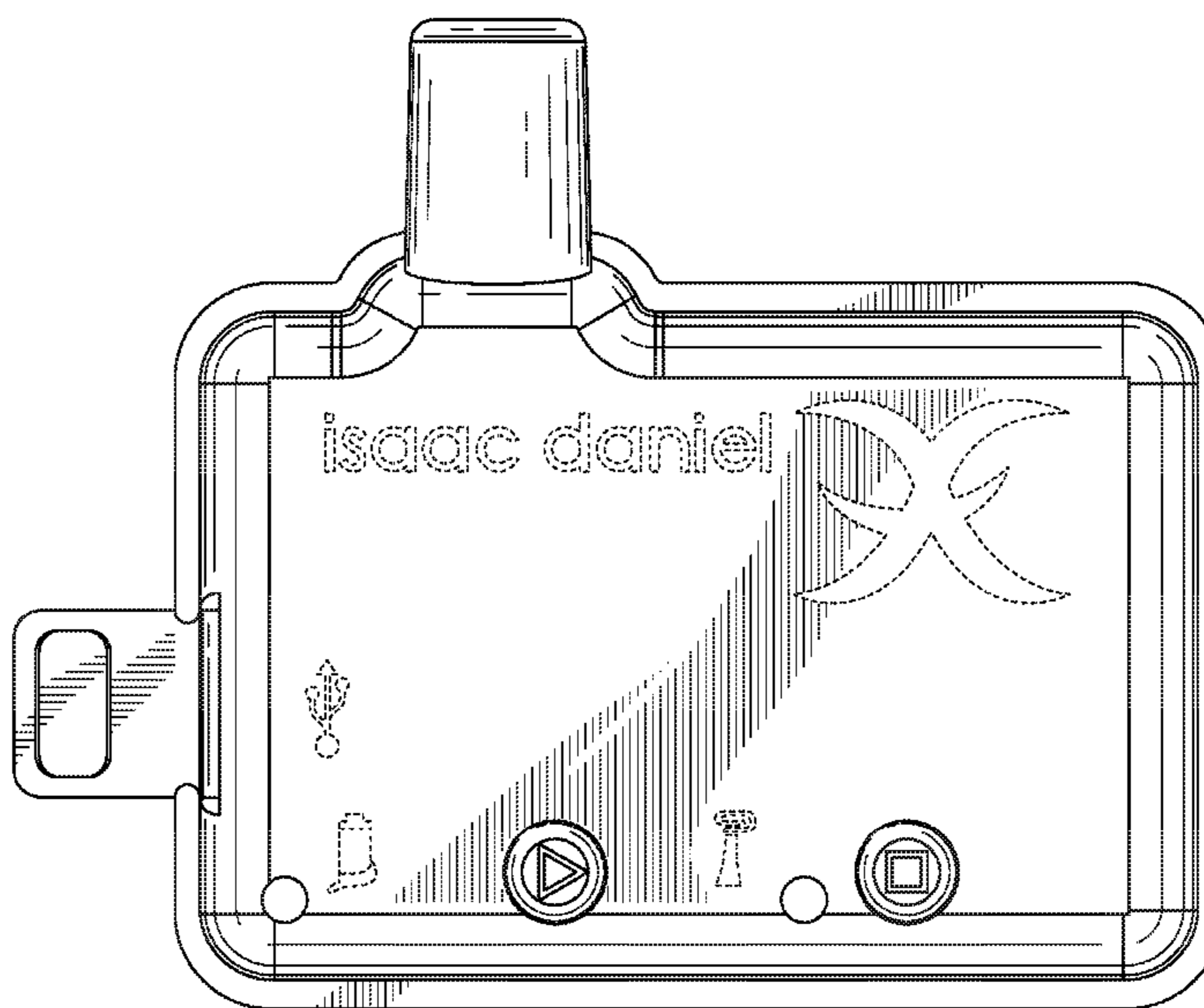




FIG. 1

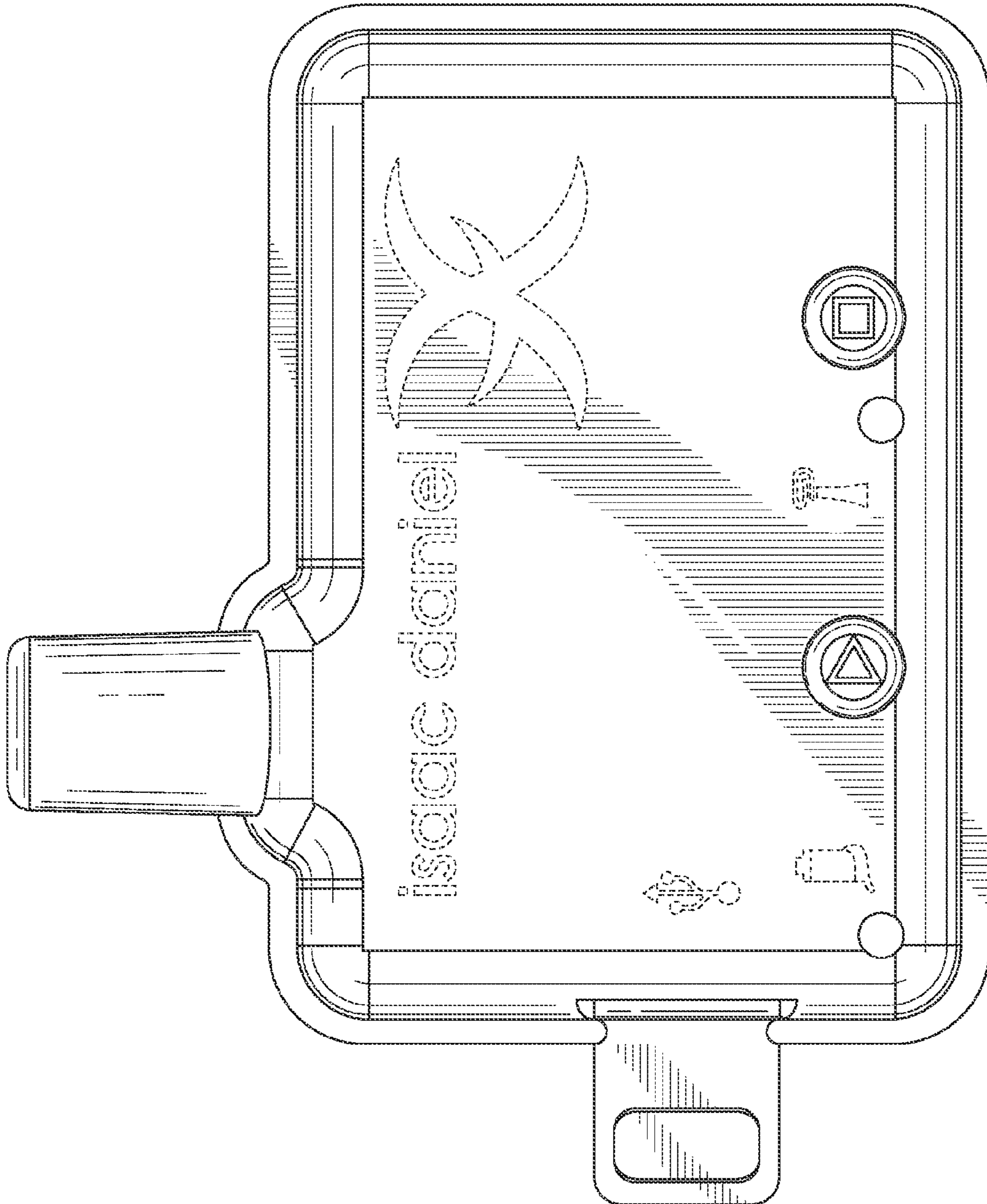


FIG. 2

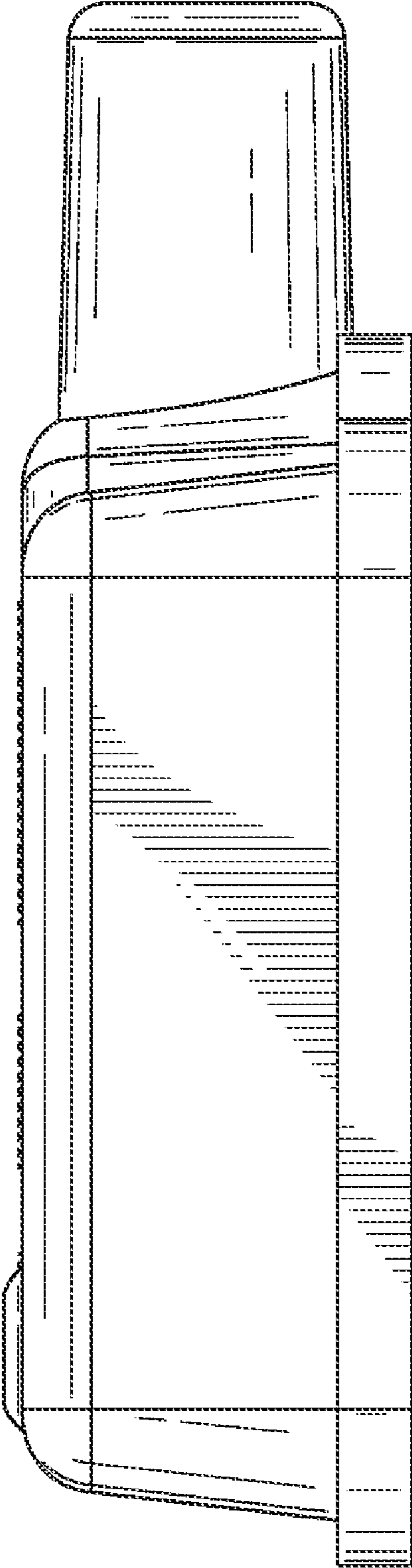
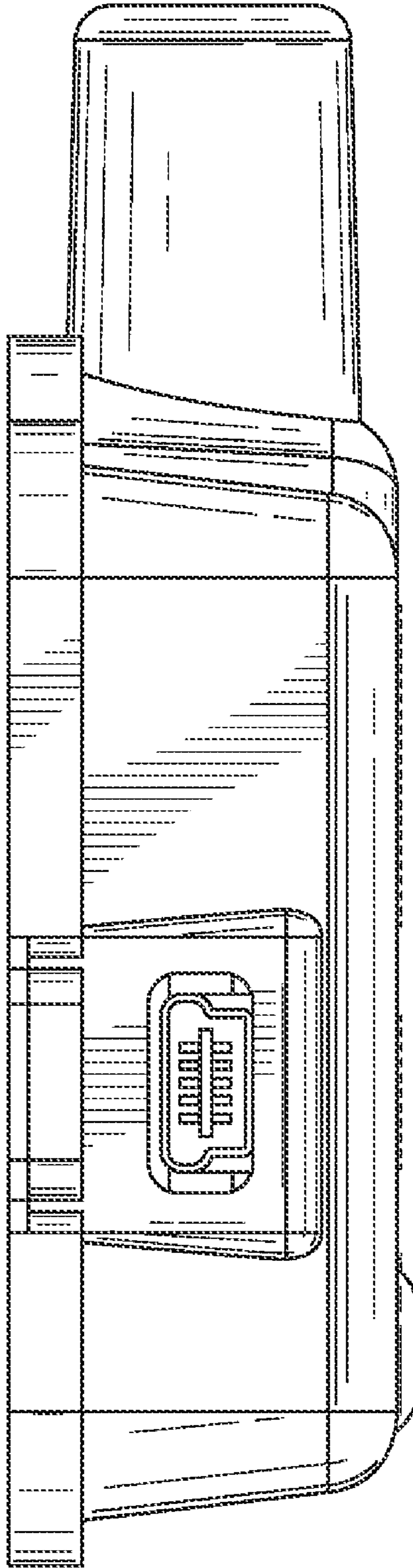


FIG. 3



**FIG. 4**

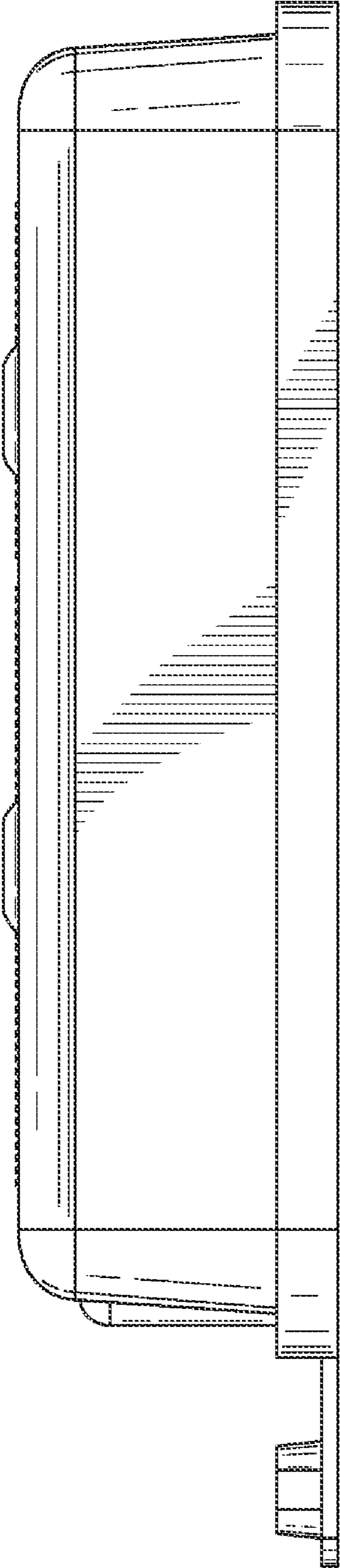


FIG. 5

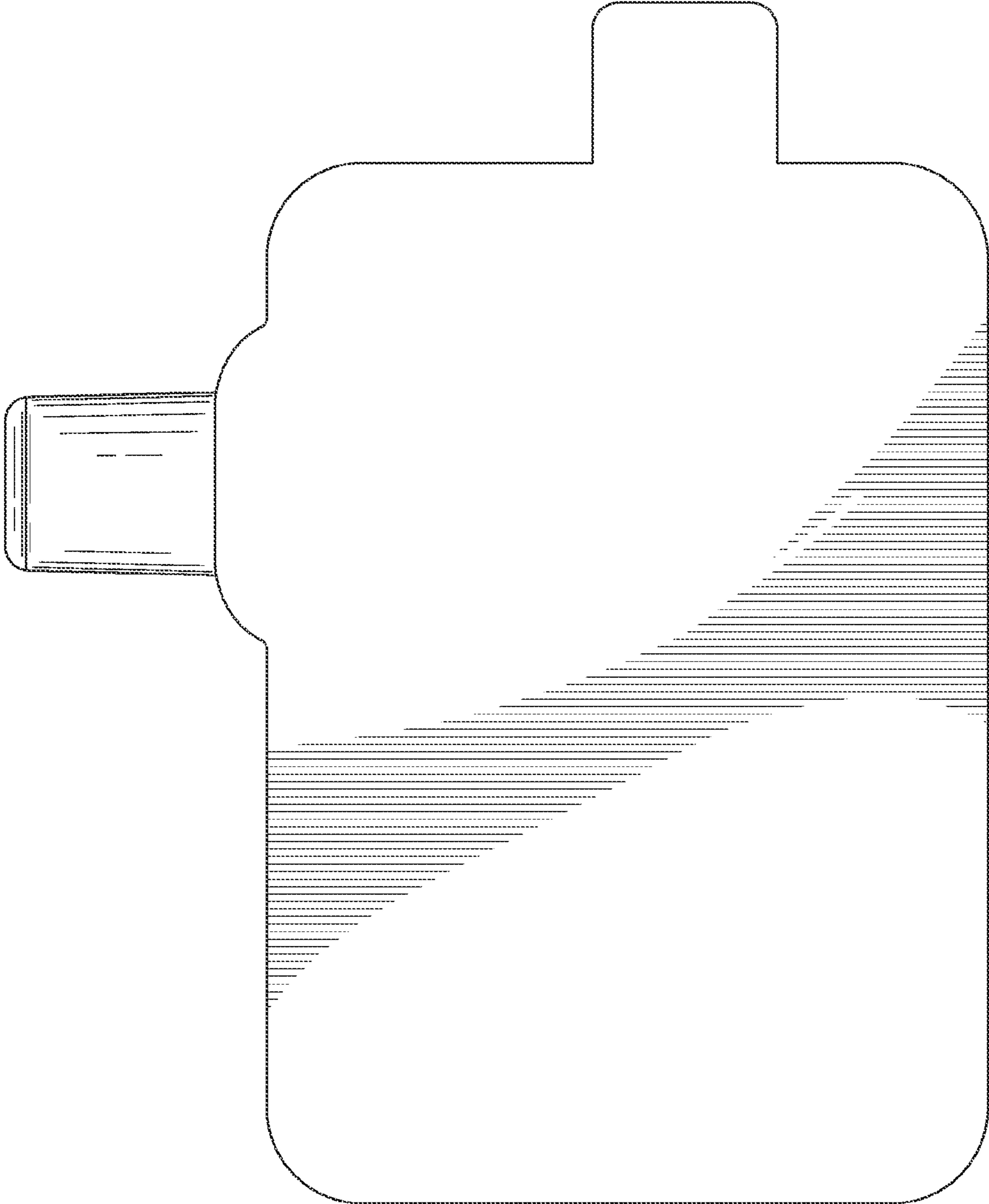
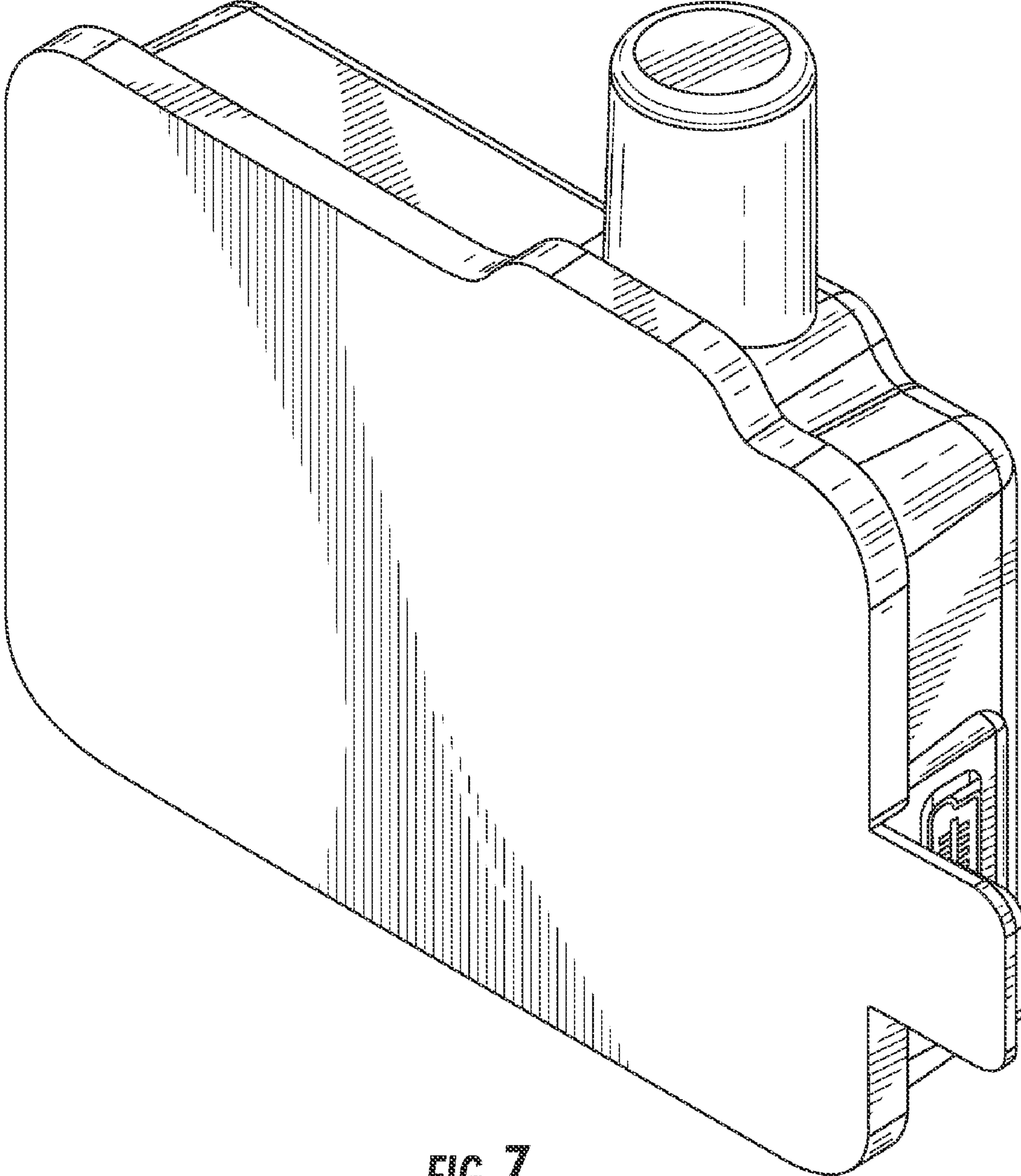


FIG. 6



**FIG. 7**