



US00D632192S

(12) **United States Design Patent**
Jorst et al.

(10) **Patent No.:** **US D632,192 S**

(45) **Date of Patent:** **** Feb. 8, 2011**

(54) **WATCH**

(75) Inventors: **Charlotte Kjolbe Jorst**, Reno, NV
(US); **Henrik Jorst**, Reno, NV (US)

(73) Assignee: **Skagen Designs, Ltd.**, Reno, NV (US)

(**) Term: **14 Years**

(21) Appl. No.: **29/370,247**

(22) Filed: **Jun. 21, 2010**

(51) **LOC (9) Cl.** **10-02**

(52) **U.S. Cl.** **D10/38**

(58) **Field of Classification Search** D10/30-39;
368/276, 281, 282, 285
See application file for complete search history.

(56) **References Cited**

U.S. PATENT DOCUMENTS

D289,018 S *	3/1987	Williams	D10/31
D382,211 S *	8/1997	Bodino	D10/30
D420,293 S *	2/2000	Parmigiani	D10/30
D473,797 S *	4/2003	Berliat	D10/30
D489,272 S *	5/2004	Messmer	D10/38
D490,000 S *	5/2004	Lassigne	D10/32
D515,947 S *	2/2006	Jorst et al.	D10/39

D518,389 S *	4/2006	Jorst et al.	D10/38
D545,221 S *	6/2007	Jorst et al.	D10/32
D563,799 S *	3/2008	Holtzman	D10/39
D566,582 S *	4/2008	Genender et al.	D10/38
D572,606 S *	7/2008	Lillegard	D10/30
D592,977 S *	5/2009	Furetta	D10/32
D613,621 S *	4/2010	Jorst et al.	D10/39
D615,880 S *	5/2010	Jorst et al.	D10/38

* cited by examiner

Primary Examiner—Lucy Lieberman

(57) **CLAIM**

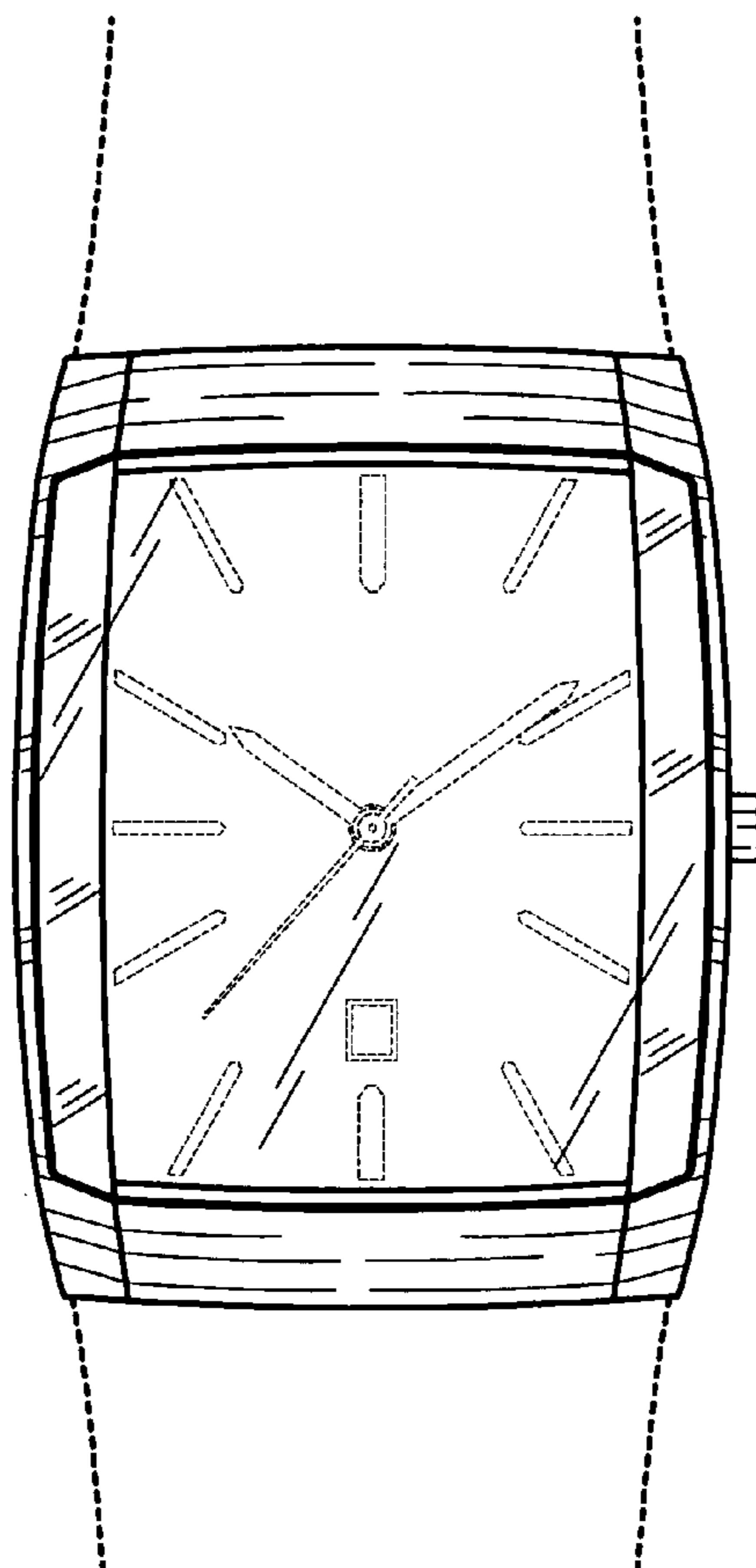
The ornamental design for a watch, as shown and described.

DESCRIPTION

FIG. 1 is a front elevation of a watch showing our new design;
FIG. 2 is a right side elevation thereof;
FIG. 3 is a left side elevation thereof;
FIG. 4 is a rear elevation thereof;
FIG. 5 is a front and right side perspective view thereof; and,
FIG. 6 is an end view thereof.

The broken lines in the drawings are for illustrative purposes only and do not form part of the claimed design.

1 Claim, 2 Drawing Sheets



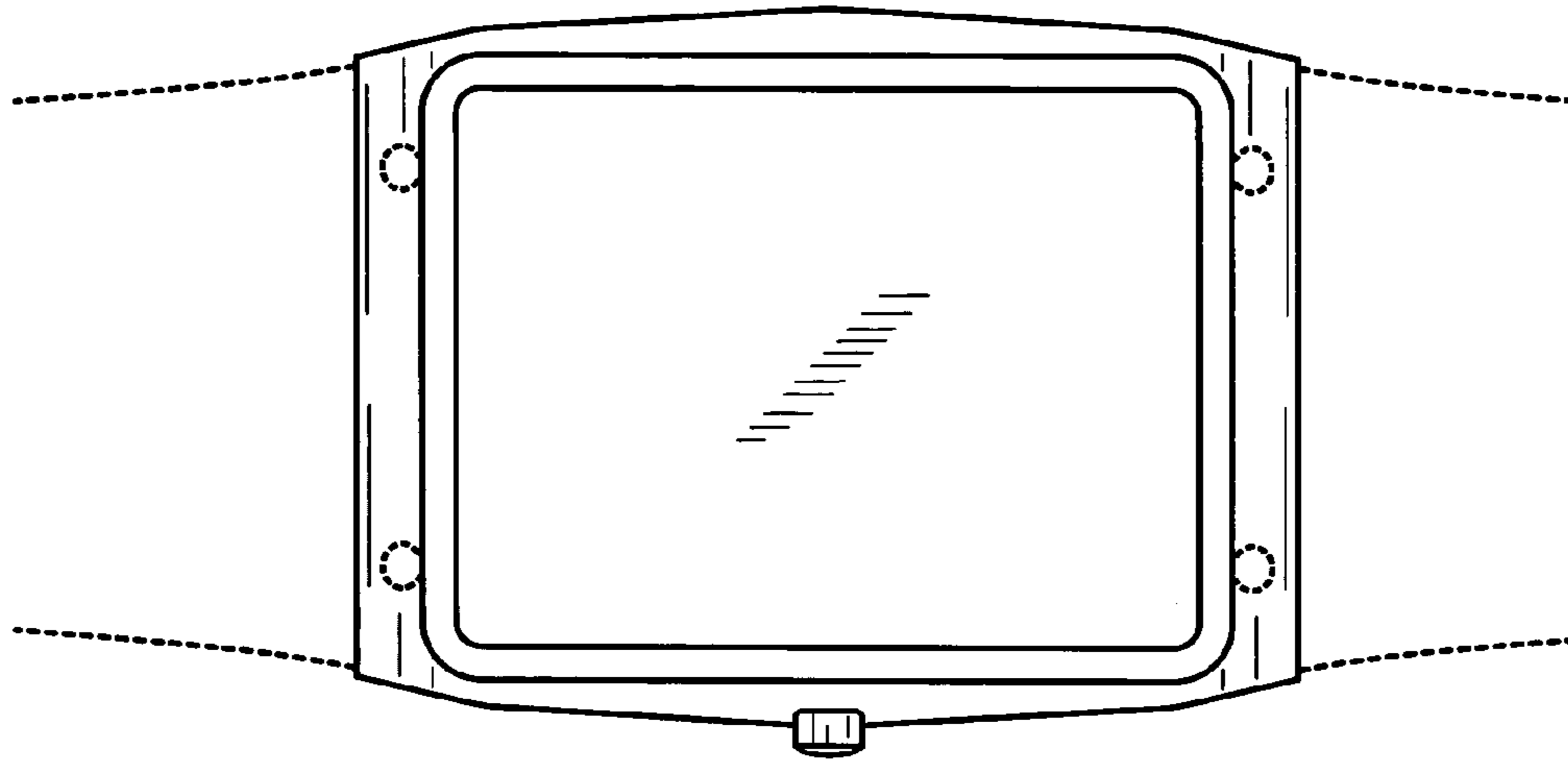


FIG 4

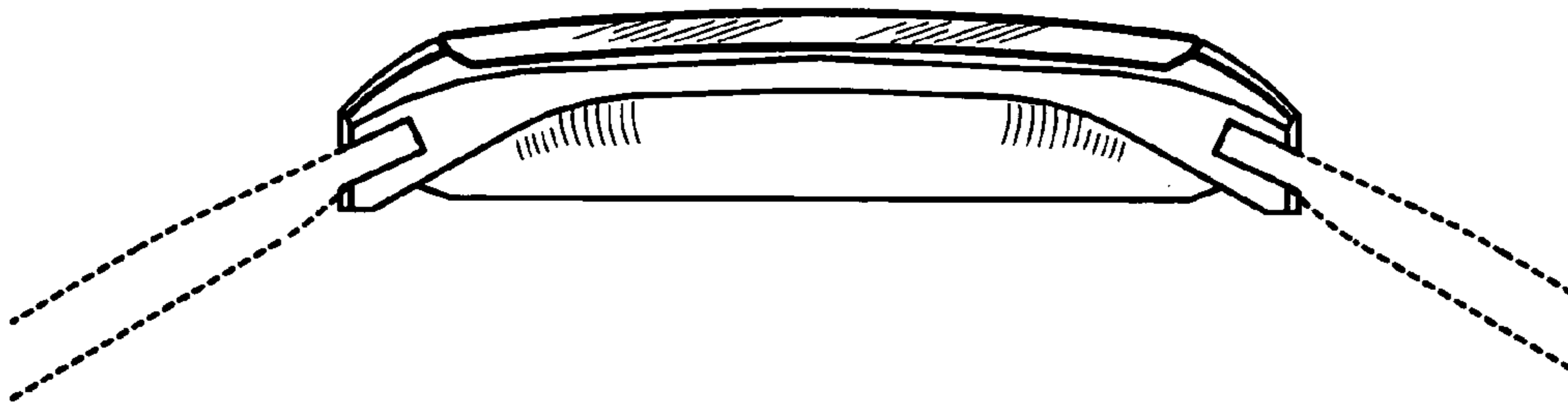


FIG 3

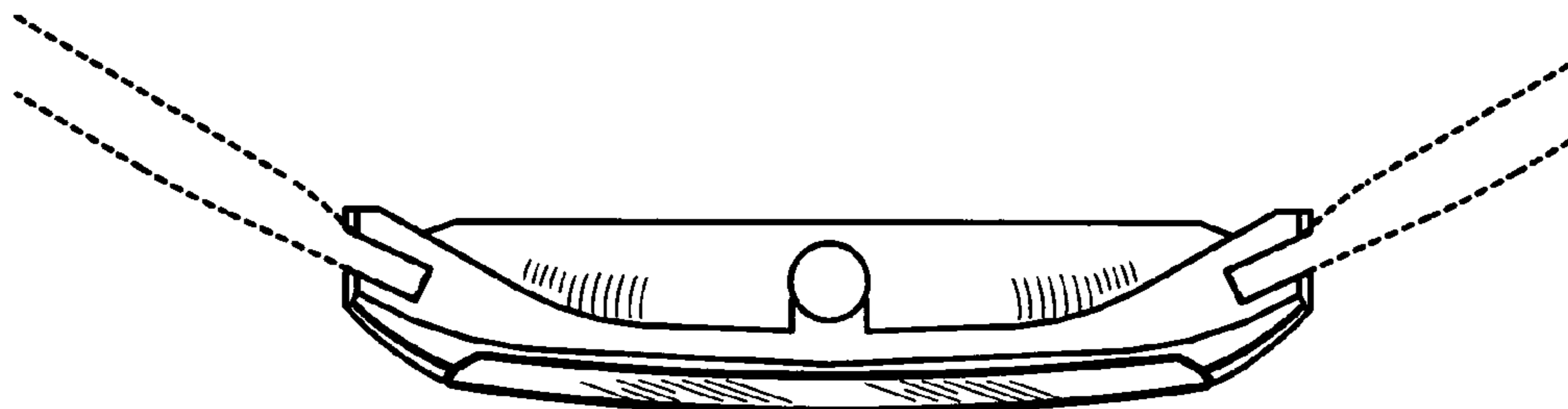


FIG 2

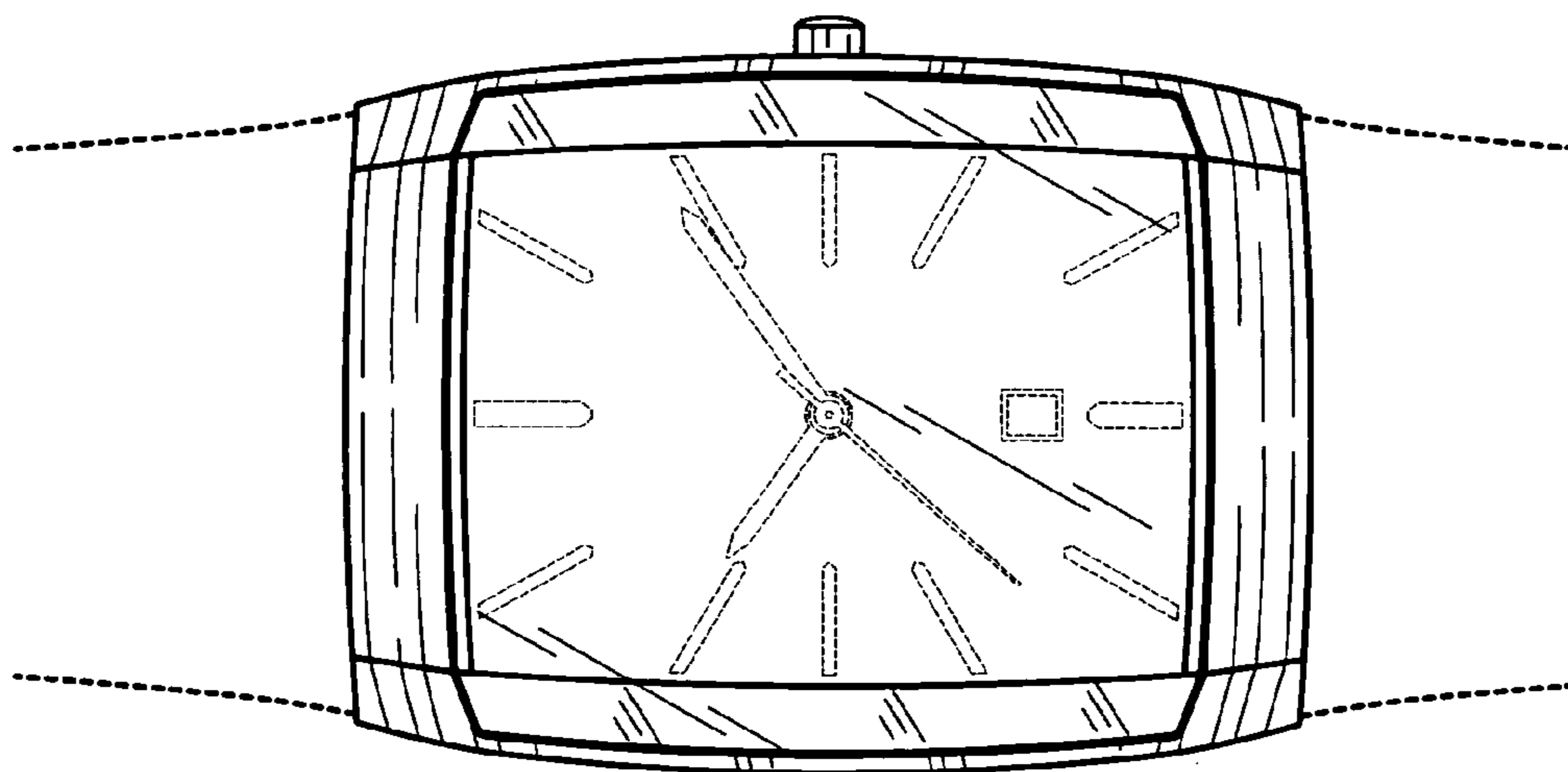


FIG 1

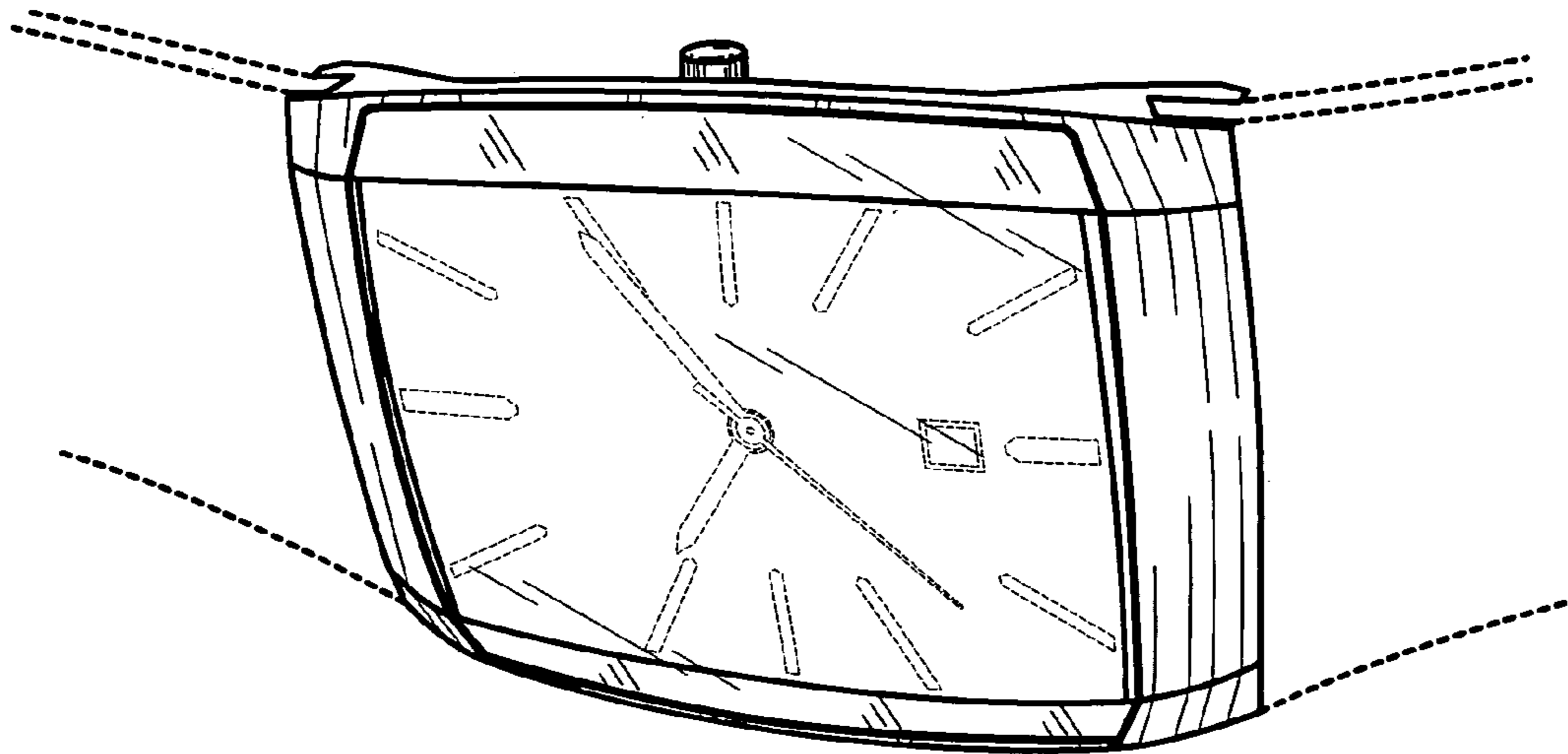


FIG 5

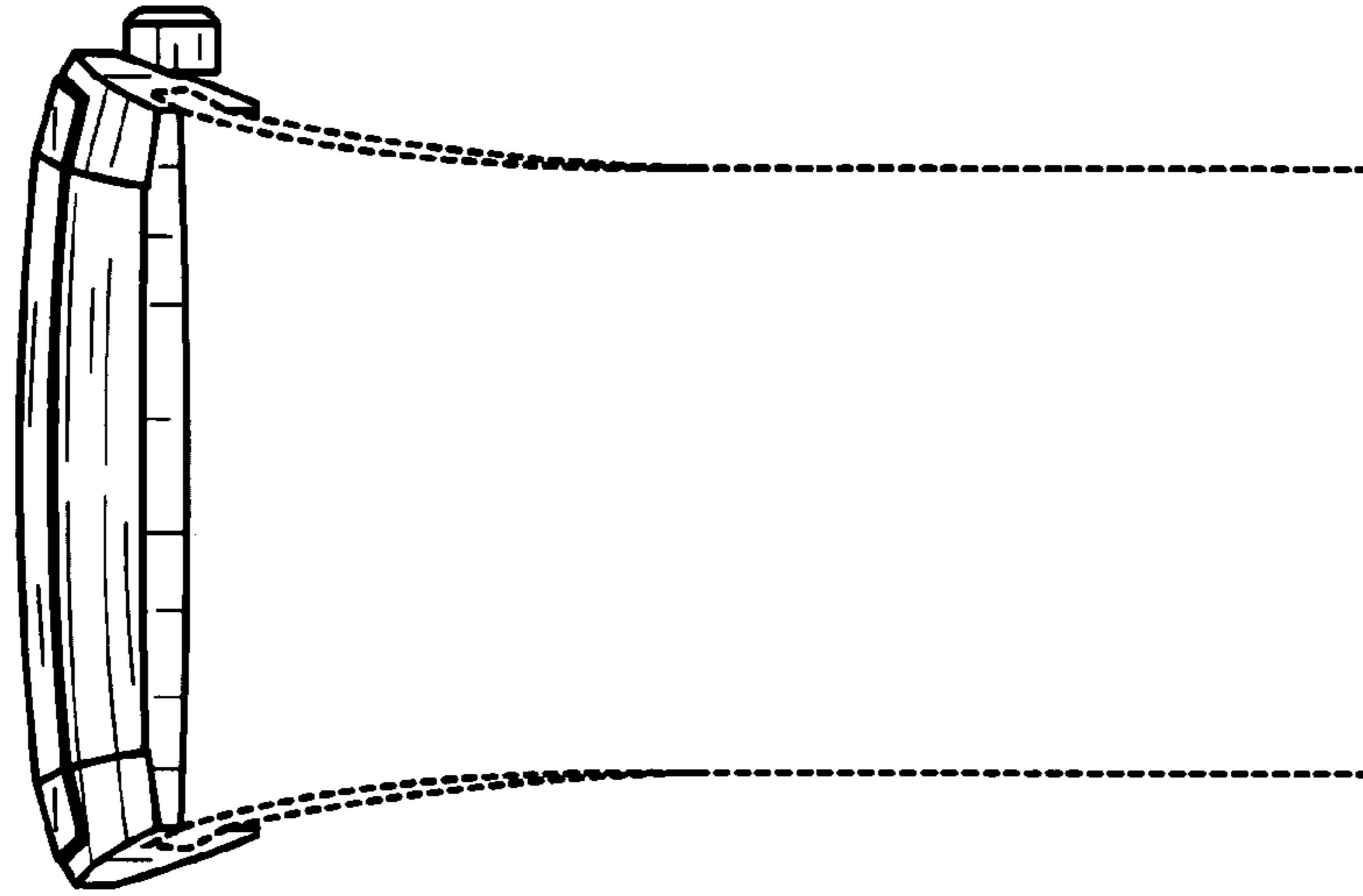


FIG 6