



US00D632186S

(12) **United States Design Patent**  
**Fischer**

(10) **Patent No.:** **US D632,186 S**  
(45) **Date of Patent:** **\*\* Feb. 8, 2011**

(54) **COMBINED CAP AND SUBSTANCE APPLICATOR**

3,885,495 A 5/1975 Funahashi  
D242,225 S 11/1976 Sinclair  
D250,248 S 11/1978 Grip  
D255,653 S 7/1980 Lipsz  
D255,989 S 7/1980 Lipsz  
D264,937 S 6/1982 Groark  
4,387,816 A 6/1983 Weckman  
D274,697 S 7/1984 Venne

(75) Inventor: **Jeffrey H. Fischer**, Warminster, PA (US)

(73) Assignee: **Clarence J. Venne, LLC**, Bristol, PA (US)

(\*\*) Term: **14 Years**

(21) Appl. No.: **29/358,927**

(Continued)

(22) Filed: **Apr. 1, 2010**

FOREIGN PATENT DOCUMENTS

(51) **LOC (9) Cl.** ..... **09-01**

AU 129696 4/1997

(52) **U.S. Cl.** ..... **D9/726**

(58) **Field of Classification Search** ..... D9/503,  
D9/504, 723, 724, 725, 726, 727, 729; D28/7,  
D28/76, 85-89; 220/581, 823; 401/209-220,  
401/273

(Continued)

See application file for complete search history.

*Primary Examiner*—Shanda C Hill  
(74) *Attorney, Agent, or Firm*—Neal, Gerber & Eisenberg LLP

(56) **References Cited**

(57) **CLAIM**

U.S. PATENT DOCUMENTS

The ornamental design for combined cap and substance applicator, as shown and described.

- D112,198 S 11/1938 Kihn
- D128,406 S 7/1941 Soontup et al.
- D138,621 S 8/1944 White
- 2,356,399 A 8/1944 Hansen
- D161,698 S 1/1951 Lorenzen
- D187,719 S 4/1960 Champion et al.
- D188,134 S 6/1960 Neubauer
- D190,058 S 4/1961 Koenigsberg
- D190,889 S 7/1961 Koenigsberg
- D192,827 S 5/1962 Denhoff et al.
- D194,132 S 11/1962 Countryman
- D195,007 S 4/1963 Black
- 3,331,521 A 7/1967 Paige
- D209,715 S 12/1967 Ninesling et al.
- D209,866 S 1/1968 Manhes
- D211,004 S 5/1968 Campbell
- 3,436,163 A 4/1969 Calabrese et al.
- D219,098 S 11/1970 Hills
- D220,248 S 3/1971 Blumenthal
- D222,336 S 10/1971 Leary
- D223,438 S 4/1972 Parera

**DESCRIPTION**

FIG. 1 is a perspective view of a combined cap and substance applicator showing my new design;  
FIG. 2 is a front elevational the substance applicator of the combined cap and substance applicator, the rear elevational view being a mirror image;  
FIG. 3 is a left side elevational view of thereof, the right side elevational view being a mirror image;  
FIG. 4 is a top plan view thereof;  
FIG. 5 is a bottom plan view thereof; and,  
FIG. 6 is an exploded view of the combined cap and substance applicator.  
All sides not shown form no part of the claimed design.

**1 Claim, 3 Drawing Sheets**



# US D632,186 S

## U.S. PATENT DOCUMENTS

D290,228 S	6/1987	Conrad	
4,795,156 A	1/1989	Paulish	
D300,118 S	3/1989	Venne et al.	
4,863,171 A	9/1989	Rocheleau	
4,869,611 A	9/1989	Noll	
D303,926 S	10/1989	Venne	
D310,249 S	8/1990	LaLonde	
4,946,053 A	8/1990	Conrad	
D326,118 S	5/1992	Black	
5,117,993 A	6/1992	Vesborg	
D332,050 S	12/1992	Schmidt	
D334,399 S	3/1993	Ziegler	
5,222,823 A	6/1993	Conforti	
D337,939 S	8/1993	Smith, Jr.	
D345,376 S	3/1994	Underwood, Jr.	
D352,242 S	11/1994	Crawford et al.	
5,419,592 A	5/1995	Stuart	
D367,293 S	2/1996	Williams	
D367,943 S	3/1996	Tien	
D381,042 S	7/1997	Roche	
D389,365 S	1/1998	Lipson	
D389,865 S	1/1998	Venne et al.	
5,713,681 A	2/1998	Venne	
D396,244 S	7/1998	Venne	
D401,270 S	11/1998	Cockram	
D403,347 S	12/1998	Cockram	
D406,054 S *	2/1999	Wagner .....	D9/725

5,927,880 A	7/1999	Allison et al.	
D414,702 S	10/1999	Bodker et al.	
D416,199 S	11/1999	Alguire et al.	
D422,748 S *	4/2000	Lang .....	D28/7
D427,914 S	7/2000	Croft et al.	
D429,845 S *	8/2000	Lang .....	D28/7
6,095,705 A	8/2000	Phillips	
D432,572 S	10/2000	Aponte-Oerning	
D443,641 S	6/2001	Mader	
D445,831 S	7/2001	Lindner	
D448,408 S	9/2001	Calabro et al.	
6,294,021 B1	9/2001	Platzcke et al.	
D451,025 S	11/2001	Meecker et al.	
D455,782 S	4/2002	Singh et al.	
D459,755 S	7/2002	Calabro et al.	
D461,502 S	8/2002	Hori	
6,913,405 B2	7/2005	Fischer et al.	
D615,419 S *	5/2010	Owen .....	D9/726
2006/0222445 A1 *	10/2006	Chuang .....	401/216
2008/0317543 A1 *	12/2008	Jackson et al. ....	401/273

## FOREIGN PATENT DOCUMENTS

AU	131389	9/1997
GB	2055154	11/1996
GB	2060203	11/1996
SE	63129	11/1998
SE	63130	11/1998

\* cited by examiner



FIG. 1

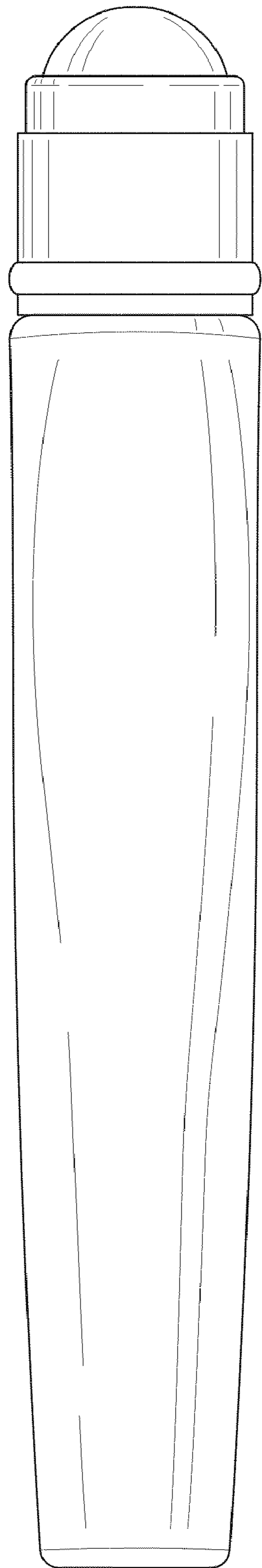


FIG. 2

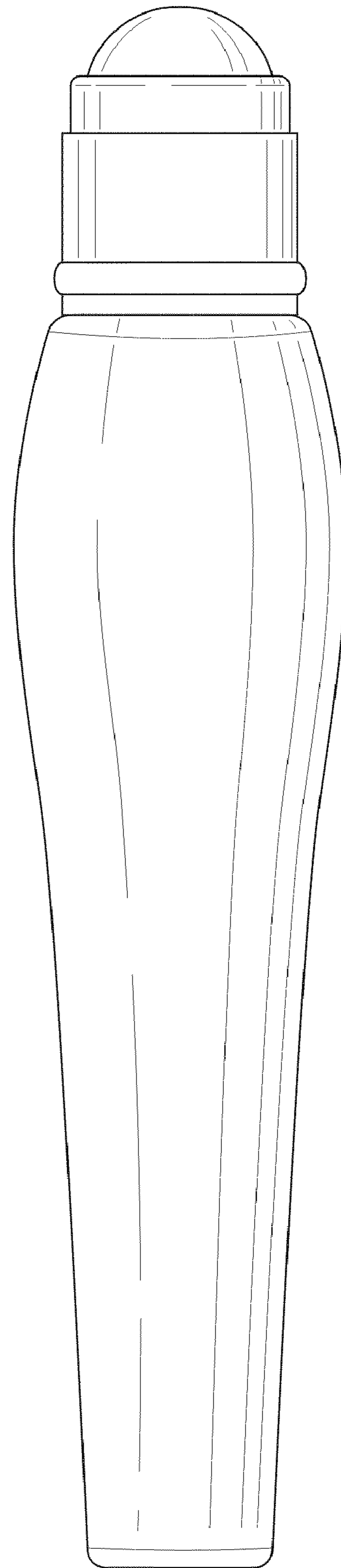


FIG. 3

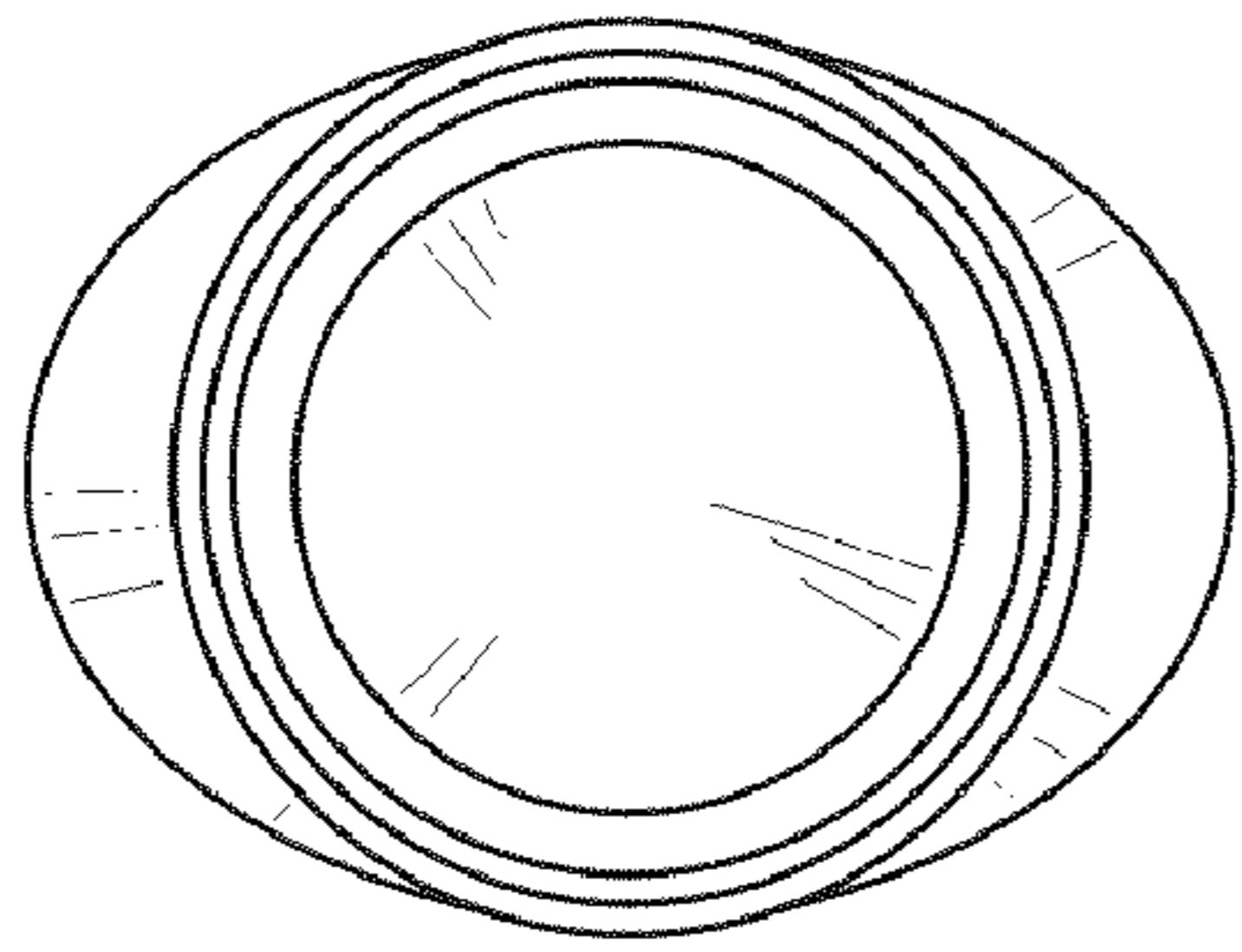


FIG. 4

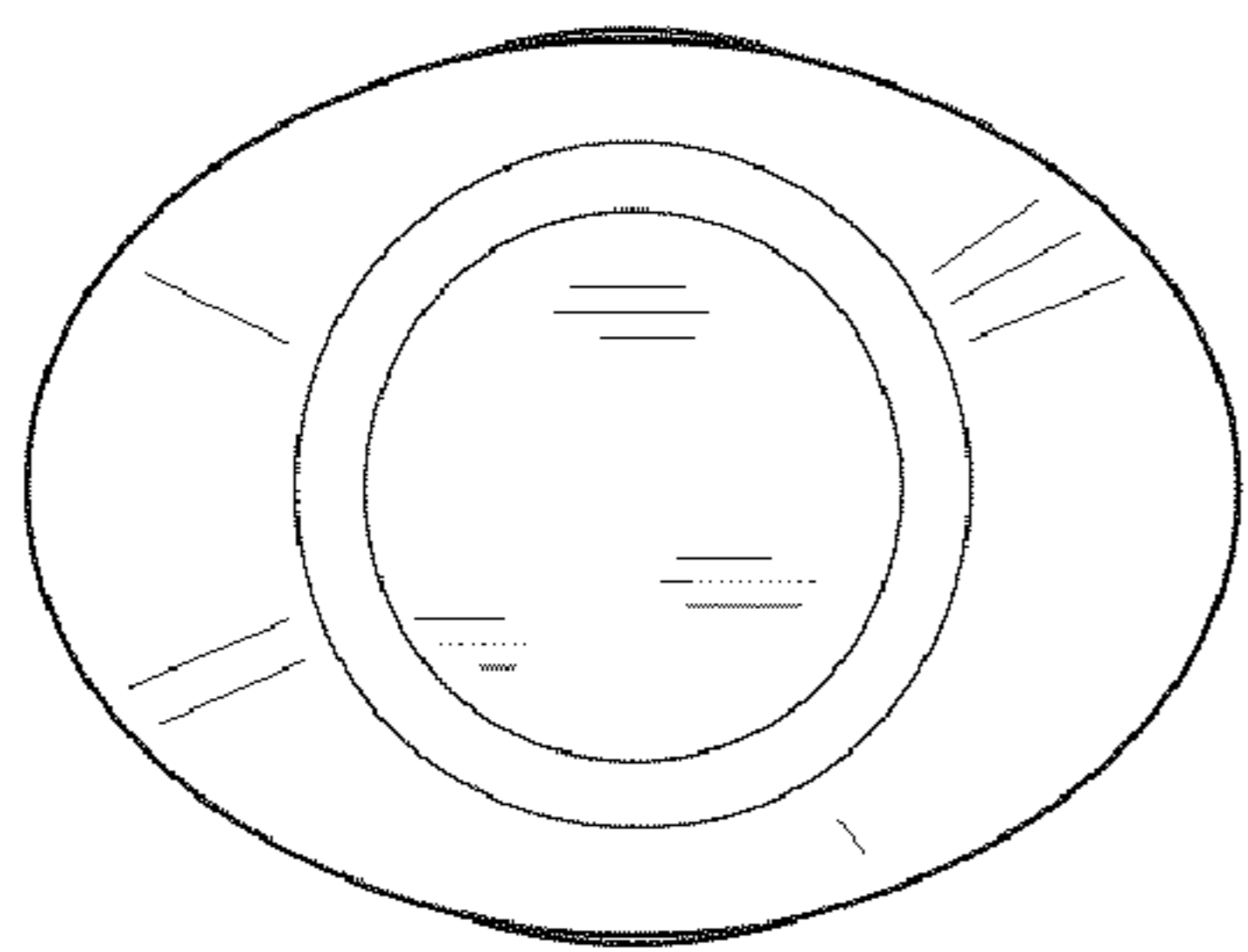


FIG. 5

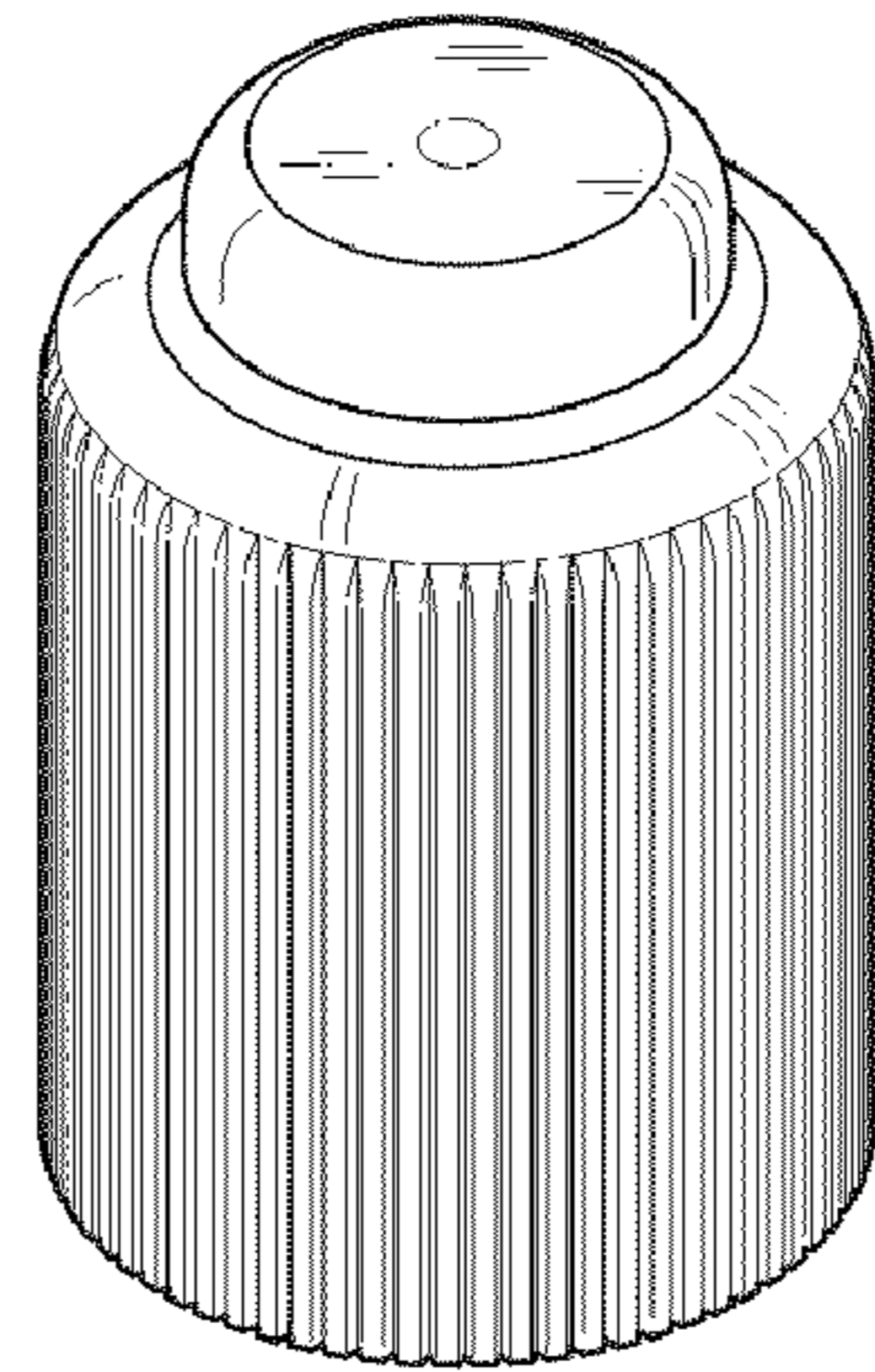


FIG. 6