



US00D632185S

(12) **United States Design Patent**
Glass et al.

(10) **Patent No.:** **US D632,185 S**
(45) **Date of Patent:** **** Feb. 8, 2011**

(54) **BOTTLE**

(75) Inventors: **Craig Glass**, Singapore (SG); **Toh Meng Lee**, Singapore (SG); **Jason Glassick**, Singapore (SG)

(73) Assignee: **Sichuan Wenjun Spirits Company Limited** (CN)

(**) Term: **14 Years**

(21) Appl. No.: **29/316,381**

(22) Filed: **Sep. 17, 2009**

(30) **Foreign Application Priority Data**

Mar. 24, 2009 (CN) 2009 3 0007648

(51) **LOC (9) Cl.** **09-01**

(52) **U.S. Cl.** **D9/667; D9/544; D9/574; D9/652**

(58) **Field of Classification Search** D9/600, D9/658, 667, 500-503, 516, 537-543, 544-546, D9/550, 563, 571-575; 206/457-458, 527; 215/379, 400; 220/890

See application file for complete search history.

(56) **References Cited**

U.S. PATENT DOCUMENTS

D55,988 S * 8/1920 Dunnook D9/544

(Continued)

Primary Examiner—Sandra Morris

(74) *Attorney, Agent, or Firm*—Ostrolenk Faber LLP

(57) **CLAIM**

The ornamental design for a bottle, as shown and described.

DESCRIPTION

FIG. 1 is a front view of the body portion of our new design for a bottle, shown separately for ease of illustration;

FIG. 2 is a rear view thereof;
FIG. 3 is a left view thereof;
FIG. 4 is a right view thereof;
FIG. 5 is a top view thereof;
FIG. 6 is a bottom view thereof; and
FIG. 7 is a perspective view thereof;
FIG. 8 is a front view of the collar portion of the bottle, shown separately for ease of illustration;
FIG. 9 is a rear view thereof;
FIG. 10 is a left view thereof;
FIG. 11 is a light view thereof;
FIG. 12 is a top view thereof;
FIG. 13 is a bottom view thereof; and
FIG. 14 is a perspective view thereof;
FIG. 15 is a front view of the stopper portion of the bottle, shown separately for ease of illustration;
FIG. 16 is a rear view thereof;
FIG. 17 is a left view thereof;
FIG. 18 is a right view thereof;
FIG. 19 is a top view thereof;
FIG. 20 is a bottom view thereof; and
FIG. 21 is a perspective thereof;
FIG. 22 is a front view of the fully assembled bottle;
FIG. 23 is a rear view thereof;
FIG. 24 is a left view thereof;
FIG. 25 is a right view thereof;
FIG. 26 is a top view thereof;
FIG. 27 is a bottom view thereof; and
FIG. 28 is a perspective view thereof.

1 Claim, 23 Drawing Sheets



US D632,185 S

Page 2

U.S. PATENT DOCUMENTS

| | | | | | | | |
|--------------|---------|----------------|--------|--------------|---------|--------------------|--------|
| D100,424 S * | 7/1936 | Guerlain | D9/546 | D420,596 S * | 2/2000 | Maddy | D9/560 |
| D201,218 S * | 5/1965 | Short | D9/546 | D428,343 S * | 7/2000 | Waitzenegger | D9/544 |
| D292,275 S * | 10/1987 | Windett | D9/563 | D441,296 S * | 5/2001 | Majerowski | D9/542 |
| D295,146 S * | 4/1988 | Carree | D9/544 | D515,432 S * | 2/2006 | Tabibi | D9/658 |
| D339,987 S * | 10/1993 | Jobit | D9/667 | D531,911 S * | 11/2006 | Lloyd | D9/546 |
| D416,807 S * | 11/1999 | Varlet | D9/560 | D551,970 S * | 10/2007 | Didier | D9/439 |

* cited by examiner



Fig. 1

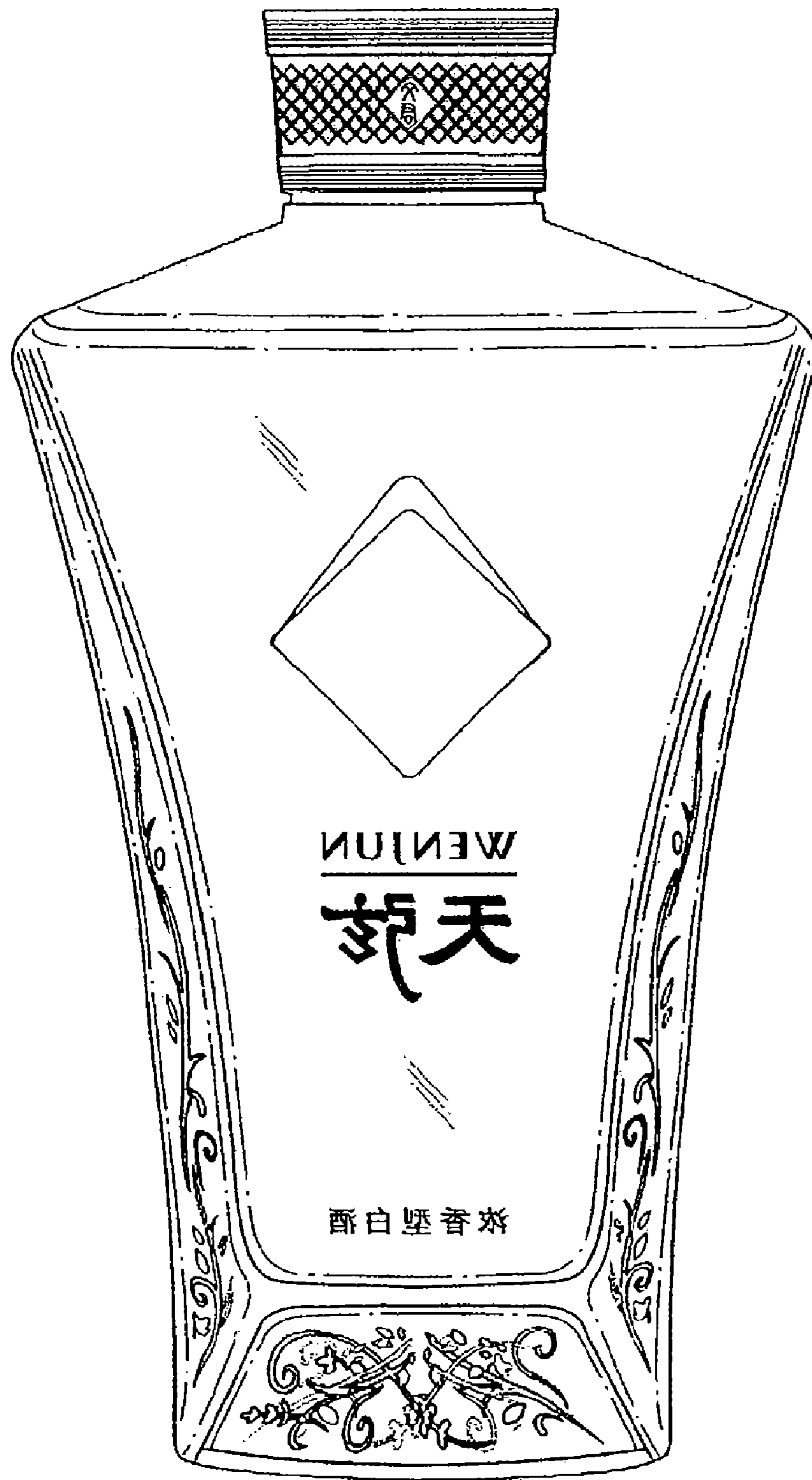


Fig. 2



Fig. 3

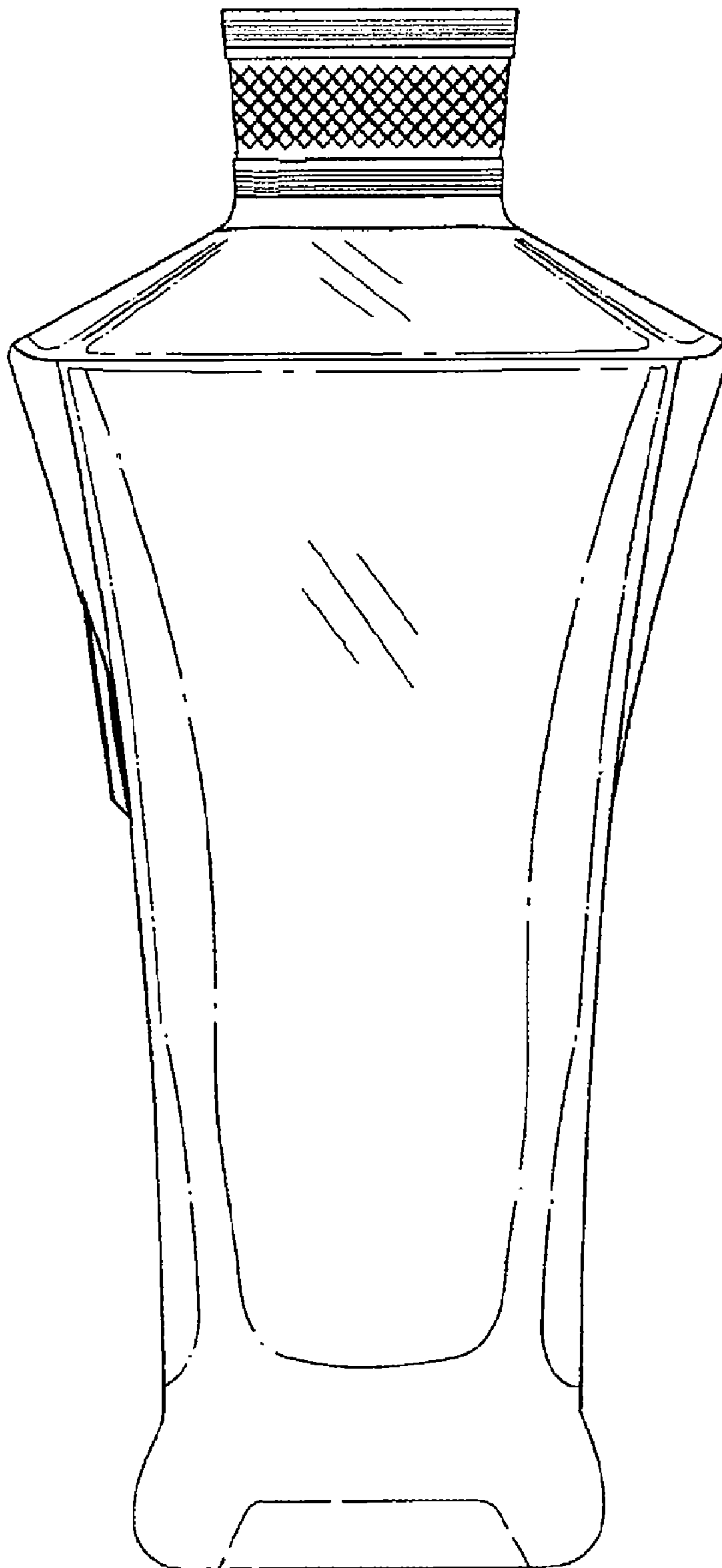


Fig. 4

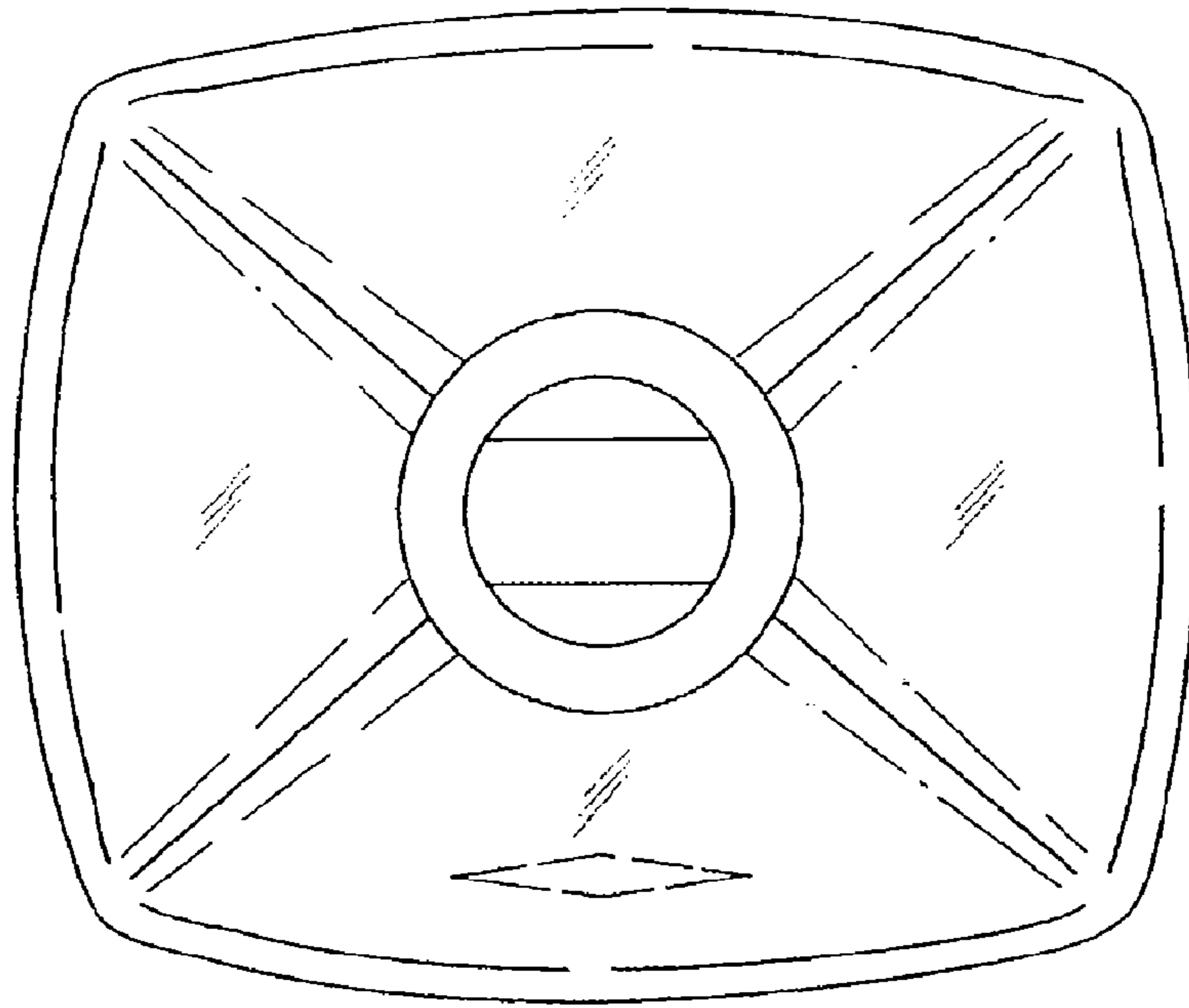


Fig. 5

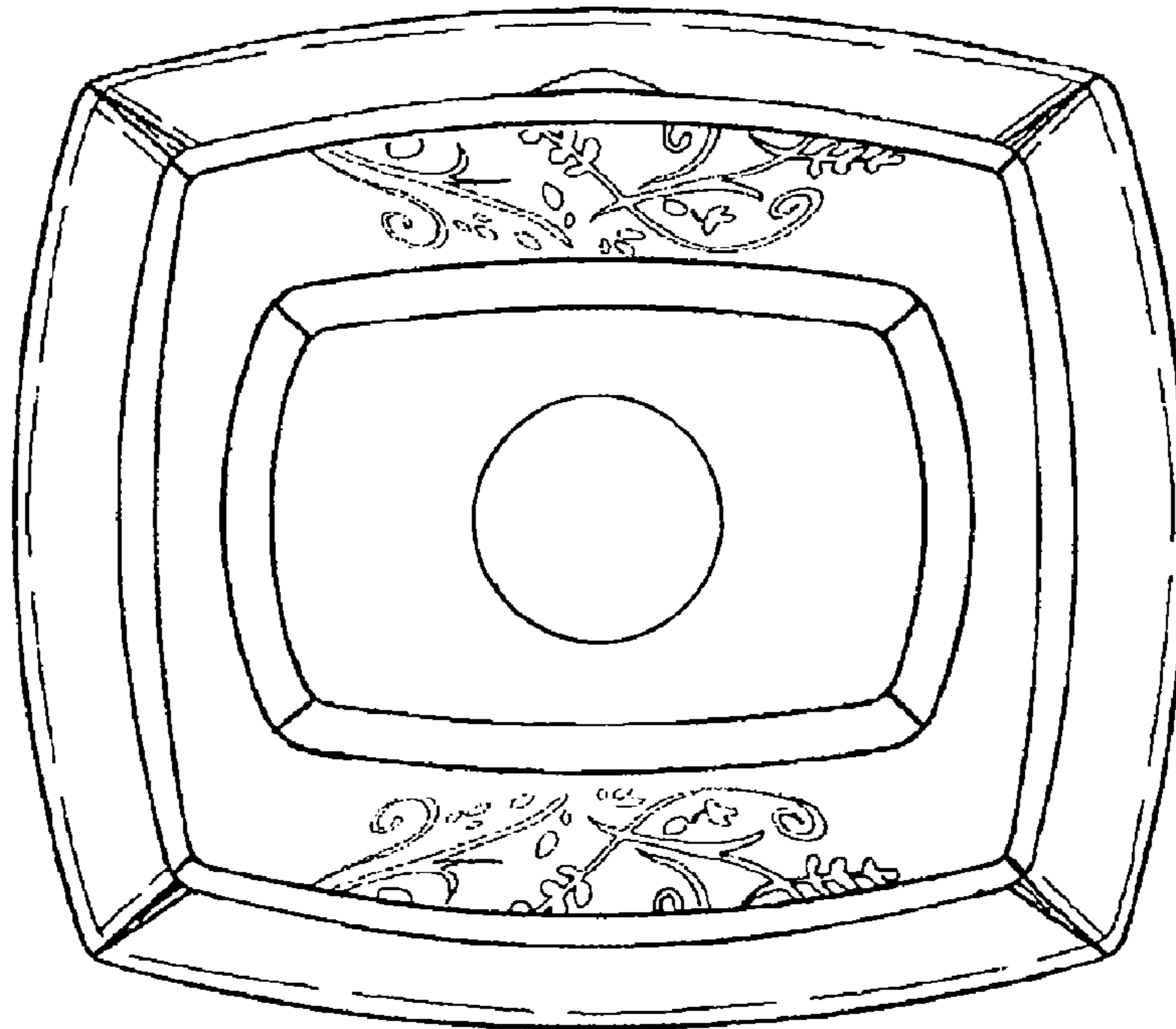


Fig. 6



Fig. 7

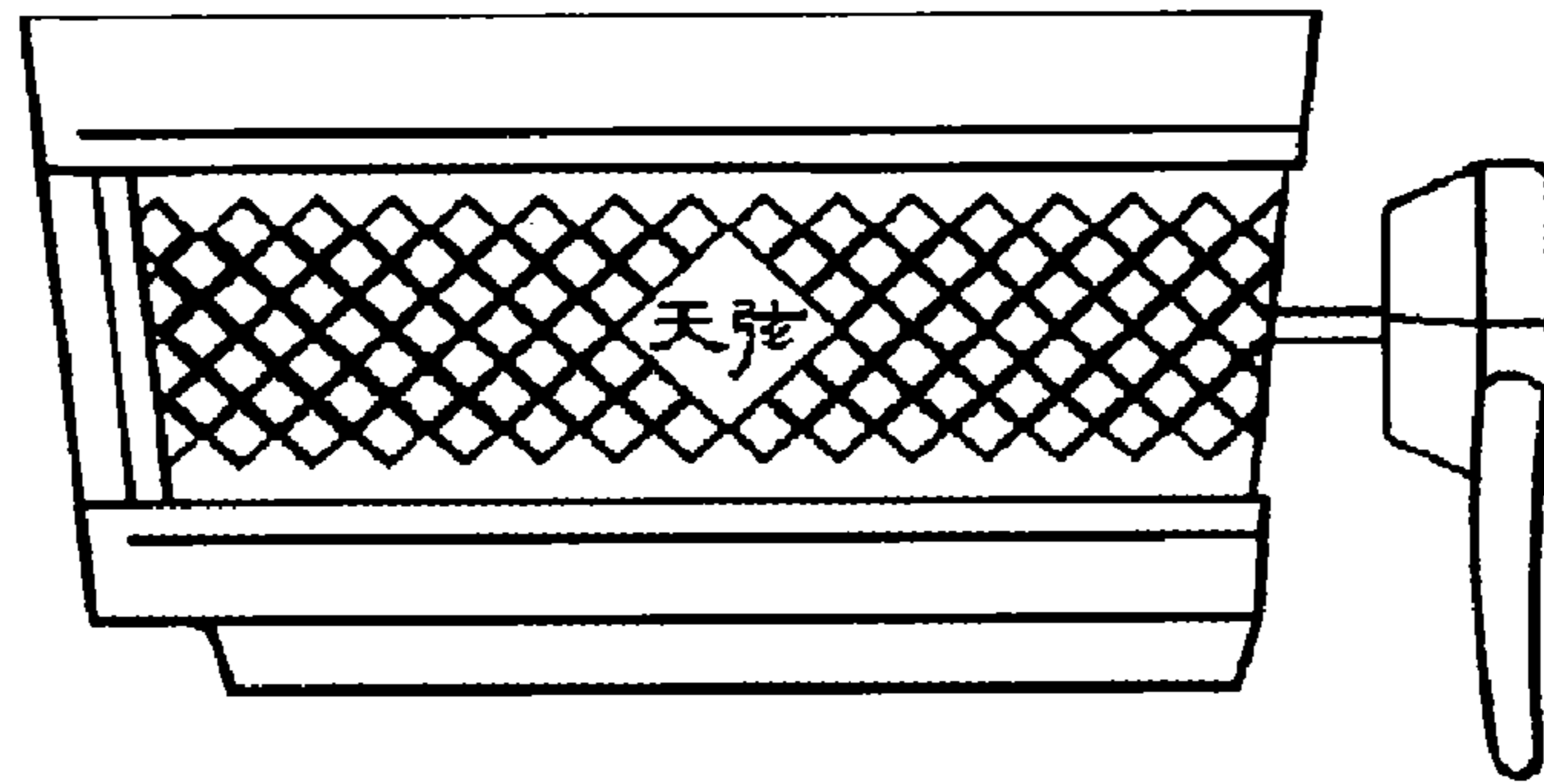


Fig. 8

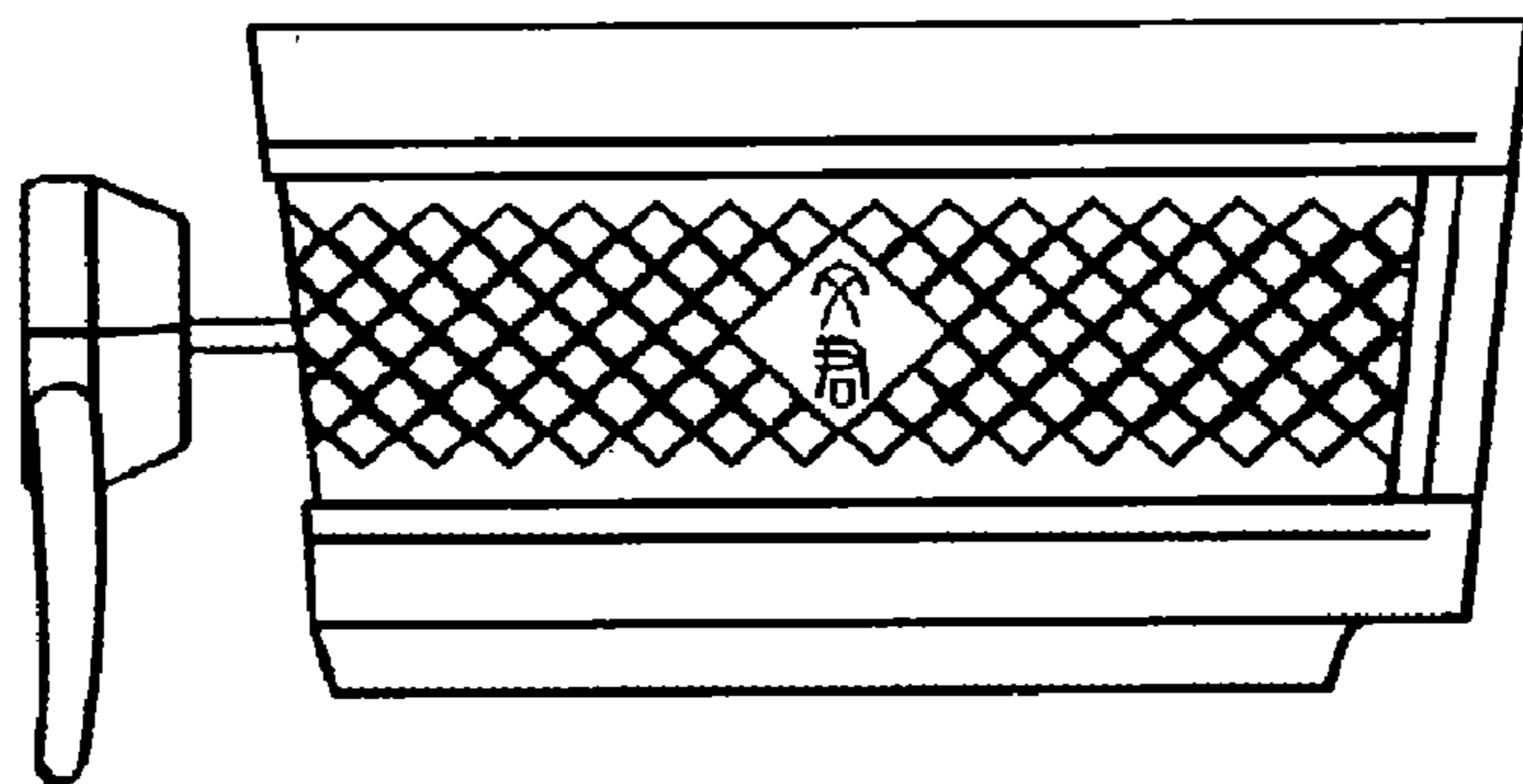


Fig. 9

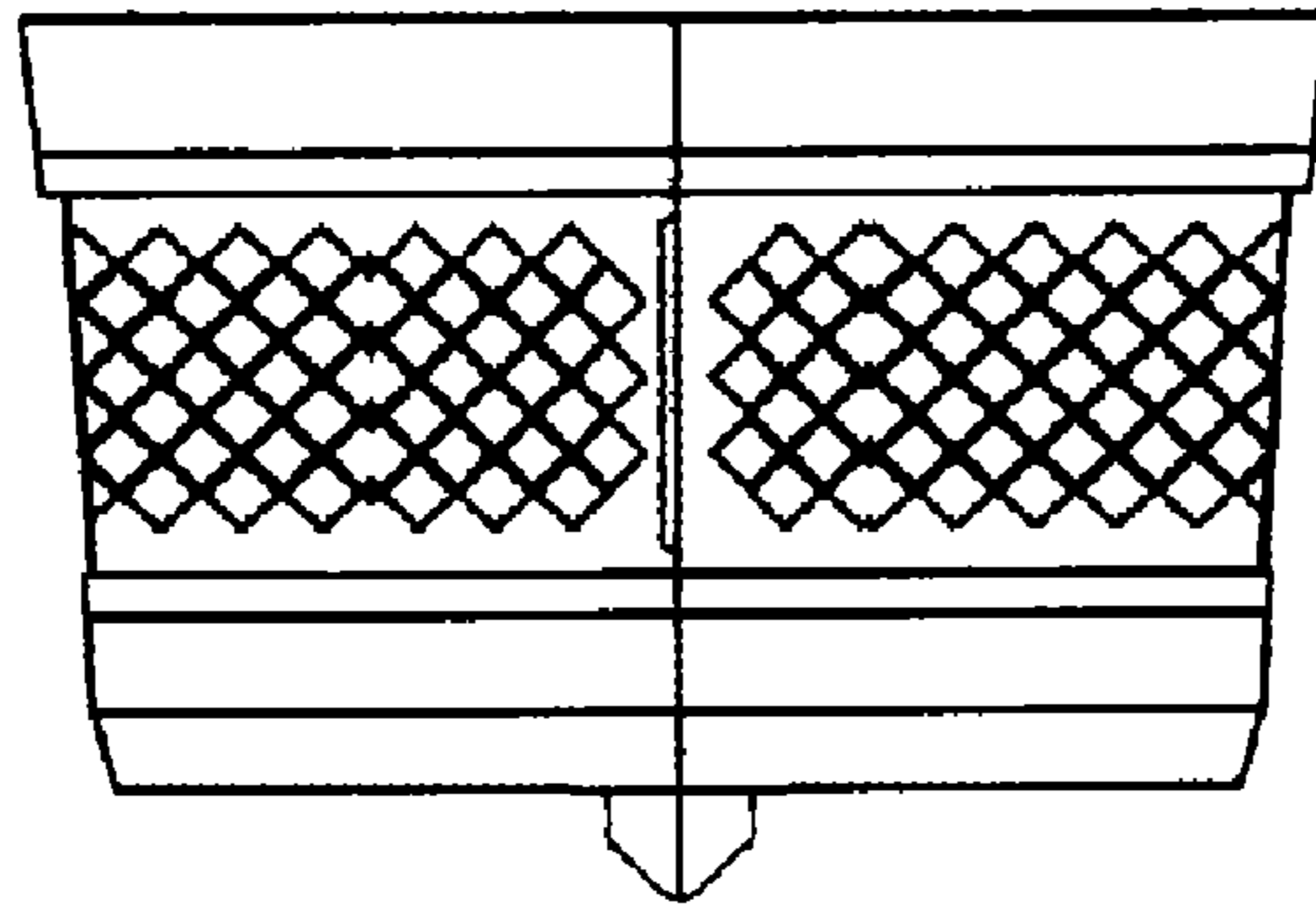


Fig. 10

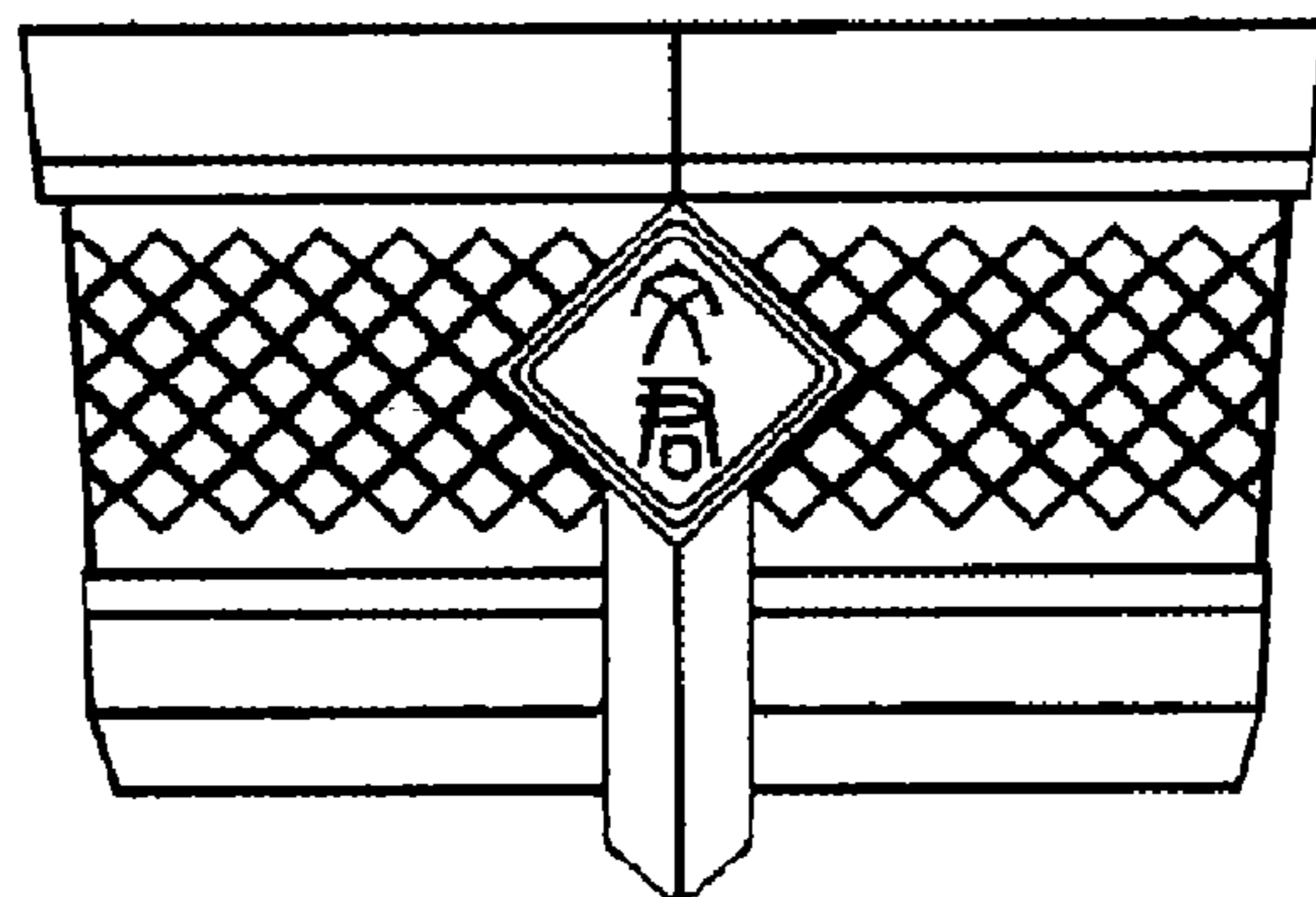


Fig. 11

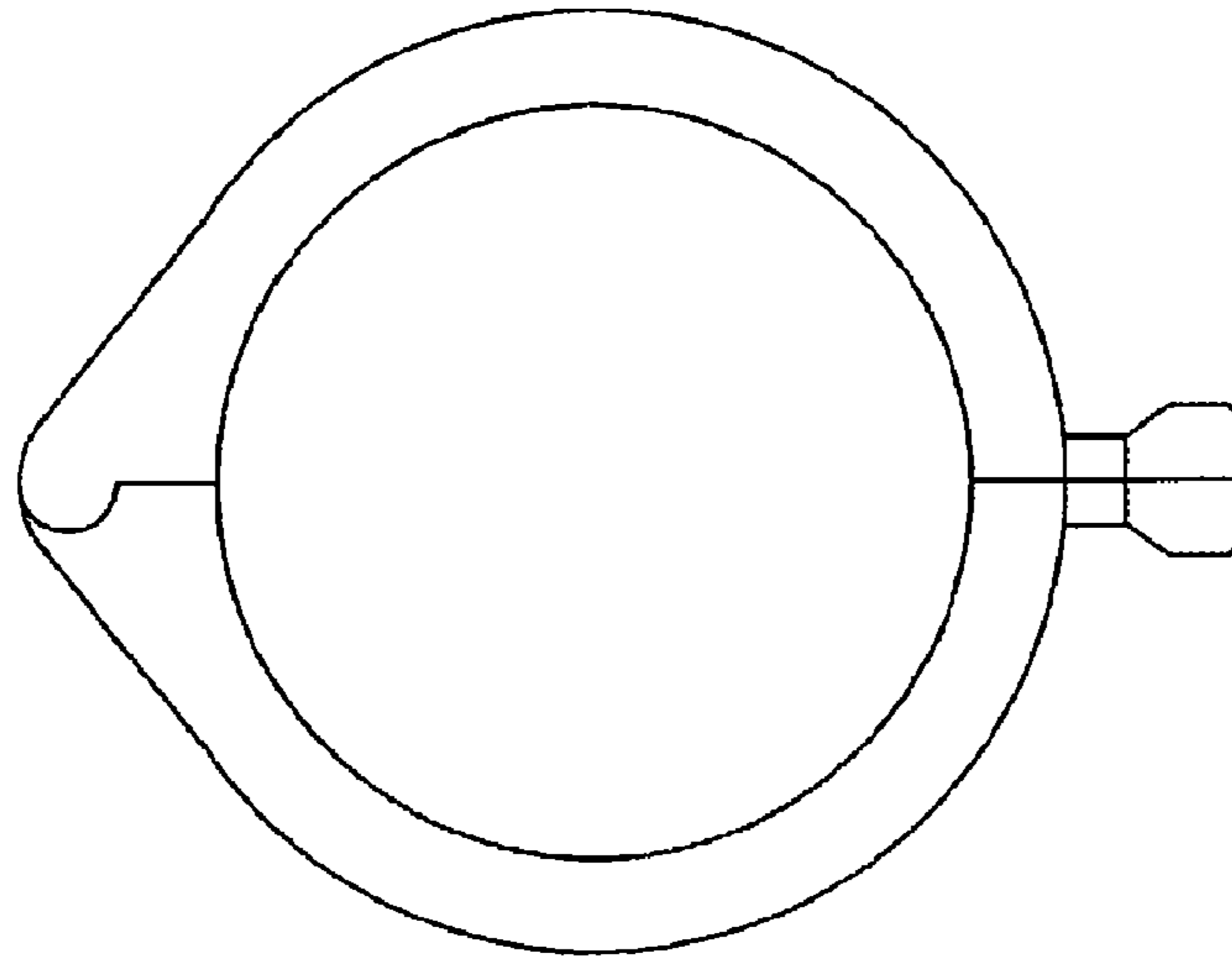


Fig. 12

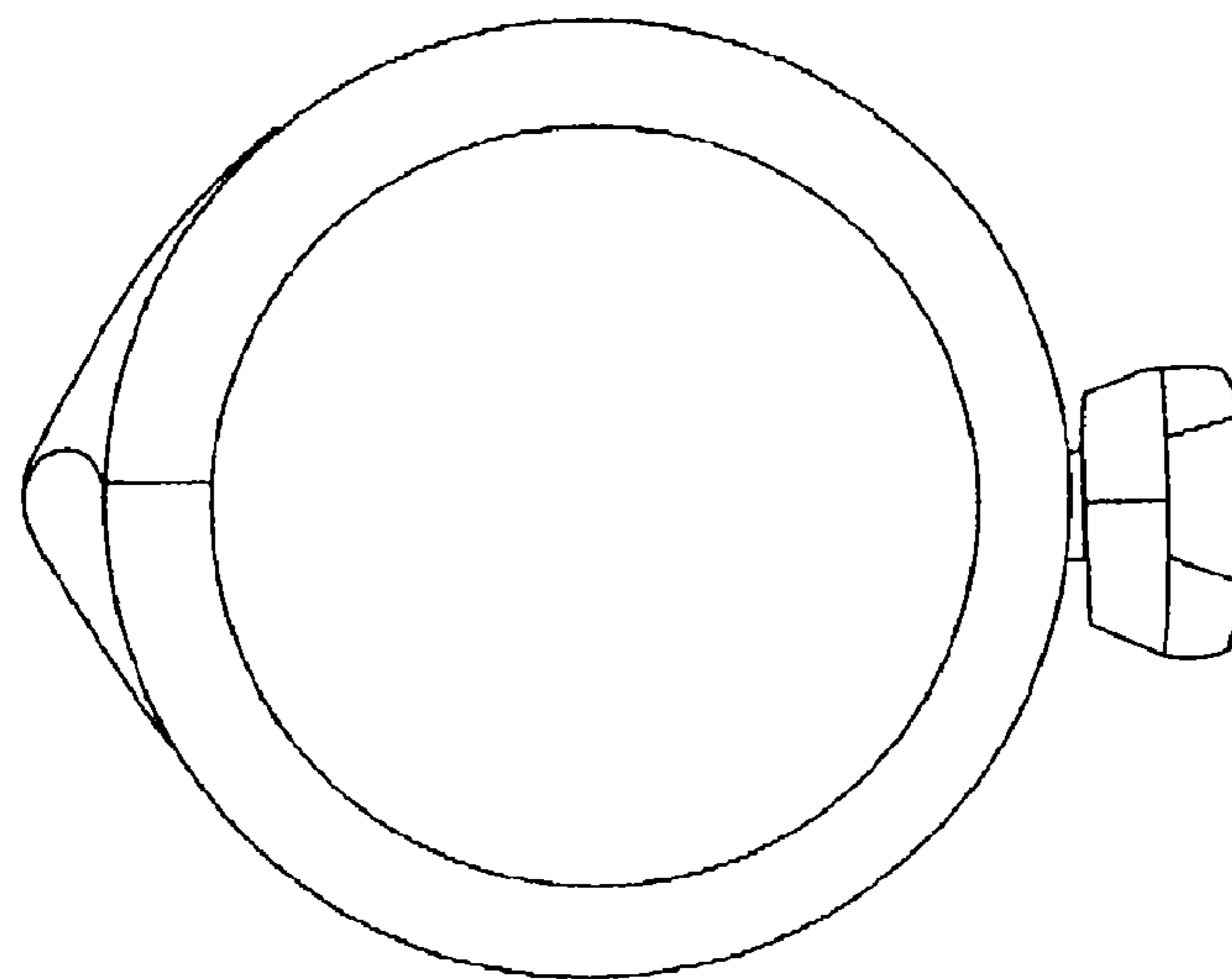


Fig. 13

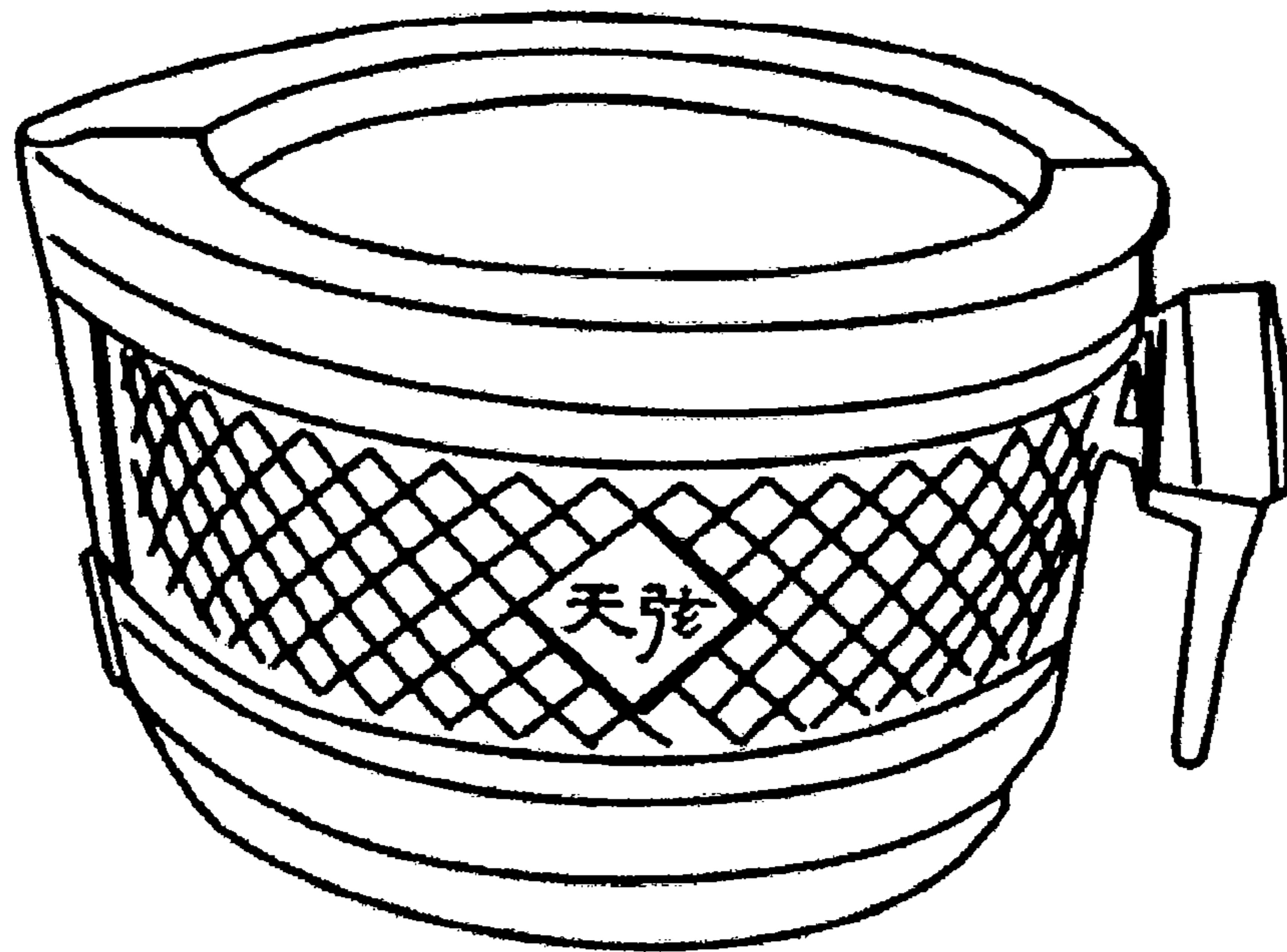


Fig. 14

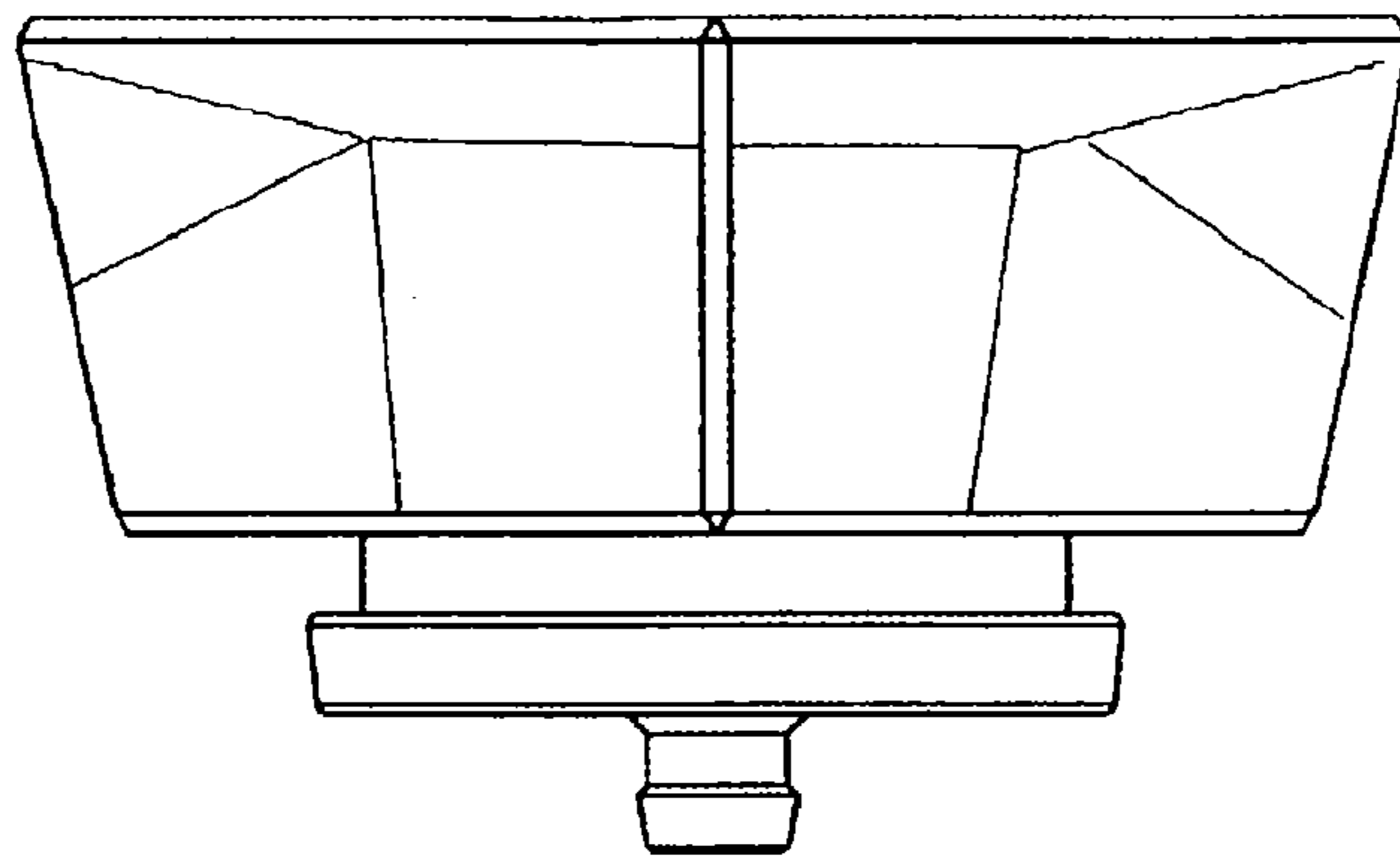


Fig. 15

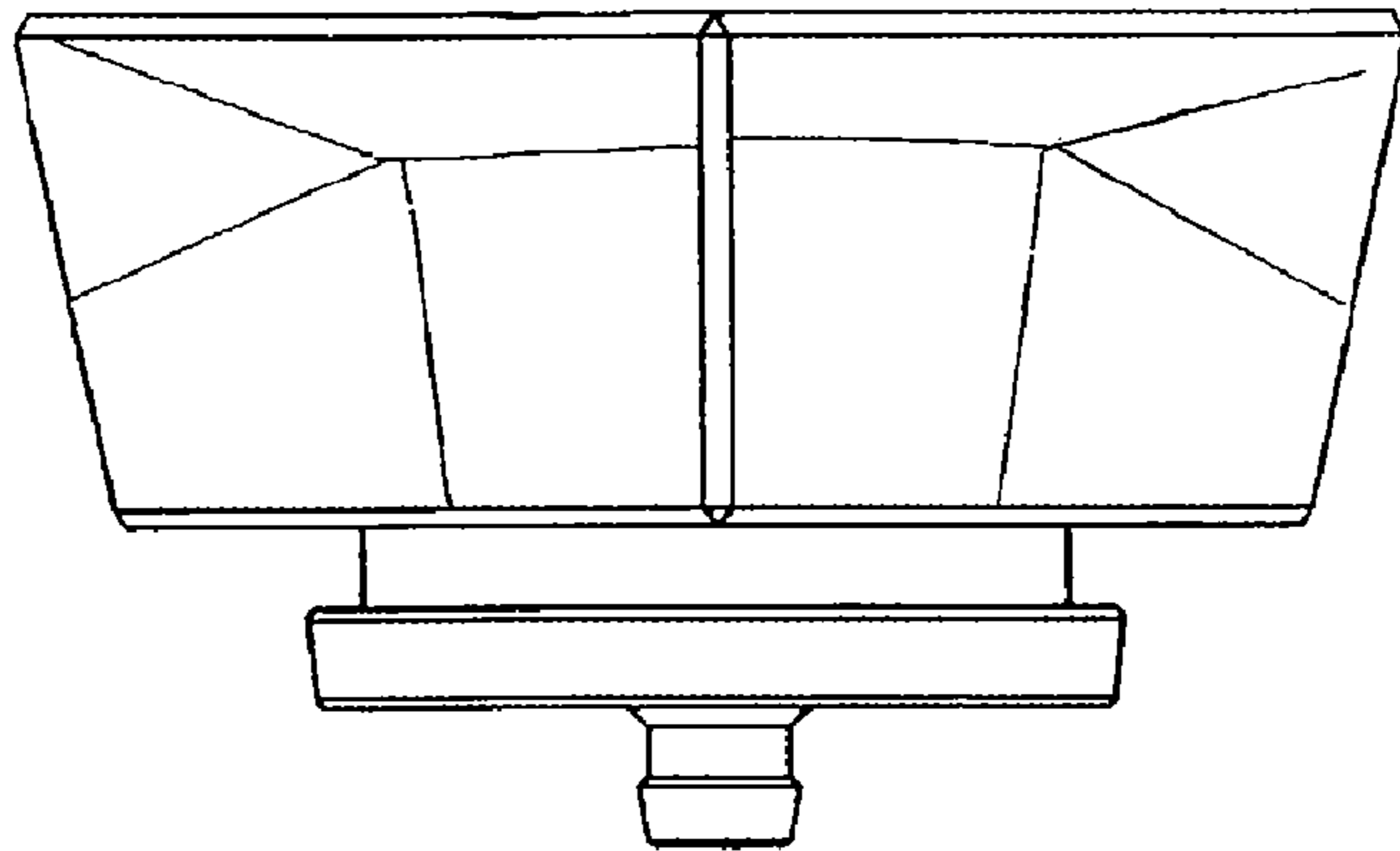


Fig. 16

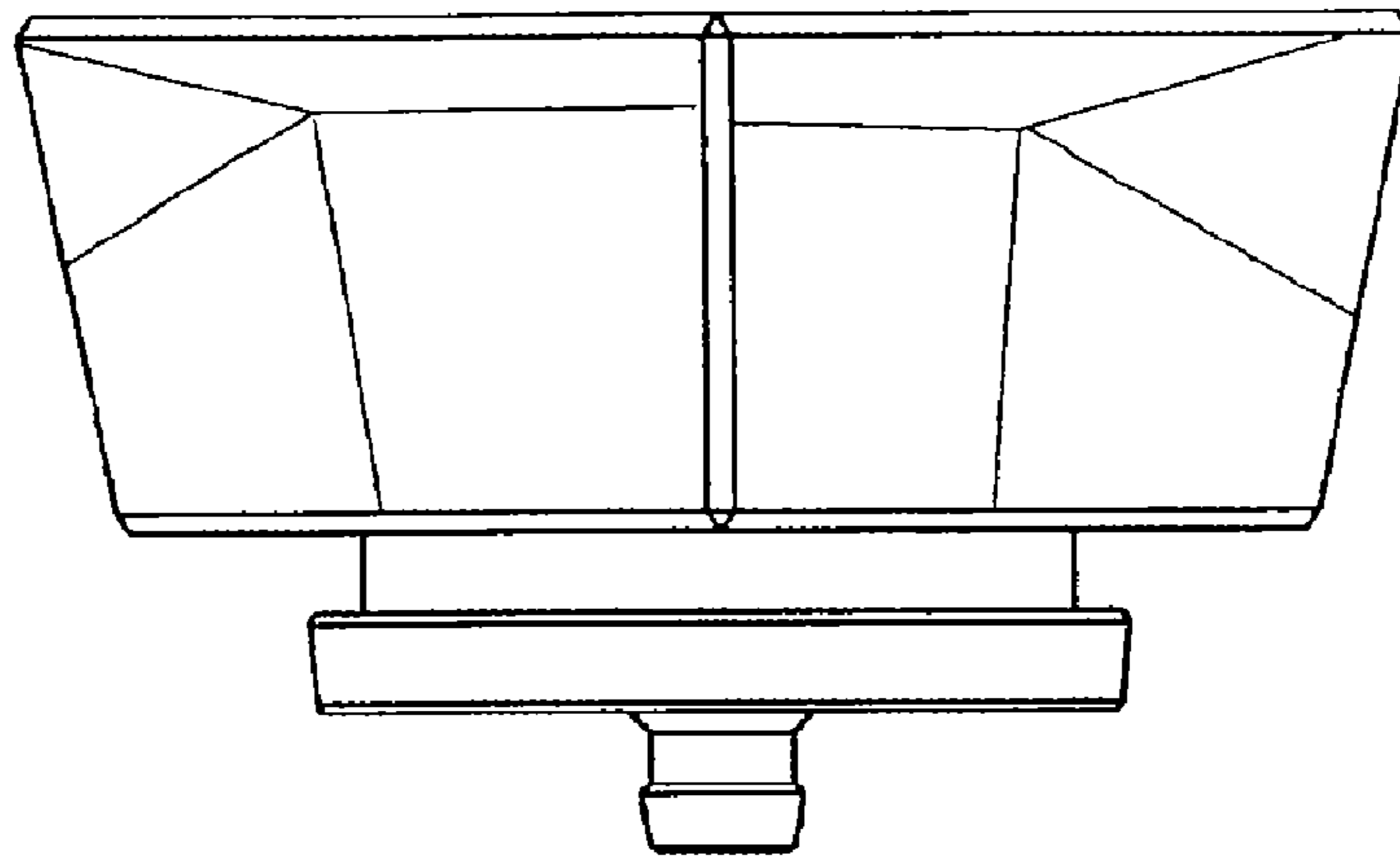


Fig. 17

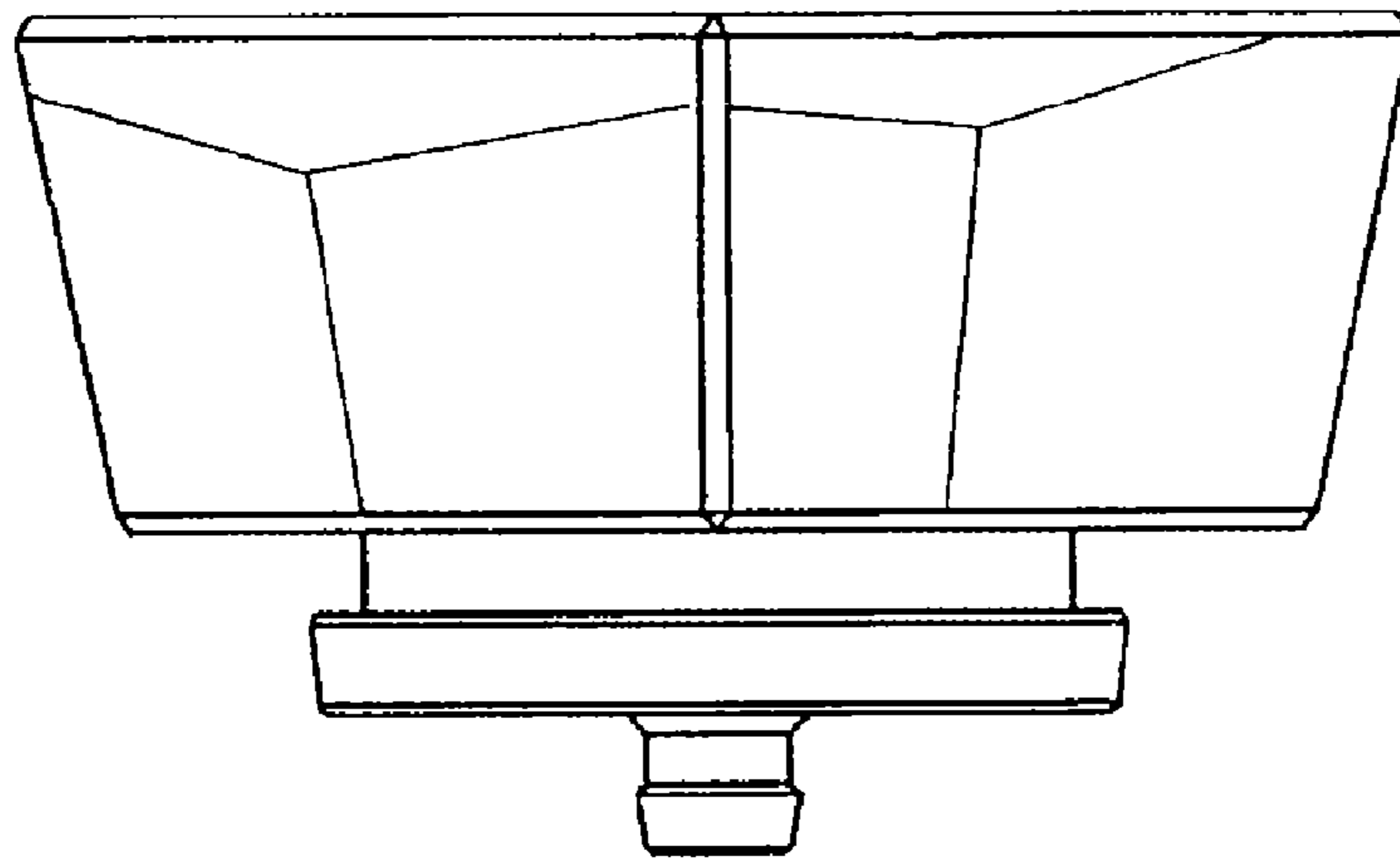


Fig. 18

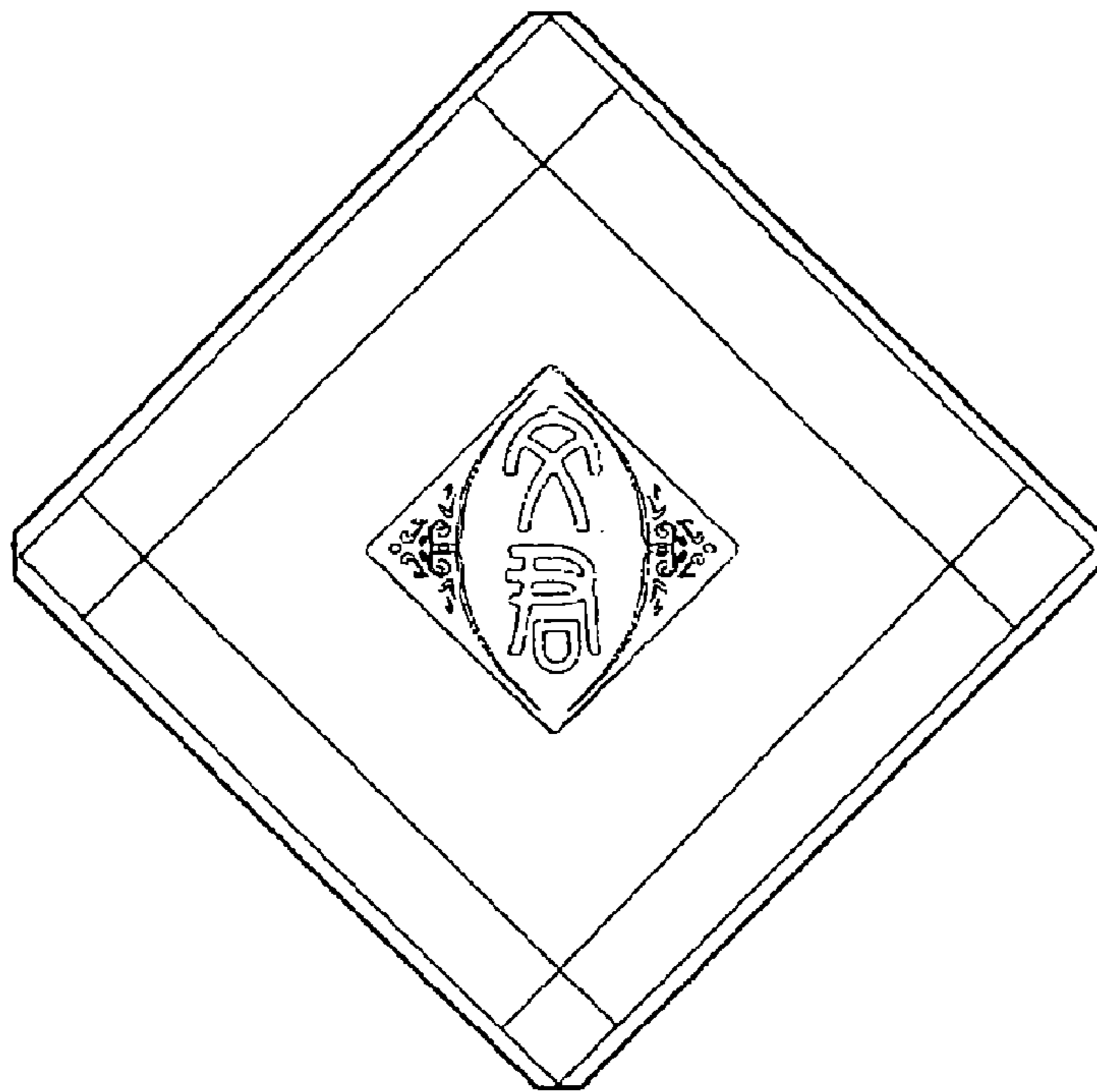


Fig. 19

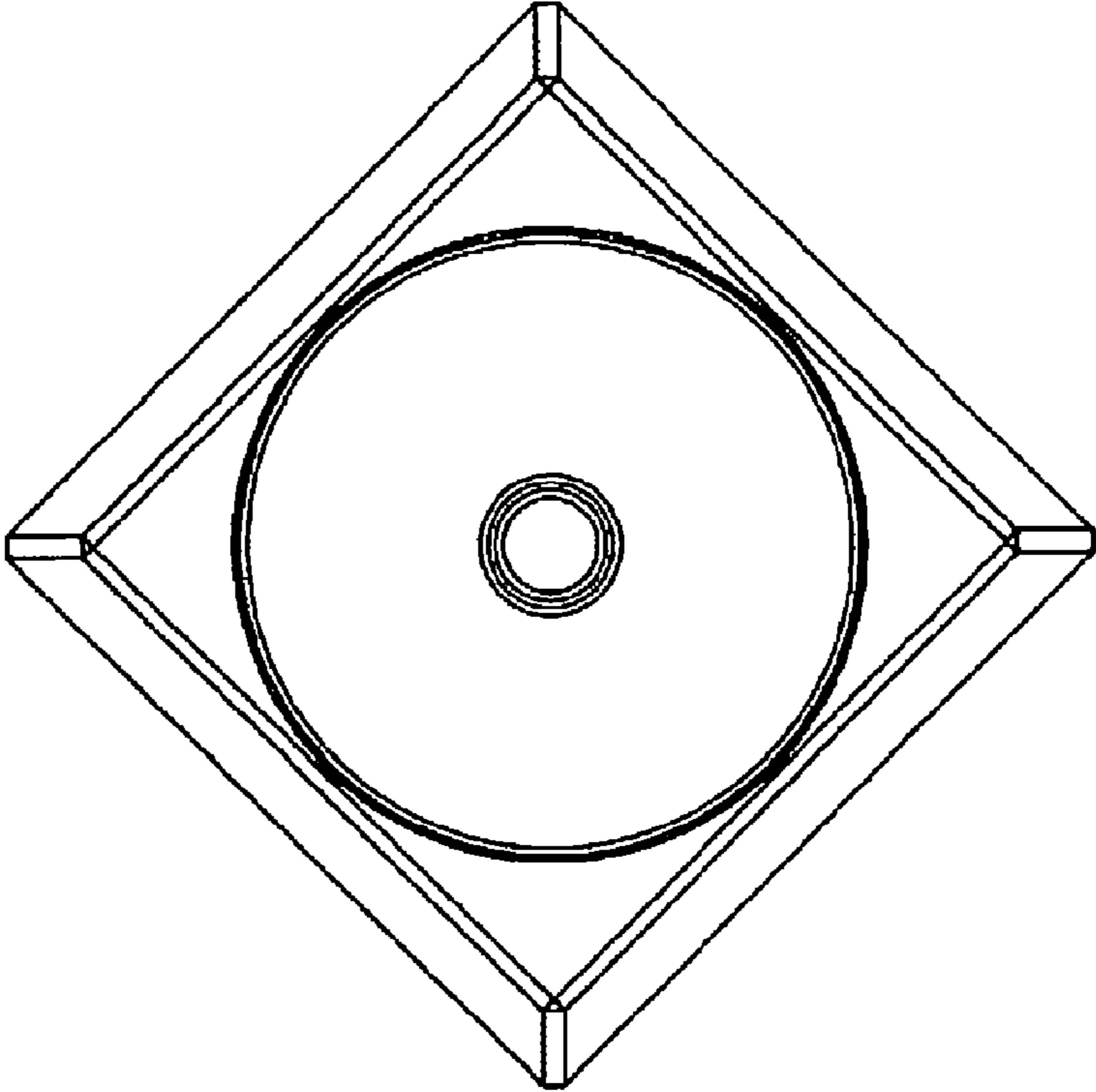


Fig. 20

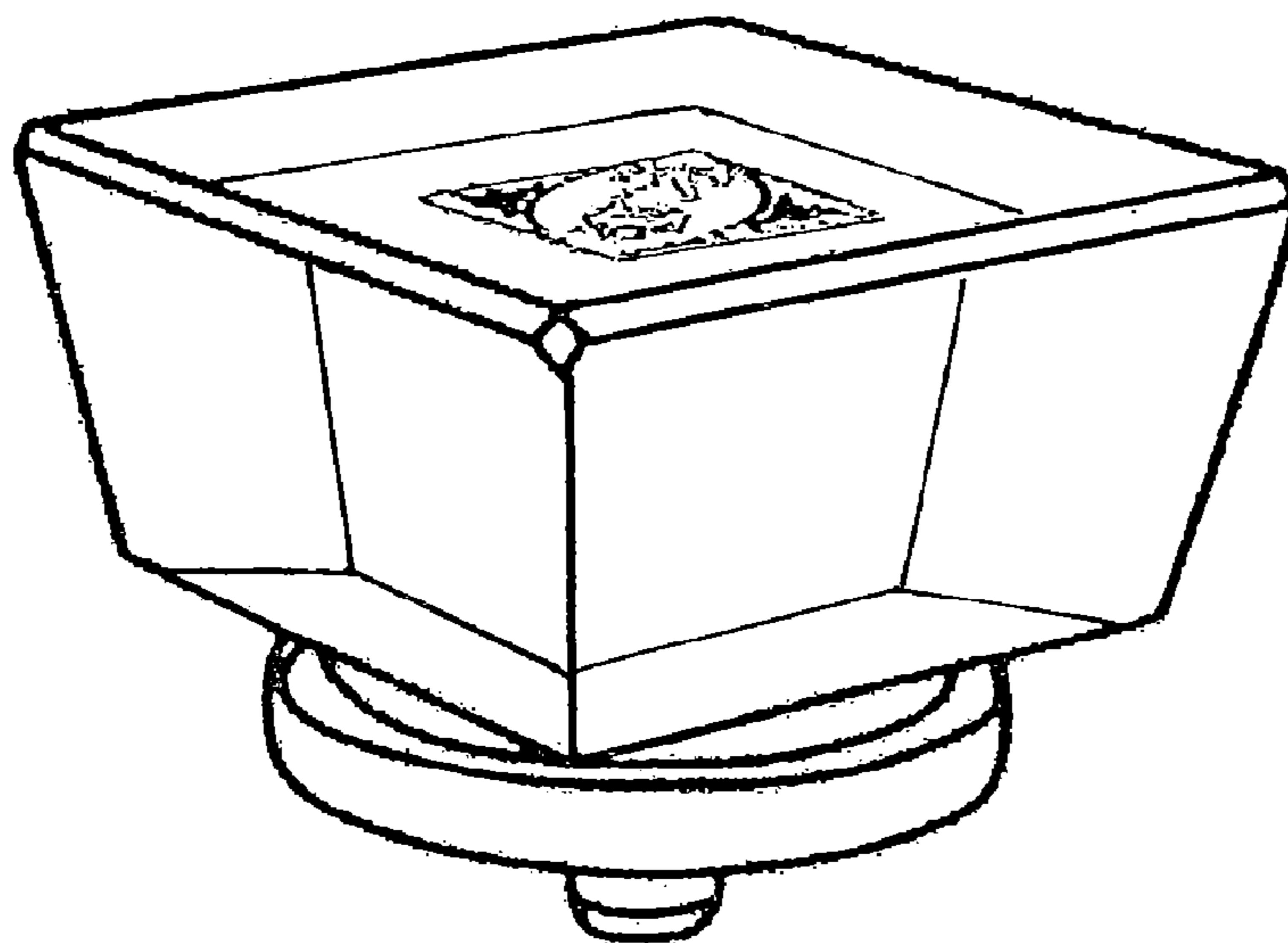


Fig. 21



Fig. 22



Fig. 23

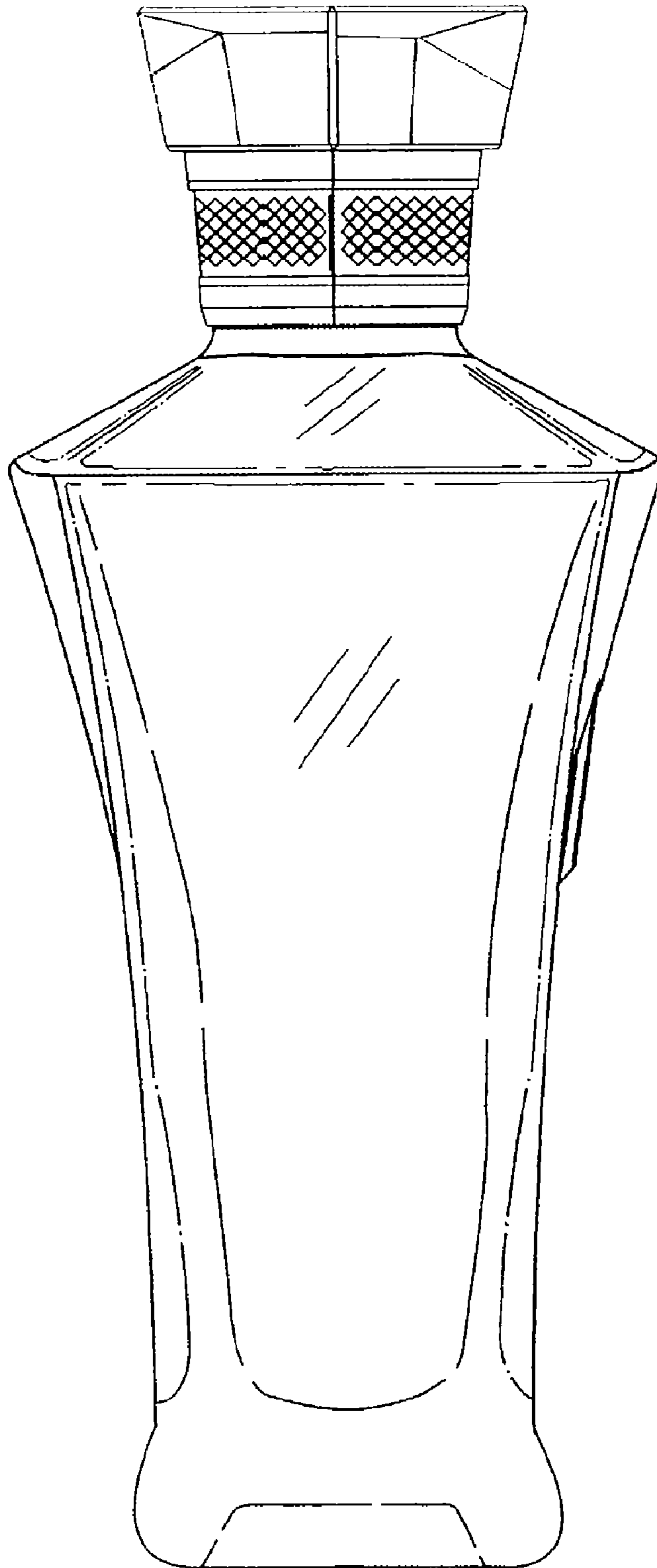


Fig. 24

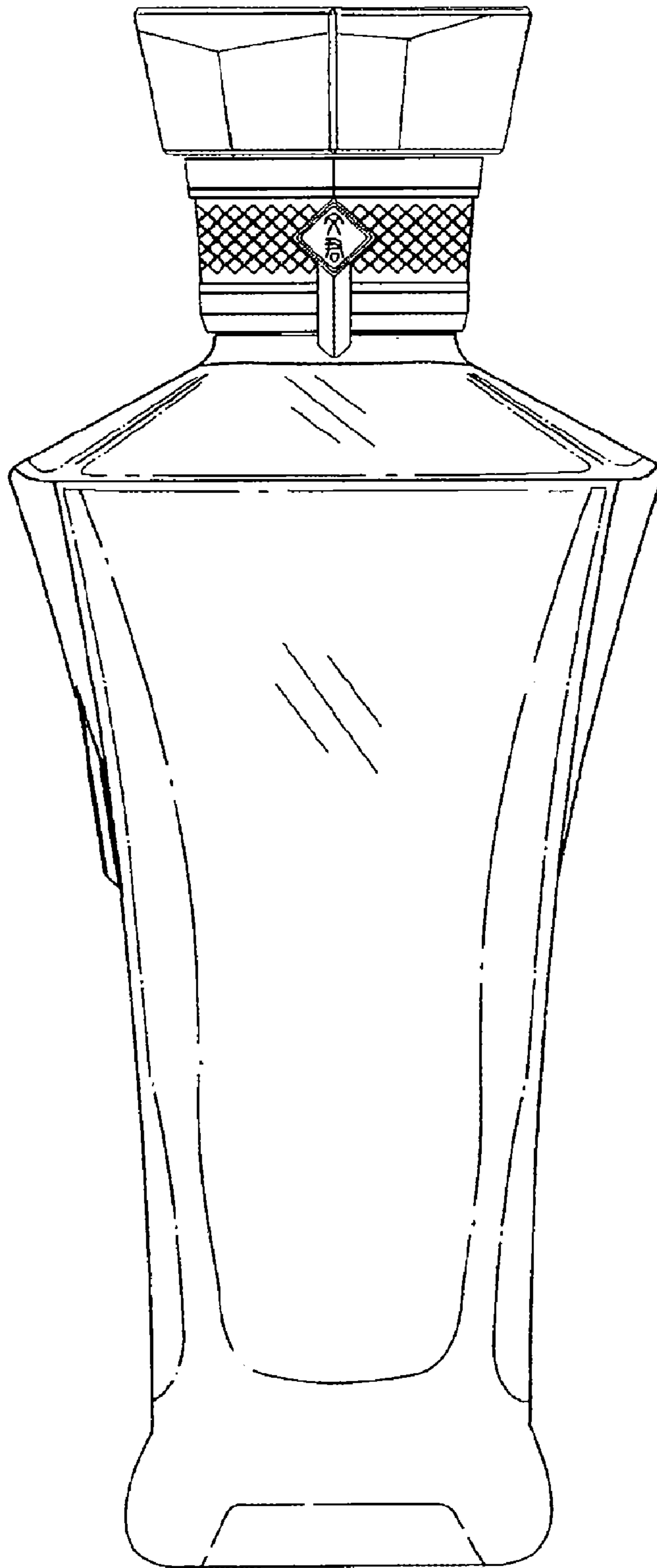


Fig. 25

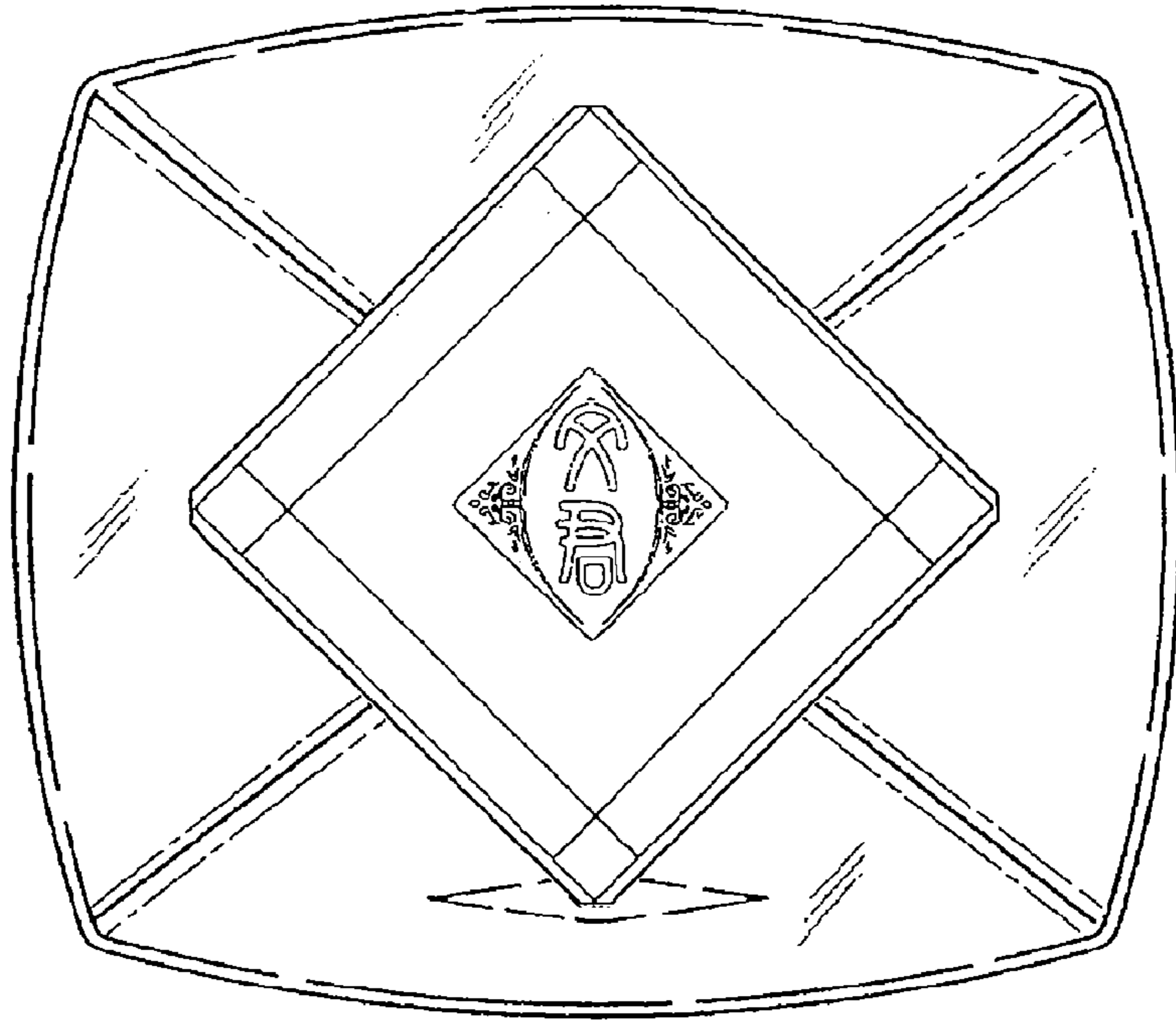


Fig. 26

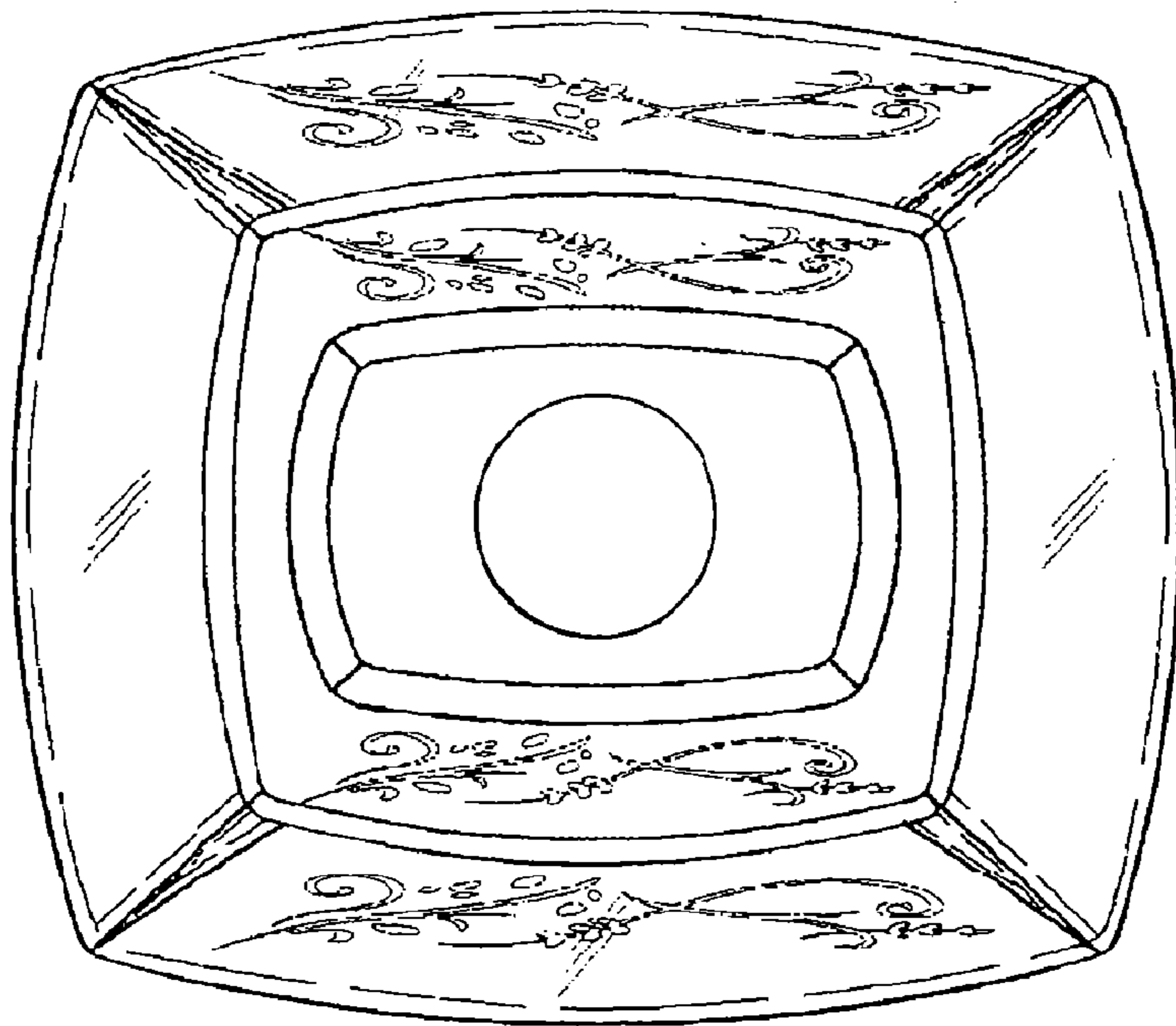


Fig. 27



Fig. 28