



US00D632179S

(12) **United States Design Patent**
Lewis et al.

(10) **Patent No.:** **US D632,179 S**

(45) **Date of Patent:** **** Feb. 8, 2011**

(54) **CONTAINER**

(75) Inventors: **Benton A. Lewis**, Manchester, PA (US);
Justin A. Howell, New Cumberland, PA
(US); **Michael T. Kelly**, Manchester, PA
(US); **Robert Waltemyer**, Felton, PA
(US); **Sunil S. Shah**, York, PA (US)

(73) Assignee: **Graham Packaging Company, L.P.**,
York, PA (US)

(**) Term: **14 Years**

(21) Appl. No.: **29/341,307**

(22) Filed: **Aug. 3, 2009**

(51) **LOC (9) Cl.** **09-01**

(52) **U.S. Cl.** **D9/538; D9/540; D9/551;**
D9/557

(58) **Field of Classification Search** **D9/516,**
D9/530, 537-543, 545, 551, 553-558; 215/381-385
See application file for complete search history.

(56) **References Cited**

U.S. PATENT DOCUMENTS

5,141,121	A	8/1992	Brown et al.	
5,971,184	A	10/1999	Krishnakumar et al.	
D423,936	S *	5/2000	Smith et al.	D9/557 X
D424,446	S *	5/2000	Silvers et al.	D9/540 X
D428,815	S *	8/2000	Mooney et al.	D9/539 X
D442,866	S *	5/2001	Mooney et al.	D9/537 X
D443,521	S *	6/2001	Bansal et al.	D9/543
D448,304	S *	9/2001	Cheng et al.	D9/539
D448,674	S *	10/2001	Mooney	D9/540
D451,401	S *	12/2001	Silvers et al.	D9/538
D454,792	S *	3/2002	Keller	D9/557
6,439,413	B1 *	8/2002	Prevot et al.	215/381
D467,813	S *	12/2002	Silvers et al.	D9/538
D496,281	S *	9/2004	Trude	D9/540
D505,077	S *	5/2005	Piccioli et al.	D9/538
6,935,525	B2	8/2005	Trude	

D510,034	S *	9/2005	Hong et al.	D9/557 X
7,014,056	B2	3/2006	Trude	
7,073,675	B2 *	7/2006	Trude	215/381
7,137,520	B1	11/2006	Melrose	
D542,666	S	5/2007	Trude	
D561,037	S *	2/2008	Boon	D9/539
D592,964	S *	5/2009	Kissinger et al.	D9/540
D612,249	S *	3/2010	Wurster et al.	D9/551 X
D612,250	S *	3/2010	Shah	D9/538
2006/0157439	A1	7/2006	Howell	
2007/0075032	A1	4/2007	Kelley et al.	
2007/0090083	A1	4/2007	Trude	
2007/0125743	A1	6/2007	Pritchett, Jr. et al.	
2007/0257004	A1	11/2007	Howell et al.	

FOREIGN PATENT DOCUMENTS

WO 2006/039523 A1 4/2006

* cited by examiner

Primary Examiner—Carol Rademaker

(74) *Attorney, Agent, or Firm*—Knoble Yoshida & Dunleavy,
LLC

(57) **CLAIM**

The ornamental design for a “container,” as shown and described.

DESCRIPTION

FIG. 1 is a top, front, and right side perspective view of a container showing our new design;

FIG. 2 is a front elevational view thereof;

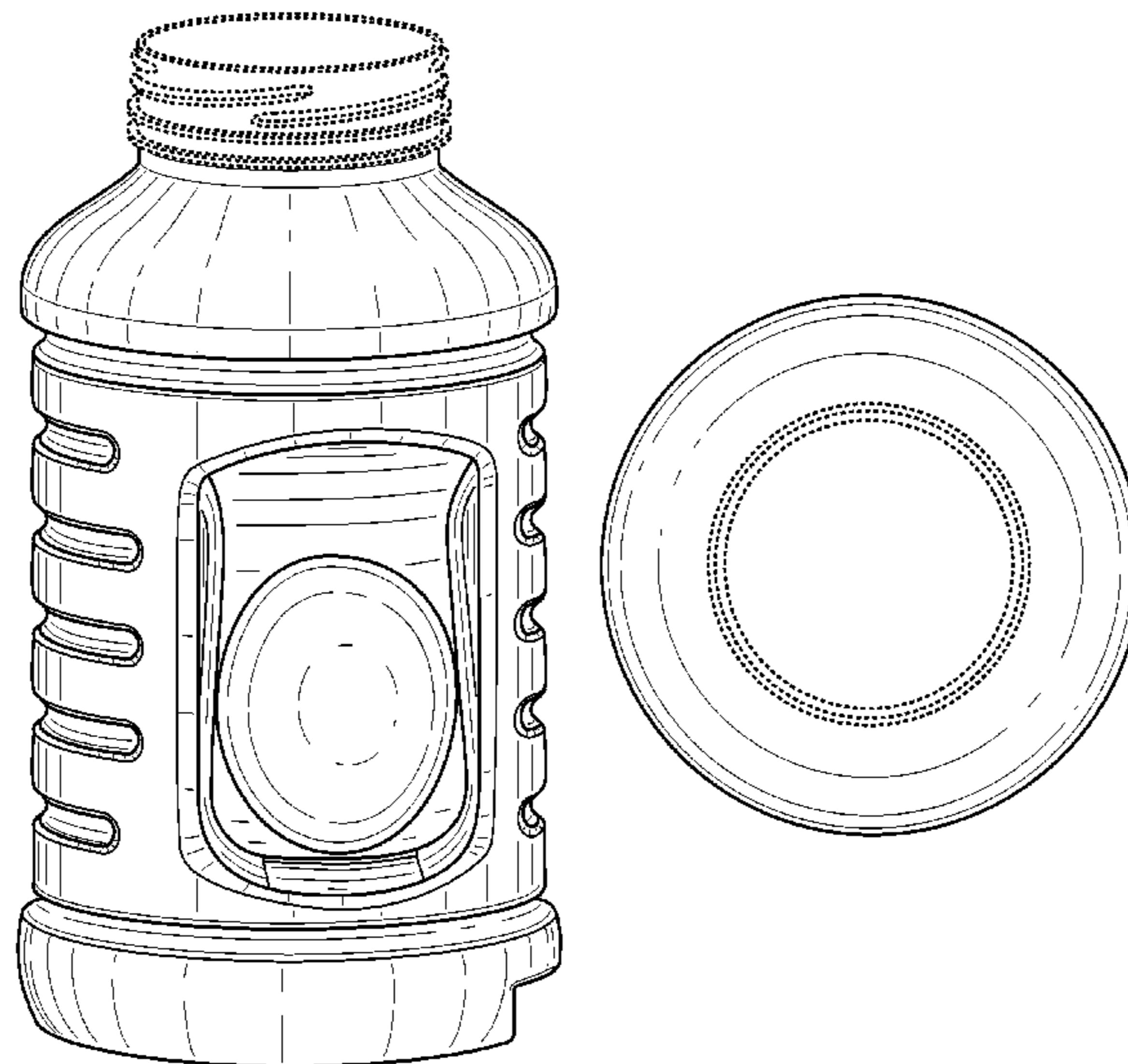
FIG. 3 is a right side elevational view thereof, the left side elevational view being a mirror image;

FIG. 4 is a rear elevational view thereof; and,

FIG. 5 is a top plan view thereof.

The broken lines in the drawings of a pour spout and threads are included for the purpose of showing environmental structure that forms no part of the claimed design.

1 Claim, 5 Drawing Sheets



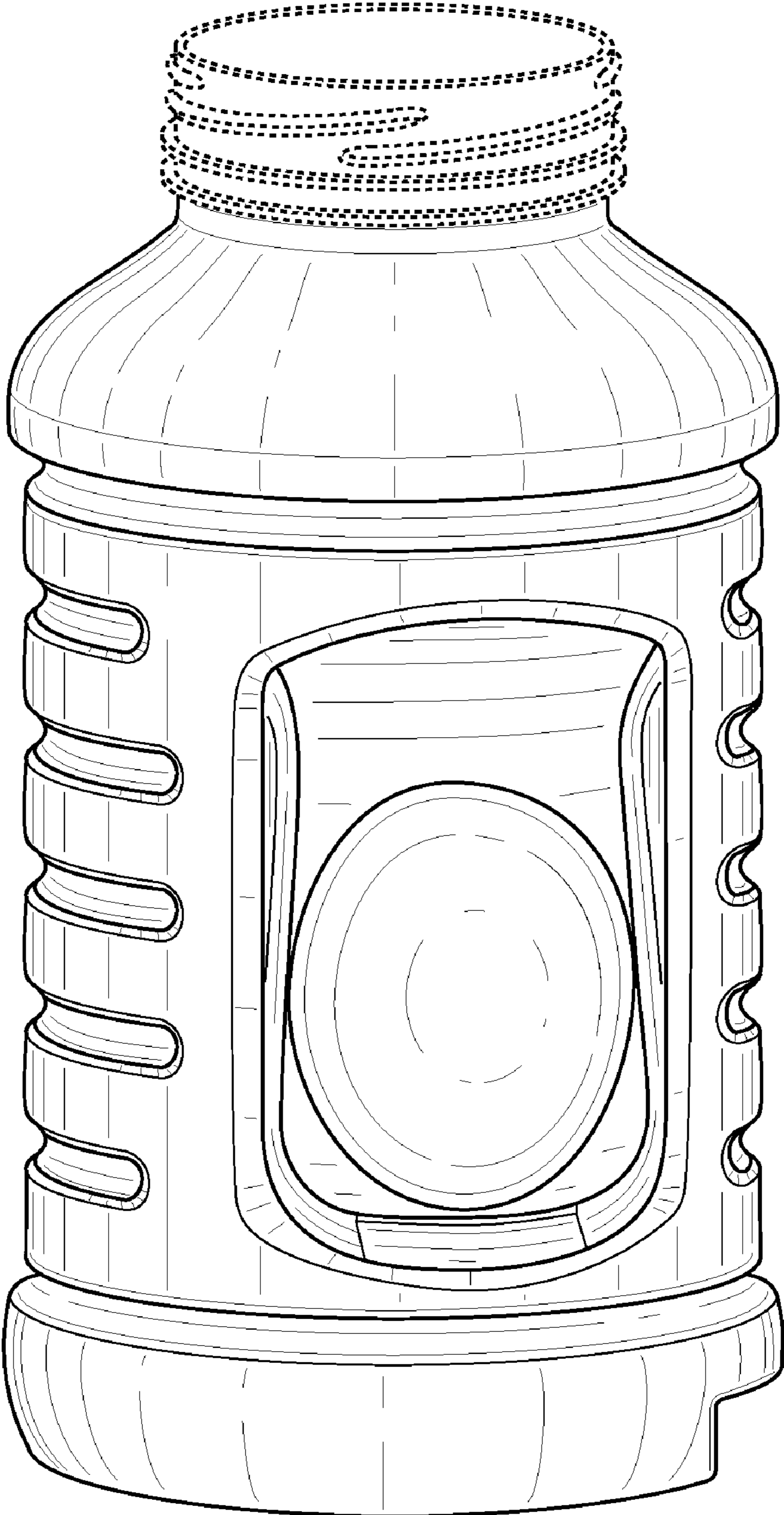


FIG. 1

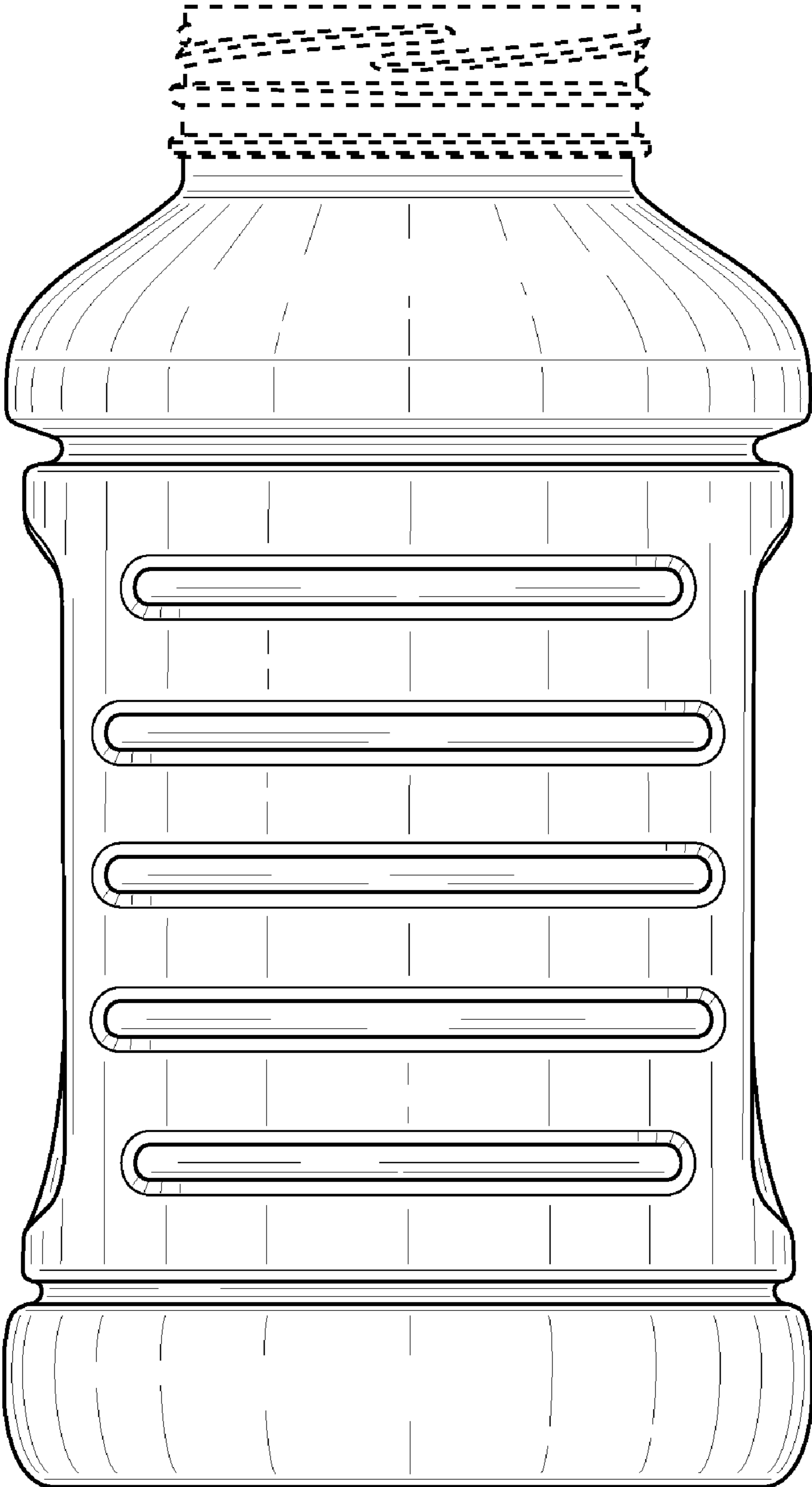


FIG. 2

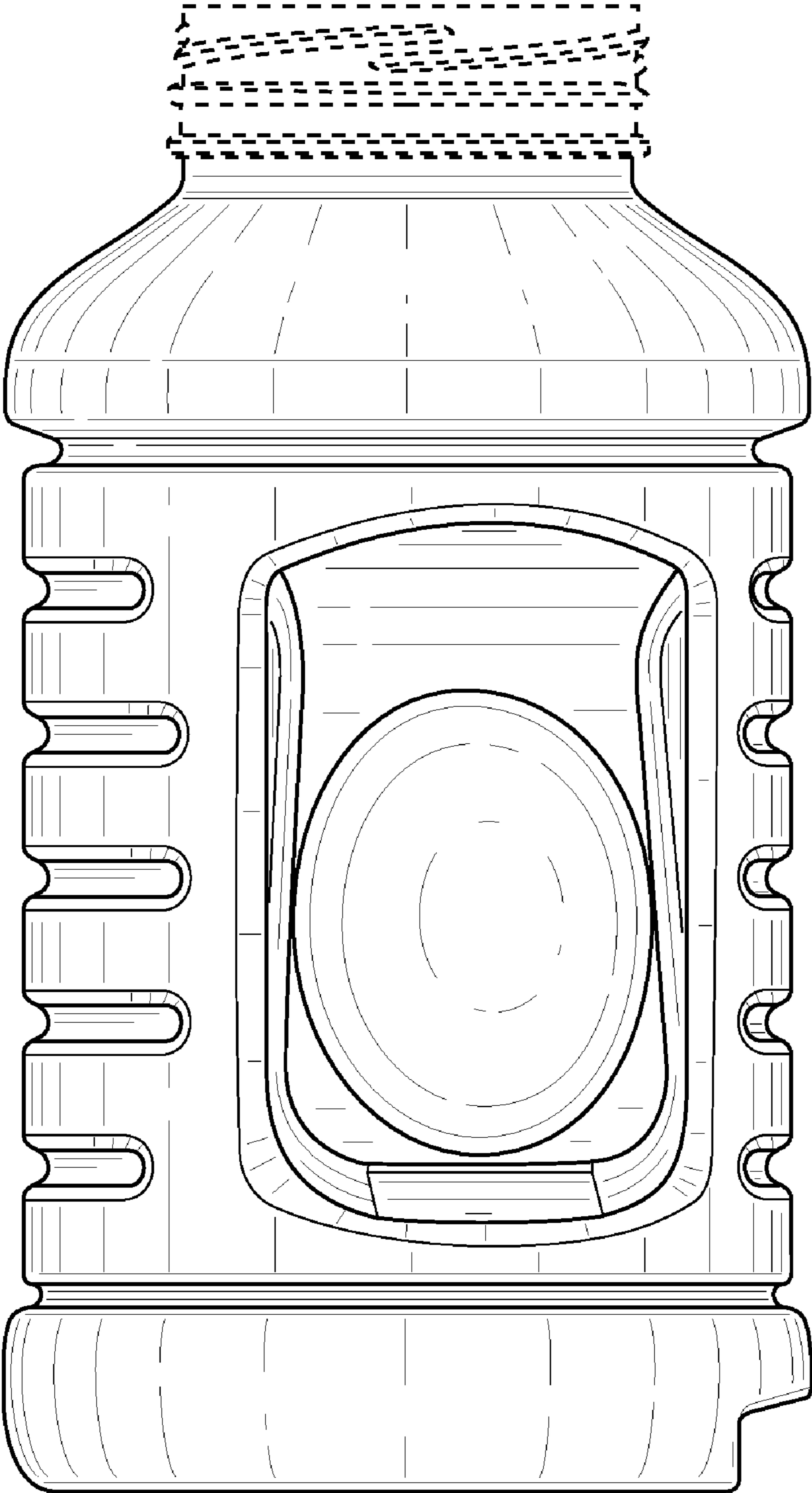


FIG. 3

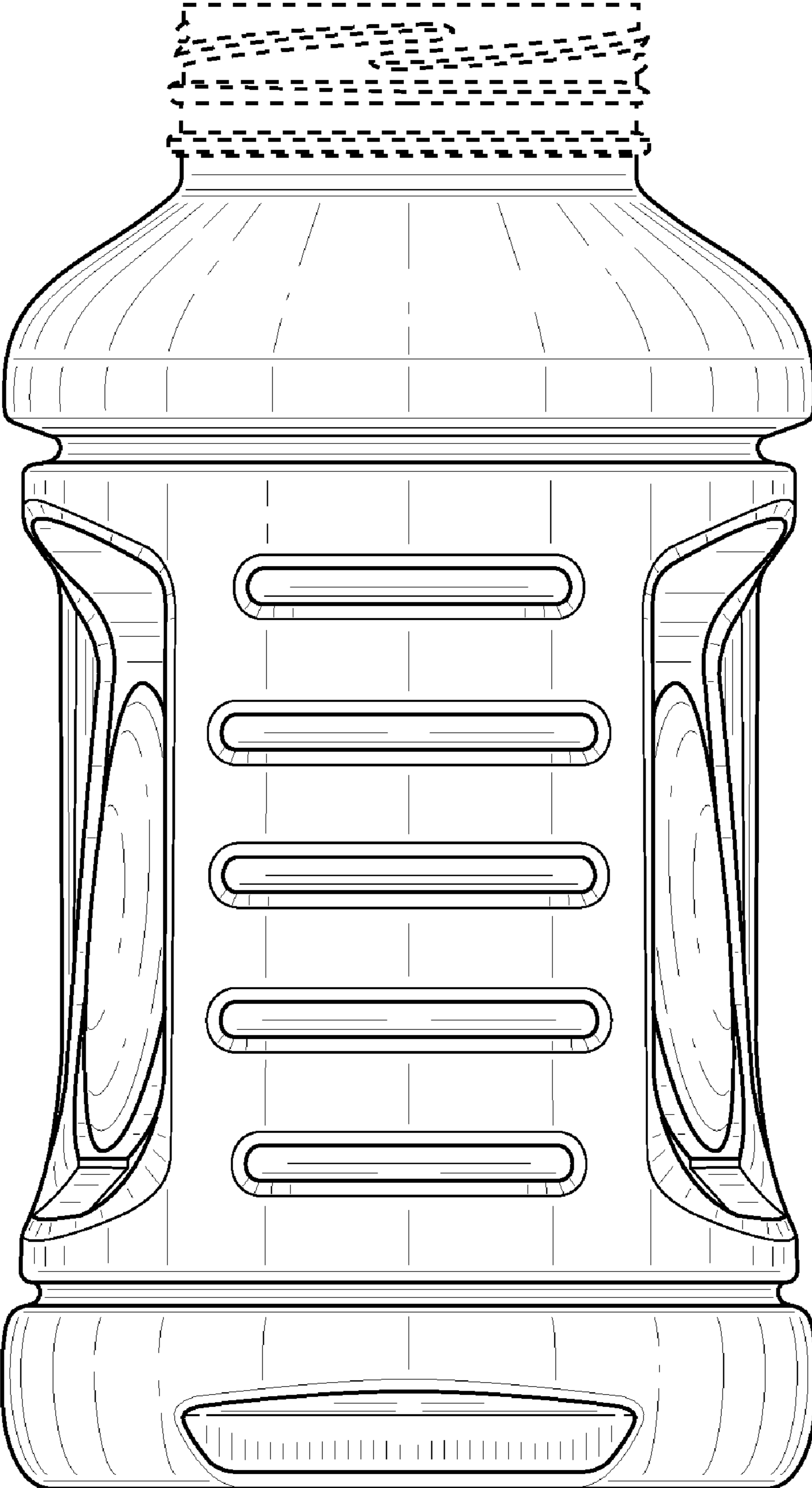


FIG. 4

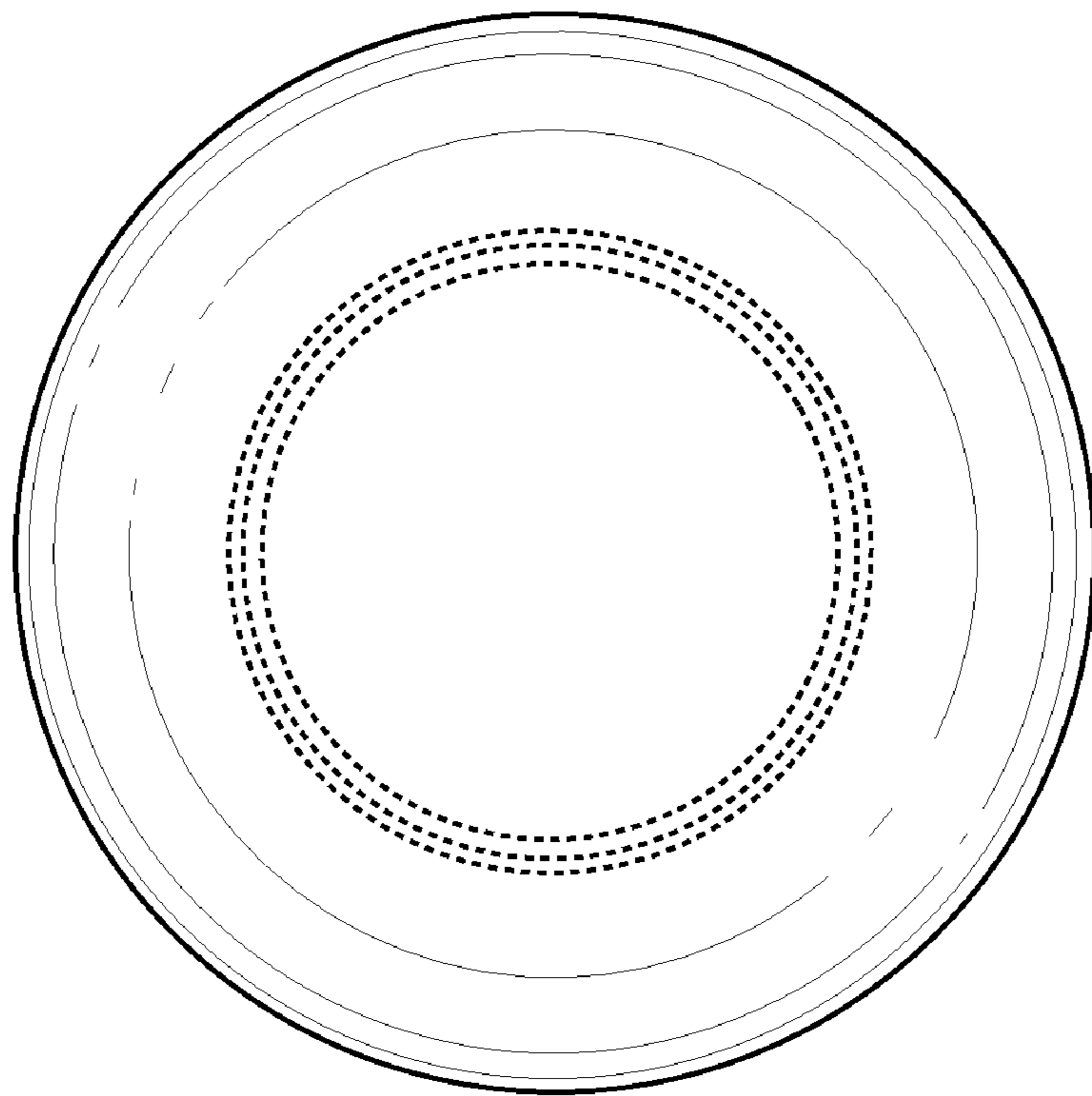


FIG. 5