



US00D632176S

(12) **United States Design Patent**
McKinney et al.

(10) **Patent No.:** **US D632,176 S**

(45) **Date of Patent:** **** Feb. 8, 2011**

(54) **BEVERAGE BOTTLE LID**

D596,458 S 7/2009 McKinney et al.

(75) Inventors: **Larry T. McKinney**, Huntersville, NC (US); **Brian D. Furlong**, Davidson, NC (US)

(73) Assignee: **Rubbermaid Incorporated**, Huntersville, NC (US)

(**) Term: **14 Years**

(21) Appl. No.: **29/343,957**

(22) Filed: **Sep. 22, 2009**

(51) **LOC (9) Cl.** **09-07**

(52) **U.S. Cl.** **D9/450; D9/453**

(58) **Field of Classification Search** D9/780,
D9/778, 772, 763, 756, 556, 529, 518, 504,
D9/503, 454, 450, 449, 447, 440, 438, 435,
D9/434, 428, 425, 424; D7/584, 392.1; 229/123.1;
222/556; 220/906, 806, 716, 713, 711, 359.3,
220/359.1, 285, 273, 265, 259.2–259.4, 258.2,
220/257.1, 254.4; 215/256, 249, 232, 216;
206/530

See application file for complete search history.

(56) **References Cited**

U.S. PATENT DOCUMENTS

D214,722 S *	7/1969	Hazard	D9/450
D214,723 S *	7/1969	Hazard	D9/450
D217,710 S *	6/1970	Hazard	D9/450
D217,711 S *	6/1970	Hazard	D9/450
D228,284 S *	9/1973	Gryncewicz	D9/450
D334,341 S *	3/1993	Brown et al.	D9/447
D363,025 S *	10/1995	Deflander et al.	D9/449
D396,190 S *	7/1998	Haley	D9/449
D468,639 S *	1/2003	Wennerstrom et al.	D9/449
D531,901 S *	11/2006	Rueschhoff et al.	D9/449
D537,716 S *	3/2007	Smith	D9/449

OTHER PUBLICATIONS

Product Information for Rubbermaid Chug Bottles obtained from www.rubbermaid.com, 1 page.

Product Information for Rubbermaid Sip Bottles obtained from www.rubbermaid.com, 1 page.

Product Information for Rubbermaid Squirt-Top Bottles obtained from www.rubbermaid.com, 1 page.

* cited by examiner

Primary Examiner—Susan Bennett Hattan

(74) *Attorney, Agent, or Firm*—Lempia Braidwood LLC

(57) **CLAIM**

The ornamental design for a “beverage bottle lid,” as shown and described.

DESCRIPTION

FIG. 1 is a top, front, and right side perspective view showing our new design for a beverage bottle lid;

FIG. 2 is a right side view of the beverage bottle lid shown in FIG. 1, the left side view being a mirror image thereof;

FIG. 3 is a front view of the beverage bottle lid shown in FIG. 1;

FIG. 4 is a rear view of the beverage bottle lid shown in FIG. 1;

FIG. 5 is a top view of the beverage bottle lid shown in FIG. 1;

FIG. 6 is a bottom view of the beverage bottle lid shown in FIG. 1; and,

FIG. 7 is a top, front, and right side perspective view of the beverage bottle lid shown in FIG. 1 in the open position.

The subject matter shown in dashed lines are illustrative purposes only and form no part of the claimed design.

1 Claim, 5 Drawing Sheets

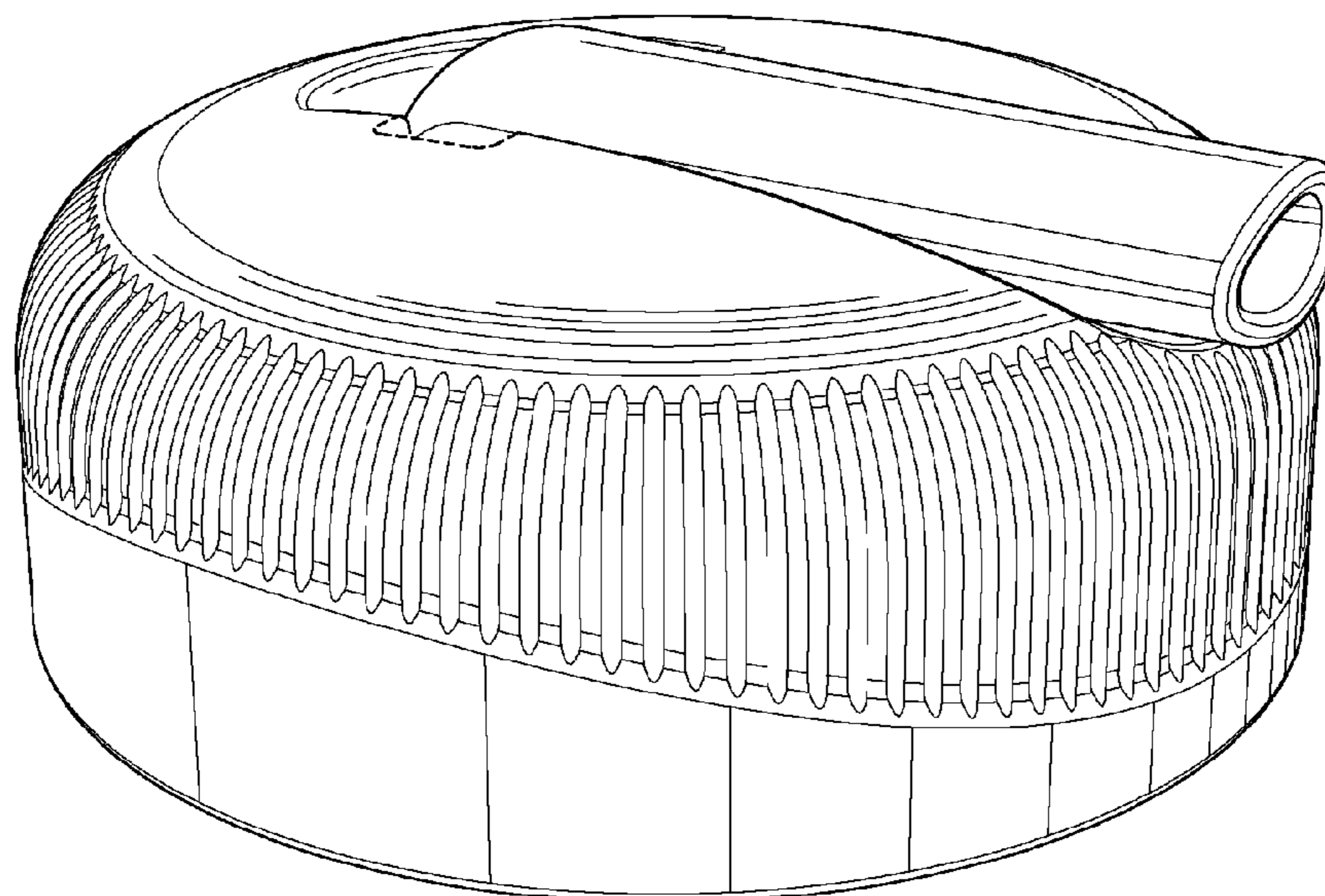


FIG. 1

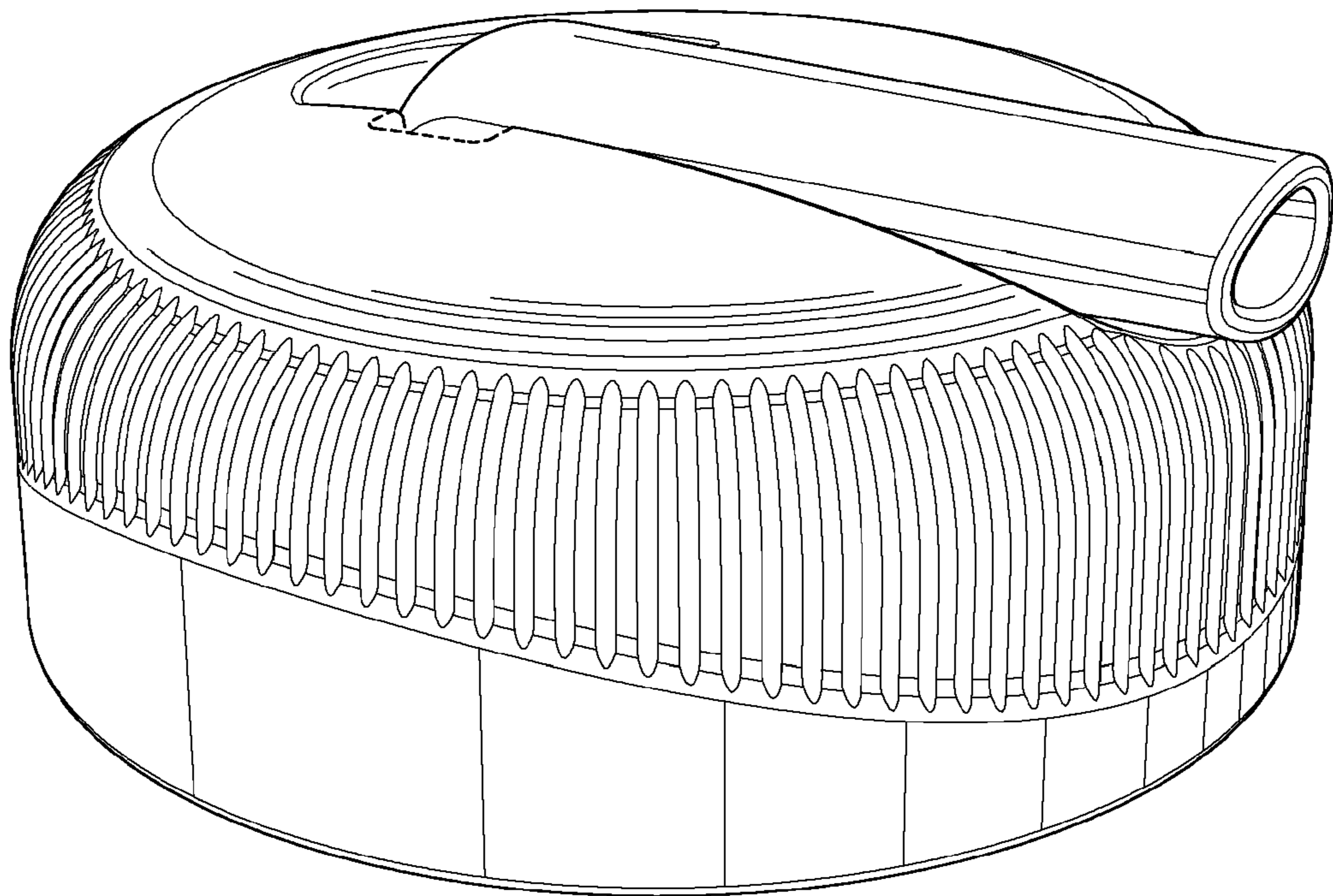


FIG. 2

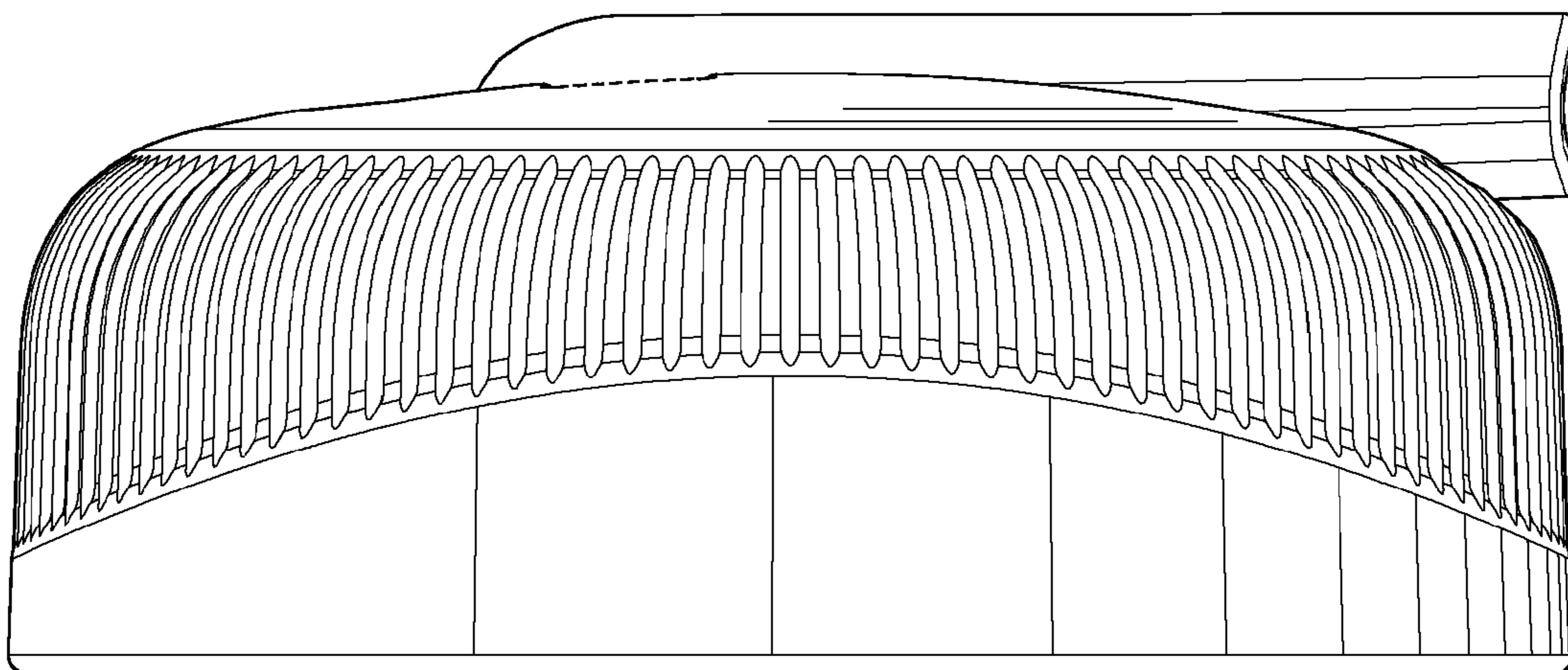


FIG. 3

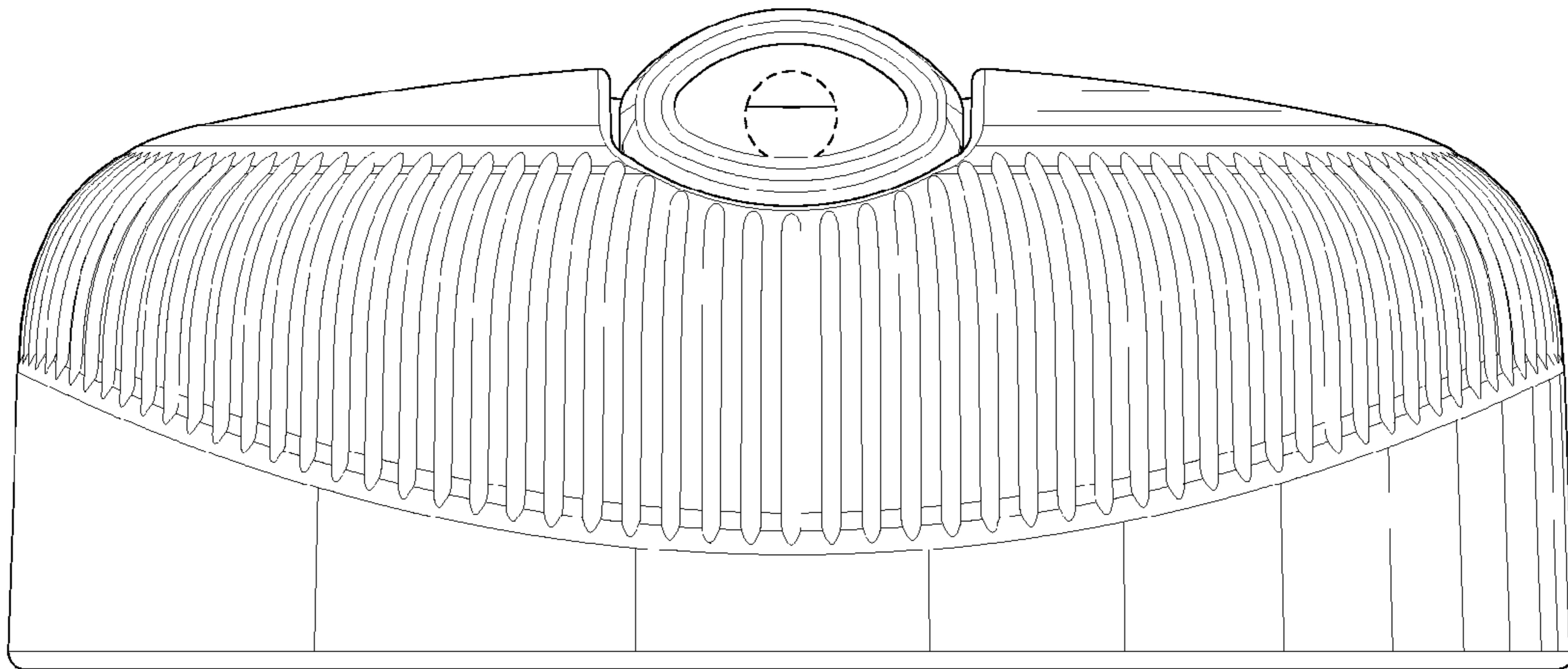


FIG. 4

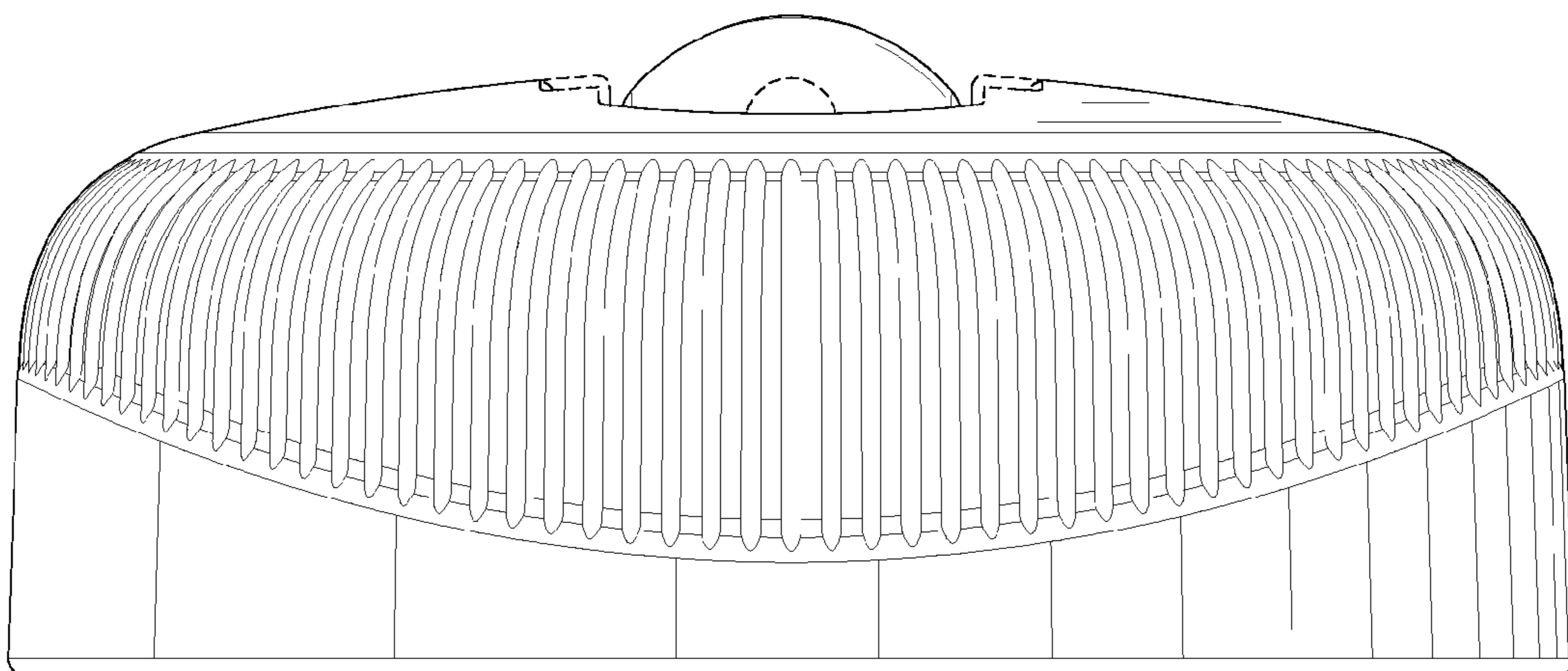


FIG. 5

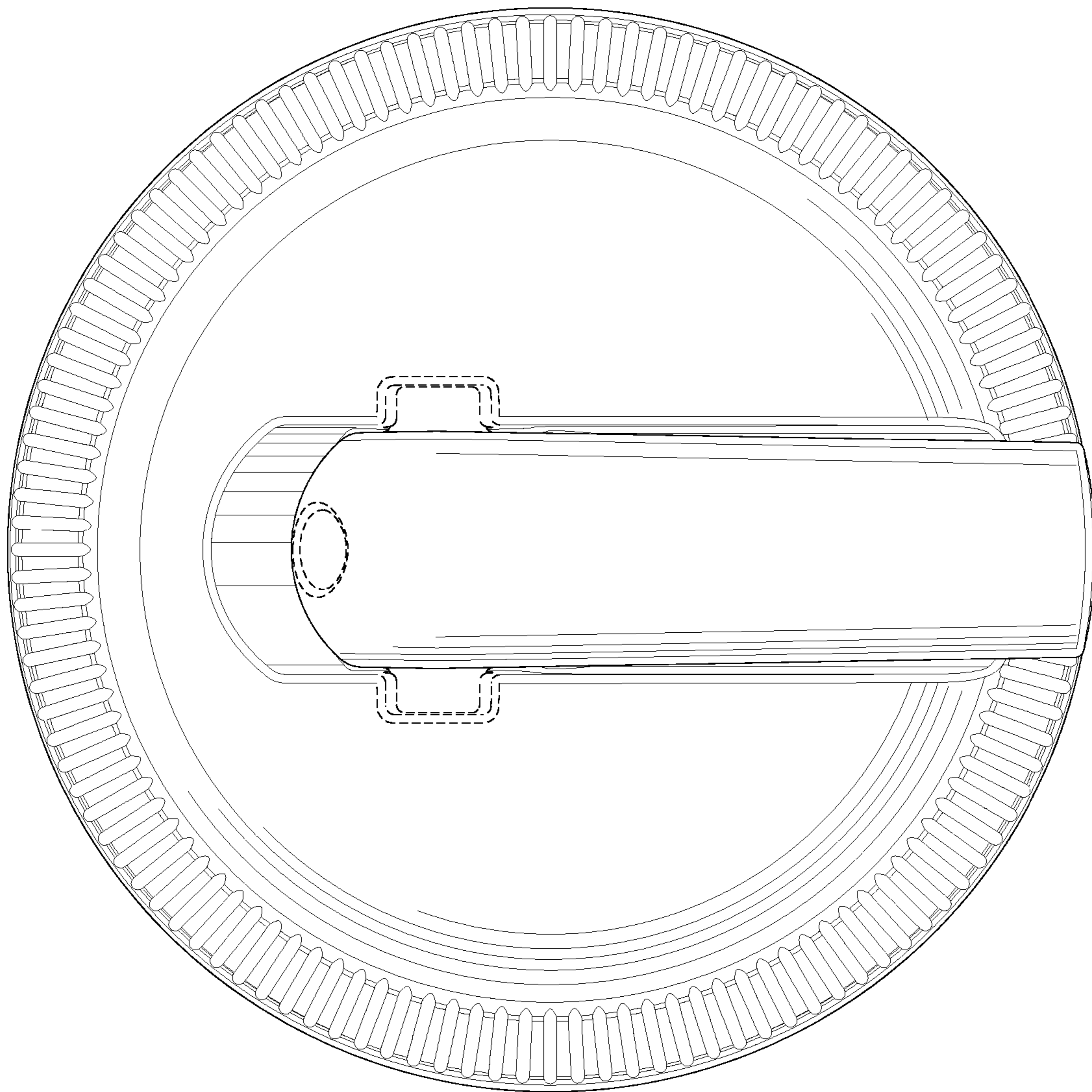


FIG. 6

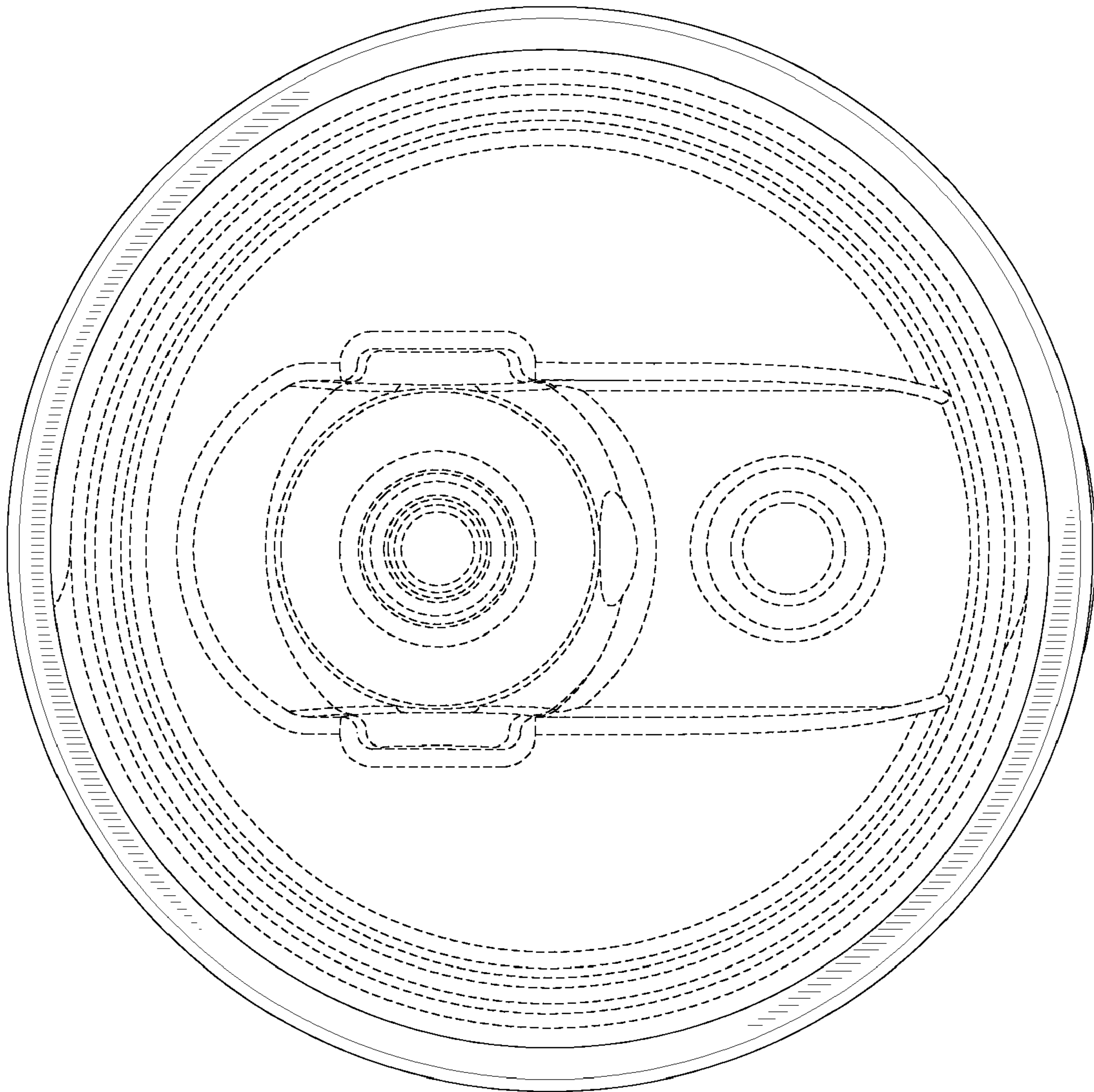


FIG. 7

