



US00D632175S

(12) **United States Design Patent**
Tu

(10) **Patent No.:** **US D632,175 S**

(45) **Date of Patent:** **** Feb. 8, 2011**

(54) **FOAM SPRAY GUN**

D523,337 S * 6/2006 Yang D9/448

(75) Inventor: **Xufeng Tu, Yuyao (CN)**

FOREIGN PATENT DOCUMENTS

(73) Assignee: **Zhejiang Jinma Industry Co., Ltd., Yuyao (CN)**

CN 3372584 6/2004

(**) Term: **14 Years**

* cited by examiner

(21) Appl. No.: **29/336,542**

Primary Examiner—Susan Bennett Hattan
(74) *Attorney, Agent, or Firm*—Birch, Stewart, Kolasch & Birch, LLP

(22) Filed: **May 5, 2009**

(30) **Foreign Application Priority Data**

(57) **CLAIM**

Dec. 30, 2008 (CN) 2008 3 0320837

The ornamental design for the foam spray gun, as shown and described.

(51) **LOC (9) Cl.** **09-07**

(52) **U.S. Cl.** **D9/448**

(58) **Field of Classification Search** D9/456,
D9/455, 448, 447, 445, 438, 434, 763, 772;
D7/605, 387, 213; D3/211, 207; D23/226;
40/307; 239/333, 331; 222/635, 631, 566,
222/321.9, 321.8, 321.7, 320, 251; 220/915,
220/269, 268, 258.5

See application file for complete search history.

DESCRIPTION

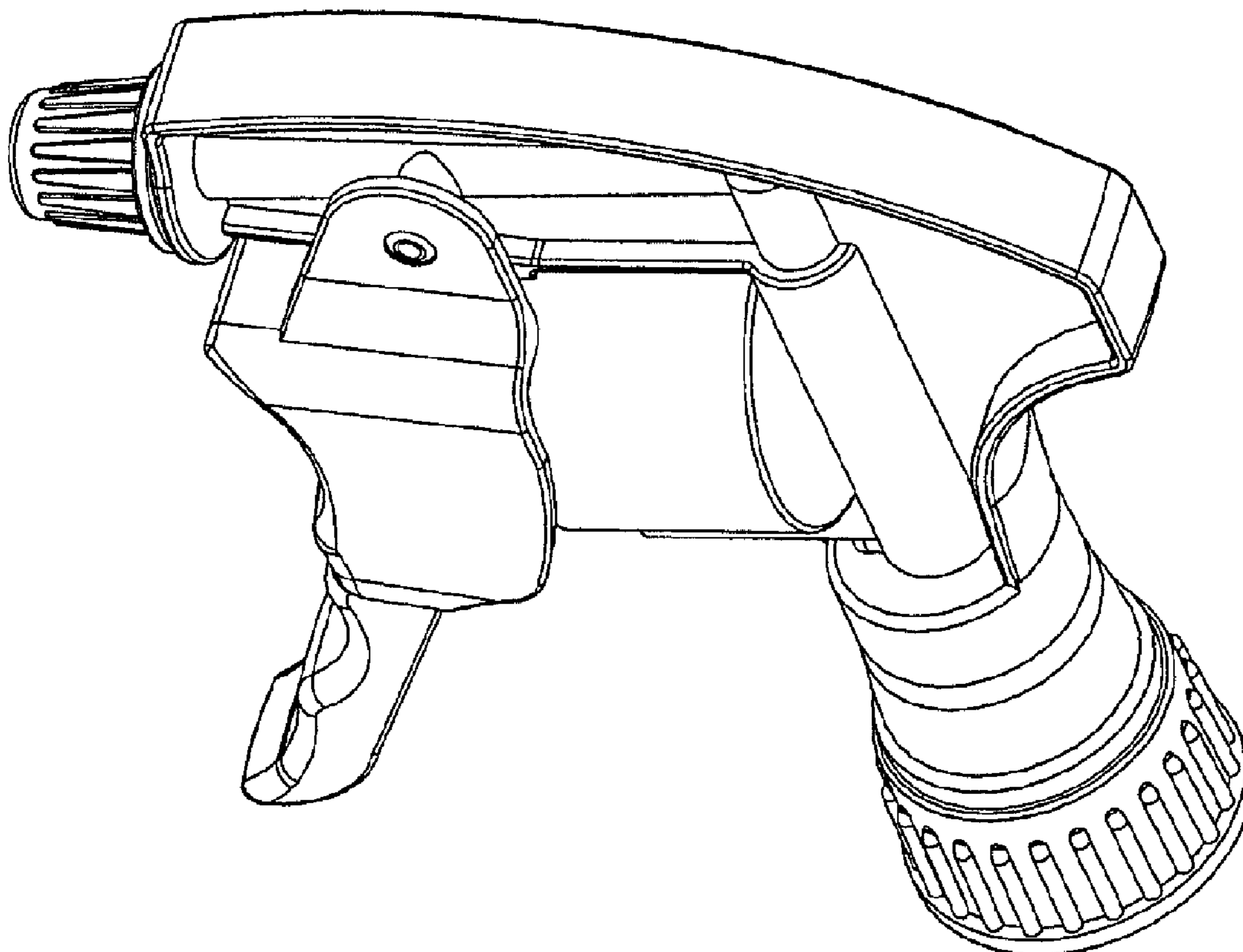
FIG. 1 is a front elevational view of a foam spray gun showing my new design;
FIG. 2 is a rear elevational view thereof;
FIG. 3 is a right side elevational view thereof;
FIG. 4 is a left side elevational view thereof;
FIG. 5 is a top plan view thereof; and,
FIG. 6 is a perspective view thereof.

(56) **References Cited**

U.S. PATENT DOCUMENTS

D447,415 S * 9/2001 Spengler D9/448

1 Claim, 5 Drawing Sheets



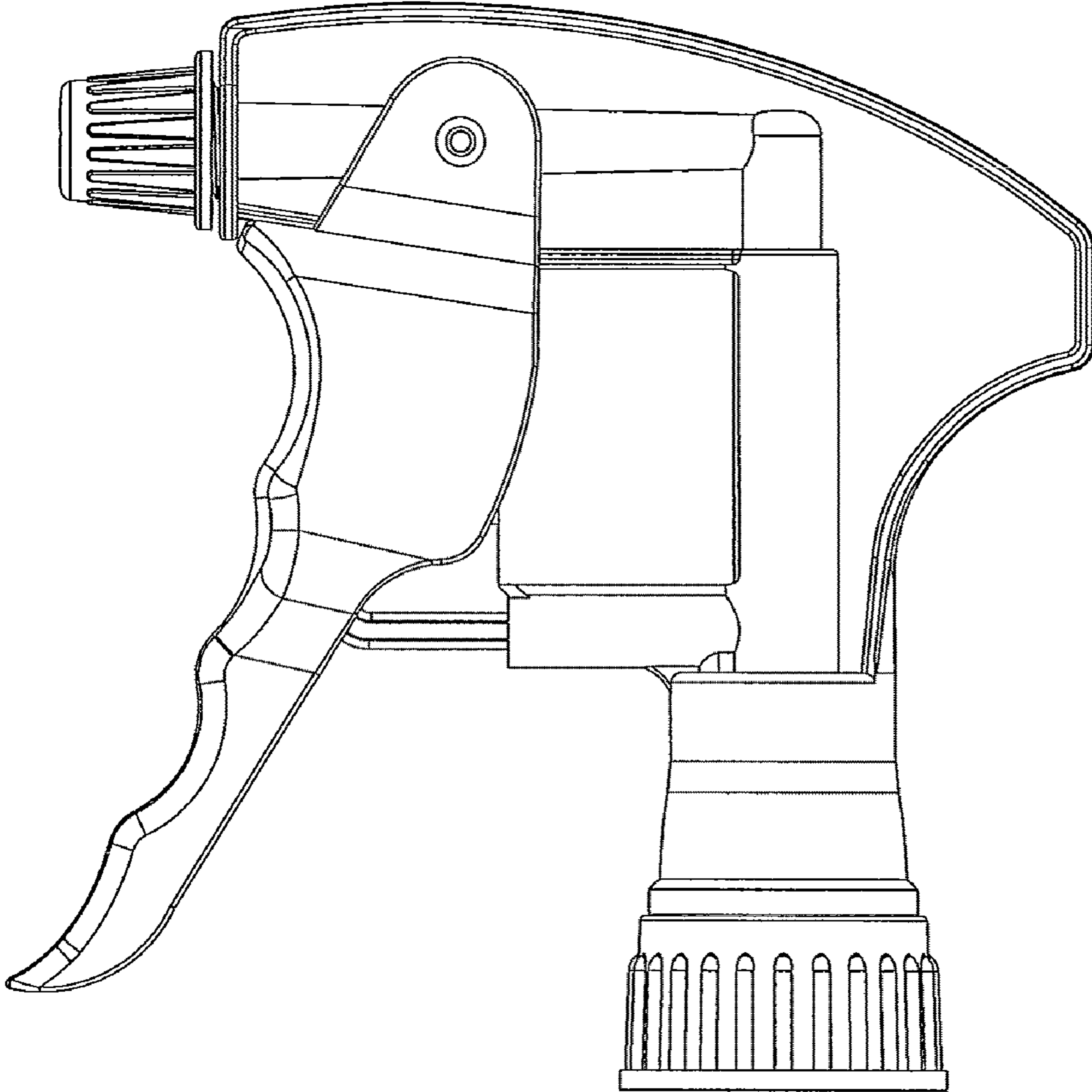


FIG. 1

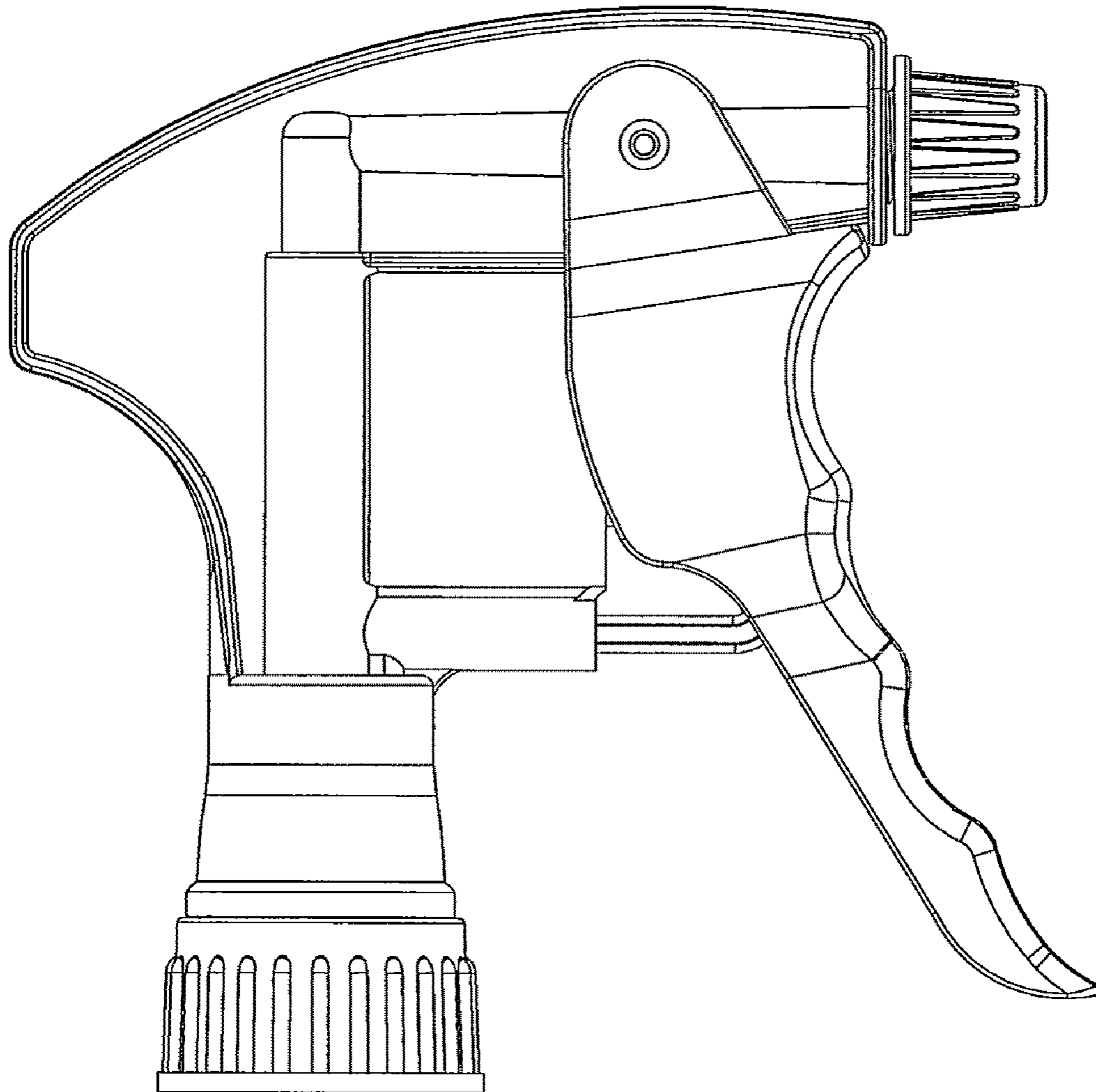


FIG. 2

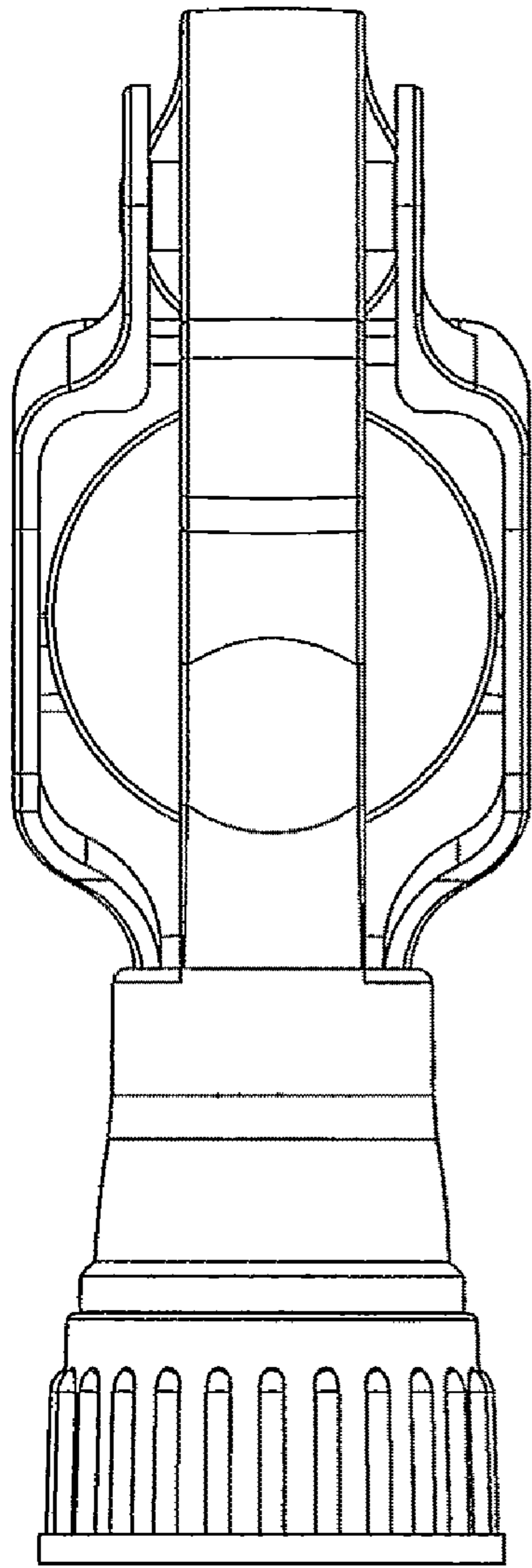


FIG. 3

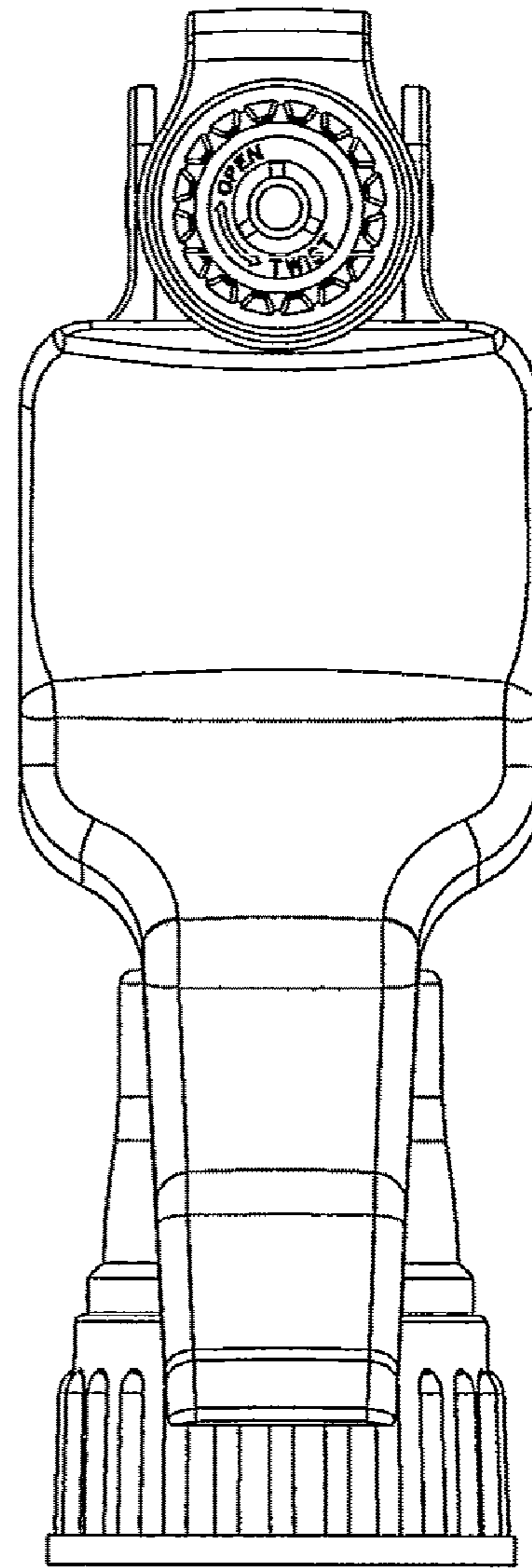


FIG. 4

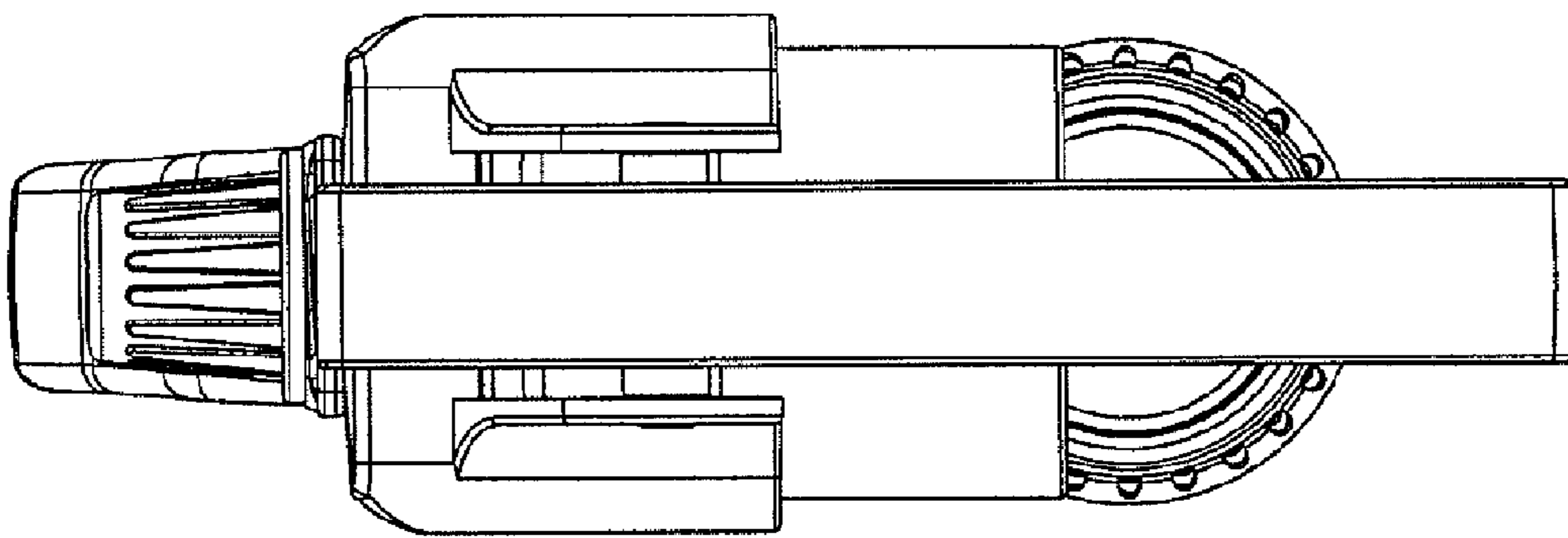


FIG. 5

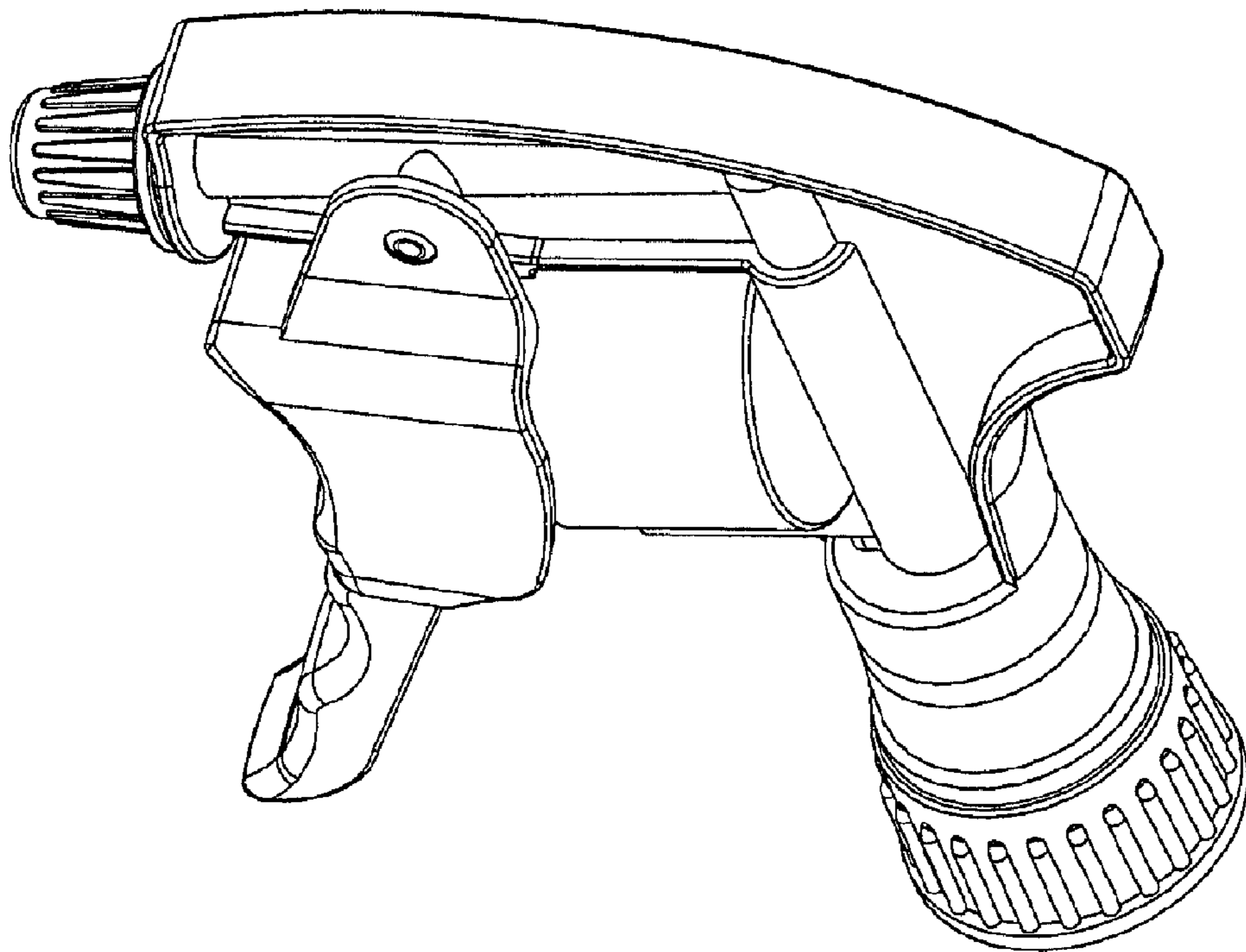


FIG. 6