



US00D632174S

(12) **United States Design Patent**
Charbonnet et al.

(10) **Patent No.:** **US D632,174 S**

(45) **Date of Patent:** **** Feb. 8, 2011**

(54) **DISPOSABLE BEVERAGE LID**

(76) Inventors: **Jonathan Charbonnet**, 1212 Overland Ct., Upland, CA (US) 91786; **Tricia Charbonnet**, 1212 Overland Ct., Upland, CA (US) 91786; **Nicholas Charbonnet**, 1212 Overland Ct., Upland, CA (US) 91786

(**) Term: **14 Years**

(21) Appl. No.: **29/360,860**

(22) Filed: **Apr. 30, 2010**

(51) **LOC (9) Cl.** **09-07**

(52) **U.S. Cl.** **D9/447; D9/454**

(58) **Field of Classification Search** D9/780, D9/778, 772, 763, 756, 556, 529, 518, 504, D9/503, 454, 450, 449, 447, 440, 438, 435, D9/434, 428, 425, 424; D7/584, 392.1, 549, D7/557, 601, 630, 396.2; 229/123.1; 222/556; 220/906, 806, 716, 713, 711, 359.3, 359.1, 220/285, 273, 265, 259.2–259.4, 258.2, 257.1, 220/254.4; 215/256, 249, 232, 216; 206/530
See application file for complete search history.

(56) **References Cited**

U.S. PATENT DOCUMENTS

571,708 A * 11/1896 Thompson 137/845
D30,094 S * 1/1899 Busch D9/434
D170,562 S * 10/1953 Tupper D7/615
D334,113 S * 3/1993 Lewis et al. D7/629
D365,519 S * 12/1995 Welch et al. D9/454
D397,062 S * 8/1998 Hollington D11/164
D417,847 S * 12/1999 Rush et al. D9/454

D436,731 S * 1/2001 Craft D3/320
D475,897 S * 6/2003 Zettle et al. D7/629
D475,925 S * 6/2003 Sturk D9/454
D516,424 S * 3/2006 Schweigert et al. D9/447
D563,220 S * 3/2008 Krivoshein D9/454
D592,952 S * 5/2009 Hundley et al. D9/447
D604,614 S * 11/2009 Janboecke D9/454
D623,474 S * 9/2010 Carlson et al. D7/510
2006/0243734 A1 * 11/2006 Tedford, Jr. 220/780

* cited by examiner

Primary Examiner—Susan Bennett Hattan

(74) *Attorney, Agent, or Firm*—Shelley M. Cobos; Loza & Loza, LLP

(57) **CLAIM**

The ornamental design of a disposable beverage lid, as shown and described.

DESCRIPTION

FIG. 1 is a perspective view of a disposable beverage lid of the present invention;

FIG. 2 is a rear view of a disposable beverage lid of the present invention;

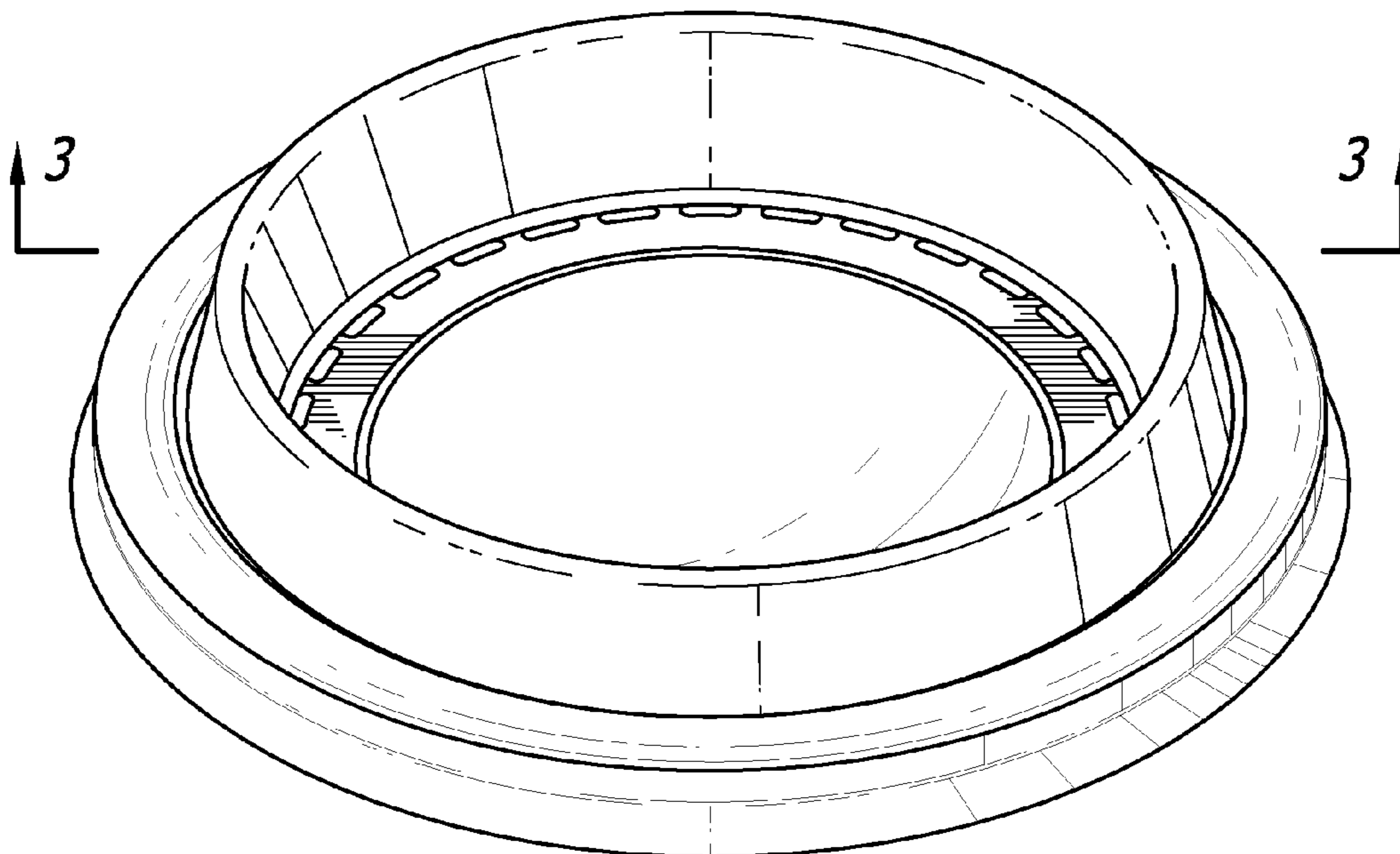
FIG. 3 is a cross-sectional view of a disposable beverage lid of the present invention taken at line 3—3 on FIG. 1;

FIG. 4 is a top view of a disposable beverage lid of the present invention;

FIG. 5 is a side view of disposable beverage lid of the present invention; and,

FIG. 6 is a bottom view of a disposable beverage lid of the present invention.

1 Claim, 2 Drawing Sheets



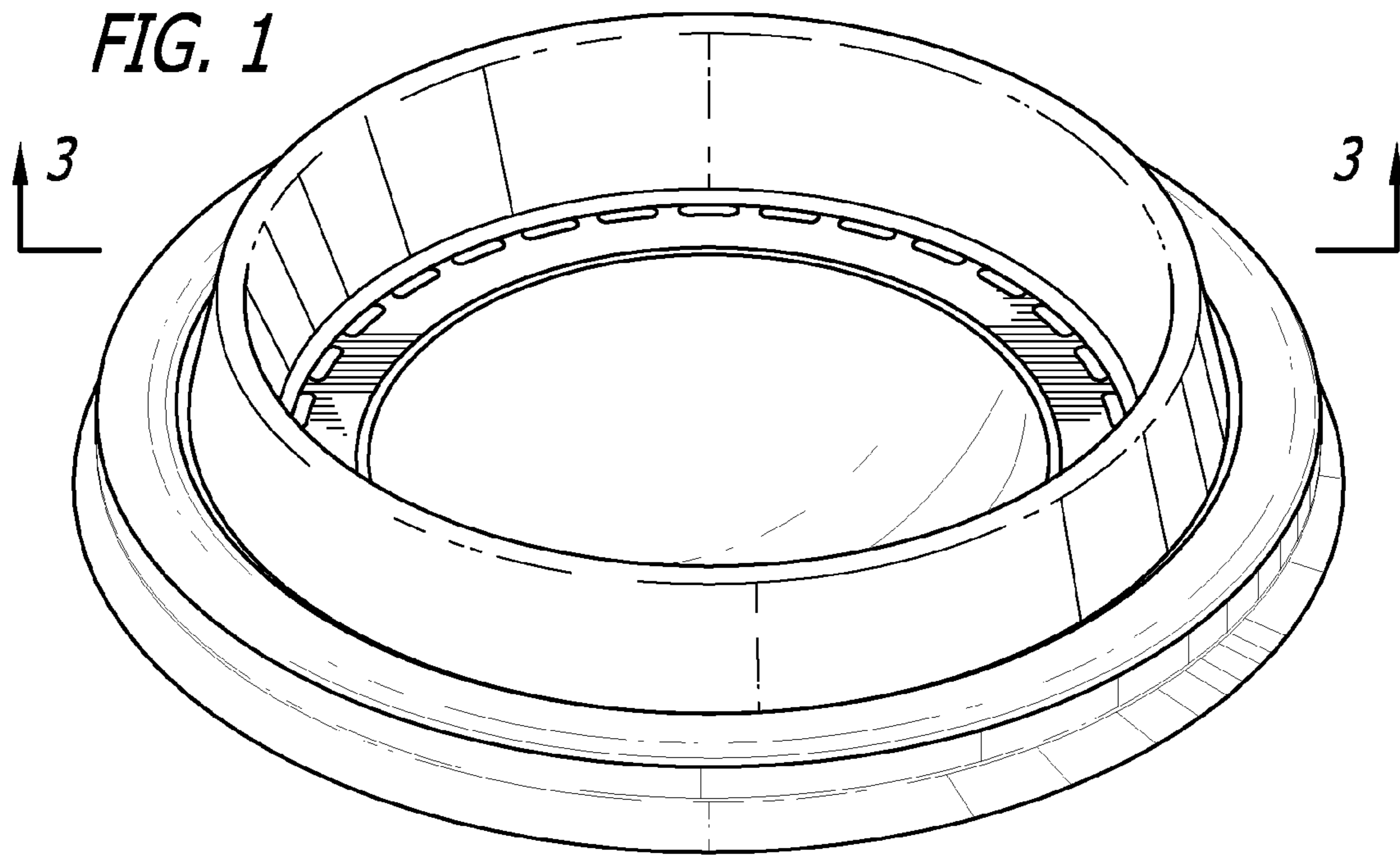


FIG. 2

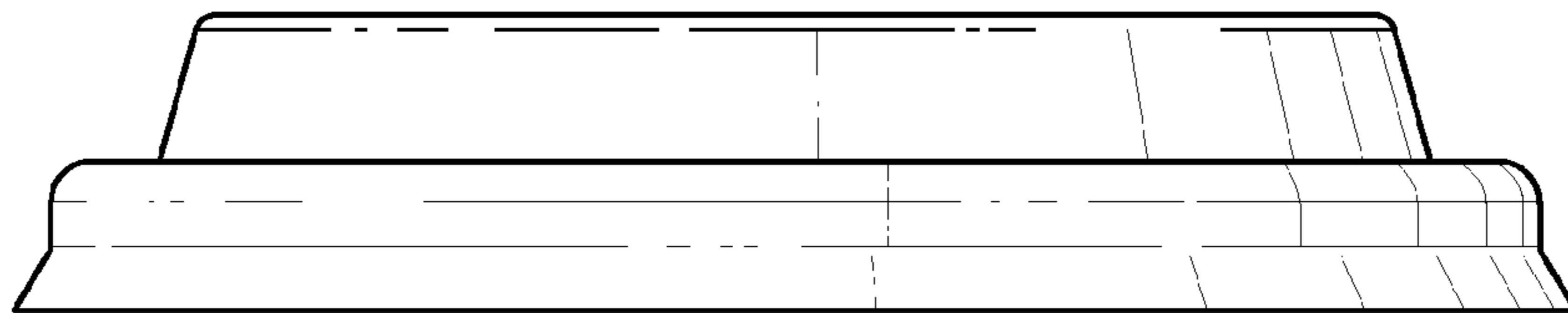


FIG. 3

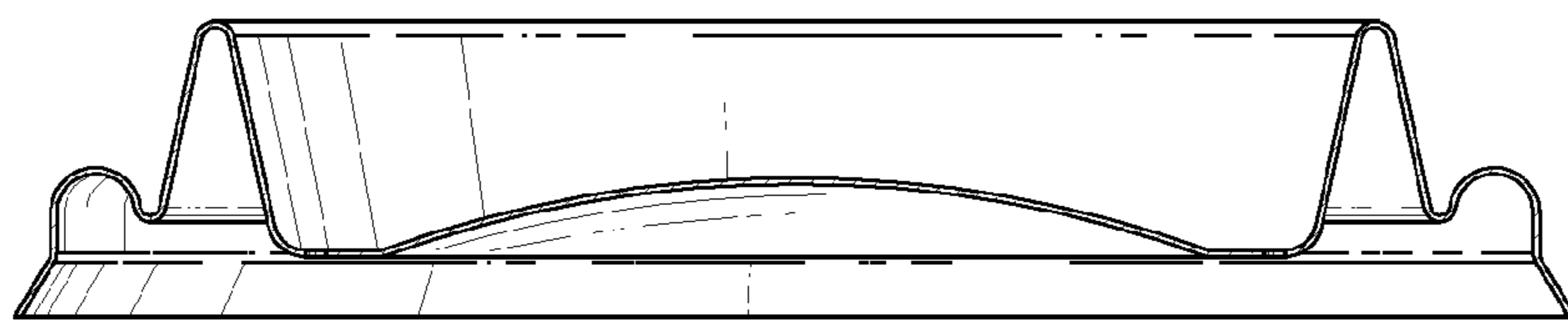


FIG. 4

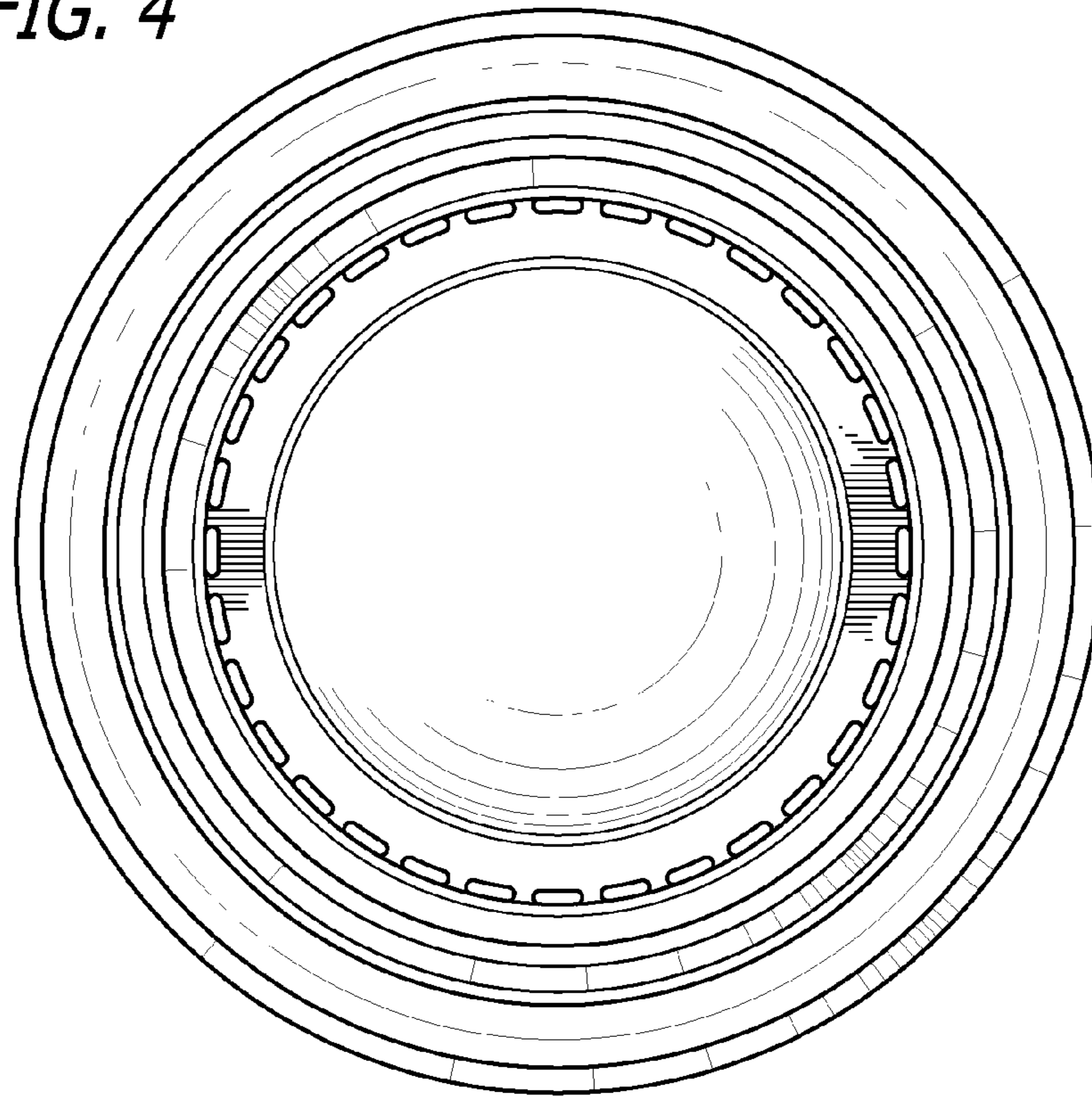


FIG. 5

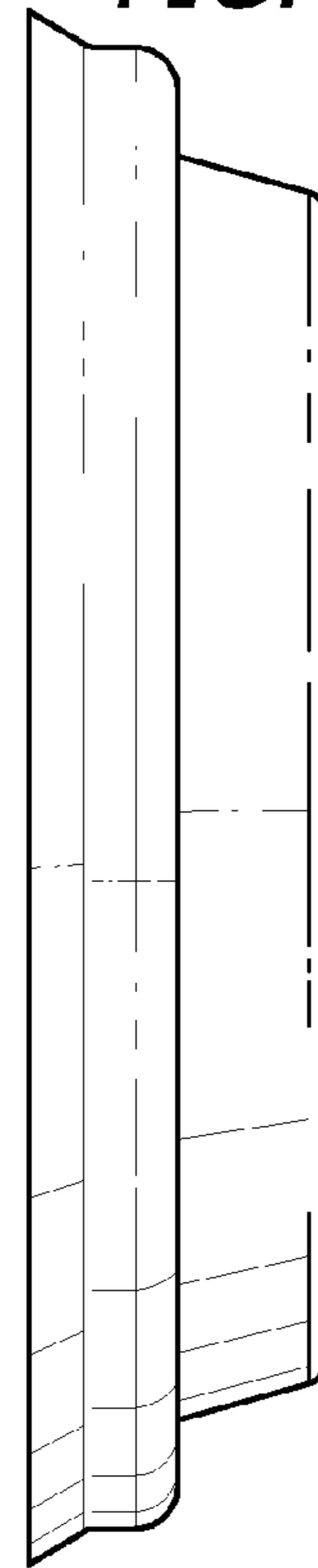


FIG. 6

