



US00D632173S

(12) **United States Design Patent**
Makita

(10) **Patent No.:** **US D632,173 S**

(45) **Date of Patent:** **** *Feb. 8, 2011**

(54) **BOTTOM LID FOR A DISPENSING BOTTLE CAP**

(75) Inventor: **Masayuki Makita**, Matsumoto (JP)

(73) Assignee: **BZI Co. Ltd.**, Nagano-ken (JP)

(*) Notice: This patent is subject to a terminal disclaimer.

(**) Term: **14 Years**

(21) Appl. No.: **29/329,847**

(22) Filed: **Dec. 22, 2008**

(30) **Foreign Application Priority Data**

Jun. 25, 2008 (JP) 2008-016345

(51) **LOC (9) Cl.** **09-07**

(52) **U.S. Cl.** **D9/447; D9/438**

(58) **Field of Classification Search** D9/902,
D9/763, 516, 453, 447, 438, 435, 440; D7/510,
D7/396.2; D28/7; D24/224, 130, 112; D23/206;
D10/101; 604/228; 222/82, 566, 539, 529,
222/526, 521, 478, 321.6, 153.13, 158; 221/63,
221/45; 220/716, 270; 215/257; 206/219
See application file for complete search history.

(56) **References Cited**

U.S. PATENT DOCUMENTS

D294,458 S * 3/1988 Wilmott et al. D9/434
D420,744 S * 2/2000 Ostgaard et al. D24/224
D471,667 S * 3/2003 Angeletta D28/7
D472,143 S * 3/2003 Martin et al. D9/434

D584,407 S * 1/2009 Kawamura D24/130
D586,472 S * 2/2009 Harold et al. D24/224
2004/0154937 A1 * 8/2004 Cho 206/219
2004/0200741 A1 * 10/2004 Cho 206/219
2009/0131878 A1 * 5/2009 Kawamura et al. 604/228

* cited by examiner

Primary Examiner—Susan Bennett Hattan

(74) *Attorney, Agent, or Firm*—William J. Sapone; Coleman Sudof Sapone P.C.

(57) **CLAIM**

I claim the ornamental design for a bottom lid for a dispensing bottle cap, as shown and described.

DESCRIPTION

FIG. 1 is a top view of the bottom lid for a dispensing bottle cap showing my new design;

FIG. 2 is a bottom view thereof;

FIG. 3 is perspective view of the bottom lid shown in an open position, the dispensing bottle cap shown in phantom;

FIG. 4 is a first side view of the bottom lid;

FIG. 5 is a second side view thereof;

FIG. 6 is a third side view thereof;

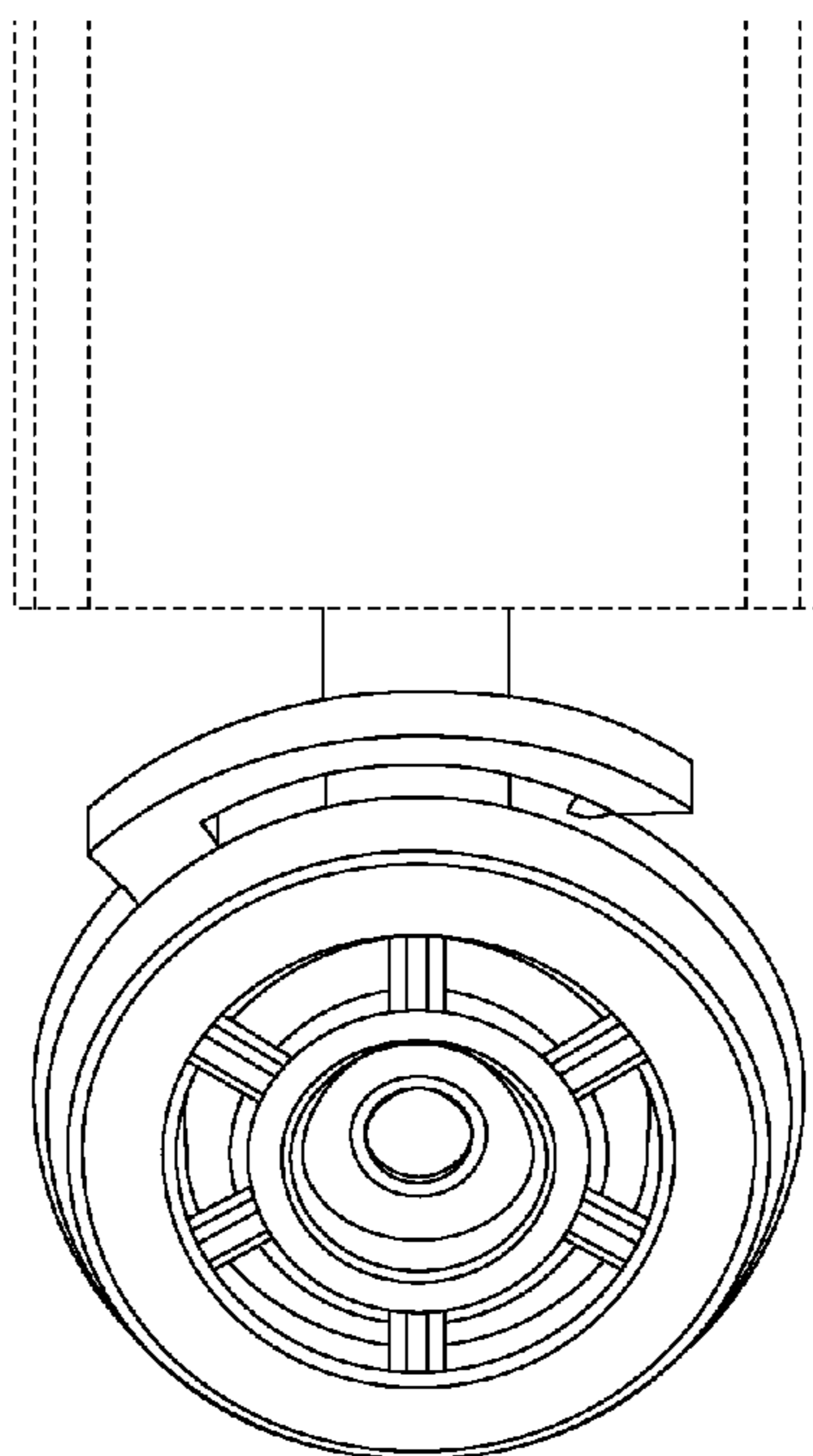
FIG. 7 is a fourth side view thereof;

FIG. 8 is another side view thereof showing the dispensing bottle cap in phantom; and,

FIG. 9 is another perspective view of the lid.

The broken lines in the drawing depict environmental subject matter only and form no part of the claimed design.

1 Claim, 4 Drawing Sheets



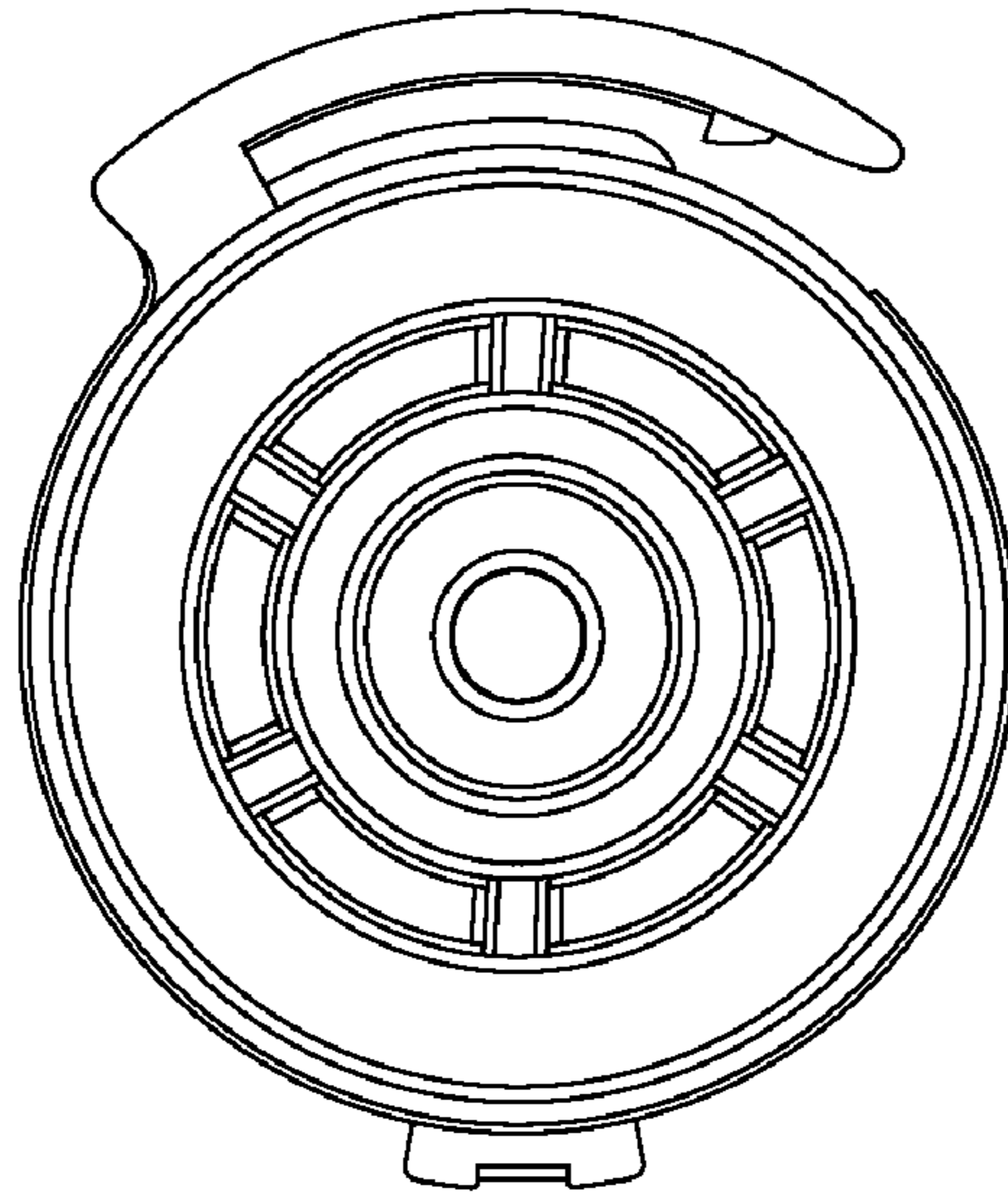


Fig. 1

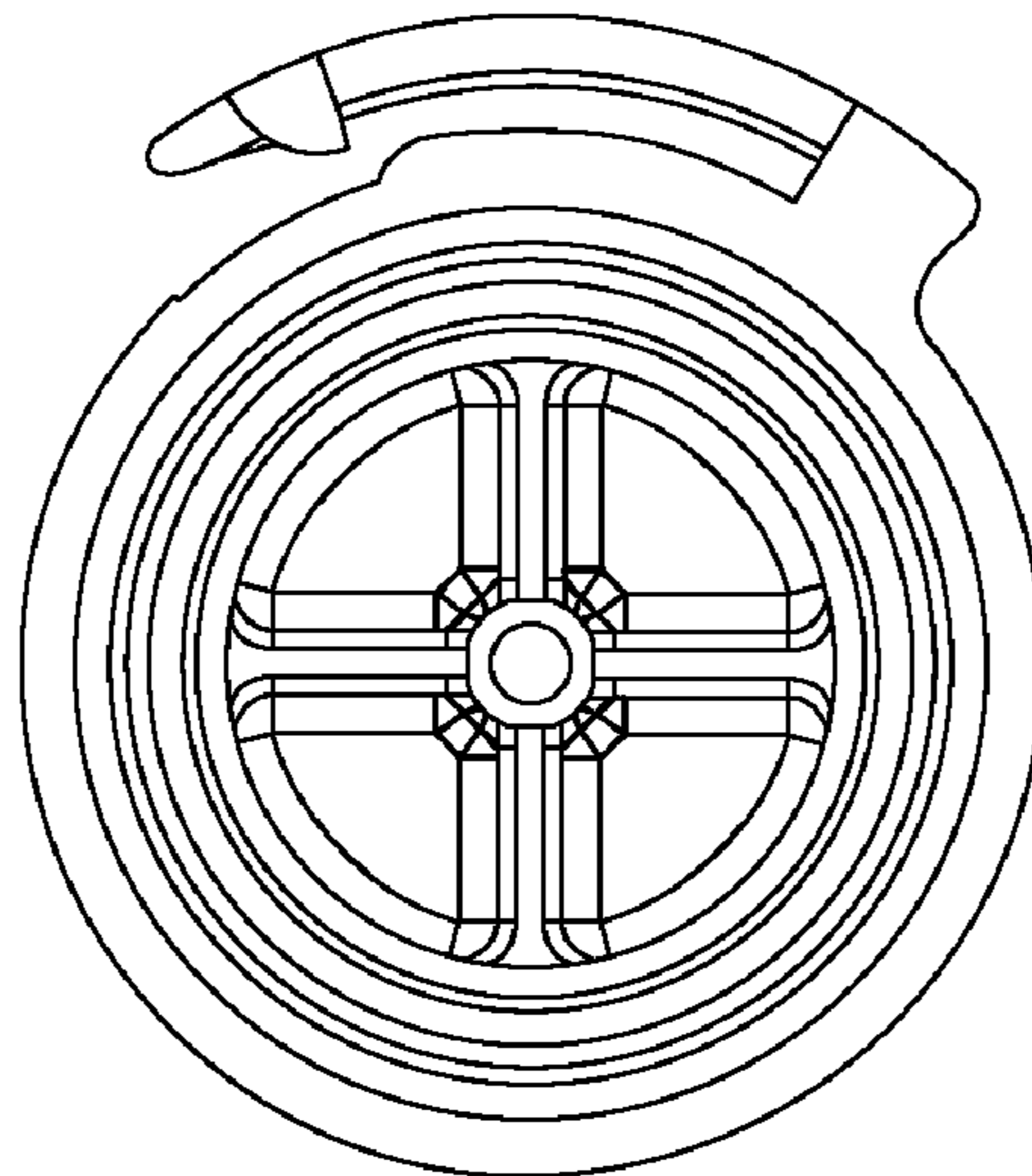


Fig. 2

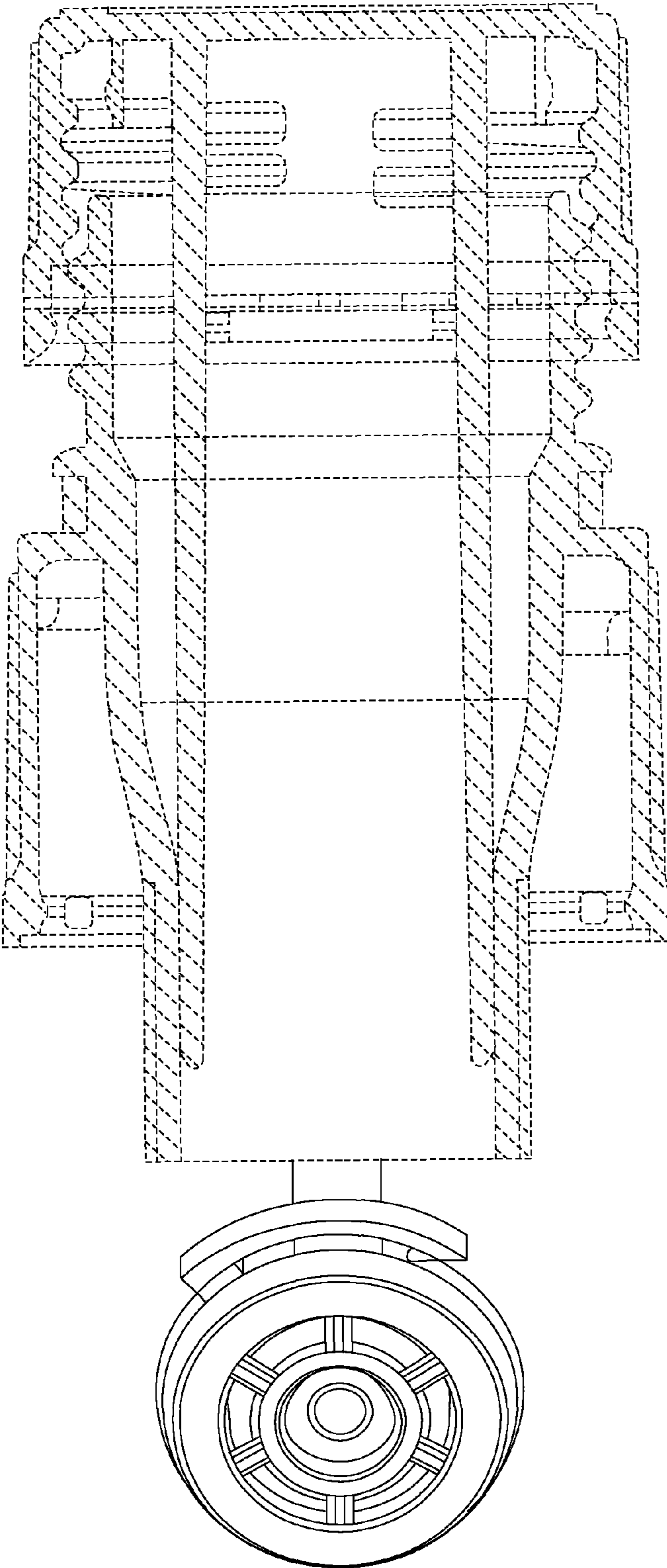


Fig. 3

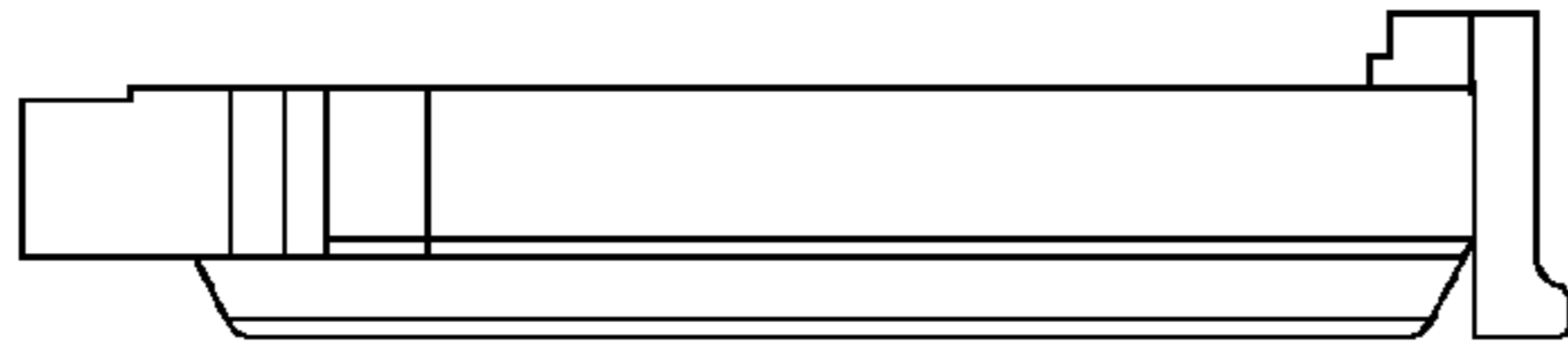


Fig. 4

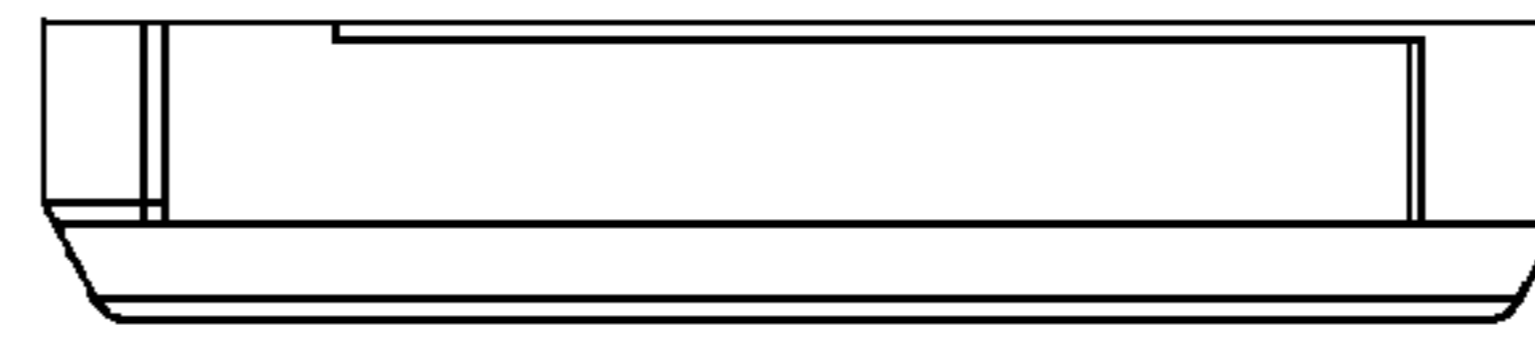


Fig. 5

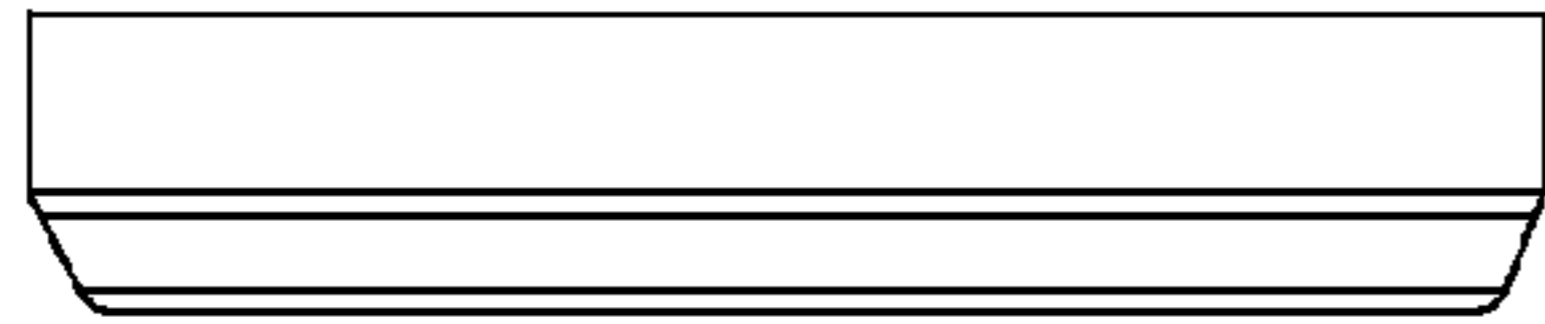


Fig. 6

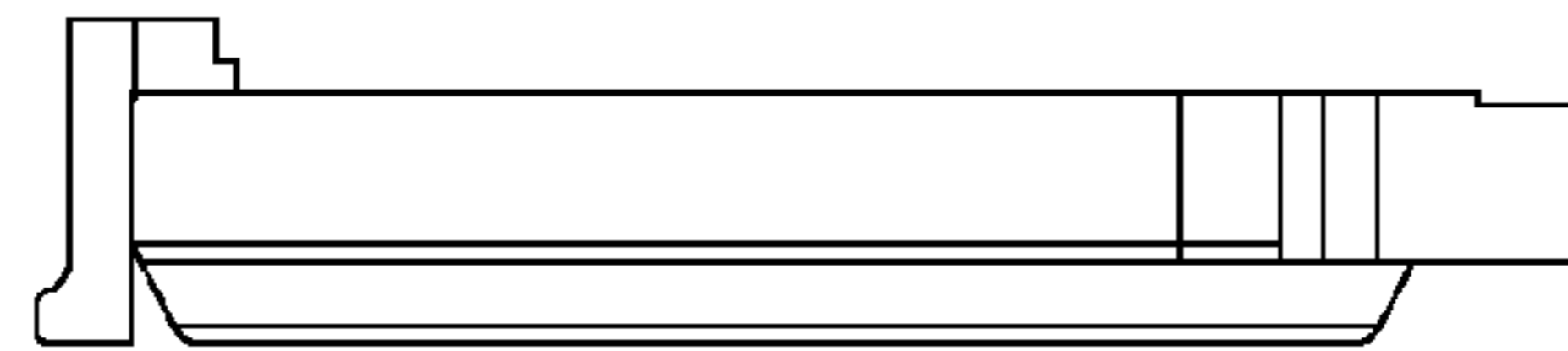


Fig. 7

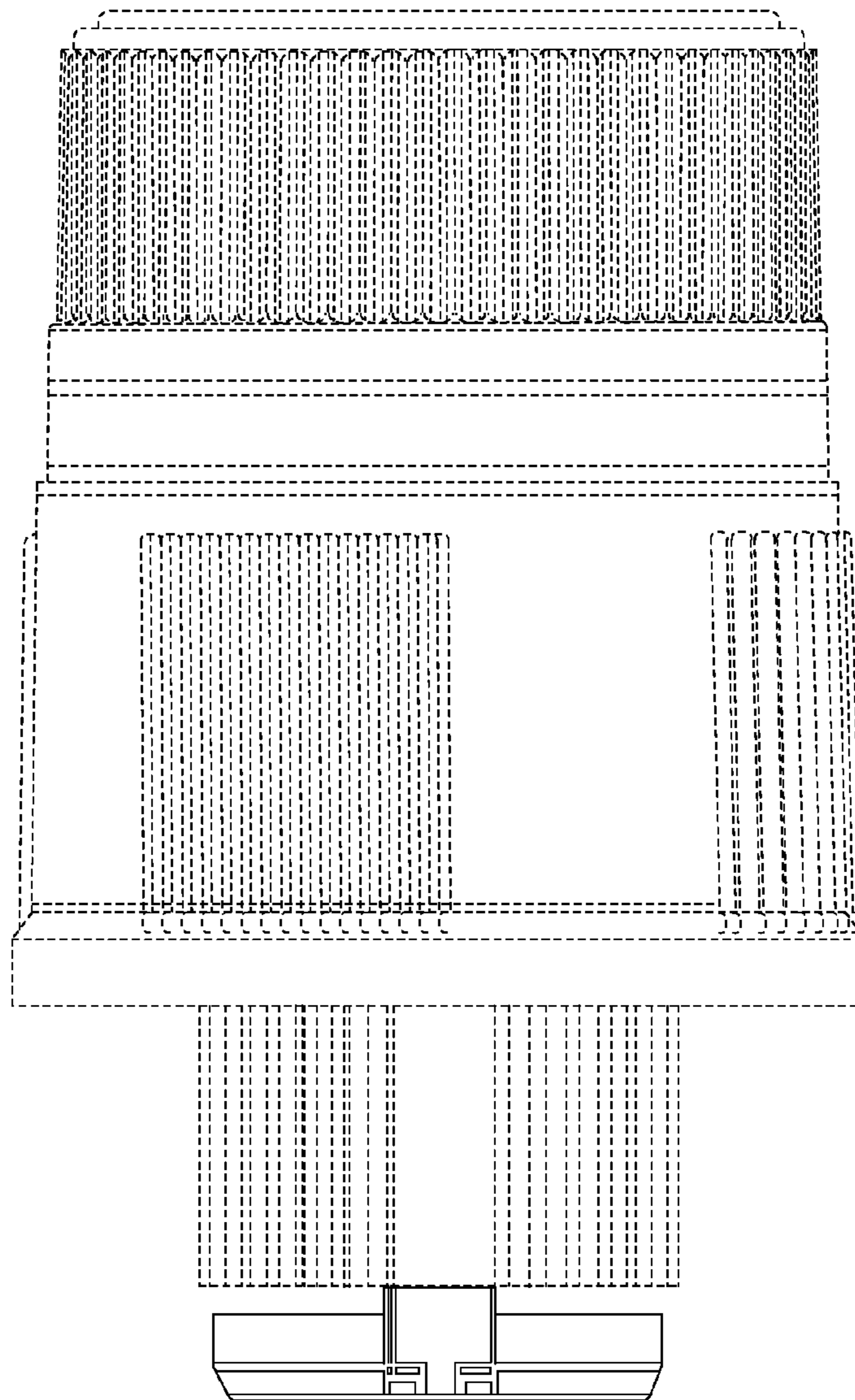


Fig. 8

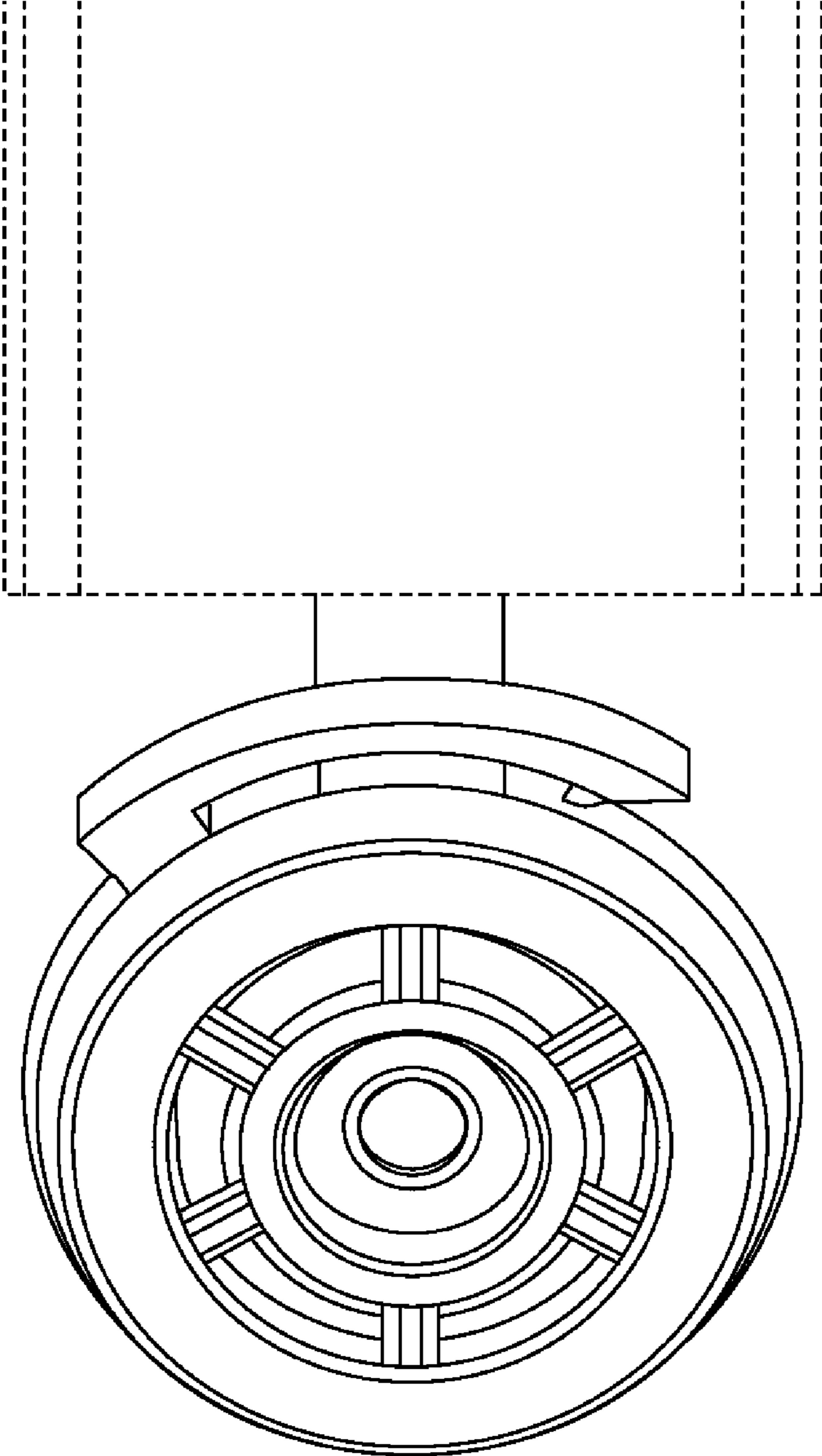


Fig. 9