



US00D632172S

(12) **United States Design Patent**  
**Harvey et al.**

(10) **Patent No.:** **US D632,172 S**  
(45) **Date of Patent:** **\*\* Feb. 8, 2011**

- (54) **BOX**
- (75) Inventors: **Sean Richard Harvey**, London (GB);  
**Adam Derek Kershaw Swan**, London (GB)
- (73) Assignee: **Conopco, Inc.**, Englewood Cliffs, NJ (US)
- (\*\*) Term: **14 Years**
- (21) Appl. No.: **29/360,412**
- (22) Filed: **Apr. 26, 2010**
- (30) **Foreign Application Priority Data**  
Oct. 28, 2009 (GB) ..... 4013043
- (51) **LOC (9) Cl.** ..... **09-03**
- (52) **U.S. Cl.** ..... **D9/432**
- (58) **Field of Classification Search** ..... D9/430-433,  
D9/414, 418, 420-423; D3/272; 206/278,  
206/297, 299, 457, 770, 737, 822; 229/87.08,  
229/100, 101, 101.2, 101.3, 106, 108, 108.1,  
229/116.1, 116.3, 116.5, 121, 122, 193, 195,  
229/197, 201, 213, 221, 222, 227, 922, 939,  
229/942; D5/32

See application file for complete search history.

(56) **References Cited**

**U.S. PATENT DOCUMENTS**

D266,145 S *	9/1982	Sayama	.....	D9/659
D357,860 S *	5/1995	Lee	.....	D9/600
D373,080 S *	8/1996	Prosperi et al.	.....	D9/418
D476,817 S *	7/2003	Wessblad et al.	.....	D5/32
D535,190 S *	1/2007	Chen et al.	.....	D9/652
D536,988 S *	2/2007	Kusumi et al.	.....	D9/624
D546,673 S *	7/2007	Mongeon et al.	.....	D9/432
D554,499 S *	11/2007	Bone et al.	.....	D9/432
D554,500 S *	11/2007	Bone et al.	.....	D9/432
D554,501 S *	11/2007	Bone et al.	.....	D9/432
D556,572 S *	12/2007	Mongeon et al.	.....	D9/432

D566,545 S *	4/2008	Bone et al.	.....	D9/432
D567,080 S *	4/2008	Bone et al.	.....	D9/432
D581,263 S *	11/2008	Suyama et al.	.....	D9/415
D586,210 S *	2/2009	Noschang et al.	.....	D9/434
D587,111 S *	2/2009	Seol et al.	.....	D9/432
D588,909 S *	3/2009	Kim	.....	D9/433
D588,910 S *	3/2009	Kim	.....	D9/433
D590,250 S *	4/2009	Seol	.....	D9/432
D590,251 S *	4/2009	Seol et al.	.....	D9/432
D590,252 S *	4/2009	Seol et al.	.....	D9/432
D590,253 S *	4/2009	Seol et al.	.....	D9/432
D593,410 S *	6/2009	Schwartz	.....	D9/434
D597,412 S *	8/2009	Kusumi	.....	D9/624
D599,201 S *	9/2009	Seol et al.	.....	D9/432
D600,548 S *	9/2009	Seol et al.	.....	D9/432
D601,888 S *	10/2009	Arnell	.....	D9/434
D601,889 S *	10/2009	Arnell	.....	D9/434
D601,890 S *	10/2009	Arnell	.....	D9/434
D603,701 S *	11/2009	Seol et al.	.....	D9/432
D605,504 S *	12/2009	Bone	.....	D9/432
D608,636 S *	1/2010	Seol	.....	D9/432
D617,186 S *	6/2010	Bone	.....	D9/432
D621,702 S *	8/2010	Tekulve et al.	.....	D9/432

\* cited by examiner

*Primary Examiner*—Thomas J Johannes  
(74) *Attorney, Agent, or Firm*—Alan A. Bornstein

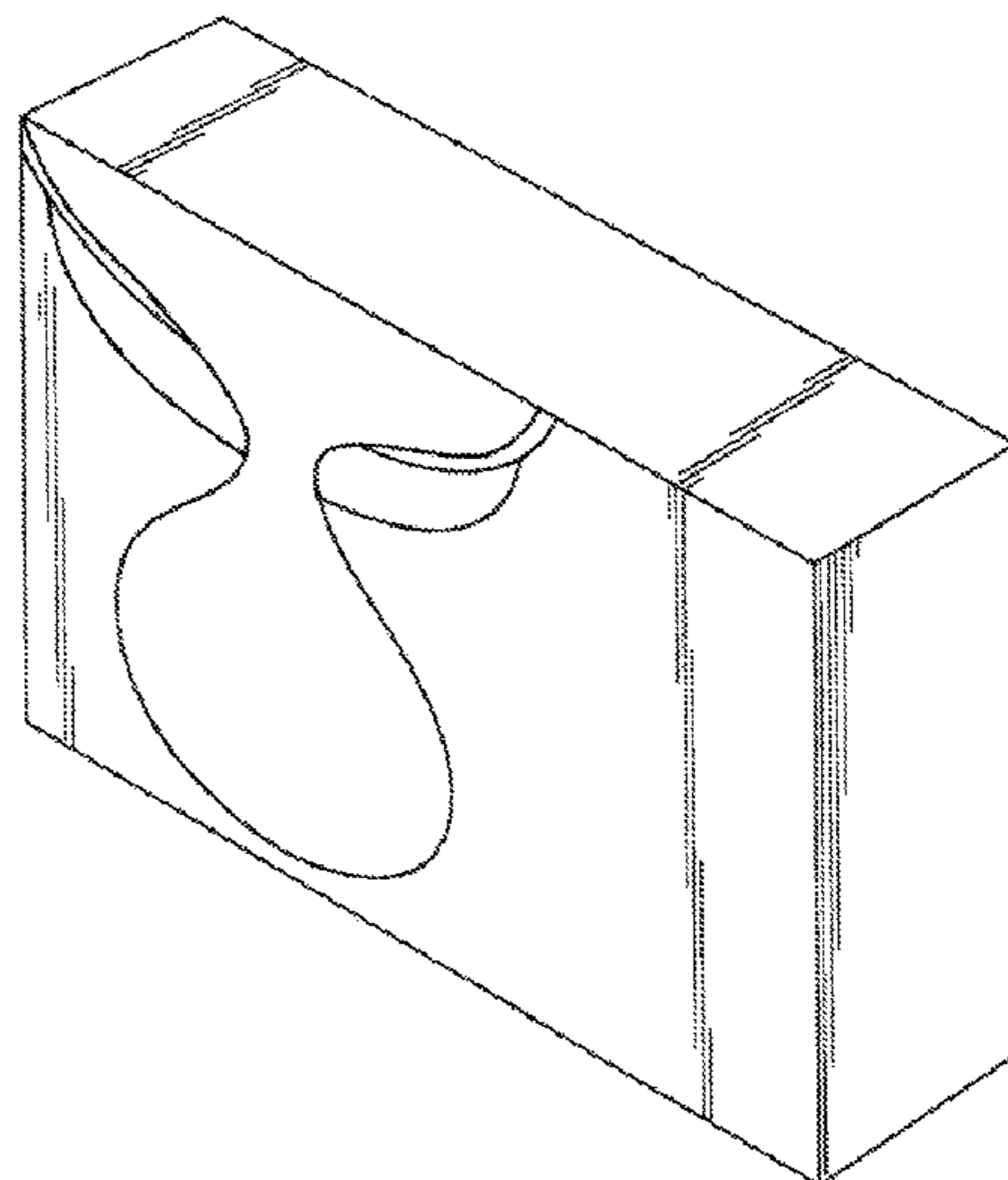
(57) **CLAIM**

The ornamental design for the box, as shown and described.

**DESCRIPTION**

FIG. 1 is a perspective view of a box, showing our new design;  
FIG. 2 is a front elevational view thereof;  
FIG. 3 is a rear elevational view thereof;  
FIG. 4 is a left side elevational view thereof;  
FIG. 5 is a right side elevational view thereof;  
FIG. 6 is a top plan view thereof; and,  
FIG. 7 is a bottom plan view thereof.

**1 Claim, 3 Drawing Sheets**



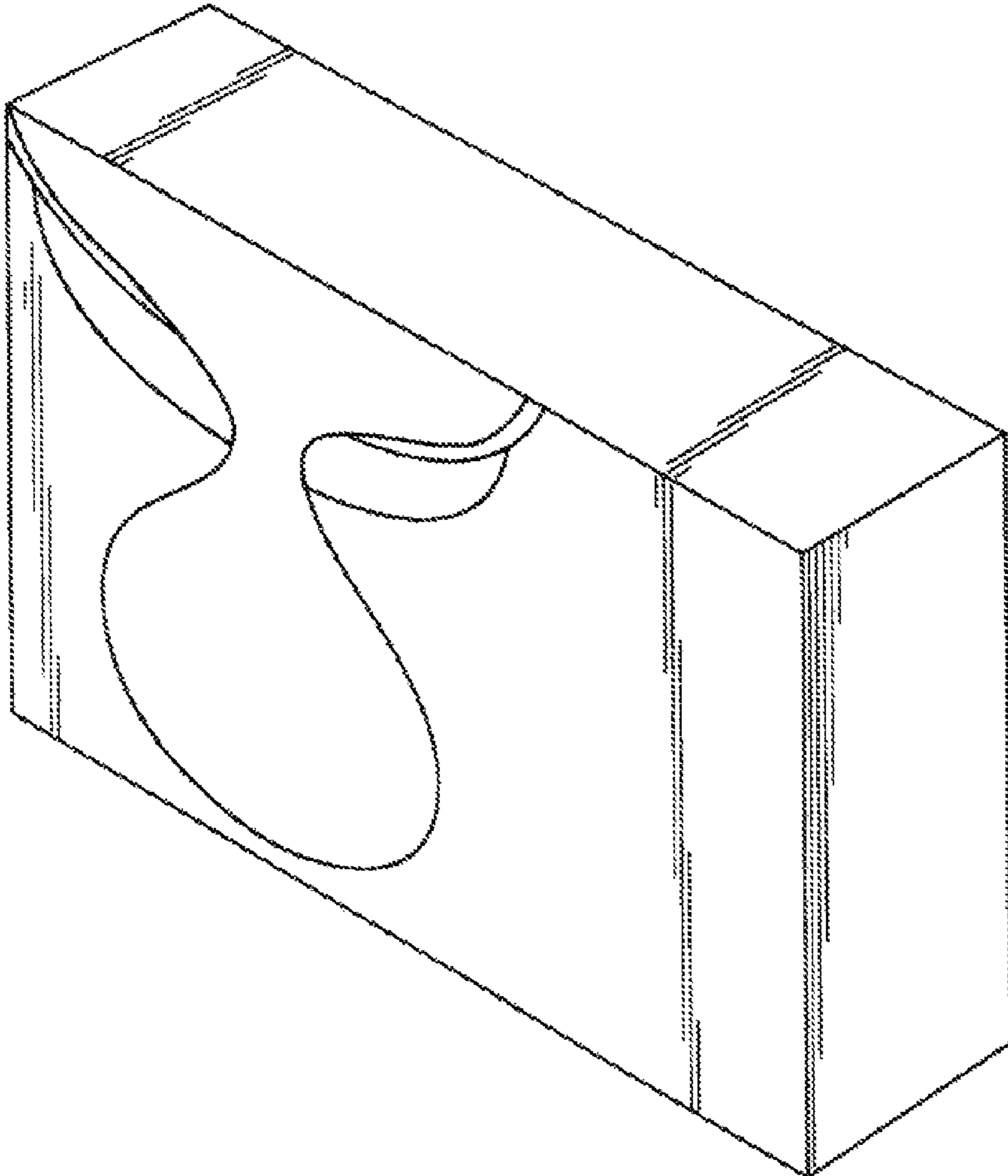


Fig. 1.

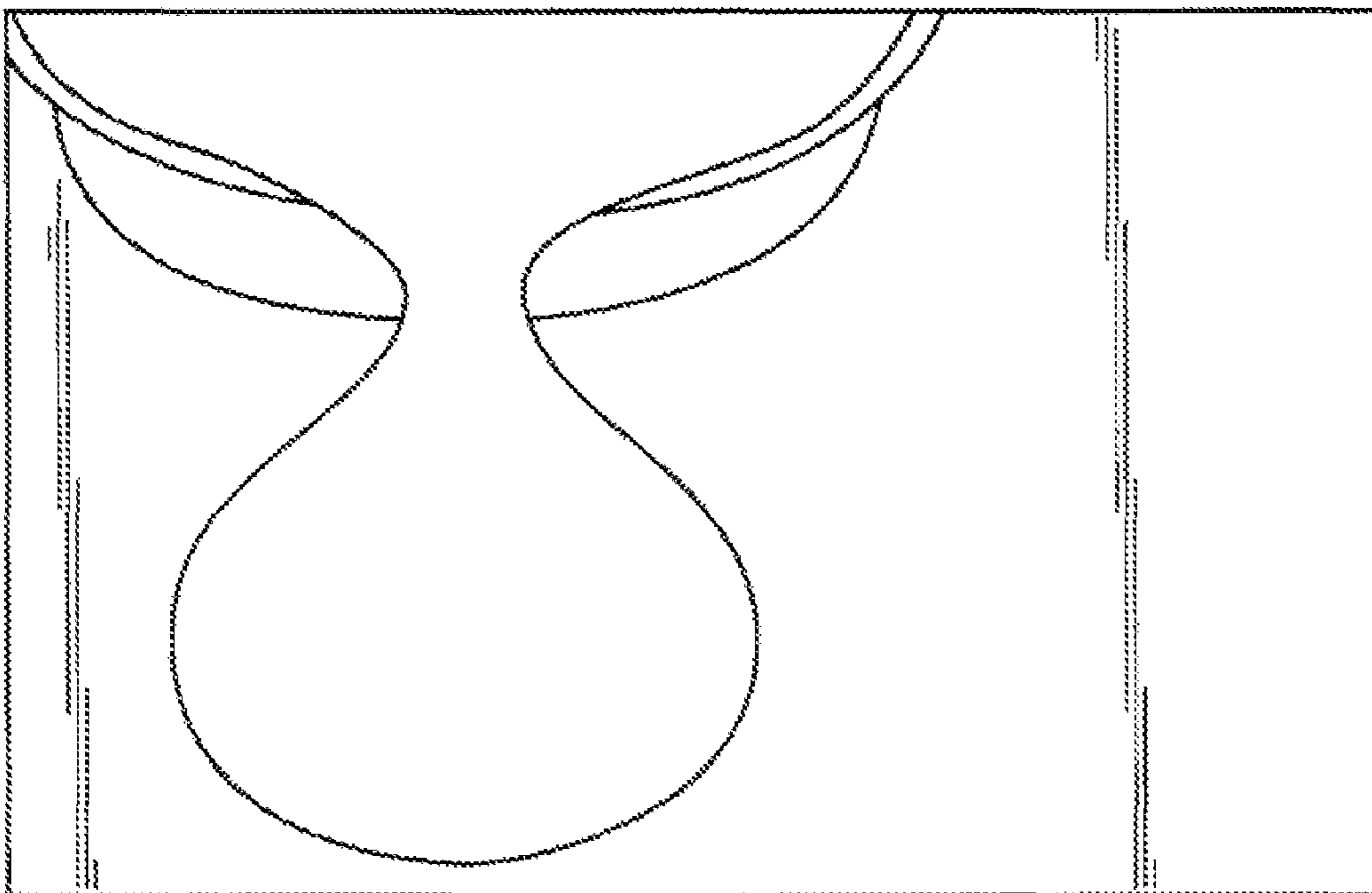


Fig.2.

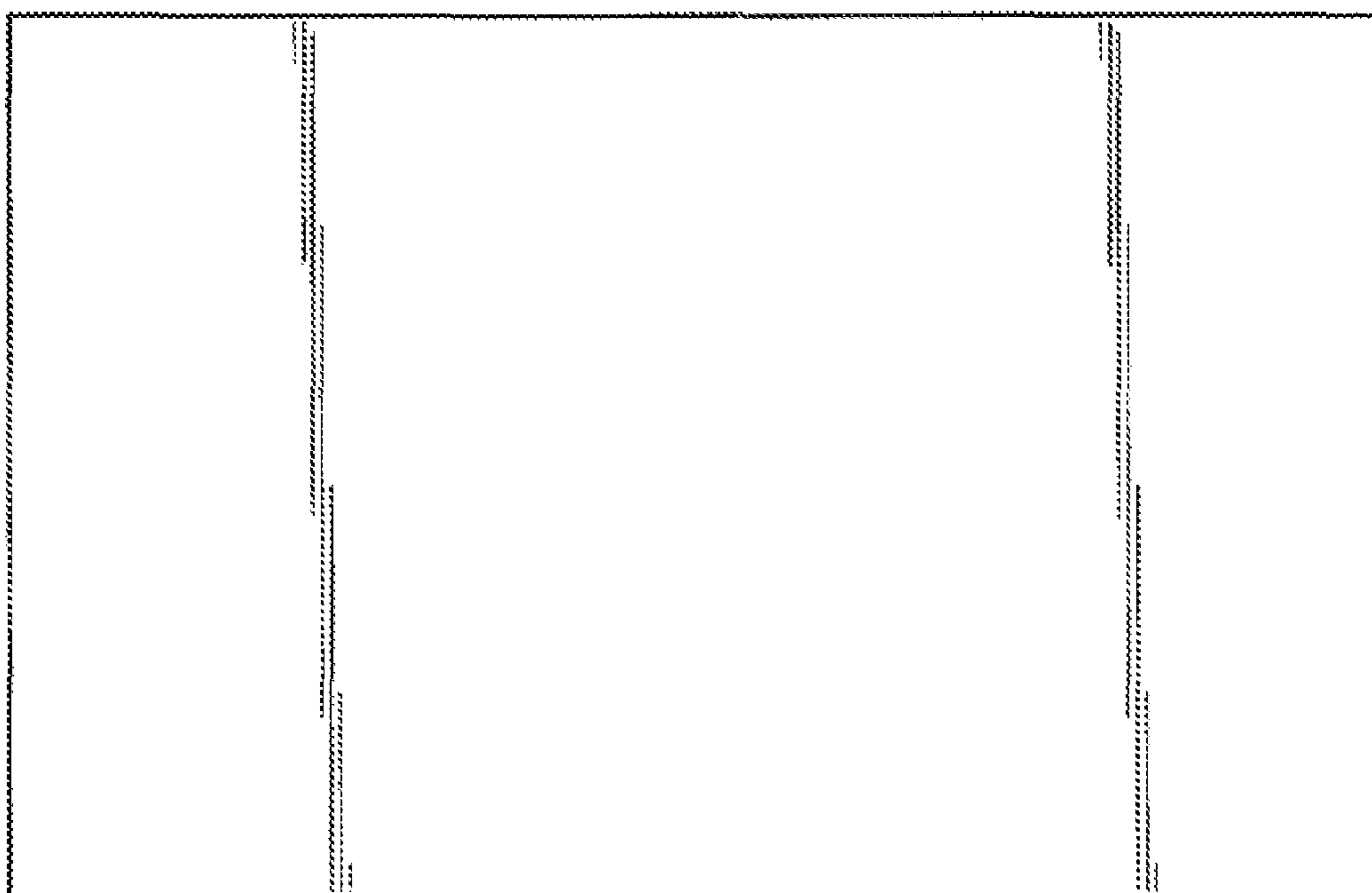


Fig.3.

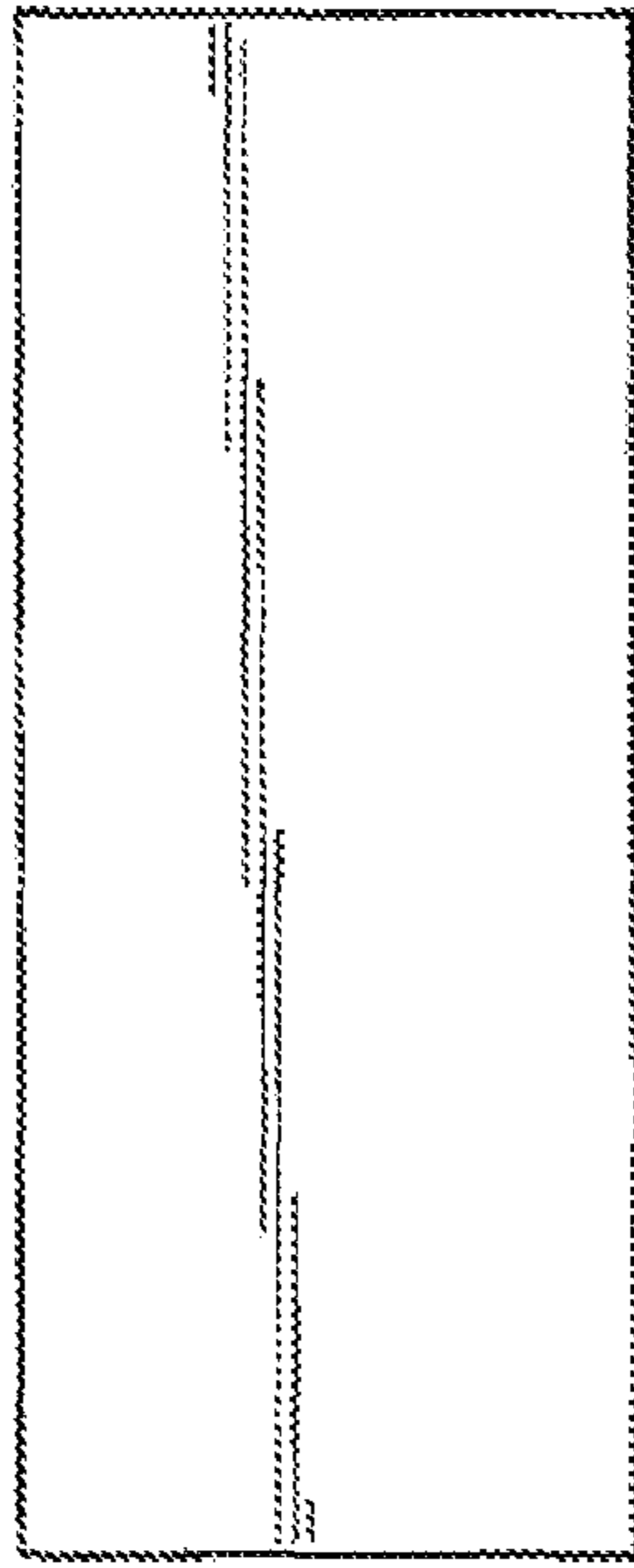


Fig.4.

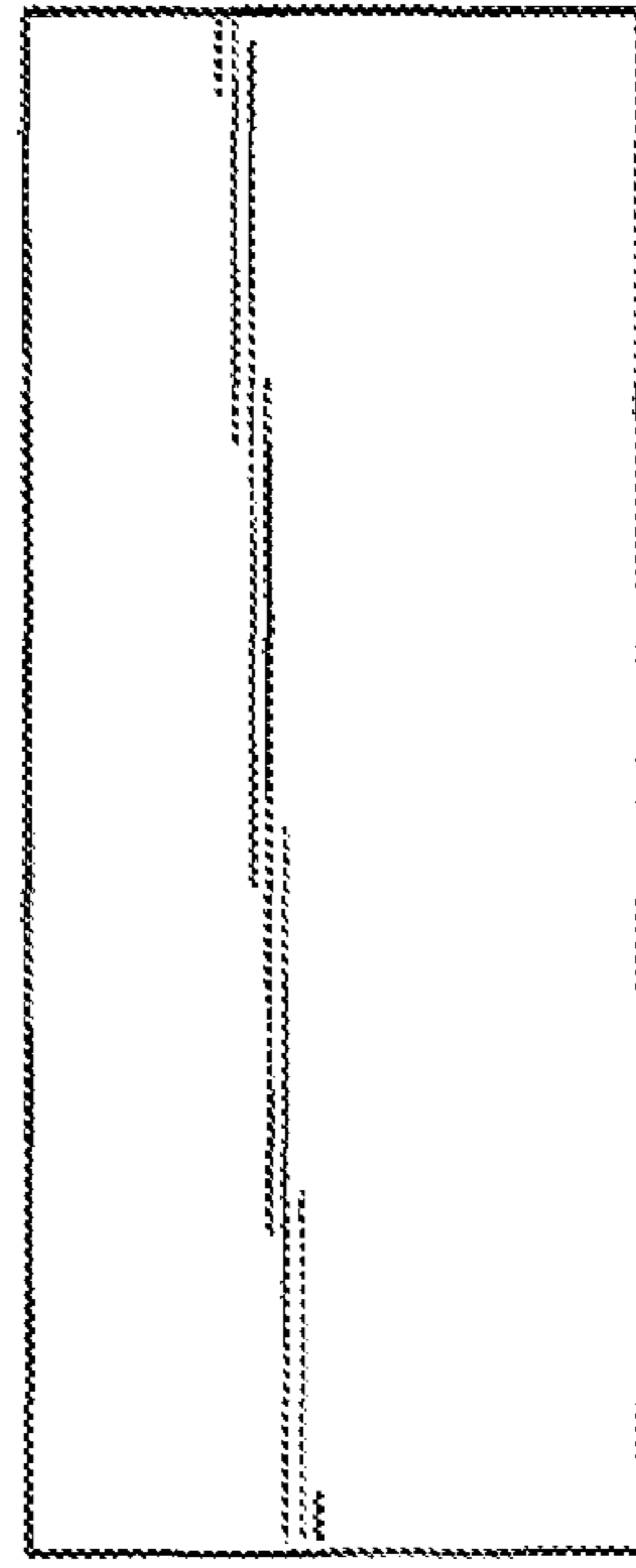


Fig.5.

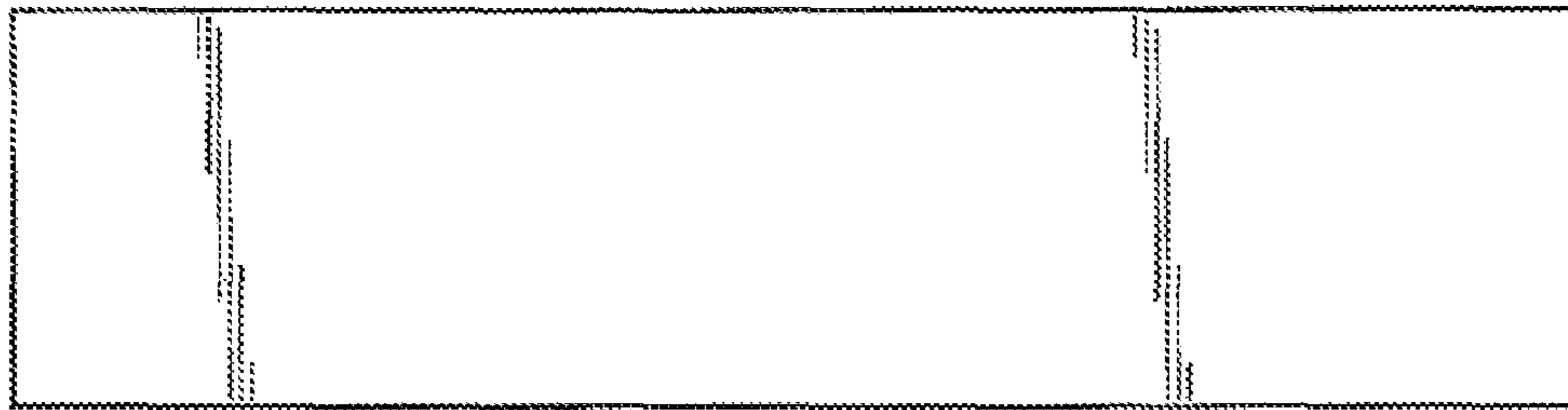


Fig.6.

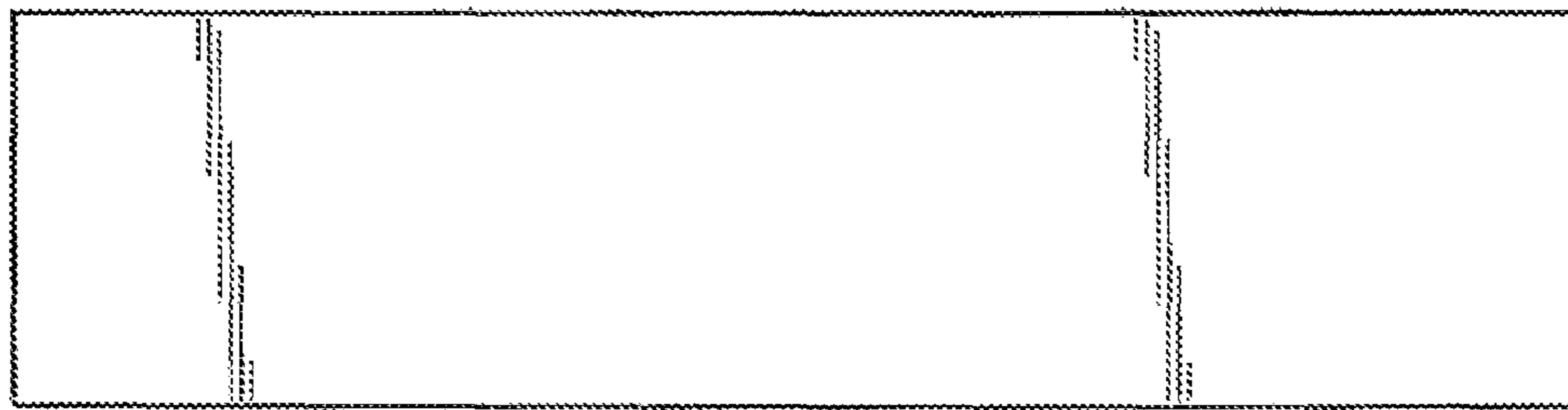


Fig.7.