



US00D632171S

(12) **United States Design Patent**  
**Grajcar et al.**

(10) **Patent No.:** **US D632,171 S**

(45) **Date of Patent:** **\*\* Feb. 8, 2011**

(54) **RE-USABLE LAMP PACKAGE**

(75) Inventors: **Zdenko Grajcar**, Crystal, MN (US);  
**Brian A. Babb**, Minneapolis, MN (US)

(73) Assignee: **Once Innovations, Inc.**, Plymouth, MN (US)

(\*\*) Term: **14 Years**

(21) Appl. No.: **29/342,542**

(22) Filed: **Aug. 27, 2009**

(51) **LOC (9) Cl.** ..... **09-03**

(52) **U.S. Cl.** ..... **D9/429**

(58) **Field of Classification Search** ..... D9/414-415,  
D9/418-419, 423-431, 450, 453, 502-503,  
D9/556, 558; D7/391, 509, 523, 531-532,  
D7/602, 605, 615, 629, 709; D3/203.4, 272,  
D3/273, 276, 294, 302, 312; 220/4.21-4.23,  
220/266, 380, 675, 780-781, 792; 206/459.5,  
206/407, 508-509, 519, 534; 229/906.1

See application file for complete search history.

(56) **References Cited**

**U.S. PATENT DOCUMENTS**

D223,999 S *	6/1972	Klotse	.....	D9/429
D229,169 S *	11/1973	Weiss	.....	D9/429
D230,387 S *	2/1974	Doman et al.	.....	D7/531
D246,227 S *	11/1977	Douglas	.....	D34/39
D265,628 S *	8/1982	Redaelli et al.	.....	D9/418
4,421,244 A *	12/1983	Van Melle	.....	220/781
D273,093 S *	3/1984	Lunden et al.	.....	D3/203.4
4,964,513 A *	10/1990	Ingram et al.	.....	206/459.5

(Continued)

**OTHER PUBLICATIONS**

“Bulbs.com Product Search—HPARRY0809—p. 1”, [online], [retrieved Mar. 3, 2008] Retrieved from Bulbs.com website using Internet <URL: [http://www.bulbs.com/results.aspx?affid=7&cm\\_mmc=yahoo-\\_-Brand-\\_-bulbs.com-\\_-bulbs.com&Ntk=all&Ntt=hparray0809&Ntx=mode+matchallpartial](http://www.bulbs.com/results.aspx?affid=7&cm_mmc=yahoo-_-Brand-_-bulbs.com-_-bulbs.com&Ntk=all&Ntt=hparray0809&Ntx=mode+matchallpartial)>. 1-3.

(Continued)

*Primary Examiner*—Susan E Krakower

(74) *Attorney, Agent, or Firm*—Thompson Patent Law Offices PC; Craig Thompson

(57) **CLAIM**

The ornamental design for a re-usable lamp package, as shown and described.

**DESCRIPTION**

FIG. 1 is an elevated front perspective view of a reusable lamp package showing our new design;

FIG. 2 is a front elevation view of the package of FIG. 1, the opposite rear view being a mirror image thereof;

FIG. 3 is a side elevation view of the package of FIG. 1, the opposite side being a mirror image thereof;

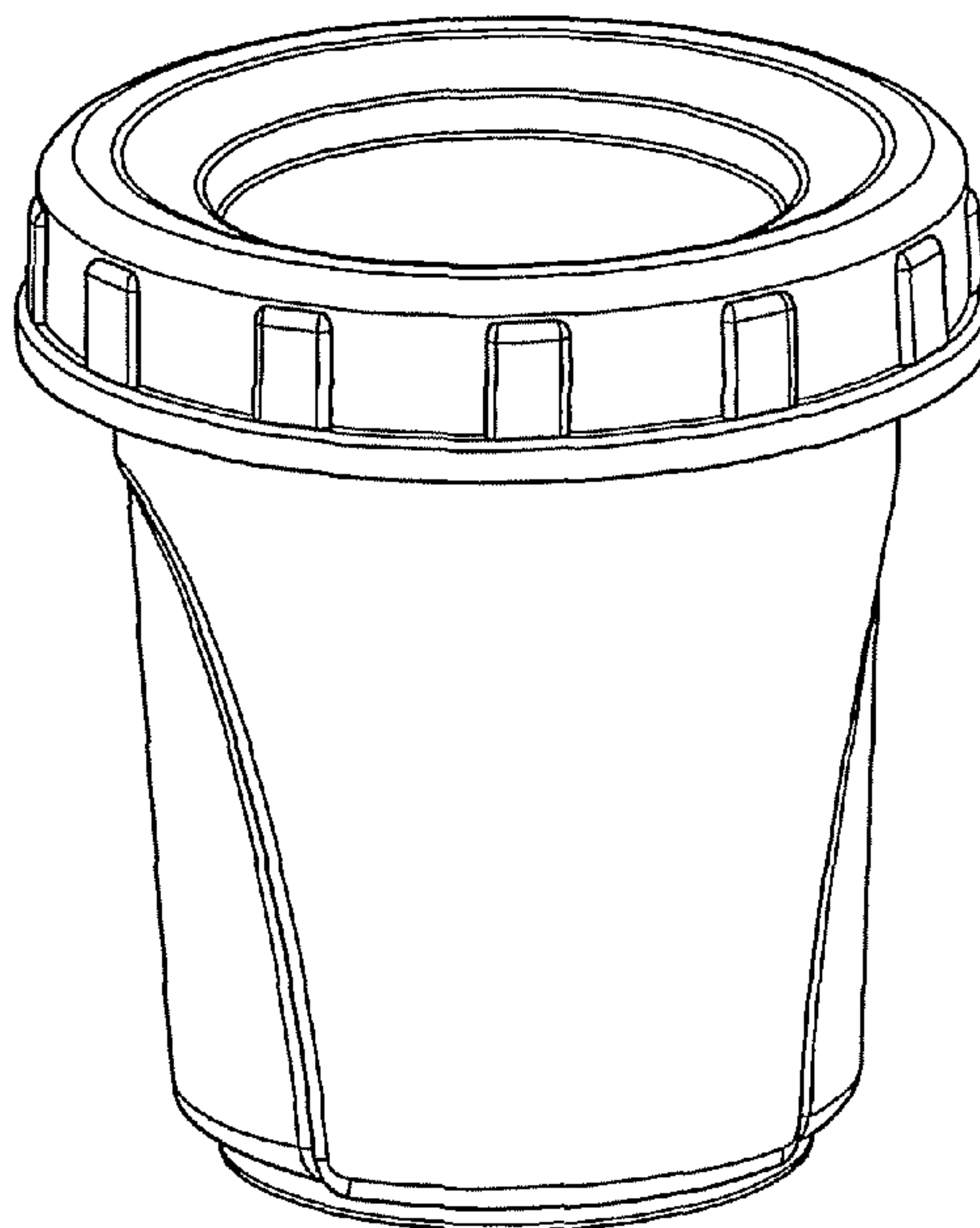
FIG. 4 is a top plan view of the package of FIG. 1; and,

FIG. 5 is a bottom plan view of the package of FIG. 1.

Environmental elements of the disclosure shown in broken lines form no part of the claimed design.

The claimed ornamental design is shown embodied on a package that has a re-closed lid. The package may be used, for example, to house for display in a retail environment a GU 10 style lamp. In an illustrative example, the package may be re-used in an environmentally friendly manner as an attractive container for a wide variety of items.

**1 Claim, 3 Drawing Sheets**





## U.S. PATENT DOCUMENTS

D312,400	S	*	11/1990	Schwaikert	.....	D9/424
D313,353	S	*	1/1991	Hart et al.	.....	D9/428
D328,862	S	*	8/1992	Janssen et al.	.....	D9/414
6,478,450	B1		11/2002	Grajcar		
D506,359	S	*	6/2005	Zettle et al.	.....	D7/629
D528,863	S	*	9/2006	Hayes et al.	.....	D7/523
D545,456	S		6/2007	Foo		
D545,618	S	*	7/2007	Zettle et al.	.....	D7/391
D561,917	S		2/2008	Tsao		
D568,498	S		5/2008	Degenhard et al.		
D581,555	S		11/2008	To et al.		
D584,569	S	*	1/2009	Buchman et al.	.....	D7/602
D590,075	S		4/2009	Grajcar		
D590,076	S		4/2009	Grajcar		
D590,077	S		4/2009	Grajcar		
D593,222	S		5/2009	To et al.		
D600,837	S		9/2009	Grajcar		
D601,276	S		9/2009	Grajcar		
D601,277	S		9/2009	Grajcar		
D601,279	S		9/2009	Ou et al.		
7,598,682	B2		10/2009	Grajcar		
D604,434	S		11/2009	Wada et al.		
D608,591	S	*	1/2010	Hillebrenner et al.	.....	D7/531
D610,723	S		2/2010	Grajcar		

## OTHER PUBLICATIONS

“Bulbs.com Product Search—HPARRY0809—p. 2”, [online], [retrieved Mar. 8, 2010] Retrieved from Bulbs.com website using Internet <URL: [http://www.bulbs.com/results.aspx?affid=7&cm\\_mmc=yahoo\\_-\\_Brand\\_-\\_bulbs.com\\_-\\_bulbs.com&Ntk=all&Ntt=hparray0809&Ntx=mode+matchallpartial](http://www.bulbs.com/results.aspx?affid=7&cm_mmc=yahoo_-_Brand_-_bulbs.com_-_bulbs.com&Ntk=all&Ntt=hparray0809&Ntx=mode+matchallpartial)>. 1-3.

“Grainger Troffer Lighting Fixtures”, [online], [retrieved on Mar. 13, 2010] Retrieved from Grainger.com using Internet <URL: <http://www.grainger.com/Grainger/wwg/search.shtml?searchQuery=troffer+lighting+fixtures&op=search&Ntt=troffer+lighting+fixtures&N=0&sst=subset>>. 1-3.

“Philips LED PAR30 Long Neck”, [online], [retrieved on Mar. 11, 2010] Retrieved from LightingSupply.com using Internet <URL: [https://www.lightingsupply.com/products/category\\_products.aspx?category=ec7dca17eec14750bfa8e9e301720fca](https://www.lightingsupply.com/products/category_products.aspx?category=ec7dca17eec14750bfa8e9e301720fca)>. 1.

“LED PAR30 Bulbs”, [online], [retrieved on Mar. 8, 2010] Retrieved from Polar-Ray.com using Internet <URL: [http://www.polar-ray.com/PAR30\\_c\\_76.html](http://www.polar-ray.com/PAR30_c_76.html)>. 1-2.

“PAR30 LED Light Bulbs”, [online], [retrieved Mar. 13, 2010] Retrieved from PanopticsLighting.com using Internet <URL: <http://shop.panopticslighting.com/par30-led-light-bulbs.aspx>>. 1-2.

“Philips 11PAR30L/END/F25/27K/120”, [online], [retrieved on Mar. 8, 2010] Retrieved from LightingSupply.com using Internet <URL: <https://www.lightingsupply.com/11PAR30L-END-F25-27K-120.aspx>>. 1.

“Pure Light LED bulbs”, [online], [retrieved on Mar. 8, 2010] Retrieved from LumiaBulbs.com using Internet <URL: <http://www.lumiabulbs.com/catalog/item/7179781/7361416.html>>. 1-2.

“2009 Store hours & contact information”, [online], [retrieved on Mar. 8, 2010] Retrieved from LumiaBulbs.com using Internet <URL: <http://www.lumiabulbs.com/contactinfo.html>>. 1-2.

“LED Screw Base Bulbs—PAR30, PAR20, PAR38, PAR16”, [online], [retrieved Mar. 8, 2010] Retrieved from EverBrightLights.com using Internet <URL: <http://www.everbrightlights.com/screw.html>>. 1-3.

“Huanqiu Led Lighting Co., Ltd.”, [online], [retrieved Mar. 13, 2010] Retrieved from HQLed.com using Internet <URL: [http://www.hqled.com/LED\\_Spotlight/HQ-PAR30-7001A.html](http://www.hqled.com/LED_Spotlight/HQ-PAR30-7001A.html)>. 1-2.

“Single Color LED PAR Lamp”, [online], [retrieved Mar. 8, 2010] Retrieved from China-LED-Manufacturer.com using Internet <URL: <http://www.china-led-manufacturer.com/china/led-lamps-single-color-led-par-lamp.htm>>. 1-2.

“LED Bulbs, Warm White, Tru White, PAR30”. [online], [retrieved Mar. 8, 2010] Retrieved from Ledtronics.com using Internet <URL: <http://www.ledtronics.com/media/PressReleases.aspx?pressID=1>>. 1.

“Lighting Science SoL LED Lamps: R20/R30/R38”, [online], [retrieved Mar. 11, 2010] Retrieved from Mouser.com using Internet <URL: <http://www.mouser.com/lightingsciencesolledlamps/>>. 1.

“High Power LED PAR30 Spotlight Bulb with Long Lifespan”, [online], [retrieved Mar. 13, 2010] Retrieved from GlobalMarket.com using Internet <URL: [http://www.globalmarket.com/product/High-Power--LED---PAR30--Spotlight-Bulb-with-Long-Lifespan\\_12739597.html](http://www.globalmarket.com/product/High-Power--LED---PAR30--Spotlight-Bulb-with-Long-Lifespan_12739597.html)>. 1.

“China LED Lamp, Shenzhen Manufacturer”, [online], [retrieved Mar. 13, 2010] Retrieved from Illusion.Manufacturer.GlobalSources.com using Internet <URL: <http://illusion.manufacturer.globalsources.com/si/6008825673216/pdtl/LED-bulb/1008760639/LED-Lamp.htm>>. 1-2.

“LED PAR30 Light 7\*1—China par30, 7\*1”, [online], [retrieved Mar. 13, 2010] Retrieved from BernalLED.en.Made-In-China.com using Internet <URL: <http://bernaled.en.made-in-china.com/product/QbsmohDKXIWU/China-LED-PAR30-Light-7-1w.html>>. 1-2.

“PAR30 high power LED spotlamp”, [online], [retrieved Mar. 8, 2010] Retrieved from www.DIYTrade.com using Internet <URL: [http://www.diytrade.com/china/4/products/5102507/PAR30\\_LED\\_bulb.html](http://www.diytrade.com/china/4/products/5102507/PAR30_LED_bulb.html)>. 1-3.

“PAR30 LED Lamp—Detailed info for PAR30 LED Lamp”, [online], [retrieved Mar. 13, 2010] Retrieved from HonestLighting.en.Alibaba.com using Internet <URL: [http://honestlighting.en.alibaba.com/product/272812942-209423033/PAR30\\_LED\\_lamp.html](http://honestlighting.en.alibaba.com/product/272812942-209423033/PAR30_LED_lamp.html)>. 1-3.

“GU20 LED Lamp—Detailed info for GU10 LED Lamp”, [online], [retrieved Mar. 13, 2010] Retrieved from HonestLighting.en.Alibaba.com using Internet <URL: [http://honestlighting.en.alibaba.com/product/259657006-209423033/GU10\\_LED\\_Lamp.html](http://honestlighting.en.alibaba.com/product/259657006-209423033/GU10_LED_Lamp.html)>. 1-3.

“enLux Lighting—R30F Floodlight”, [online], [retrieved Mar. 13, 2010] Retrieved from EnluxLED.com using Internet <URL: [http://www.enluxled.com/r30f\\_floodlight](http://www.enluxled.com/r30f_floodlight)>. 1-2.

“Eco-Story—Par-30 LED Lightbulbs”, [online], [retrieved Mar. 8, 2010] Retrieved from FoodServiceWarehouse.com using Internet <URL: <http://www.foodservicewarehouse.com/eco-story/par-30/p345404.aspx>>. 1-2.

“Dimmable LED Light Bulb—PAR30/65-75 Watt Compatible”, [online], [retrieved Mar. 13, 2010] Retrieved from EarthTechProducts.com using Internet <URL: <http://www.earthtechproducts.com/dimmable-led-light-bulb-par30.html>>. 1-2.

“Par 30 LED Bulb Flood Light Replacement”, [online], [retrieved Mar. 8, 2010] Retrieved from LC-LED.com using Internet <URL: <http://www.lc-led.com/View/itemNumber/358>>. 1.

“LED Light Bulbs, E27 Screw base”, [online], [retrieved Mar. 8, 2010] Retrieved from TheLEDLight.com using Internet <URL: <http://www.theledlight.com/EO-PAR30L.html>>. 1-3.

\* cited by examiner

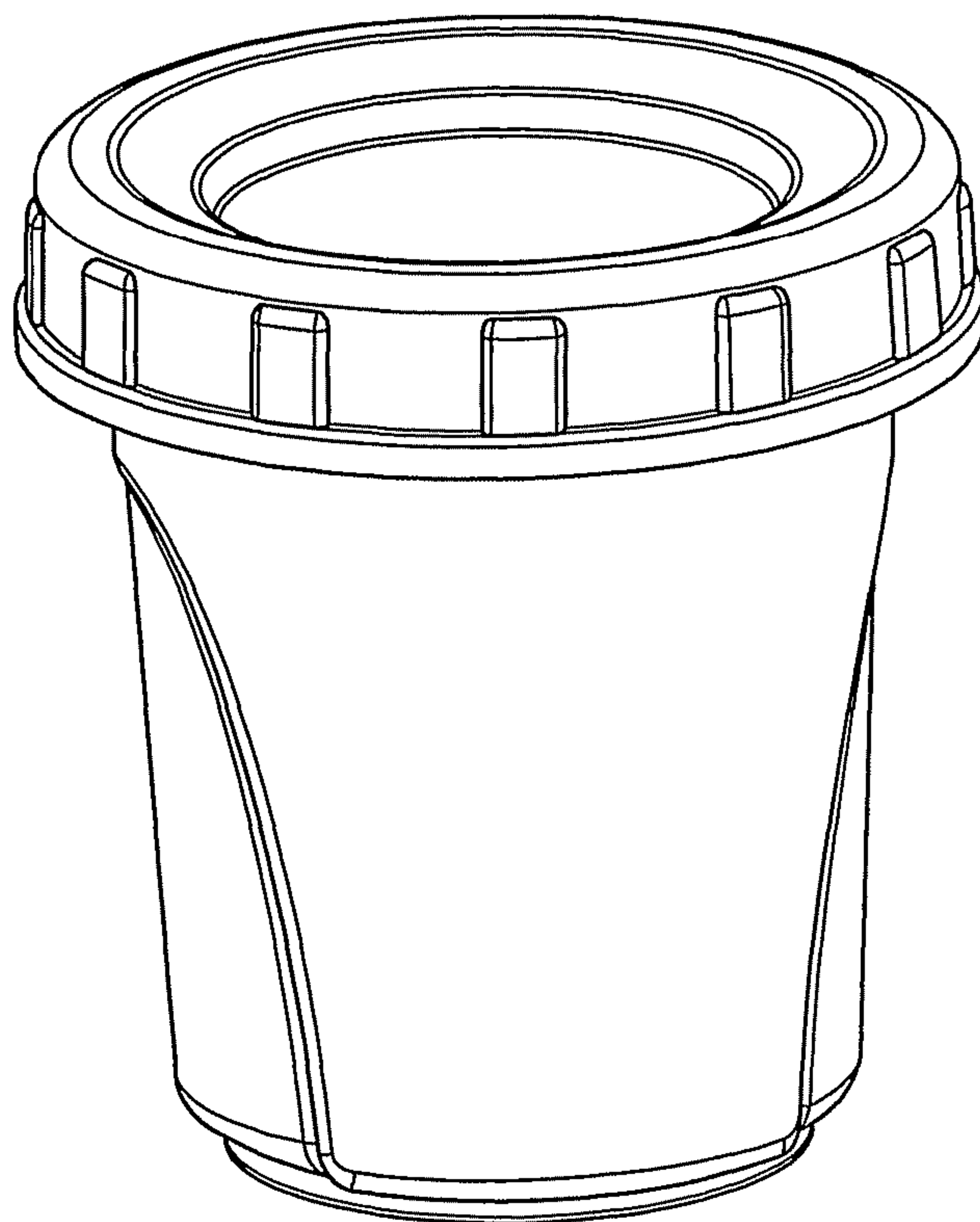


FIG. 1

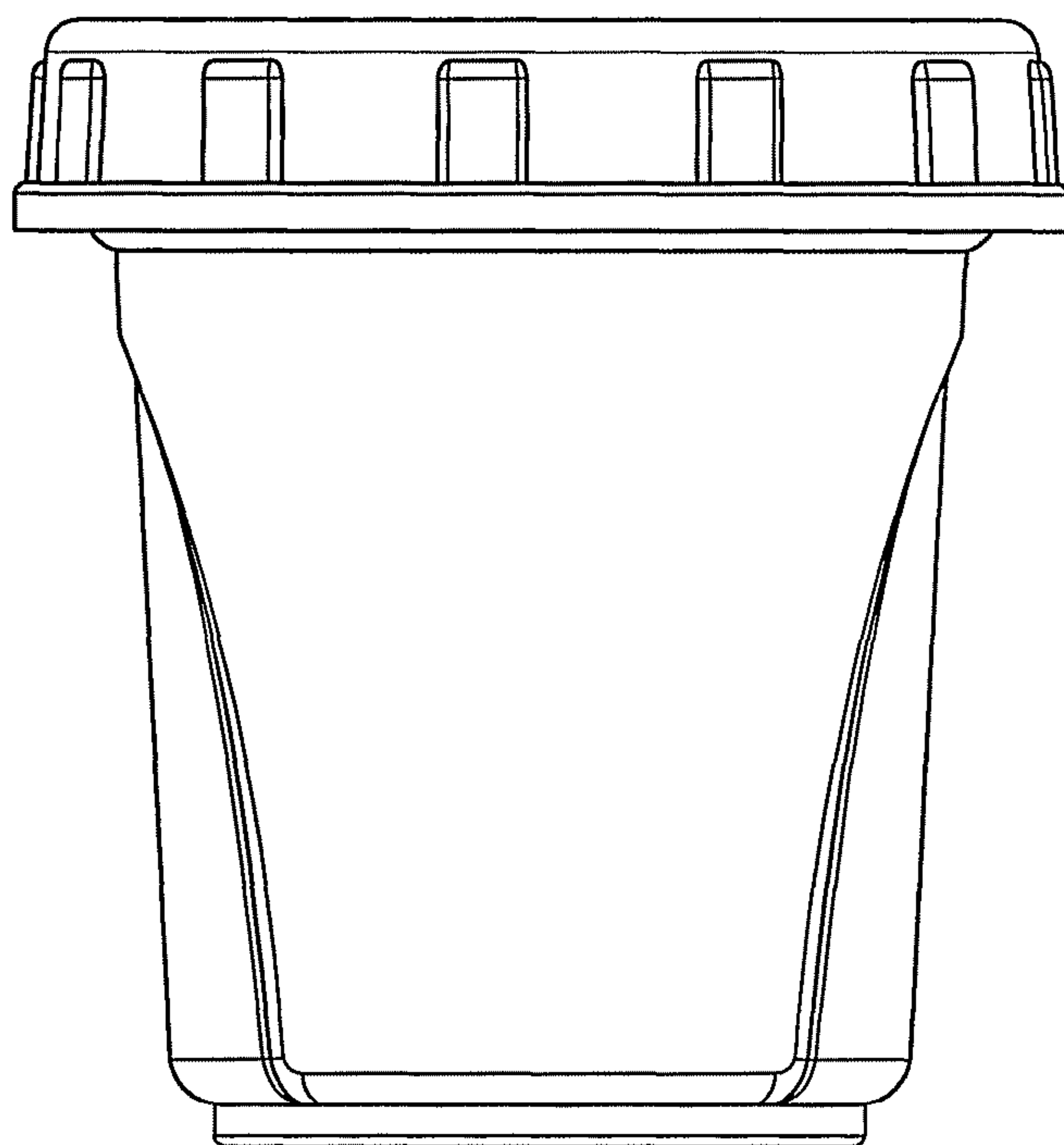


FIG. 2

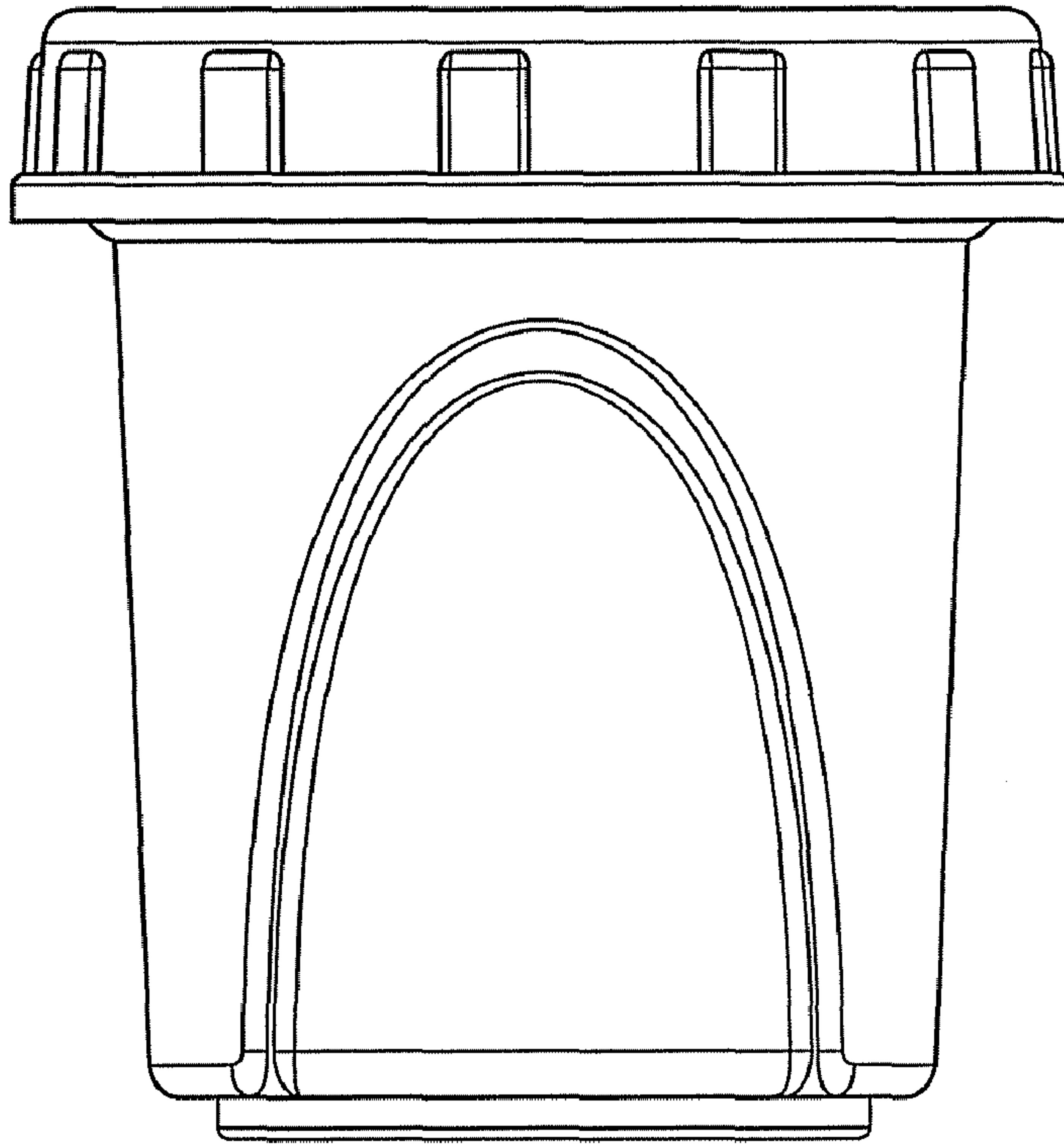


FIG. 3

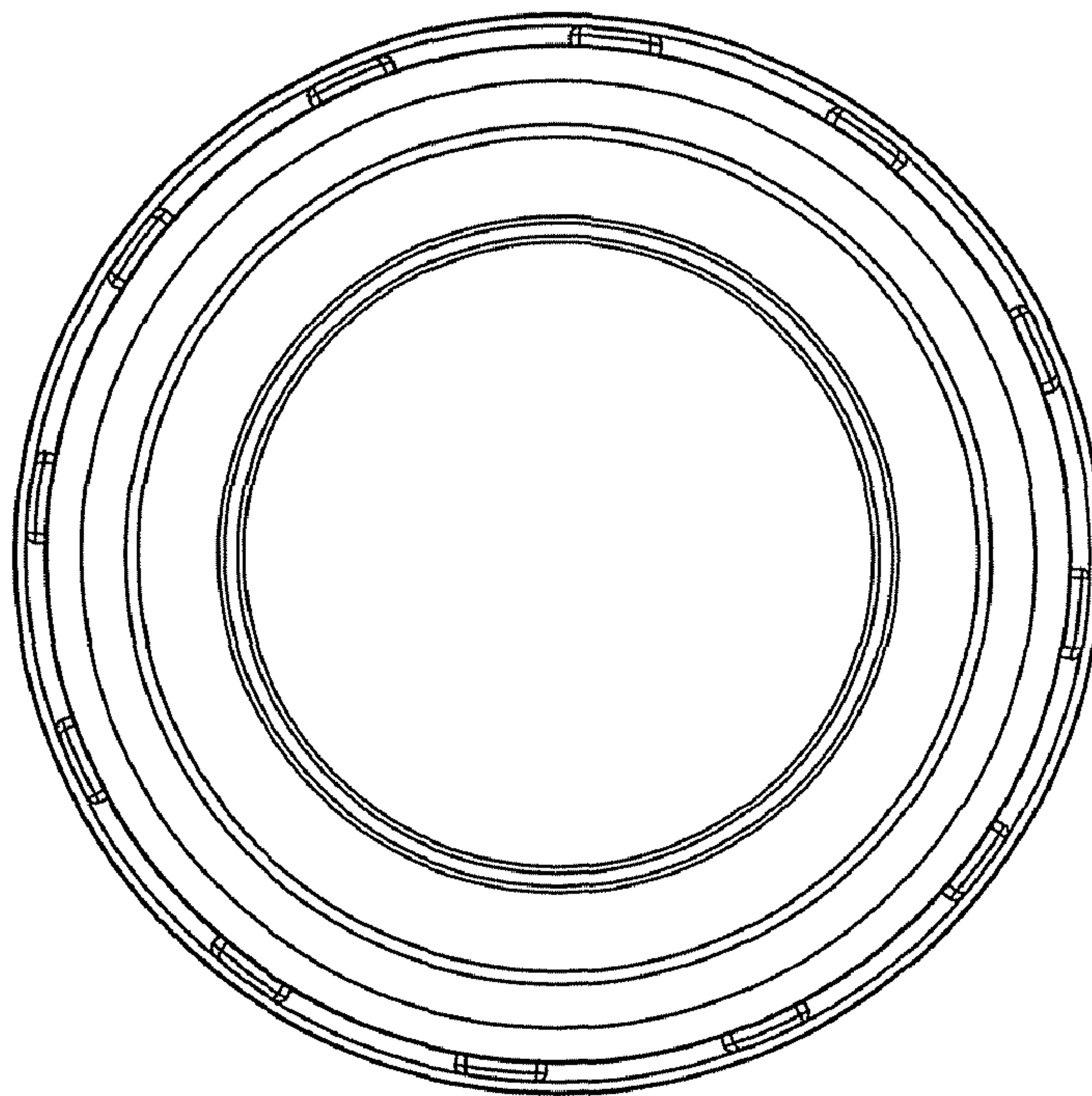


FIG. 4



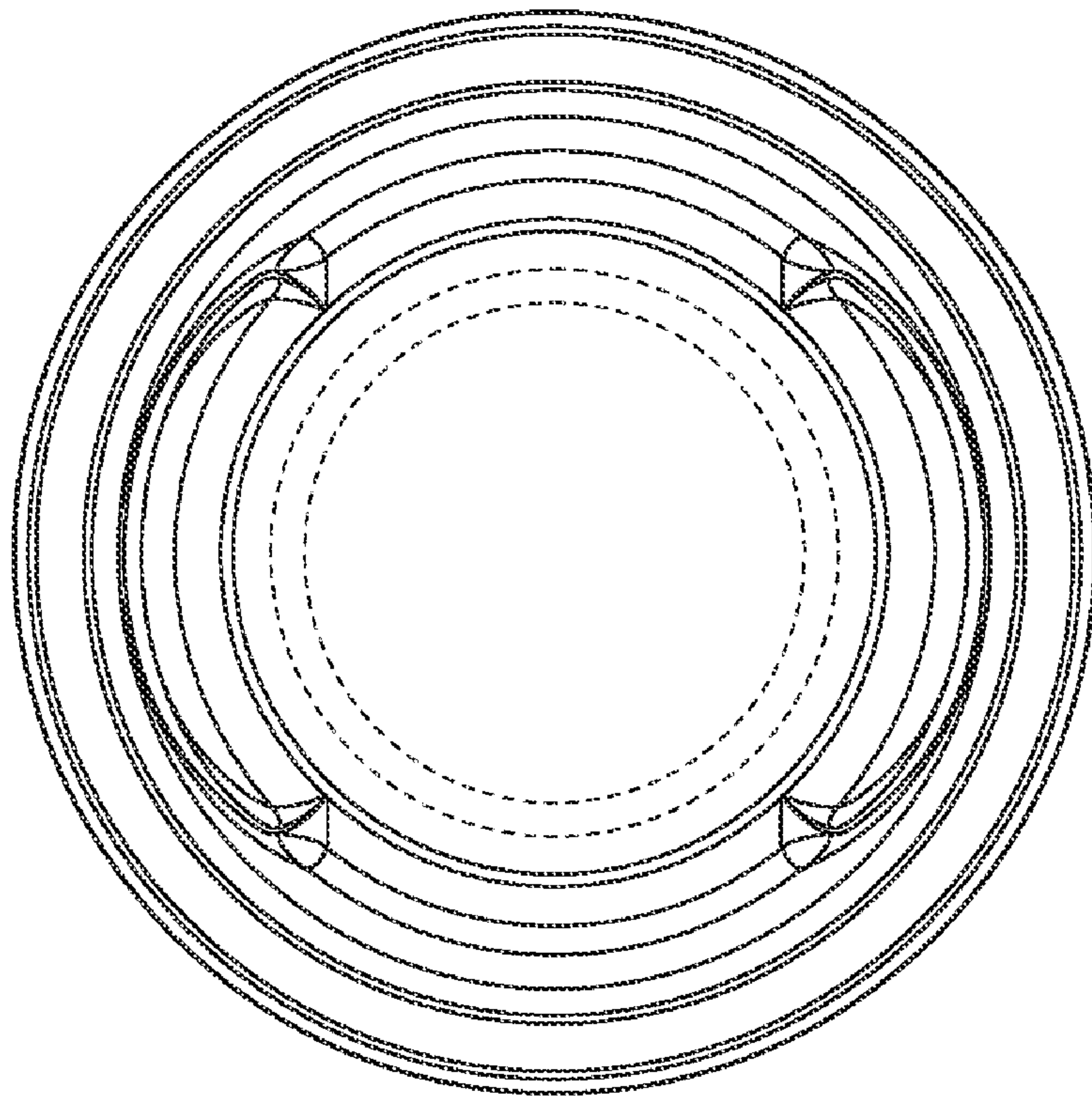


FIG. 5